

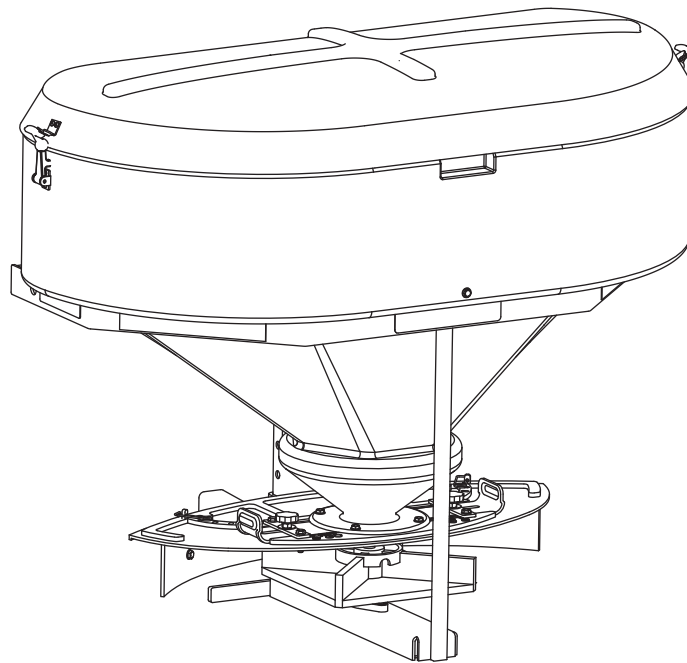
August 15, 2011
Lit. No. 96074, Rev. 05



Low-Profile Tailgate Spreader

**96051, 96051-1
Model 2500**

Owner's Manual
Original Instructions



⚠ CAUTION

**Read this manual before installing or
operating the spreader.**

This manual is for WESTERN® Model 2500 Low-Profile Tailgate Spreaders with serial numbers beginning with 080612–110817.

This manual supersedes all editions with an earlier date.

SPREADER OWNER DATA SHEET

Register your spreader online at www.westernplows.com

Owner Name: _____

Date Purchased: _____

Dealer Name: _____ Phone: _____

Dealer Address: _____

Vehicle Model/Year: _____

Spreader Type/Size (Model): _____ Weight: _____ lb/kg

Spreader Serial Number: _____

TABLE OF CONTENTS

SPREADER OWNER DATA SHEET	3	Adjusting the Gates and the Deflector	15
PREFACE	6	Variable Speed (PWM) Control.....	16
SAFETY INFORMATION	7	Starting and Stopping the Motor	16
Safety Definitions	7	Adjusting the Spinner Speed	16
Safety Precautions.....	7	Blast/Maximum Speed	16
Fuses	8	Diagnostic Indicator Light	16
Personal Safety.....	8	ON/OFF Control.....	17
Fire and Explosion	8	Starting and Stopping the Motor	17
Cell Phones.....	8	Blast/Maximum Speed	17
Ventilation	8	REMOVING THE SPREADER	18
Battery Safety	8	Removing the Receiver Mount Spreader.....	18
Noise.....	8	MAINTENANCE	19
Vibration.....	8	Preseason Check.....	19
Torque Chart.....	9	After Each Use.....	19
Warning and Caution Labels	10	Postseason Maintenance.....	19
Serial Number Label	11	Drive Belt Replacement	20
LOADING	12	Fuse Replacement.....	20
Certification.....	12	Recycle	20
Approximate Material Weights	12	Bearing and Set Screw Maintenance	20
MOUNTING THE SPREADER	13	4-PIN HARNESS WIRING DIAGRAM	21
Receiver Mount Spreader	13	TROUBLESHOOTING GUIDE	22
Anti-Wobble Clamp Installation.....	13		
OPERATING THE SPREADER	14		
Driving and Spreading on Snow and Ice	14		

PREFACE

This manual has been prepared to acquaint you with the safety information, operation and maintenance of your new spreader. Please read this manual carefully and follow all recommendations. This will help ensure profitable and trouble-free operation of your spreader. Keep this manual accessible. It is a handy reference in case minor service is required.

When service is necessary, bring your spreader to your local dealer. They know your spreader best and are interested in your complete satisfaction.

NOTE: This spreader is designed to spread snow and ice-control materials only. Do not use it for purposes other than those specified in this manual.

SAFETY INFORMATION

SAFETY DEFINITIONS

WARNING

Indicates a potentially hazardous situation that, if not avoided, could result in death or serious personal injury.

CAUTION

Indicates a potentially hazardous situation that, if not avoided, may result in minor to moderate injury. It may also be used to alert against unsafe practices.

NOTE: Indicates a situation or action that can lead to damage to your spreader and vehicle or other property. Other useful information can also be described.

SAFETY PRECAUTIONS

Park the vehicle on a level surface, place shift lever in PARK or NEUTRAL and set the parking brake. Turn OFF the engine and remove keys.

WARNING

- Driver to keep bystanders minimum of 25 feet away from operating spreader.
- Before working with the spreader, secure all loose-fitting clothing and unrestrained hair.
- Before operating the spreader, verify all safety guards are in place.
- Before servicing the spreader, wait for conveyor or spinner to stop, then lock out power.
- Do not climb into or ride on spreader.

WARNING



Overloading could result in an accident or damage. Do not exceed GVWR or GAWR ratings as found on the driver-side vehicle door cornerpost. See Loading section to determine maximum volumes of spreading material.

WARNING

Do not install the control for this product in the deployment path of an air bag. Refer to vehicle manufacturer's manual for air bag deployment area(s).

CAUTION

If rear directional, CHMSL light or brake stoplights are obstructed by the spreader, the lights shall be relocated, or auxiliary directional or brake stoplights shall be installed.

CAUTION

During the hopper installation we recommend the addition of an OSHA compliant Backup Alarm. This alarm is required for OSHA governed employers.

CAUTION

- Do not operate a spreader in need of maintenance.
- Before operating the spreader, reassemble any parts or hardware removed for cleaning or adjusting.
- Before operating the spreader, remove materials such as cleaning rags, brushes and hand tools from the spreader.
- While operating the spreader, use auxiliary warning lights, except when prohibited by law.
- Tighten all fasteners according to the Torque Chart. Refer to Torque Chart for the recommended torque values.

CAUTION

Disconnect electric and/or hydraulic power and tag out if required before servicing or performing maintenance.

CAUTION



DO NOT leave unused material in hopper. Material can freeze or solidify, causing unit to not work properly. Empty and clean after each use.

NOTE: Lubricate grease fittings after each use. Use a good quality multipurpose grease.

SAFETY INFORMATION

FUSES

The electrical system contains automotive blade-style fuses. If a problem should occur and fuse replacement is necessary, the replacement fuse must be of the same type and amperage rating as the original. Installing a fuse with a higher rating can damage the system and could start a fire. Fuse Replacement, including fuse ratings and locations, is located in the Maintenance section of this Owner's Manual.

PERSONAL SAFETY

- Remove ignition key and put the vehicle in park or in gear to prevent others from starting the vehicle during installation or service.
- Wear only snug-fitting clothing while working on your vehicle or spreader.
- Do not wear jewelry or a necktie, and secure long hair.
- Wear safety goggles to protect your eyes from battery acid, gasoline, dirt and dust.
- Avoid touching hot surfaces such as the engine, radiator, hoses and exhaust pipes.
- Always have a fire extinguisher rated BC handy, for flammable liquids and electrical fires.

FIRE AND EXPLOSION

Be careful when using gasoline. Do not use gasoline to clean parts. Store only in approved containers away from sources of heat or flame.

CELL PHONES

A driver's first responsibility is the safe operation of the vehicle. The most important thing you can do to prevent a crash is to avoid distractions and pay attention to the road. Wait until it is safe to operate Mobile Communication Equipment such as cell phones or two-way radios.

VENTILATION

⚠ WARNING

Vehicle exhaust contains lethal fumes. Breathing these fumes, even in low concentrations, can cause death. Never operate a vehicle in an enclosed area without venting exhaust to the outside.

BATTERY SAFETY

⚠ CAUTION

Batteries normally produce explosive gases, which can cause personal injury. Therefore, do not allow flames, sparks, or lit tobacco to come near the battery. When charging or working near a battery, always cover your face and protect your eyes, and also provide ventilation.

- **Batteries contain sulfuric acid, which burns skin, eyes and clothing.**
- **Disconnect the battery before removing or replacing any electrical components.**

NOISE

Airborne noise emission during use is below 70 dB(A) for the spreader operator.

VIBRATION




Operating spreader vibration does not exceed 2.5 m/s² to the hand-arm or 0.5 m/s² to the whole body.

SAFETY INFORMATION

TORQUE CHART

⚠ CAUTION

Read instructions before assembling. Fasteners should be finger tight until instructed to tighten according to torque chart. Use standard methods and practices when attaching spreader including proper personal protective safety equipment.

Recommended Fastener Torque Chart (ft-lb)			
Size	Torque		
	 SAE Grade 2	 SAE Grade 5	 SAE Grade 8
1/4-20	6	9	13
5/16-18	11	18	28
3/8-16	19	31	46
3/8-24	24	46	68
7/16-14	30	50	75
1/2-13	45	75	115
9/16-12	66	110	165
5/8-11	93	150	225
3/4-10	150	250	370
7/8-9	150	378	591
1-8	220	583	893
Metric Grade 8.8 (ft-lb)			
Size	Torque	Size	Torque
M 6	7	M 12	60
M 8	17	M 14	95
M 10	35	M 16	155
These torque values apply to fasteners except those noted in the instruction.			

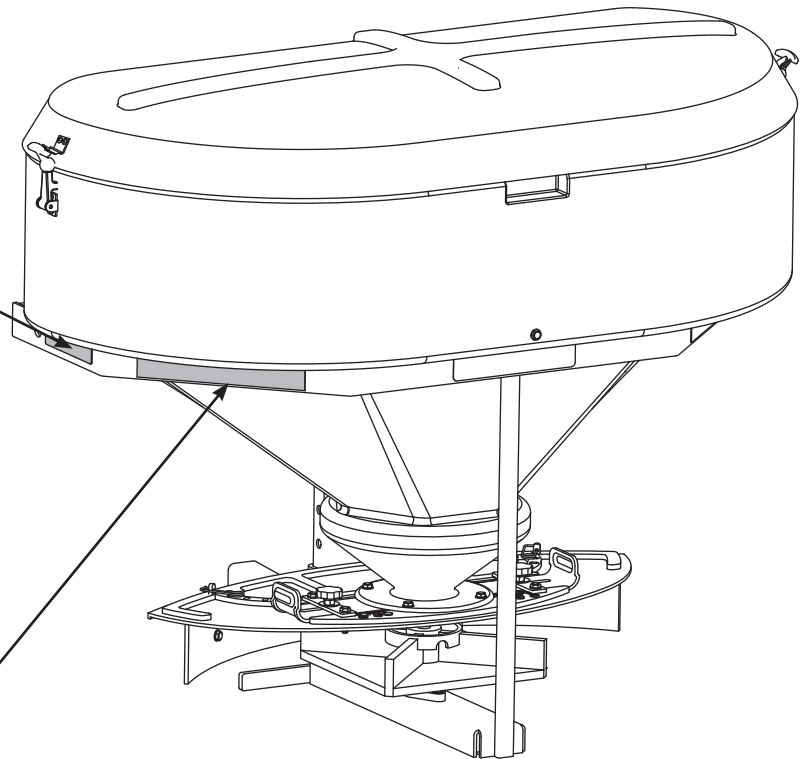
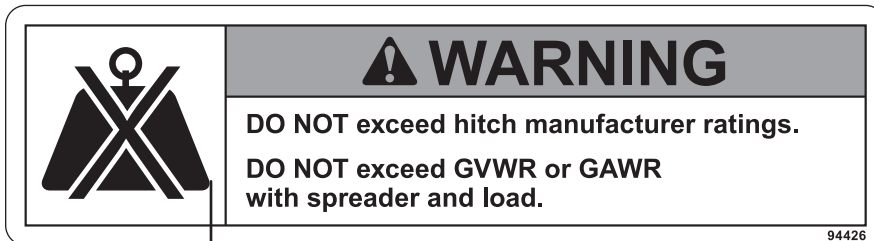
SAFETY INFORMATION

WARNING/CAUTION LABELS

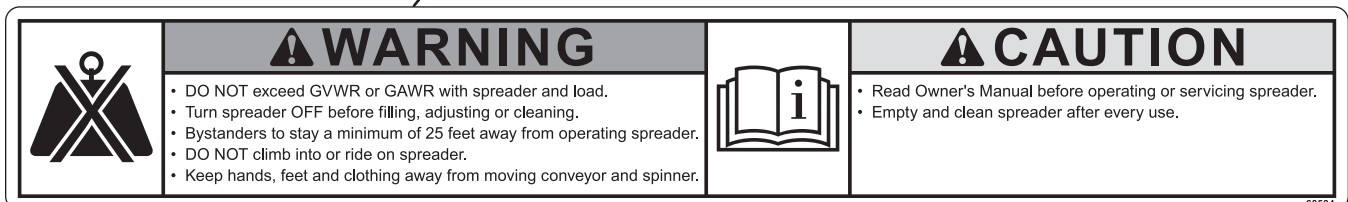
Please become familiar with the Warning and Caution labels on the spreader.

NOTE: If labels are missing or cannot be read, see your sales outlet.

Warning Label

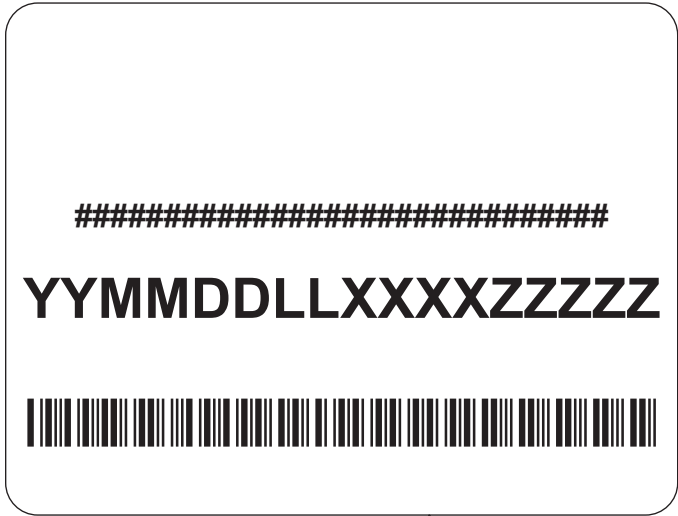


Warning/Caution Label

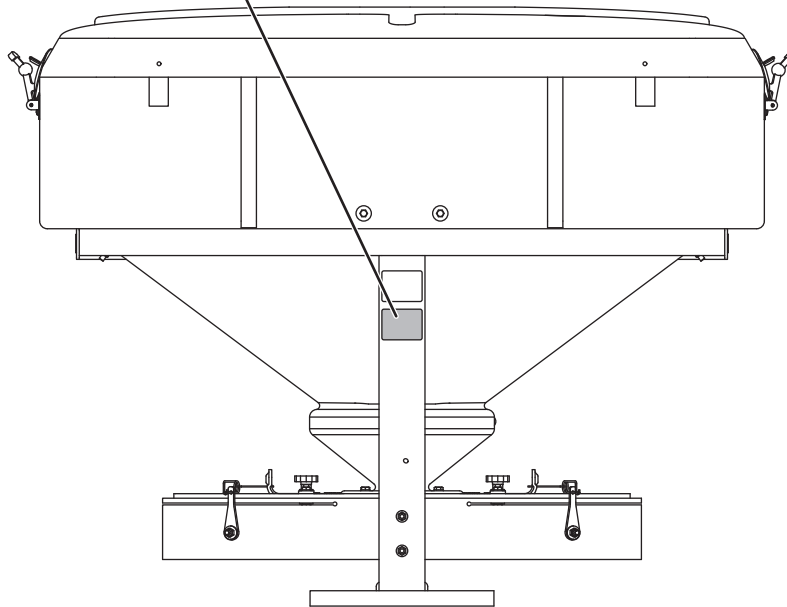


SAFETY INFORMATION

SERIAL NUMBER LABEL



Code	Definition
YY	2-Digit Year
MM	2-Digit Month
DD	2-Digit Day
LL	2-Digit Location Code
XXXX	4-Digit Sequential Number
ZZZZ	5-Digit Assembly PN



LOADING

This manual covers vehicles that have been recommended for carrying the spreader. Please see your local dealer for proper vehicle applications.

CERTIFICATION

⚠ WARNING

New untitled vehicle installation of a spreader requires National Highway Traffic Safety Administration altered vehicle certification labeling. Installer to verify that struck load of snow or ice control material does not exceed GVWR or GAWR rating label and complies with FMVSS.

⚠ WARNING

Overloading could result in an accident or damage. Do not exceed GVWR or GAWR ratings as found on the driver-side vehicle door cornerpost.

NOTE: If spreader and ice control material loading is in doubt, weigh vehicle for compliance with vehicle ratings.

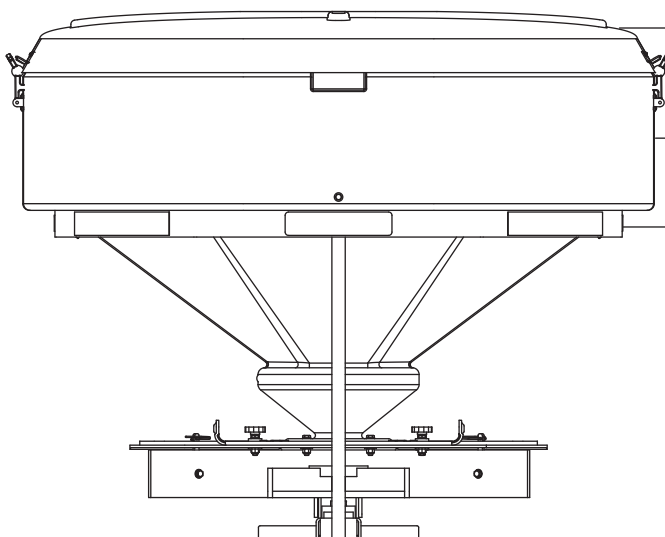
NOTE: Use only dry, free-flowing granular materials with this spreader. Damp or wet ice-control materials and other products may not spread properly.

APPROXIMATE MATERIAL WEIGHTS

⚠ CAUTION



Read and adhere to manufacturer's ice-control material package labeling, including Material Safety Data Sheet requirements.



Cu Ft	Material Weight*	Base Weight	Approximate Total Weight
8.51	340 lb	125 lb	465 lb
5.15	206 lb	125 lb	331 lb
2.02	81 lb	125 lb	206 lb

*Salt = 40 lb/ft³ (avg.)

Very Coarse = 35 lb/ft³

Coarse = 45 lb/ft³

Fine = 50 lb/ft³

Recalculate weights based on type of material being spread.

MOUNTING THE SPREADER

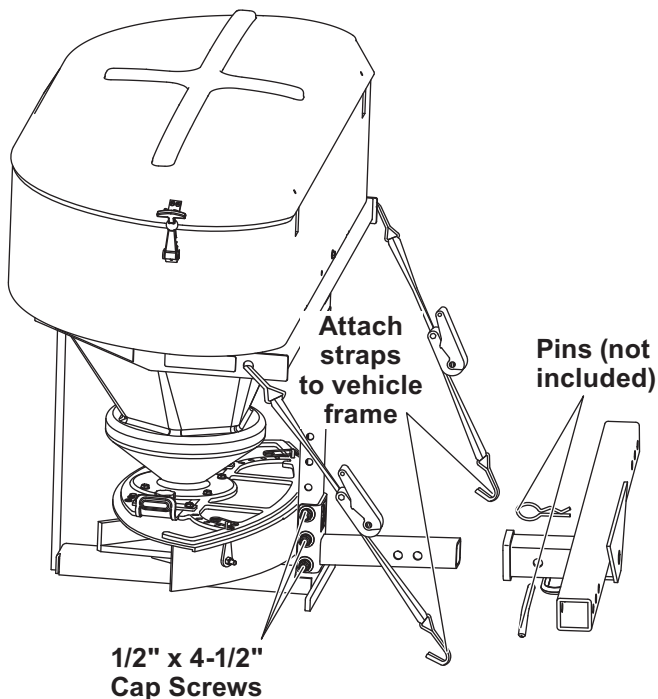
RECEIVER MOUNT SPREADER

⚠ CAUTION

During removal or mounting, securely grip spreader to avoid dropping.

NOTE: The spreader shall be installed according to instructions supplied. Your local outlet is trained to provide this service and service your spreader with factory original parts.

1. Attach the spreader to the receiver mount with three 1/2" x 4-1/2" cap screws.

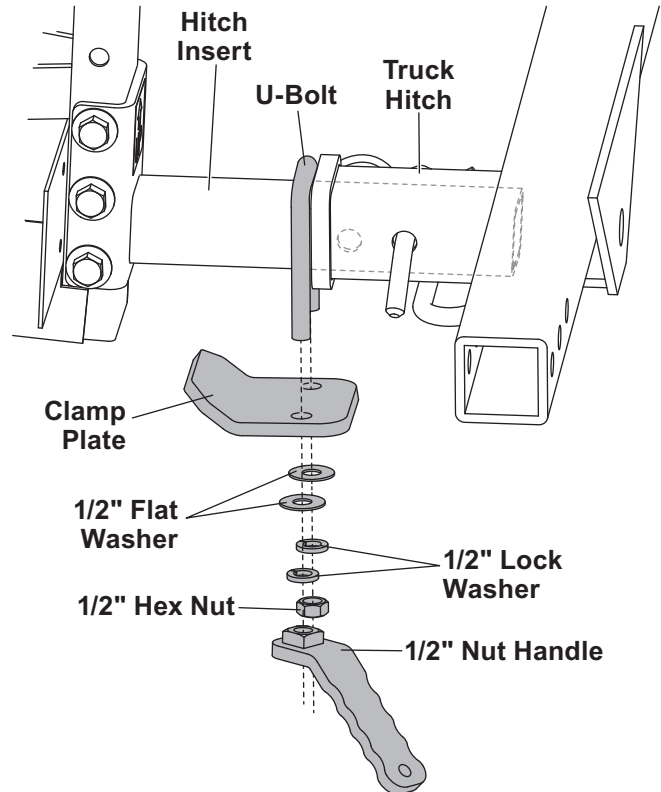


2. Insert the assembled unit into the receiver hitch and secure with pin (not included).
3. Use the supplied ratchet straps to secure the assembly to the vehicle frame.

Attaching the straps to the vehicle bumper or tailgate may result in vehicle or spreader damage.

ANTI-WOBBLE CLAMP INSTALLATION

1. Place the U-bolt over the drawbar. Slide the U-bolt tight to the truck hitch.



2. Install the clamp plate with the bend toward the spreader unit. The flat of the clamp plate is to sit on the truck hitch.
3. Install a flat washer, lock washer and nut onto one leg of the U-bolt. Tighten by hand until the clamp plate is slightly cocked.
4. Install a flat washer, lock washer and nut handle onto the other leg of the U-bolt. Tighten until the clamp is tight and the hopper is secure.
5. Retighten nut handle after five hours of use.

The Anti-Wobble Clamp Assembly is designed for use only with this spreader.

OPERATING THE SPREADER

DRIVING AND SPREADING ON SNOW AND ICE

⚠ CAUTION

Drinking and then driving or spreading is very dangerous. Your reflexes, perceptions, attentiveness and judgement can be affected by even a small amount of alcohol. You can have a serious or even fatal collision if you drive after drinking. Please do not drink then drive or spread ice-control materials.

Follow your vehicle owner's manual instructions for driving in snow and ice conditions. Remember, when you drive on snow or ice, your wheels will not get good traction. You cannot accelerate as quickly, turning is more difficult and you will need longer braking distance. Wet and hard-packed snow or ice offers the worst tire traction. It is very easy to lose control. You will have difficulty accelerating. If you do get moving, you may have poor steering and difficult braking, which can cause you to slide out of control.

Here are some tips for driving in these conditions:

- Drive defensively.
- Do not drink, then drive or spread ice control materials.
- Spread or drive only when you have good visibility for operating a vehicle.
- If you cannot see well due to snow or icy conditions, you will need to slow down and keep more space between you and other vehicles.
- Slow down, especially on higher speed roads. Your headlamps can light up only so much road ahead.
- If you are tired, pull off in a safe place and rest.
- The spreader's size and location reduce driver visibility to the rear of the vehicle. We recommend OSHA compliant backup alarm for all governed employers.
- Keep your windshield and all glass on your vehicle clean to see around you.
- Dress properly for the weather. Wear layers of clothing. As you get warm you can take off layers.

OPERATING THE SPREADER

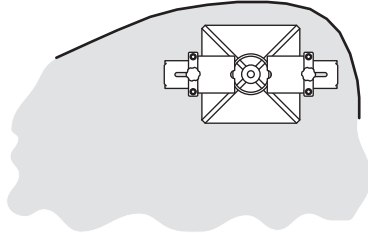
ADJUSTING THE GATES AND THE DEFLECTOR

Spread pattern, pattern width and the amount of material dispensed are dependent on the spinner speed, gate position and deflector position.

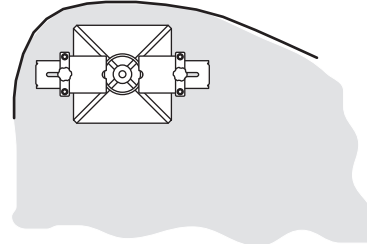
⚠ WARNING

Before making any adjustments to the gate/deflector settings, turn the spreader OFF. Wait for all conveyor or spinner movement to stop.

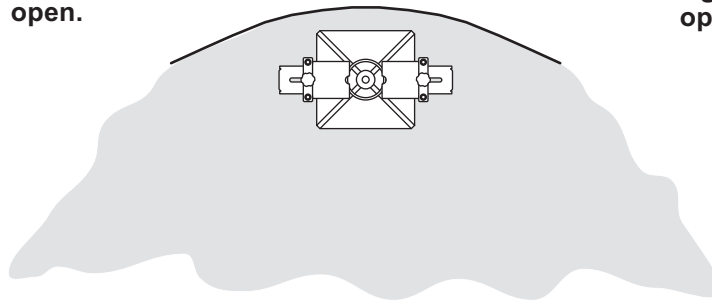
Deflector Effect



Driver's side open.

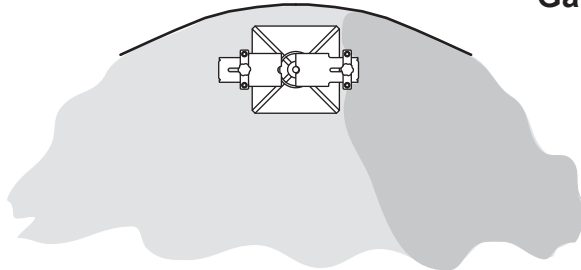


Passenger's side open.

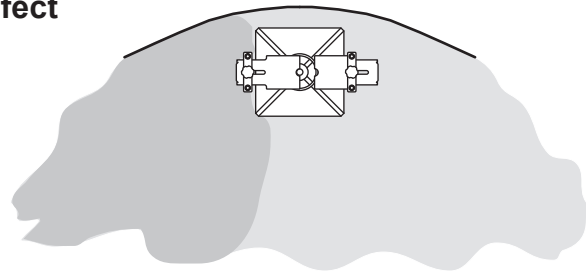


Both sides open.

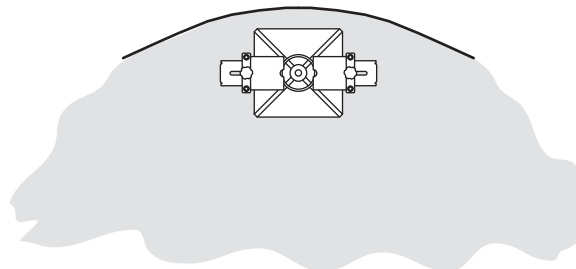
Gate Effect



**Passenger-side gate closed.
Heavy on passenger's side.**



**Driver-side gate closed.
Heavy on driver's side.**

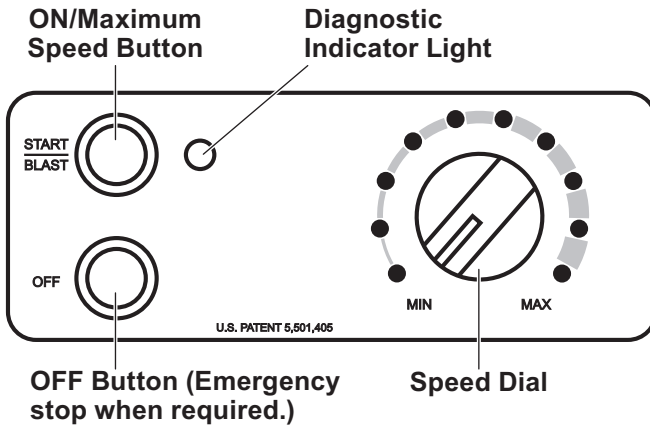


Both gates open.

OPERATING THE SPREADER

There are two control options: the Variable Speed (PWM) Control and the ON/OFF Control.

VARIABLE SPEED (PWM) CONTROL



WARNING
 Before starting the spreader, the driver shall verify all bystanders are a minimum of 25 feet away from operating spreader.

Starting and Stopping the Motor

- To start the spreader motor, press the START/BLAST button and release. Both the START/BLAST and OFF buttons will be backlit when the motor is running. The spreader will operate at the speed selected on the speed dial.
- Press the OFF button to stop the motor.

The OFF button operates as an emergency stop when required.

NOTE: The truck ignition must be ON to start the spreader.

NOTE: If the truck ignition is turned OFF while the spreader is running, the motor will stop.

Adjusting the Spinner Speed

The speed setting can be adjusted when the spreader is either ON or OFF.

- Turn the speed dial clockwise. The speed will increase as the number of green LEDs illuminated on the speed dial increase.

- Turning the speed dial counterclockwise will decrease the speed.

Blast/Maximum Speed

- Press and hold the START/BLAST button as long as maximum speed is needed.
- Release the button when maximum speed is no longer needed. The control automatically returns to the "ON" position and the speed shown on the speed dial.

NOTE: When blast is used, the speed dial does not move to the maximum speed setting, but remains at the preset speed.

Diagnostic Indicator Light

The diagnostic indicator light located to the right of the START/BLAST button remains dark unless a problem with the motor or wiring is detected. The light will flash a number of flashes in a row, pause, then repeat. Count the flashes to determine the nature of the malfunction and refer to the diagnostic chart below.

# of Flashes	Problem	Possible Causes
0	No Fault	–
2	No Power	Battery fuse is blown, or battery cable is disconnected or faulty.
3	No Motor	Motor is disconnected.
4	No Ground	Spreader harness ground is disconnected or faulty.
5	Overheated	Motor OFF due to controller overheat, possibly due to frozen or jammed spreader.
6	Excess Current	Over 35A for more than 1–2 seconds. (Higher overloads are allowed for shorter periods of time.)

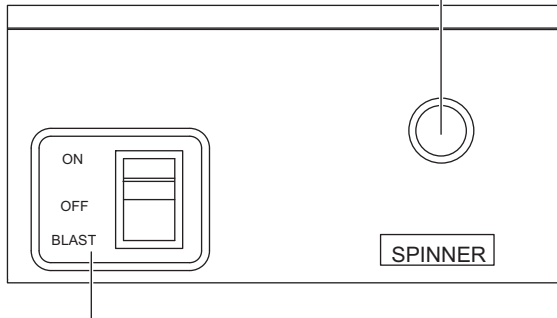
If additional information is needed, refer to the Troubleshooting section of this manual.

NOTE: Always place the cover on the hopper to prevent moisture buildup. Do not let the spreader sit idle with material in the hopper for an extended period of time. This can cause the material to compact and reduce or stop the flow of material.

OPERATING THE SPREADER

ON/OFF CONTROL

**Spinner Indicator Light
(Illuminated light indicates
power to the motor.)**



**ON/OFF Control Switch
(Emergency stop when
required.)**

Blast/Maximum Speed

Move and hold the power switch to the "BLAST" position for as long as maximum speed is needed. When released, the switch will automatically return to the "OFF" position and stop the motor.

If there are problems while operating the spreader, refer to the Troubleshooting Section in this manual.

NOTE: Always place the cover on the hopper to prevent moisture buildup. Do not let the spreader sit idle with material in the hopper for an extended period of time. This can cause the material to compact and reduce or stop the flow of material.

Starting and Stopping the Motor

⚠ WARNING

Before starting the spreader, the driver shall verify all bystanders are a minimum of 25 feet away from operating spreader.

1. Move the power switch to the "ON" position to start the motor. Motor will start immediately. The power switch will remain in this position.
2. Move the power switch to the "OFF" position to stop the motor. The power switch will remain in this position.

The power switch "OFF" position operates as an emergency stop when required.

NOTE: The truck ignition must be ON to start the spreader.

NOTE: If the truck ignition is turned OFF while the spreader is running, the motor will stop.

REMOVING THE SPREADER

REMOVING THE RECEIVER MOUNT SPREADER

⚠ CAUTION

During removal or mounting, securely grip spreader to avoid dropping.

1. Unplug the spreader harness from the vehicle harness.
2. Remove the receiver clamp, if installed.
3. Release and remove the ratchet straps.
4. Remove the pin from the receiver hitch.
5. Remove the spreader from the vehicle and stand it in an upright position. This may require additional support.

NOTE: Empty the hopper before removing the spreader.

MAINTENANCE

⚠ CAUTION

Disconnect electric power at spreader electrical wiring harness connection and tag out if required before servicing or performing maintenance.

⚠ CAUTION

- **Do not operate a spreader in need of maintenance.**
- **Before operating the spreader, reassemble any parts or hardware removed for cleaning or adjusting.**
- **Before operating the spreader, remove materials such as cleaning rags, brushes and hand tools from the spreader.**
- **Empty and clean spreader after every use. Material can freeze or solidify, causing unit to not work properly.**

PRESEASON CHECK

Before the unit is placed in service for the ice control season make sure that it is in top working condition. Here are some tips for getting your spreader ready.

Remove the motor cover and inspect the following:

1. Check the condition of the drive belt. Any cracks indicate the need for a new belt. See Drive Belt Replacement in this section.
2. Check the motor connection terminals for damage or corrosion. Clean or replace as necessary and coat with dielectric grease.
3. Check the condition of the drive shaft bearings by first removing the drive belt. To remove the drive belt see Drive Belt Replacement in this section. With the drive belt removed, spin the drive shaft by hand. Any excess noise or roughness in either the top or the bottom bearing may indicate bearing failure.
4. If bearings pass inspection be sure to thoroughly grease them with a good quality multipurpose grease. See "Bearing Maintenance" in this section.
5. Verify that all set screws are tight. Verify that all other fasteners are tight. Refer to the Torque Chart in the Safety section of this manual.

6. Check the condition of the spinner disk. If the vanes are excessively worn the unit may not spread as intended. Replace the spinner if necessary.
7. Replace the motor cover.
8. Verify that vehicle stoplights are visible and working properly.

AFTER EACH USE

Disconnect the electrical plug located between the spreader and the truck before cleaning.

1. Thoroughly clean the unit inside and out using tap water or a high-pressure washer. Avoid spraying water into bearings, motor and electrical connections. A long-handled brush can be used to aid cleaning.
2. Apply dielectric grease to all electrical connections to prevent corrosion.
3. Lubricate the drive shaft bearings with a good quality multipurpose grease.

POSTSEASON MAINTENANCE

Before storing the unit for the off-season, taking a few minutes to do the following will extend the service life of your spreader:

1. Thoroughly clean the unit inside and out.
2. Apply dielectric grease to all electrical connections to prevent corrosion.
3. Grease the drive shaft bearings.
4. Oil or paint all bare metal surfaces.
5. Place the lid on the hopper body of the unit and secure the latch.
6. Store the unit in an upright position; stabilize it with supports if necessary. If the unit is stored outdoors, cover the unit and place it on blocks to eliminate ground moisture.

MAINTENANCE

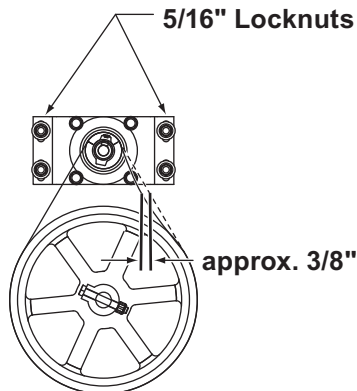
DRIVE BELT REPLACEMENT

Disconnect the electrical plug between the spreader and truck before drive belt replacement.

⚠ CAUTION

Overtightening the belt may result in damage to the motor or bearings.

1. Remove the motor cover.
2. Loosen the four 5/16" locknuts that fasten the motor mount to the drive support.
3. Slide the motor toward the drive shaft.
4. Remove the belt and replace with a new one.
5. Slide the motor mount away from the drive shaft until the proper tension of the drive belt is achieved. After tightening, the belt should easily deflect 3/8".



6. Tighten the four 5/16" locknuts and replace the motor cover.

FUSE REPLACEMENT

See the Harness Wiring Diagram on the next page for fuse ratings and locations.

If a problem should occur and fuse replacement is necessary, the replacement fuse must be of the same type and amperage rating as the original. Installing a fuse with a higher rating can damage the system and could start a fire.

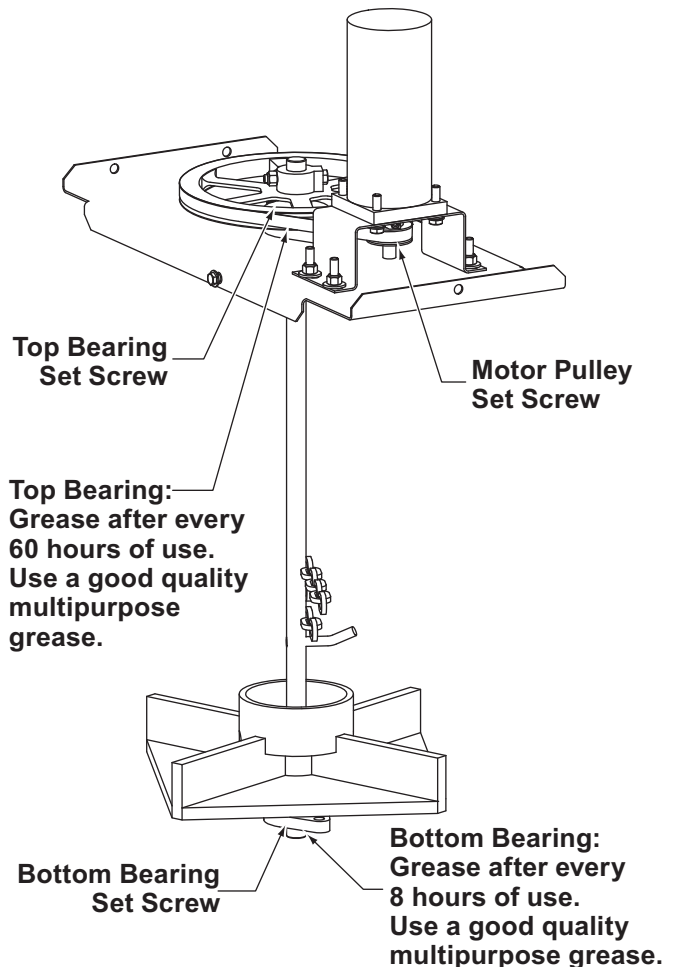
RECYCLE

When your spreader has performed its useful life, the majority of its components can be recycled as steel. Gear oil shall be disposed of according to local regulations. Balance of parts made of plastic shall be disposed of in customary manner.

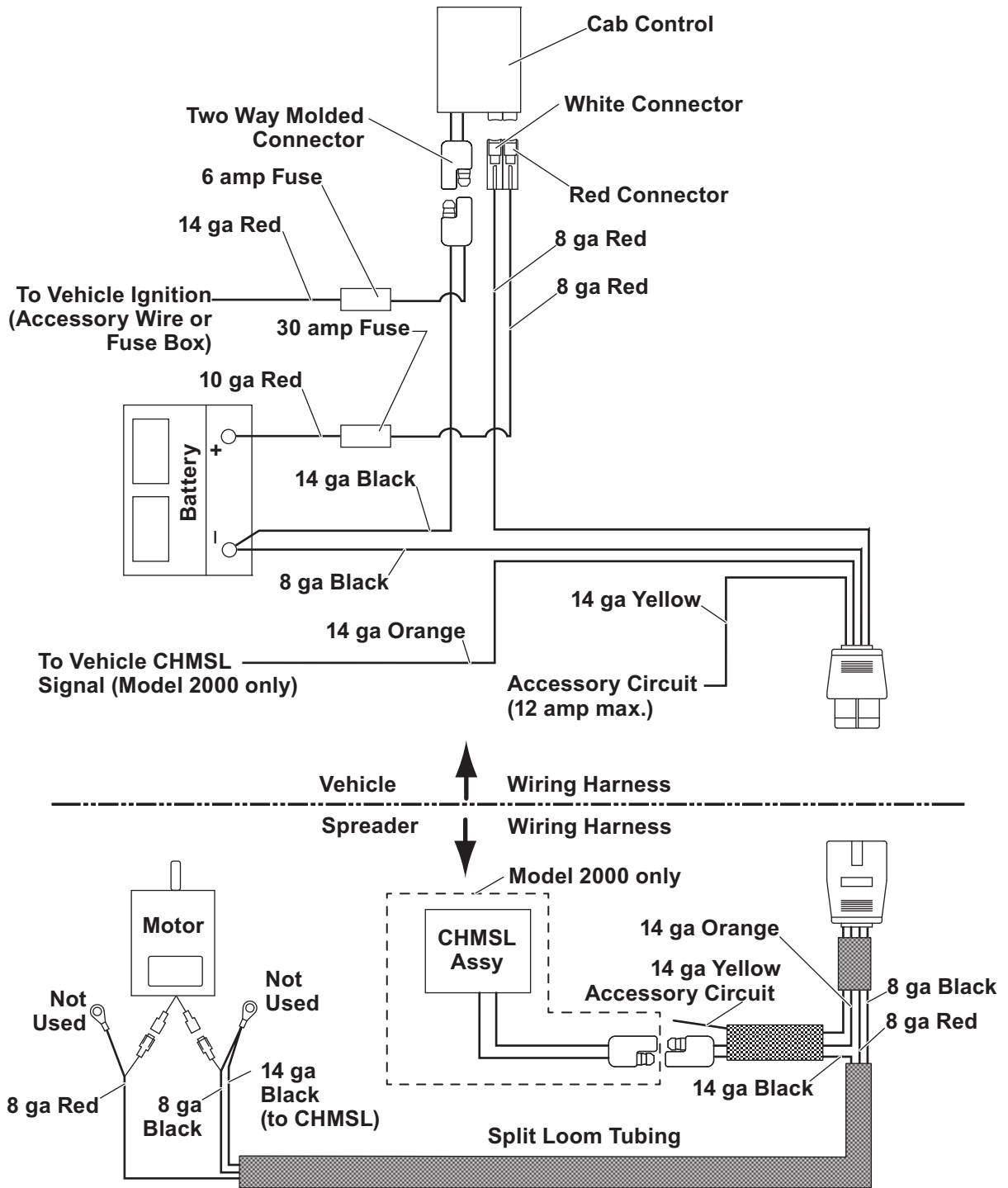
BEARING AND SET SCREW MAINTENANCE

Disconnect the electrical plug between the spreader and the truck before performing any maintenance.

1. Tighten all set screws shown after every 60 hours of use.
2. Grease the top and bottom drive shaft bearings as shown. Due to the harsh environment of the bottom bearing it will require more care than the top bearing.



4-PIN HARNESS WIRING DIAGRAM — LOW-PROFILE SPREADERS



Motor Specification:
12V DC, 0.56 kW Motor

TROUBLESHOOTING GUIDE

For control operation and use of diagnostic indicator lights, locate the section for your control style in the Operating the Spreader section of this manual.

Problem	Possible Cause	Suggested Solution
No power to cab control Ignition and control switches ON; no illumination of indicator light(s).	1. Control connector plug is loose.	1. Check plug connection at cab control.
	2. Battery lead in-line fuse is blown.	2. Change the fuse (4-pin harness – 6 amp fuse) and inspect for short circuits. Check power supply for 12 V DC.
	3. Battery connection is poor.	3a. Check for low battery. 3b. Clean or replace ring terminal. Coat with dielectric grease.
	4. Battery wiring harness is damaged.	4. Repair or replace damaged wires or harness as required.
Speed control dial on the Variable Speed (PWM) cab control does not change motor speed.	1. Malfunctioning cab control.	1. Replace cab control.
	2. Red and white connectors are incorrectly hooked up.	2. Reconnect so red matches red and white matches white.
Spreader does not operate. Indicator light(s) illuminated.	1. Overloaded condition is causing over-current protection to activate (Variable Speed Control only).	1. Reset cab control by turning the power OFF. Depress the START/BLAST switch to resume operation.
	2. Wire harness is damaged or has an open circuit between cab control and spreader.	2a. Check plug connections at cab control and spreader. 2b. Check wire connections at spreader motor and at vehicle battery, disconnect motor leads, turn control ON, set cab control to MAXIMUM on variable speed controls and check for voltage at motor leads. 2c. Repair or replace damaged wires and connectors. 2d. Check the 30 amp in-line fuse. Replace if necessary.
	3. Spreader motor is not running.	3. Replace motor if shaft will not turn.

TROUBLESHOOTING GUIDE

Problem	Possible Cause	Suggested Solution
Spinner does not turn. Motor is running.	Unplug the spreader harness and tag out, if required, before performing any of the following repairs.	
	1. Obstruction is preventing rotation.	1. Clear obstruction.
	2. Drive belt is loose or damaged.	2. Adjust tension or replace belt if worn or damaged.
	3. Motor pulley not secured to motor shaft.	3. Tighten pulley set screw or replace pulley if damaged.
	4. Spinner pulley is not secured to spinner shaft.	4. Replace cap screw and nut if missing or damaged. Replace pulley if damaged.
	5. Spinner shaft bearings are dry or seized.	5. Grease or replace bearings.
Ice control material not flowing Spinner is turning.	1. Bridging of material or obstruction in hopper.	1. Unplug the spreader harness and tag out if required. Check hopper for material and free any bridged material or obstruction.
Spread pattern not optimum	1. Deflector out of adjustment. (Optional Equipment)	1. Unplug the spreader harness and tag out, if required. Change deflector adjustment to suit desired pattern.



Western Products
PO Box 245038
Milwaukee, WI 53224-9538
www.westernplows.com

 A DIVISION OF DOUGLAS DYNAMICS, L.L.C.



This product conforms to EU Machinery Directive 2006/42/EC.

Copyright © 2011 Douglas Dynamics, L.L.C. All rights reserved. This material may not be reproduced or copied, in whole or in part, in any printed, mechanical, electronic, film or other distribution and storage media, without the written consent of Western Products. Authorization to photocopy items for internal or personal use by Western Products outlets or spreader owner is granted.

Western Products reserves the right under its product improvement policy to change construction or design details and furnish equipment when so altered without reference to illustrations or specifications used. Western Products or the vehicle manufacturer may require or recommend optional equipment for spreaders. Do not exceed vehicle ratings with a spreader. Western Products offers a limited warranty for all spreaders and accessories. See separately printed page for this important information. The following is a registered (®) trademark of Douglas Dynamics, L.L.C.: WESTERN®.

Printed in U.S.A.