

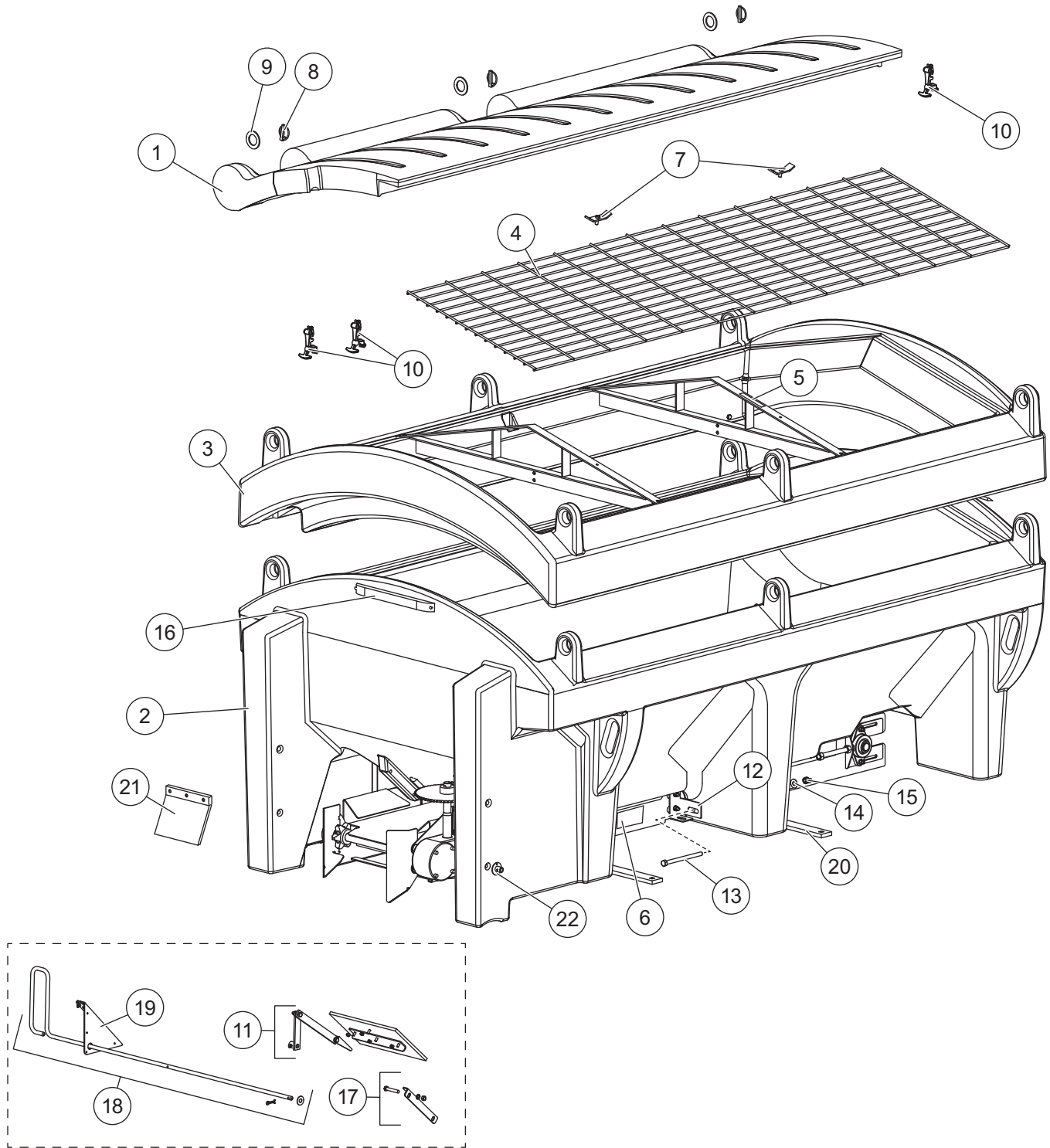


78000, 78003, 78006
Hopper Spreader Components
Tornado™ Hopper Spreader
Parts List

This Parts List is for WESTERN® Tornado Hopper Spreaders
with serial numbers beginning with 090527–120430.

Tornado™ HOPPER SPREADER

HOPPER COMPONENTS

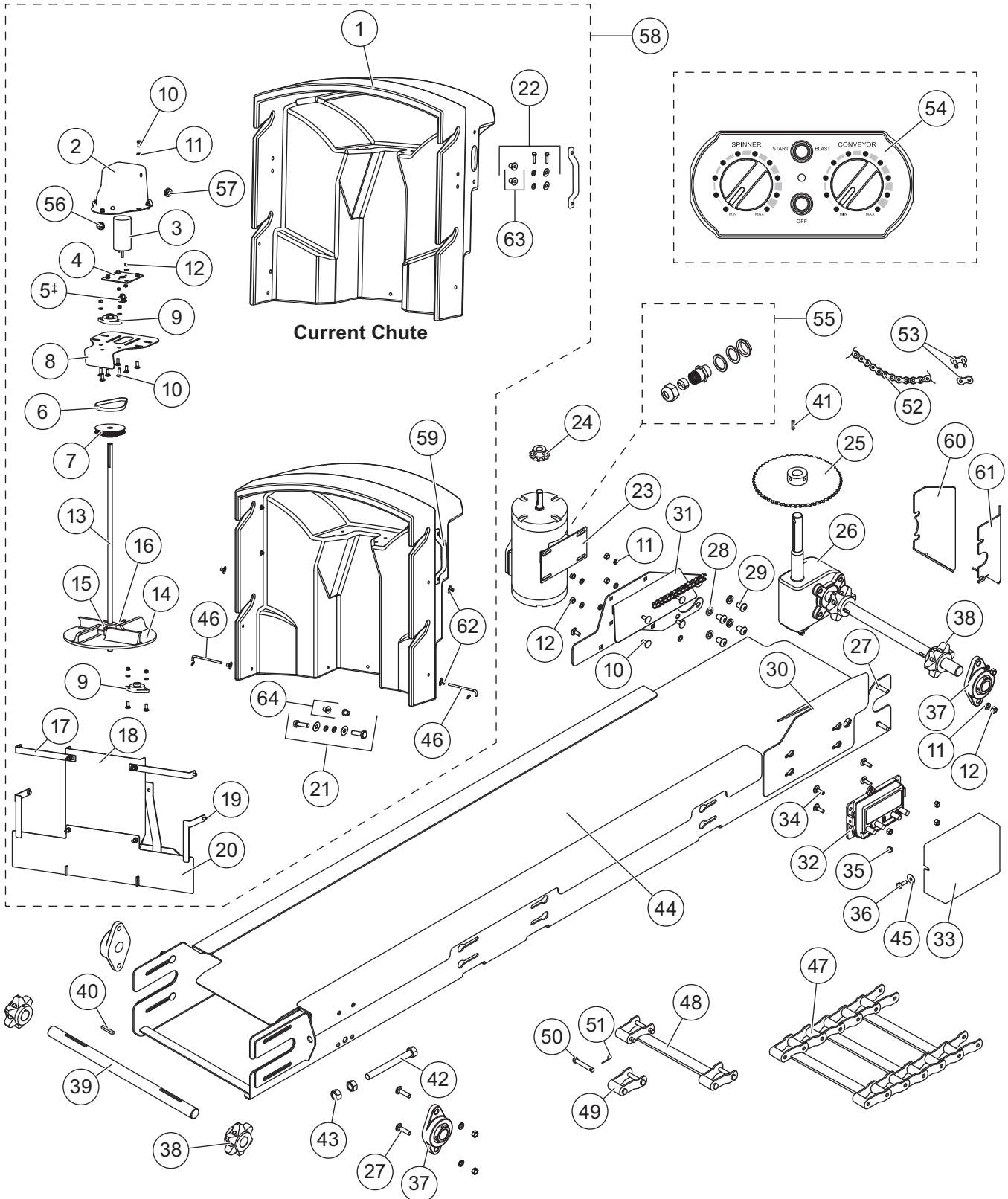


Tornado™ HOPPER SPREADER

Hopper Components							
Item	Part	Qty	Description	Item	Part	Qty	Description
1	78018	1	Poly Hopper Lid, 7' (DS)	12	78119	3	Hopper Mounting Bracket (PS)
	78019	1	Poly Hopper Lid, 8' (DS)	ns	78133	3	Hopper Mounting Bracket (DS)
ns	78020	1	Poly Hopper Lid, 7' (PS)	13	78203	4	1/2-13 x 7-1/2 Hex Cap Screw SS
	78021	1	Poly Hopper Lid, 8' (PS)	14	68109	4	1/2 Flat Washer SS
2	78009	1	Poly Hopper Body, 7'	15	95834	4	1/2-13 Hex Locknut SS
	78012	1	Poly Hopper Body, 8'	ns	90375	8	3/8-16 x 1 Carriage Bolt SS
3	78226	1	Poly Hopper, 8' Collar	ns	91282	8	3/8 Lock Washer SS
4	78115	2	Top Screen, 7' (Painted)	ns	91431	8	3/8-16 Hex Nut SS
	78116	2	Top Screen, 8' (Painted)	16	78048	1	CHMSL Kit (w/fasteners)
5	78279	2	Top Screen Brace w/Label (67272) Poly Hopper	17	78083	2	Feed Gate Guide with Fasteners Kit (incl. 94495 [2], 78047 [1], 91350 [2])
6	68584	2	Label – Warning/Caution, Spreaders	18	78094	1	Feed Gate Handle Kit (incl. 78029, 90601 [2], and item 14)
7	96038	4	Wing Bolt	19	78098	1	Feed Gate Detent Bracket (incl. 78028 w/fasteners)
8	93010	6	7/16 Linchpin	ns	66438	4	3/8-16 x 1-1/2 Hex Cap Screw
9	78097	6	Washer 2.5 OD x 1.53 ID SS	20	78109	2	Mounting Bar (incl. 78056, 90380 [2], and items 14 [2], 15 [2])
10	65224	3	Strap, Rubber Hold-Down Assembly	ns	78242	1	Poly Hopper Collar Hardware Kit
ns	61246	1	Cable Boot	21	78177	1	Sprocket Shield Kit
ns	8289	1	Boot Bracket	22	78262	2	Chute Attachment Sleeve Kit
ns	96375	1	3/8 x 1 Sheet Metal Screw				
11	78118	1	Feed Gate Assembly Kit, Poly Hopper (incl. 78093, 90601)				
ns = not shown				SS = Stainless Steel			

Tornado™ HOPPER SPREADER

DRIVE COMPONENTS



Tornado™ HOPPER SPREADER

Drive Components							
Item	Part	Qty	Description	Item	Part	Qty	Description
1	78022	1	Chute Cover	41	65174	1	1/4 x 1-1/2 Machine Key
2	78099	1	Chute Motor Cover	42	65609	2	5/8-11 x 6 Take-Up Bolt SS
3	78300	1	Motor 12V DC 1/3 hp (incl. 93101)	43	91435	4	5/8-11 Hex Nut
4	78125	1	Chute Motor Mounting Plate Kit (incl. 68511 [2], 78068, and items 10 [4], 11 [4], 12 [4])	44	78192	1	Sill, 7'
5‡	78106	1	10-Tooth Cogged Belt Pulley		78193	1	Sill, 8'
6	M1355	1	Gear Belt	45	67155	2	5/16 Flat Washer SS
7	76796	1	40-Tooth Cogged Belt Pulley 3/4 Bore	46	78031	1	Chute Attachment Pin Bag (pkg of 2)
8	78126	1	Chute Motor Base Plate Kit (incl. items 11 [4], 19 [4], 78065)	47	78076	1	Pintle Chain (99 Links)
9	96167	2	Pillow Block Bearing 3/4 Bore		94898	1	Pintle Chain (108 Links)
10	90375	28	3/8-16 x 1 Carriage Bolt SS	48	68492	AR	Conveyor Repair Bar w/Pins and Cotters
11	91282	39	3/8 Lock Washer SS	49	68475	AR	Conveyor Repair Link w/Pins and Cotters
12	91431	34	3/8-16 Hex Nut SS	50	41743	AR	Conveyor Chain Pin w/Cotter
13	78067	1	Spinner Shaft	51	91897	AR	3/32 x 1/2 Cotter Pin
14	94424	1	Spinner, Poly	52	78075	1	#40 Chain with Master Link
15	91430	1	5/16-18 Hex Nut SS	53	95894	AR	#40 Chain Master Link
16	94495	1	5/16-18 x 2-1/4 Hex Cap Screw SS	54	78102	1	Cab Control
17	78128	2	Deflector Bracket	55	78201	1	Seal Kit
18	78129	1	Deflector	56	78107	1	Cap Plug for Motor Cover
19	90376	5	3/8-16 x 3/4 Hex Cap Screw SS	57	66130	1	Grommet
20	78130	1	Spinner Guard	58	78229-1	1	Full Chute Assembly
21	78268	1	3/8 Well Nut Fastener Kit	59	78247	2	Chute Handle Kit
22	78270	1	1/4 Well Nut Fastener Kit	60	78261	1	Sill Deflector (PS)
23	95755-2	1	Motor 12V DC 1/2 hp	61	78260	1	Sill Deflector (DS)
24	95777	1	Sprocket, #40 x 11T x 5/8	62	78262	4	Chute Attachment Sleeve Kit
25	78057	1	Sprocket, #40 x 55T x 1	63	78269	1	1/4 Well Nut (pkg of 2)
26	95567	1	Gear Case 20:1	64	78267	1	3/8 Well Nut (pkg of 2)
27	68345	10	3/8-16 x 1-1/2 Carriage Bolt SS	ns	78199	1	CHMSL Harness Kit
28	91284	4	1/2 Spring Lock Washer SS	ns	29217	1	Vehicle Power Cable
29	68360	4	1/2-13 x 3/4 Button Cap Screw	ns	48808	1	Spreader Power Cable
30	78131	1	Chain Guard (DS Rear)	ns	29221	1	Vehicle-Side Control Harness
31	78132	1	Chain Guard (PS Rear)	ns	78103	1	Wiring – Module to Motor
32	78178-1	1	Control Module – Dual Motor	ns	78104	1	Wiring – Module to Spinner Connector
33	78108	1	Module Cover	ns	78105	1	Wiring – Spinner Connector to Spinner Motor
34	90556	4	5/16-18 x 1 Carriage Bolt	ns	95836	1	Fuse, 100A
35	91350	4	5/16-18 Hex Locknut GB SS	ns	95837	1	Fuse Holder
36	90381	2	1/4-20 x 3/4 Hex Cap Screw SS	ns	22511K	1	22" Battery Cable
37	94536	3	1-1/8 Bearing, 2-Bolt Flange	ns	78246	1	Control Bracket Kit
38	65909	4	Drive Sprocket, 6T	ns	61548K	1	Plug Cover Kit
39	94351	1	Idler Shaft	ns	78266	1	Chain Wiper Kit
40	95076	4	1/4 x 2-3/4 Machine Key				

ns = not shown

AR = As Required

SS = Stainless Steel

G = Grade

‡ For use on motors with 5/16" shaft only.

See page 6 for Accessories parts list.

Tornado™ HOPPER SPREADER

Accessories							
Item	Part	Qty	Description	Item	Part	Qty	Description
ns	78197	1	License Plate Light Kit	ns	78204	1	Vehicle-Side Harness Kit
ns	78198	1	Work Light Kit	ns	78195	1	Vibrator Kit
ns	78120	1	Inverted V Kit, 8' Models	ns	78150	1	Inverted V Kit, 7' Models
ns = not shown							

Copyright © 2019 Douglas Dynamics, LLC. All rights reserved. This material may not be reproduced or copied, in whole or in part, in any printed, mechanical, electronic, film, or other distribution and storage media, without the written consent of Western Products. Authorization to photocopy items for internal or personal use by Western Products outlets or spreader owner is granted.

Western Products reserves the right under its product improvement policy to change construction or design details and furnish equipment when so altered without reference to illustrations or specifications used. Western Products or the vehicle manufacturer may require or recommend optional equipment for spreaders. Do not exceed vehicle ratings with a spreader. Western Products offers a limited warranty for all spreaders and accessories. See separately printed page for this important information. The following are registered (®) or unregistered (™) trademarks of Douglas Dynamics, LLC: Tornado™, WESTERN®.

Printed in U.S.A.