



MIDWEIGHT™, PRO-PLOW® Series 2, and POLY PRO-PLOW® Series 2 Snowplow

Poly Blade Assemblies 72400, 72450, 74330

Steel Blade Assemblies 72308, 72381, 72390, 74340

Center Assembly 75200-1, 75200-3

Center Assembly, Central Hydraulics 75210-1, 75210-3

Parts List

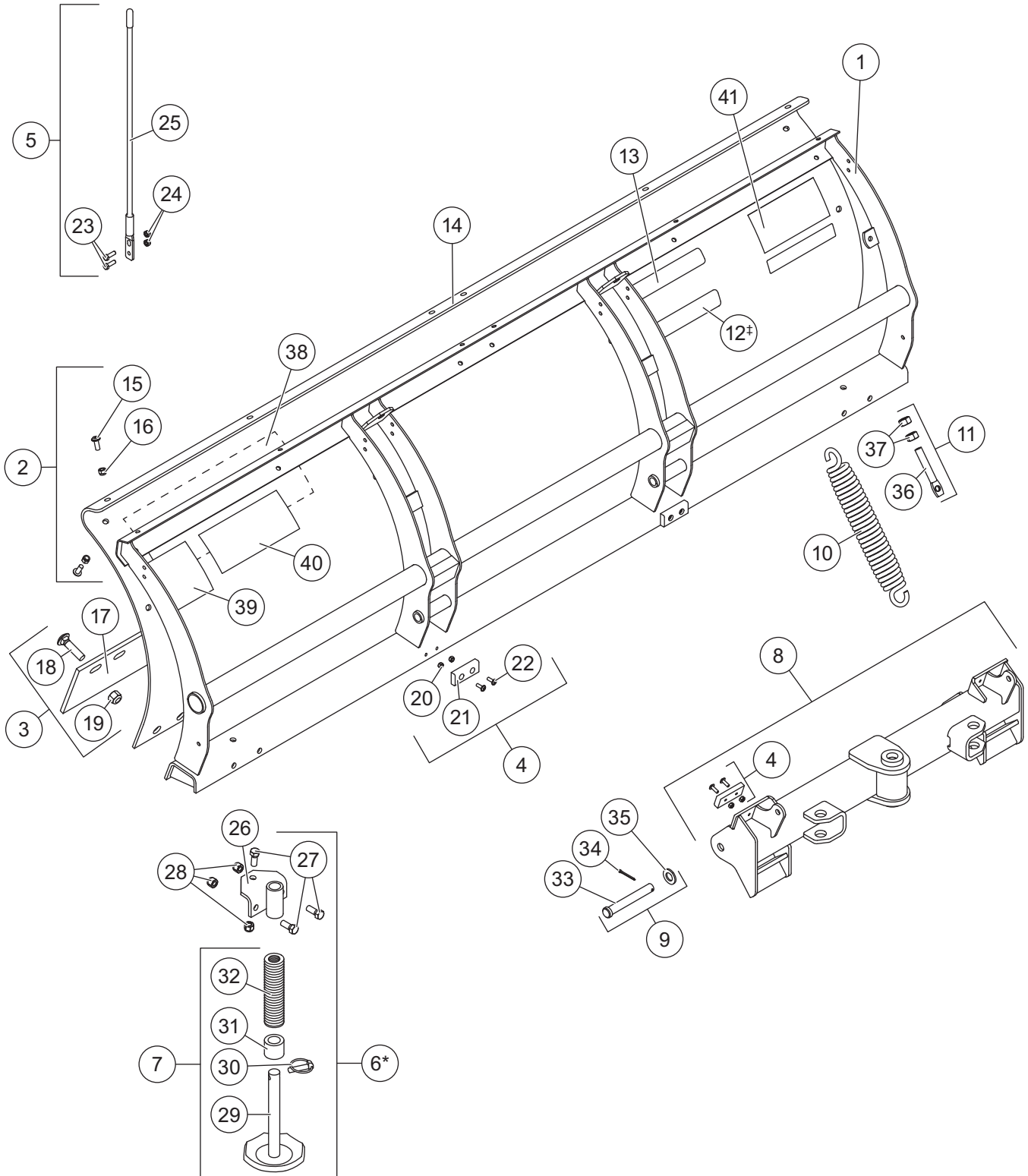


TABLE OF CONTENTS

MIDWEIGHT™ BLADE ASSEMBLY	4
PRO-PLOW® Series 2 BLADE ASSEMBLY	6
MIDWEIGHT AND PRO-PLOW Series 2 CENTER ASSEMBLY	8
Lift Frame and A-Frame Components.....	8
Hydraulic Unit Components.....	10
Lift and Angle Ram Components.....	12
Hoses and Fittings.....	12
Electrical Components.....	13
Vehicle-Side Harness Diagram – 3-Port, 2-Plug System.....	14
Vehicle-Side Harness Diagram – Central Hydraulics.....	15
Headlamp Kits.....	16–17

MIDWEIGHT™ BLADE ASSEMBLY 74330/74340

Blade Assembly Components



MIDWEIGHT™ BLADE ASSEMBLY 74330/74340

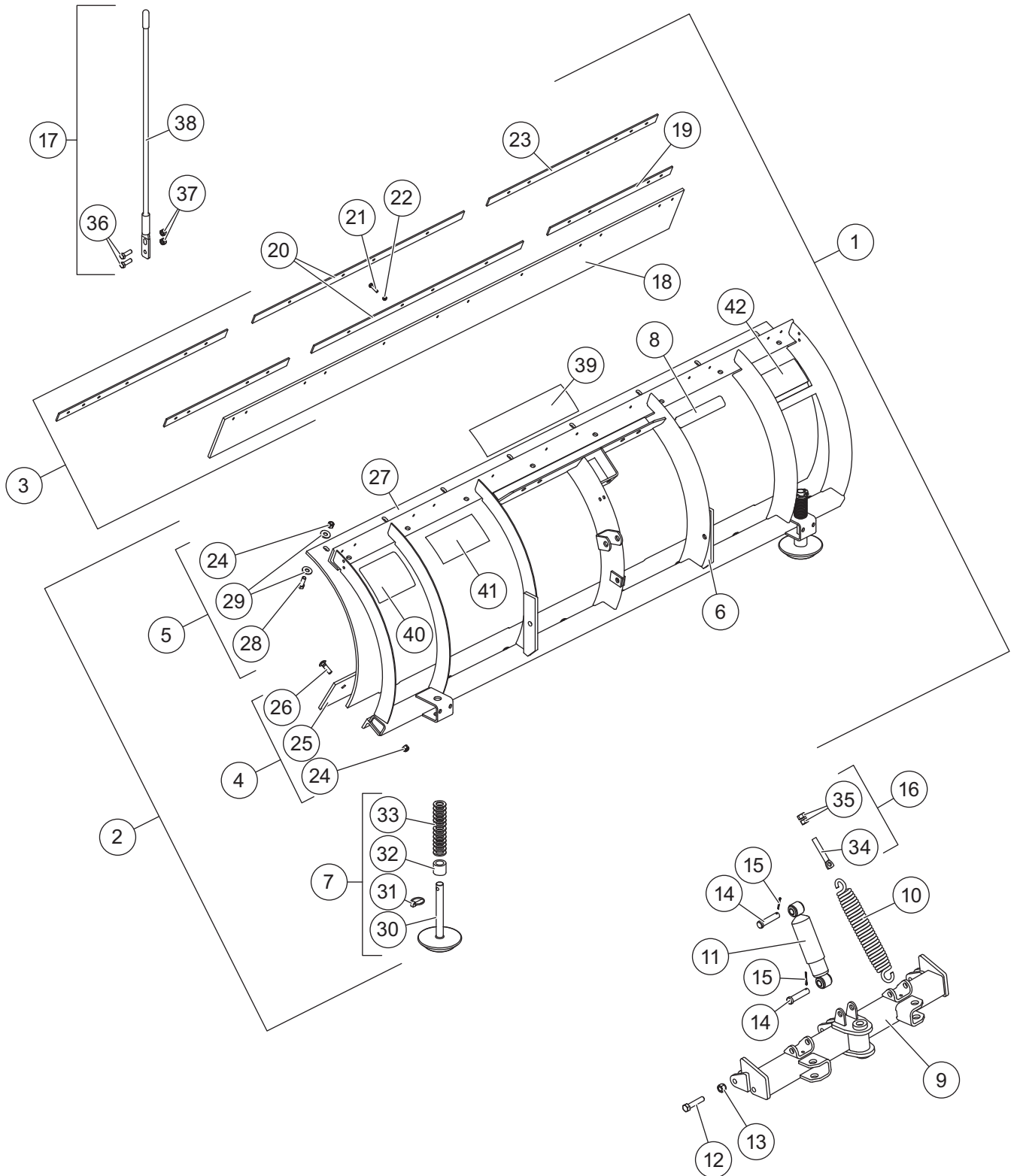
MIDWEIGHT Blade Components							
Item	Part	Qty	Description	Item	Part	Qty	Description
1†	64333	1	Blade Frame, 7'6" Poly	8	49531	1	Quadrant, MIDWEIGHT
2†	28597	1	7'6" Poly Moldboard Kit w/Fasteners	9	28593	2	3/4 x 5-3/8 Clevis Pin Kit
ns	64360‡	1	Blade, 7'6" Steel	10	23039	2	Trip Spring
3	28594	1	7'6" Cutting Edge Kit w/Fasteners	11	66421	2	5/8-11 x 4 Eyebolt w/Nuts Kit
4	63976	4	Push Stop Kit	12†	28404	1	Label – Logo, ULTRAFINISH™
5	62265	1	Blade Guide Kit	13	28598	1	Label – Logo, MIDWEIGHT
6*	64392	2	Shoe Kit	ns	43362	1	Blade Label Kit – UltraMount® 2
7	49067	2	Disc Shoe Assembly				
Item 2†				28597 7'6" Poly Moldboard Kit w/Fasteners			
14		1	Moldboard, 7'6" Poly	16	91333	12	3/8-16 Hex Locknut GB
15	98043	12	3/8-16 x 1 Button Cap Screw				
Item 3				28594 7'6" Cutting Edge Kit w/Fasteners			
17	64760	1	7'6" Cutting Edge	19	91337	10	5/8-11 Hex Locknut GB
18	5572	10	5/8-11 x 2 Carriage Bolt G5				
Item 4				63976 Push Stop Kit			
20		2	#14-20 Hex Jam Locknut GB	22		2	#14-20 x 3/4 Button Cap Screw
21		1	Bumper				
Item 5				62265 Blade Guide Kit			
23	68494	4	5/16-18 x 1 Hex Cap Screw G5	25	62263	2	Blade Guide, Poly
24	91332	4	5/16-18 Hex Locknut GB				
Item 6*				64392 Shoe Kit			
7	49067	2	Disc Shoe Assembly	27	90575	6	1/2-13 x 1-1/4 Hex Cap Screw G5
26	64388	2	Shoe Bracket	28	91335	6	1/2-13 Hex Locknut GB
Item 7				49067 Disc Shoe Assembly			
29		1	Disc Shoe	31	60045	1	Spacer
30		1	7/16 x 1-3/4 Linchpin	32	91192	26	Round Flat Washer, Special
Item 9				28593 3/4 x 5-3/8 Clevis Pin Kit			
33		1	3/4 x 5-3/8 Clevis Pin	35	91147	1	3/4 Flat Washer
34	91911	1	5/32 x 1-1/2 Cotter Pin				
Item 11				66421 5/8-11 x 4 Eyebolt w/Nuts Kit			
36	90490	1	5/8-11 x 4 Eyebolt	37	91416	2	5/8-11 Hex Nut GB
				43362 Blade Label Kit – UltraMount 2			
38	69489	1	Label – Logo, WESTERN®	40	43360	1	Label – Attach/Detach, UltraMount 2
39	59900	1	Label – Warning/Caution, Snowplow	41	44451	1	Label – Logo, WESTERN 8.31"
ns = not shown				G = Grade			

* Accessory only.

† Poly blades only.

‡ Steel blades only.

Blade Assembly Components



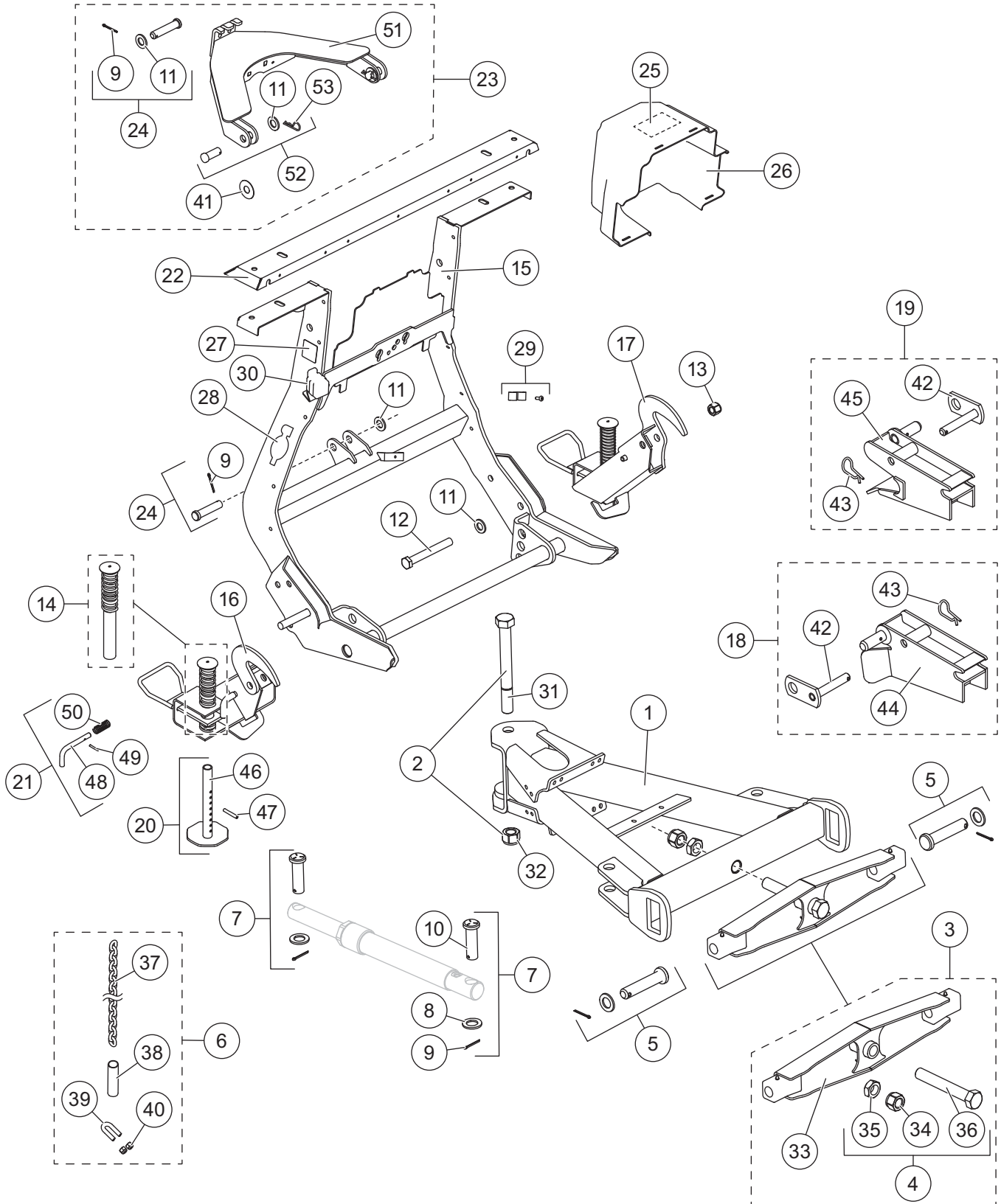
PRO-PLOW® Series 2 BLADE ASSEMBLY 72400/72450/72308/72381/72390

PRO-PLOW Series 2 and POLY PRO-PLOW® Series 2 Blade Assembly Components							
Item	Part	Qty	Description	Item	Part	Qty	Description
1	62400†	1	7'6" Blade Assy w/Deflector – Poly	6	62350†	1	7'6" Blade Frame
	62450†	1	8' Blade Assembly w/Deflector – Poly		62415†	1	8' Blade Frame
2	62395†	1	7'6" Blade Assembly – Poly	7	49071	2	Disc Shoe Assembly
	62420†	1	8' Blade Assembly – Poly	8	28404‡	1	Label – Logo, ULTRAFINISH™
ns	60381‡	1	7'6" Blade Assembly – Steel	9	68290	1	Quadrant, PRO-PLOW Series 2
	60390‡	1	8' Blade Assembly – Steel	10	23039	4	Trip Spring
	60308‡	1	8'6" Blade Assembly – Steel	11	63979	1	Shock Absorber Assembly
3	62396†	1	7'6" Rubber Deflector Assembly	12	90132	2	5/8-11 x 3 Hex Cap Screw G5
	62402†	1	8' Rubber Deflector Assembly	13	91337	2	5/8-11 Hex Locknut GB
4	49312†	1	7'6" Cutting Edge Assembly – Poly	14	93063	2	3/4 x 3-1/4 Clevis Pin
	49328†	1	8' Cutting Edge Assembly – Poly	15	91911	2	5/32 x 1-1/2 Cotter Pin
	49088‡	1	7'6" Cutting Edge Assembly – Steel	16	66421	4	5/8-11 x 4 Eyebolt Kit
	49089‡	1	8' Cutting Edge Assembly – Steel	17	62265	1	Blade Guide Kit
	49086‡	1	8'6" Cutting Edge Assembly – Steel	ns	43362	1	Blade Label Kit – UltraMount® 2
5	49322†	1	7'6" Moldboard Kit				
	49327†	1	8' Moldboard Kit				
Item 2 62395 or 62420 Blade Assembly							
	4†	1	Cutting Edge Assembly	6		1	Blade Frame
	5†	1	Moldboard Kit	7	49071	2	Disc Shoe Assembly
Item 3† 62396 7'6" Rubber Deflector Assembly							
18		1	7'6" Rubber Deflector	21	90048	12	5/16-18 x 1-1/4 Hex Cap Screw G5
19	64803	2	7'6" Retainer, Outer	22	91332	12	5/16-18 Hex Locknut GB
20	64802	1	Retainer, Inner				
Item 3† 62402 8' Rubber Deflector Assembly							
ns		1	8' Rubber Deflector	22	91332	12	5/16-18 Hex Locknut GB
20	64802	1	Retainer, Inner	23	64801	2	8'-9' Retainer, Outer
21	90048	12	5/16-18 x 1-1/4 Hex Cap Screw G5				
Item 4 49312, 49328, 49088, 49089, or 49086 Cutting Edge Assembly							
24	91335	8	1/2-13 Hex Locknut GB	26	90238	8	1/2-13 x 1-3/4 Carriage Bolt G8
25		1	Cutting Edge				
Item 5† 49322 or 49327 Moldboard Kit							
24	91335	8	1/2-13 Hex Locknut GB	28	90101	8	1/2-13 x 1-3/4 Hex Cap Screw G5
27		1	Plastic Moldboard	29	91105	16	1/2 Flat Washer, Type A Wide
Item 7 49071 Disc Shoe Assembly							
30		1	Disc Shoe	32	60045	1	Spacer
31		1	7/16 x 1-3/4 Linchpin	33	91192	26	1" Flat Washer, Special
Item 16 66421 5/8-11 x 4 Eyebolt w/Nuts Kit							
34	90490	1	5/8-11 x 4 Eyebolt	35	91416	2	5/8-11 Hex Nut GB
Item 17 62265 Blade Guide Kit							
36	68494	4	5/16-18 x 1 Hex Cap Screw G5	38	62263	2	Blade Guide, Poly
37	91332	4	5/16-18 Hex Locknut GB				
43362 Blade Label Kit – UltraMount 2							
39	69489	1	Label – Logo, WESTERN®	41	43360	1	Label – Attach/Detach, UltraMount 2
40	59900	1	Label – Warning/Caution, Snowplow	42	44451	1	Label – Logo, WESTERN 8.31"
ns = not shown				G = Grade			

† Poly blades only.
‡ Steel blades only.

MIDWEIGHT™ & PRO-PLOW® Series 2 CTR ASSEMBLY 75200-1/75210-1(CH)

Lift Frame and A-Frame Components



MIDWEIGHT™ & PRO-PLOW® Series 2 CTR ASSEMBLY 75200-1/75210-1(CH)

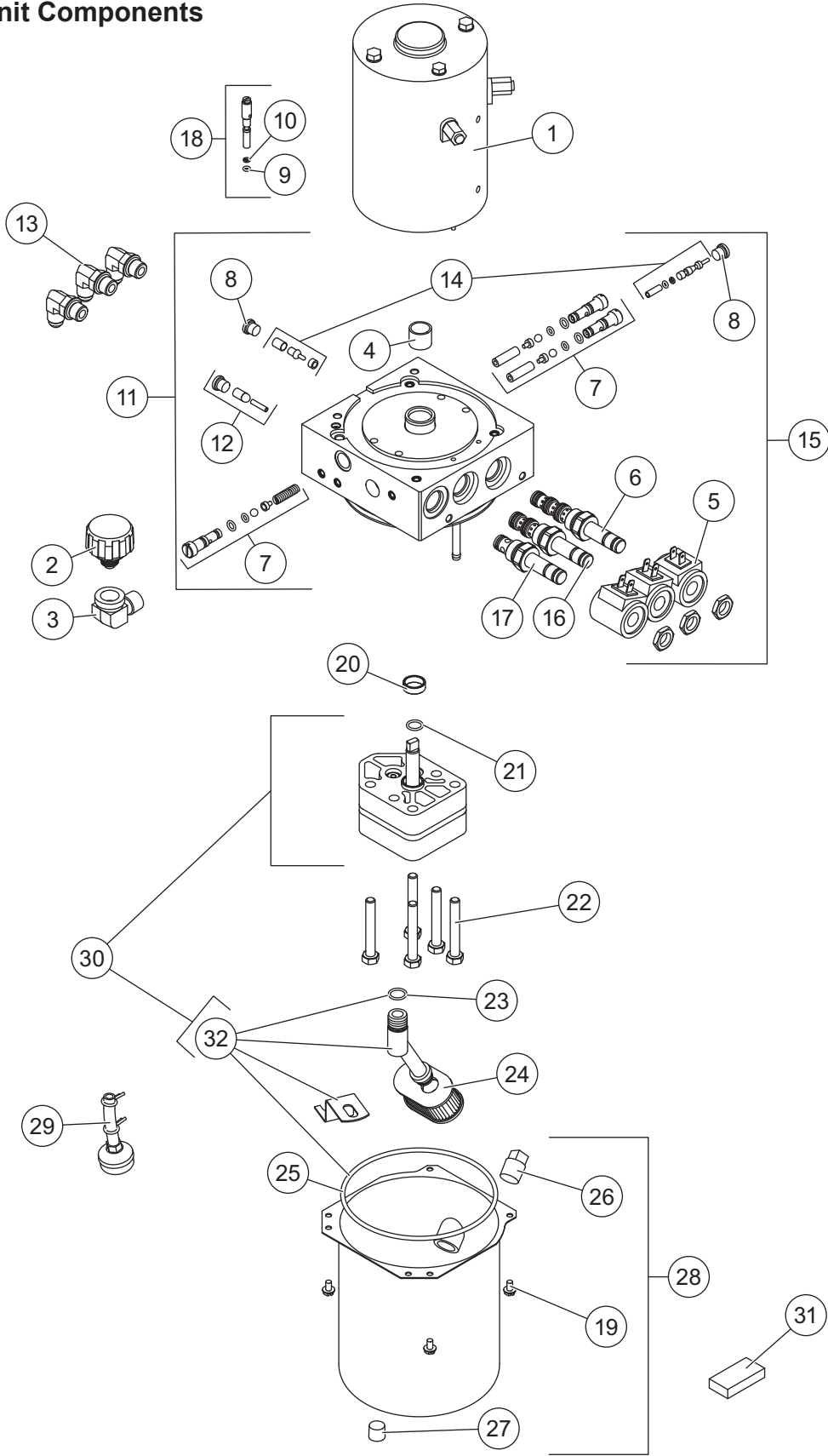
MIDWEIGHT and PRO-PLOW Series 2 Lift Frame and A-Frame Components							
Item	Part	Qty	Description	Item	Part	Qty	Description
1	68291	1	A-Frame	17	72617	1	Stand Assembly – PS
2	69494	1	Nose Plate Bolt Kit	18	76722	1	Receiver Kit – DS
3	67842-1	1	Pivot Bar Kit	19	76718	1	Receiver Kit – PS
4	67855	1	Pivot Bolt Kit	20	67847	2	Stand Shoe Kit
5	49645	2	Pivot Bar Pin Kit	21	67844	2	Stand Lock Pin Kit
6	49033	2	1/4 Grade 43 Chain Assembly	22	43302	1	Light Channel
7	63973	4	Ram Pin Kit	23	43304	1	Lift Arm Kit
8	91192	6	Round Flat Washer, Special	24	68740	2	3/4 x 3-1/2 Clevis Pin Kit
9	91911K	2	5/32 x 1-1/2 Cotter Pin Kit (pkg of 4)	25	43353	1	Label – Information, Straight Blade Hydraulic
10	93074	4	1 x 3-1/4 Clevis Pin	26†	68314-1	1	Hydraulic Unit Cover (incl. item 31)
11	91147	6	3/4 Flat Washer	27†	69689	1	Label – Logo, SECURITY GUARD™
12	66451	2	3/4-10 x 6 Hex Cap Screw G5	28	43358	2	Label – Logo, UltraMount® 2
13	91338	2	3/4-10 Hex Locknut GB	29	49479-1	1	Hose Bracket Kit
14	48523	2	Plunger w/Spring	30	61246	1	Cable Boot
15	78790	1	Lift Frame Kit				
16	72618	1	Stand Assembly – DS				
Item 2				69494 Nose Plate Bolt Kit			
31		1	1-8 x 9 Hex Cap Screw G8	32		1	1-8 Hex Locknut GB
Item 3				67842-1 Pivot Bar Kit			
4	67855	1	Pivot Bolt Kit	33		1	Pivot Bar
Item 4				67855 Pivot Bolt Kit			
34		1	1-8 Hex Locknut GB	36	67552	1	1-8 x 7 Hex Cap Screw G5
35	67748	1	1-8 Hex Jam Nut G5				
Item 6				49033 1/4 Grade 43 Chain Assembly			
37		1	1/4 x 42 Grade 43 Chain	39	90453	1	3/8-16 x 1-1/2 U-Bolt G5
38		1	Plastic Tube	40	91333	2	3/8-16 Hex Locknut GB
Item 15				78790 Lift Frame Kit			
		1	Lift Frame	28	43358	2	Label – Logo, UltraMount 2
27†	69689	1	Label – Logo, SECURITY GUARD	41		1	UHMW Round Flat Washer, Special
Item 18				76722 Receiver Kit – DS			
42	42498	1	Receiver Pin	44		1	Receiver – DS
43	91965K-1	1	5/32 Hairpin Cotter				
Item 19				76718 Receiver Kit – PS			
42	42498	1	Receiver Pin	45		1	Receiver – PS
43	91965K-1	1	5/32 Hairpin Cotter				
Item 20				67847 Stand Shoe Kit			
46		1	Stand Shoe	47	67635	1	1/4 x 2 Roll Pin
Item 21				67844 Stand Lock Pin Kit			
48		1	Lock Pin	50	67726	1	Spring Lock Pin
49	67700	1	3/16 x 1-1/4 Roll Pin				
Item 23				43304 Lift Arm Kit			
24	68740	1	3/4 x 3-1/2 Clevis Pin Kit	51		1	Lift Arm
41		1	UHMW Round Flat Washer, Special	52	43351	1	3/4 x 2 Clevis Pin Kit
Item 52				43351 3/4 x 2 Clevis Pin Kit			
		1	3/4 x 2 Pin	53	91962	1	1/8 Hairpin Cotter
11	91147	1	3/4 Flat Washer				

G = Grade

† Not used for central hydraulics.

MIDWEIGHT™ & PRO-PLOW® Series 2 CENTER ASSEMBLY 75200-1

Hydraulic Unit Components



MIDWEIGHT™ & PRO-PLOW® Series 2 CENTER ASSEMBLY 75200-1

42345-1 Hydraulic Unit 42348-1* Hydraulic Unit Service Kit (not used for central hydraulics)							
Item	Part	Qty	Description	Item	Part	Qty	Description
1	21500-1	1	Motor, 4-1/2"	17	49227K-2	1	Valve, 2-Way w/Nut
2	21727-2K	1	Breather Pressure Control	18	56662	1	Quill Assembly
3	21726K	1	Elbow, Street, 90° 3/8 M NPTF/ 3/8 F NPTF	19	66607	4	#10-24 x 5/16 Slotted Hex Washer-Head Machine Screw
4**	64596-1	1	Sleeve Bearing & Shaft Seal Kit	20 [§]	66515	1	Pump Shaft Seal
5	49230K-2	3	Coil w/Spades	21	56274	1	O-Ring -013
6	49229K-1	1	Cartridge Valve, 4-Way w/Nut	22	90073	5	5/16-18 x 2-1/4 Hex Cap Screw
7	49138K-5	1	Relief Valve Kit (2 sets)	23	56416	1	O-Ring -014
8	92960	2	Plug, Hex Socket –3 M ORB	24	56789-5	1	Suction Filter
9	25622	1	O-Ring -006	25	66519	1	O-Ring 2-250
10	56315	1	Back-Up O-Ring -006	26	92079	1	Plug, Square 3/8 NPTF
11	42346-2	1	Manifold Assembly	27	92095	1	Plug, Hex Socket 1/4 NPTF w/Thread Sealant – SAE 130109N/P
12	56507	1	Bypass Check Valve Kit	28	21830	1	Reservoir Kit
13	77929	3	Elbow, 90° –6 M JIC/–6 M ORB w/Screen	29	66405	1	Return Screen Assembly
14	49226K	1	Poppet Check Valve Kit	30	21501-1	1	Hydraulic Pump Kit
15	42347-2	1	Valve Manifold Assembly	31	73897	1	Magnet
16	66608-1	1	Cartridge Valve, 3-Way w/Nut	32	66763-1	1	Inlet Fitting/Filter Kit
O-Ring Service Kits							
–	56657-6	–	O-Ring & Back-Up Ring Kit	–	49259-2	–	Seal Kit, 3-Way & 4-Way Valve
–	49258-2	–	Seal Kit, 2-Way Valve				
F = Female				M = Male			

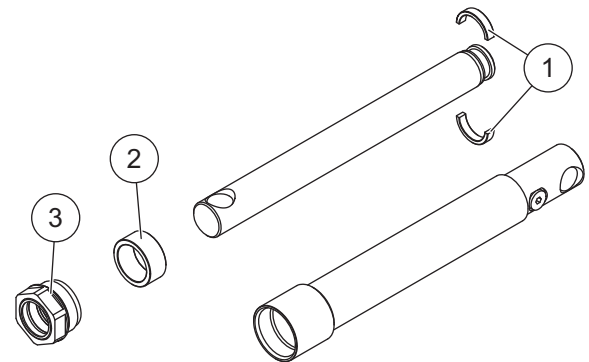
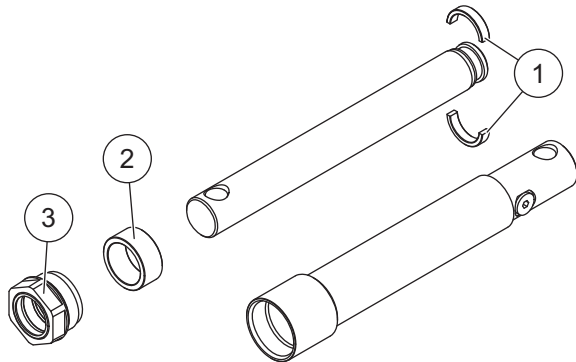
* Includes 42345 hydraulic unit and plow-side electrical components (p. 13).

** Use 64589 tool for bearing sleeve replacement (includes 1 bearing).

† Use 28856 tool for pump shaft seal replacement (includes 1 seal).

MIDWEIGHT™ & PRO-PLOW® Series 2 CTR ASSEMBLY 75200-1/75210-1(CH)

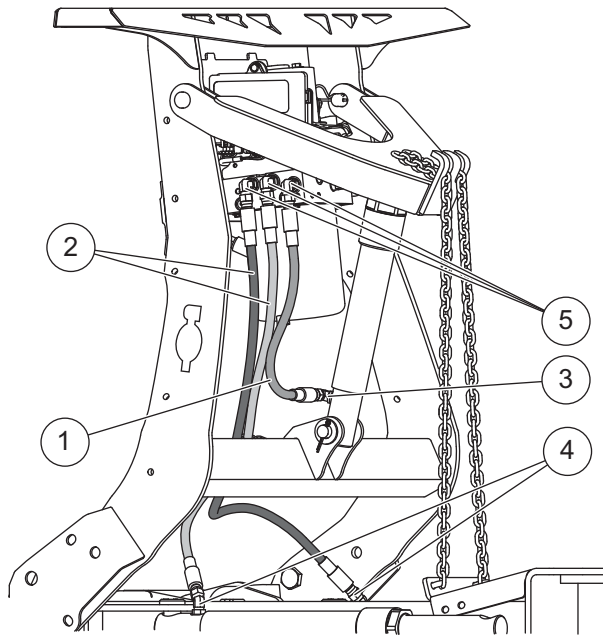
Lift and Angle Ram Components



56538K Lift Ram Assembly 1-1/2 x 8			
Item	Part	Qty	Description
1	64650	1	Split Bearing Kit 1-1/2
2	56537	1	Spacer
3	48985	1	Gland Nut Assembly

64706K Angle Ram Assembly 1-1/2 x 10			
Item	Part	Qty	Description
1	64650	1	Split Bearing Kit 1-1/2
2	56537	1	Spacer
3	48985	1	Gland Nut Assembly

Hoses and Fittings

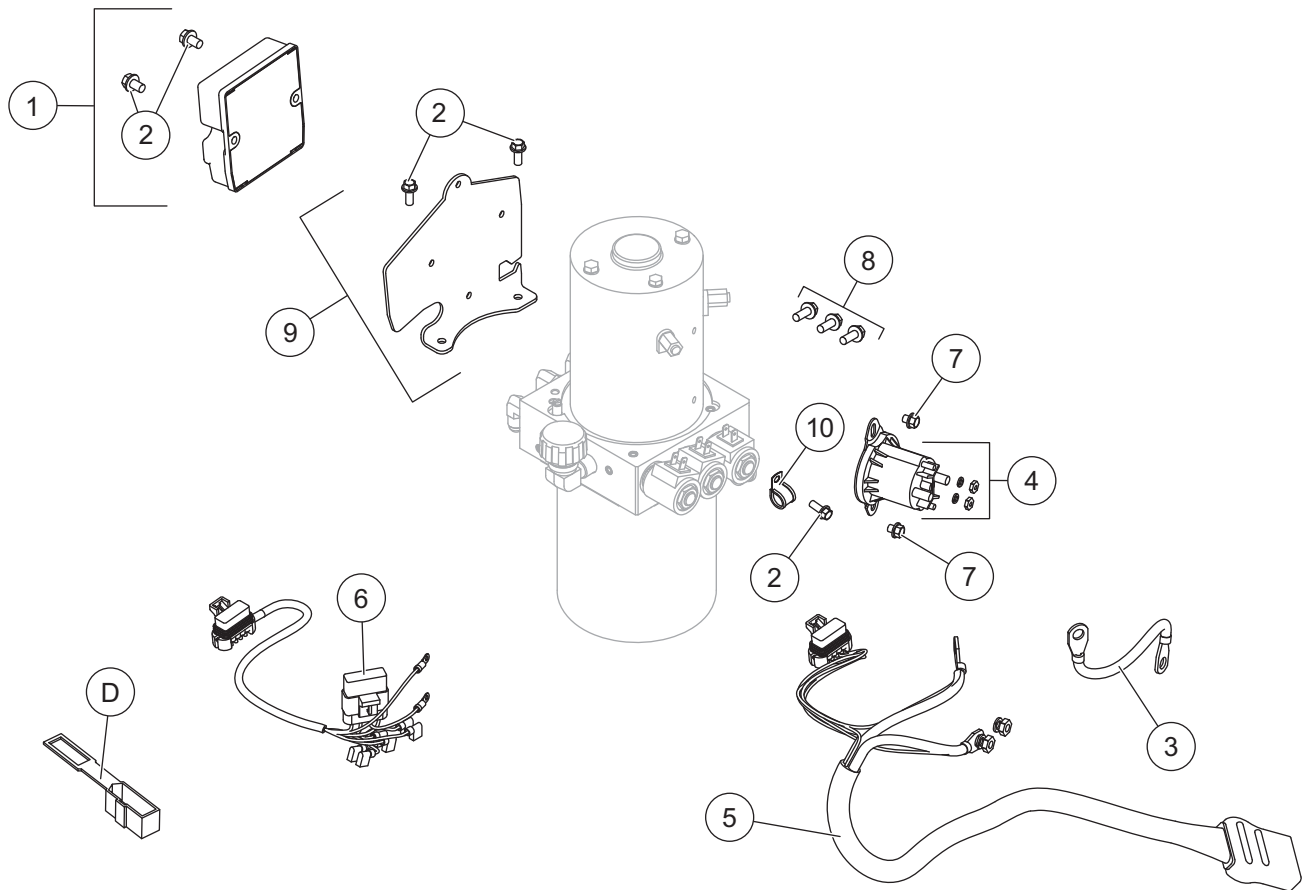


Hoses and Fittings							
Item	Part	Qty	Description	Item	Part	Qty	Description
1†	41094	1	Hose, 1/4 x 18 w/F JIC Ends	4	26694	2	Elbow, 45° -6 M JIC/-6 M ORB
2†	49532	2	Hose, 3/8 x 36 w/F JIC Ends	5	77929	3	Elbow, 90° -6 M JIC/-6 M ORB w/Screen
3	56615-1	1	Elbow, 90° -6 M JIC/-6 M ORB				
			F = Female				M = Male

† Not used for central hydraulics.

MIDWEIGHT™ & PRO-PLOW® Series 2 CTR ASSEMBLY 75200-1/75210-1(CH)

Electrical Components



Plow-Side Electrical Components						
Item	Part	Qty	Description	Item	Part	Qty Description
1	49567	1	Plow Module, 2-Port	7	29099	2 1/4-20 x 1/4 Hex Washer-Head Thread-Rolling Screw
2	44355	5	1/4-20 x 5/8 Hex Washer-Head Thread-Rolling Screw	8	72384	3 3/8-16 x 1 Serrated Flange Cap Screw
3	29071	1	Cable Assembly, 8"	9	42287	1 Bracket – Plow Module
4	42902	1	Motor Relay Kit FLEET FLEX System	10	65340	1 Clamp Loop #10
5	42015	1	Snowplow Battery Cable	ns	56099	1 Dielectric Grease
6	28581-1	1	Harness, Plow Control, 3-Solenoid			

ns = not shown

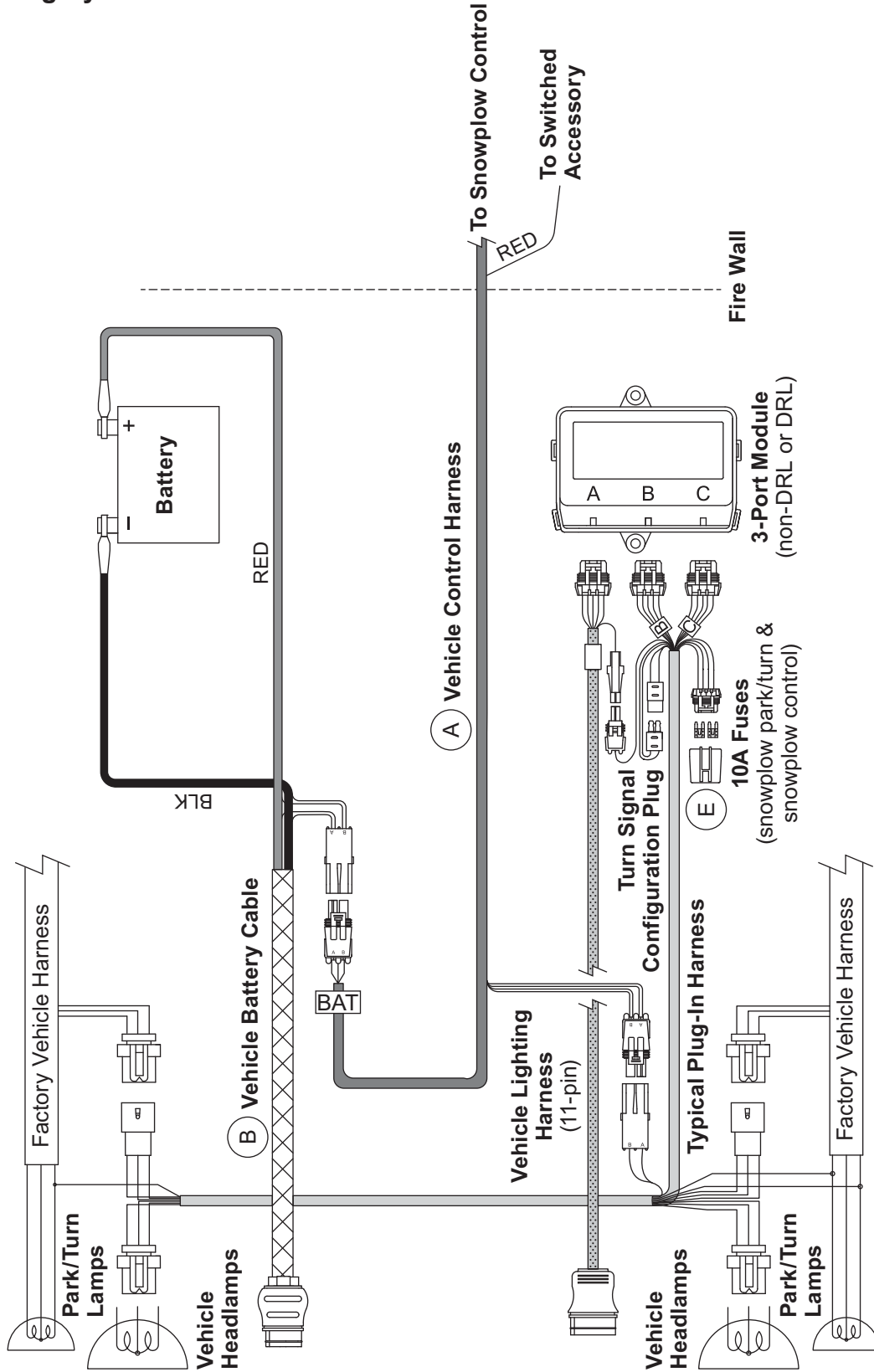
Vehicle-Side Electrical Components (diagrams on following pages)						
A†	28587	1	Vehicle Control Harness	D	61548K	1 Plug Cover Kit (shown with plow-side electrical components)
B†	72527	1	Vehicle Battery Cable	E	29998	1 Fuse Cover (pkg of 5)
C**	26498	1	Vehicle Control Harness – Central Hydraulics			

* For diagram, see Vehicle-Side Harness Diagram – 3-Port, 2-Plug System.

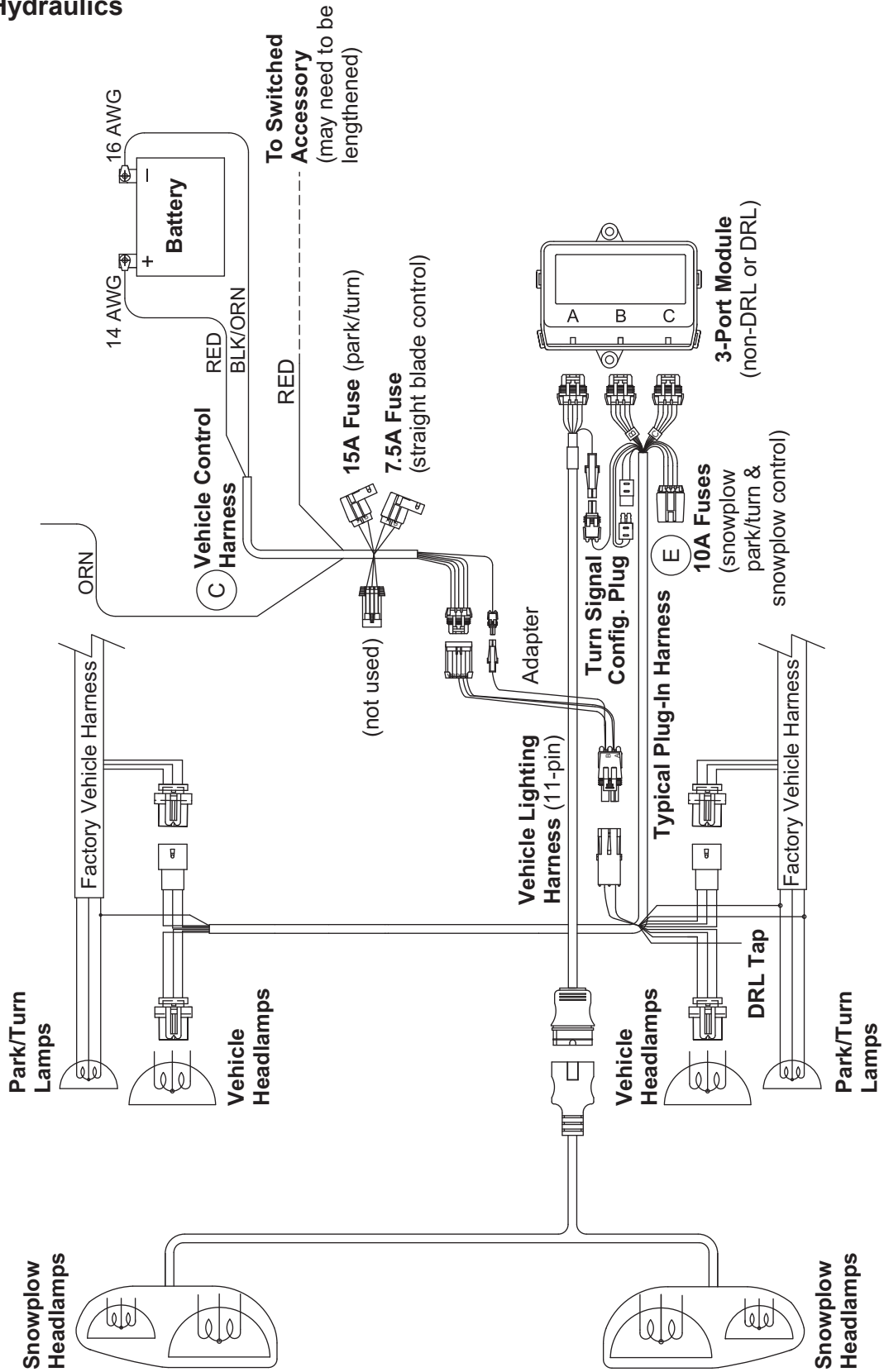
** For diagram, see Vehicle-Side Harness Diagram – Central Hydraulics.

† Not used for central hydraulics.

Vehicle-Side Harness Diagram
3-Port, 2-Plug System

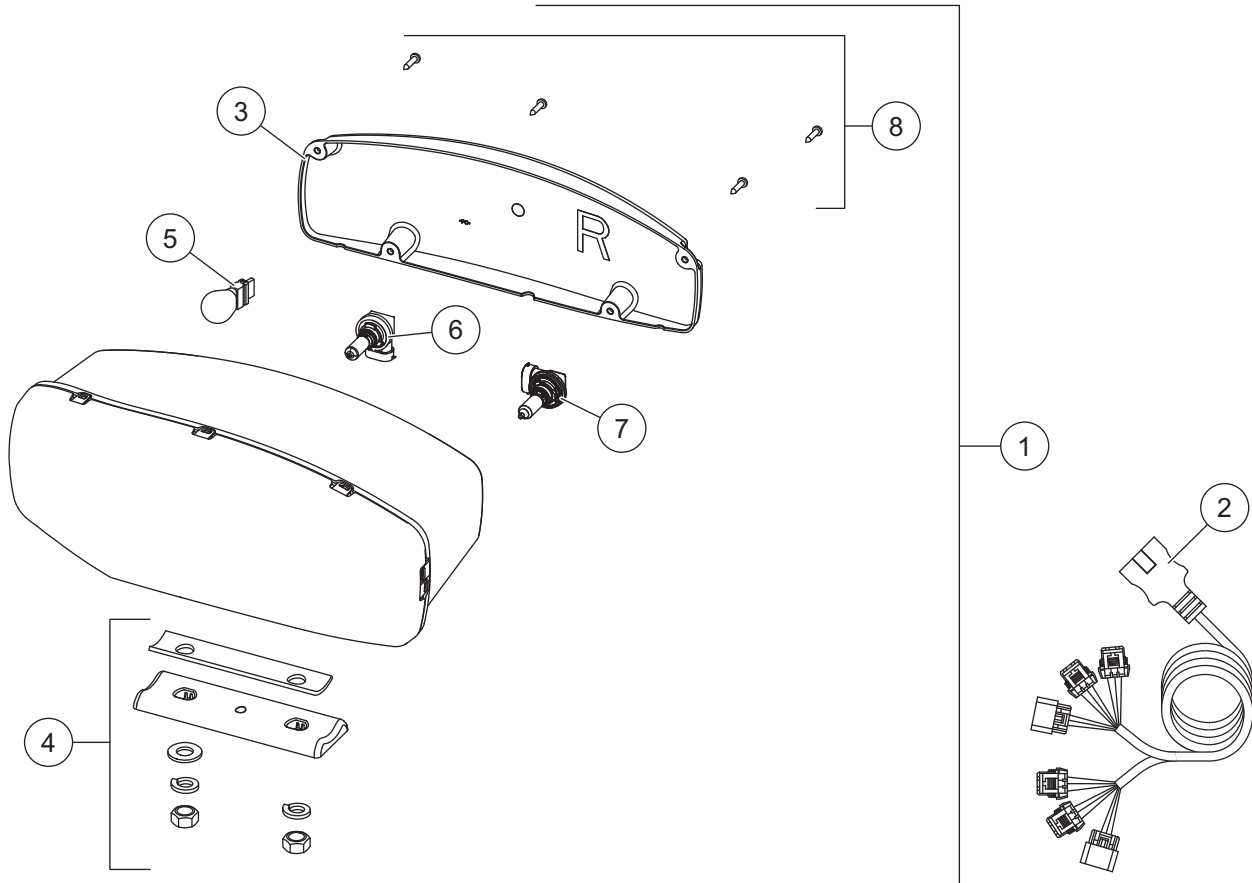


Vehicle-Side Harness Diagram
Central Hydraulics



MIDWEIGHT™ & PRO-PLOW® Series 2 CTR ASSEMBLY 75200-1/75210-1(CH)

Headlamp Kit – Halogen

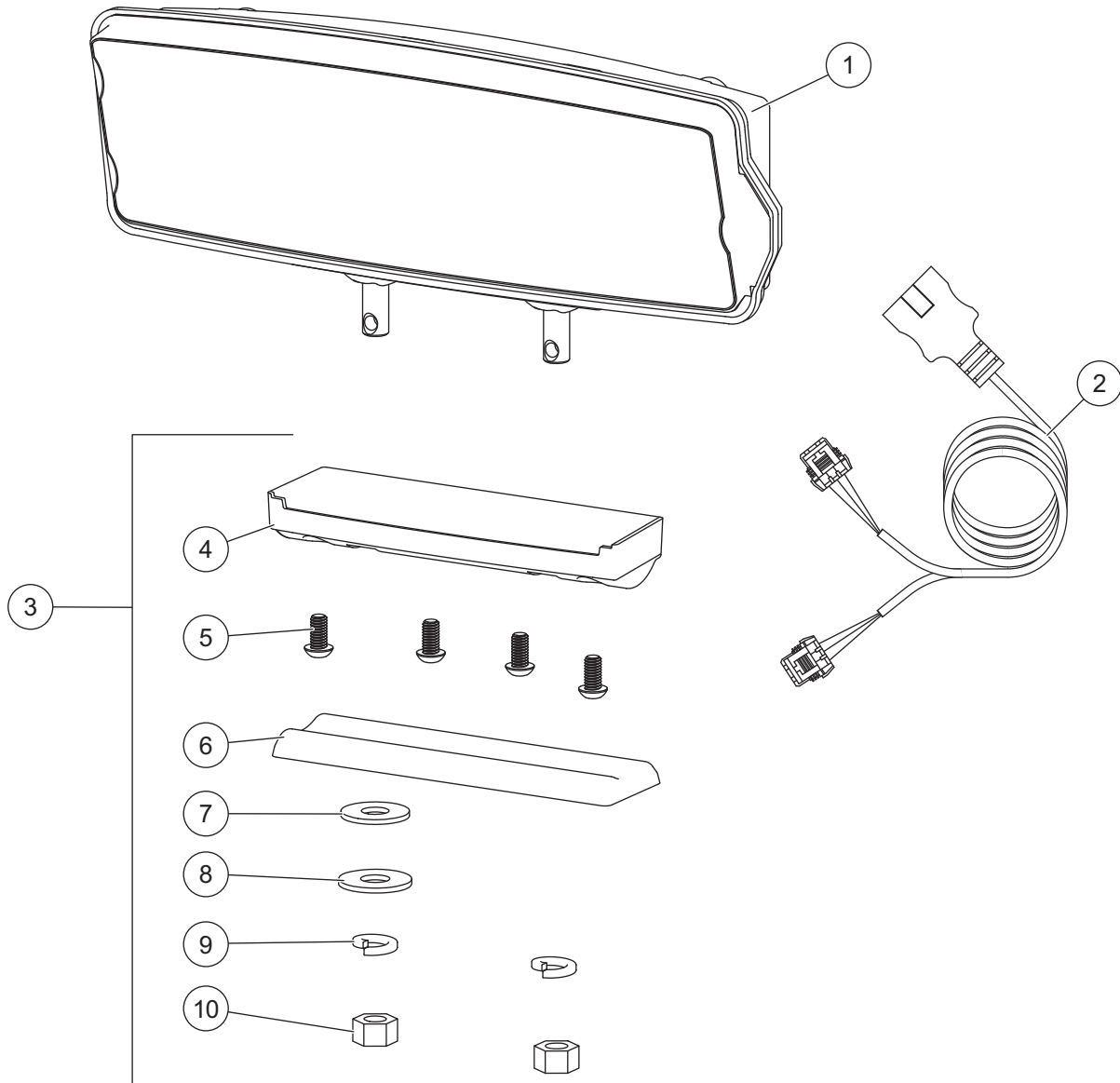


38800 Headlamp Kit H9/H11 (pair)							
Item	Part	Qty	Description	Item	Part	Qty	Description
1	38802	1	Headlamp Service Kit H9/H11 – PS	2	38807	1	Harness Service Kit H9/H11
ns	38801	1	Headlamp Service Kit H9/H11 – DS				
Item 1	38801/38802 Headlamp Service Kit H9/H11 – PS/DS						
3	38803	1	Rear Cover Kit H9/H11 – PS	6	38811	1	Headlamp Bulb Service Kit H11
ns	38812	1	Rear Cover Kit H9/H11 – DS	7	38809	1	Headlamp Bulb Service Kit H9
4	38804	1	Mounting Hardware Kit H9/H11	8	38808	1	Cover Screws Service Kit H9/H11 (pkg of 4)
5		1	Park/Turn Bulb (trade no. 4157NAK)				

ns = not shown

MIDWEIGHT™ & PRO-PLOW® Series 2 CTR ASSEMBLY 75200-1/75210-1(CH)

Headlamp Kit – LED



Headlamp Kit LED							
Item	Part	Qty	Description	Item	Part	Qty	Description
1	39901	1	Headlamp Service Kit LED – DS	3	39903	1	Mounting Hardware Kit LED
ns	39902	1	Headlamp Service Kit LED – PS	ns	72512	1	LED Harness Connector Cover (pkg of 2)
2	72548	1	Harness Service Kit LED				
Item 3				39903 Mounting Hardware Kit LED			
4		1	Plastic Casing	8		1	1/2 Flat Washer
5		4	1/4 Button Cap Screw	9		2	1/2 Lock Washer
6		1	Headlamp Swivel	10		2	1/2 Hex Nut
7		1	1/2 Rubber Washer	ns		1	Metal Insert

ns = not shown



Western Products
PO Box 245038
Milwaukee, WI 53224-9538
www.westernplows.com

 A DIVISION OF DOUGLAS DYNAMICS, LLC

Copyright © 2021 Douglas Dynamics, LLC. All rights reserved. This material may not be reproduced or copied, in whole or in part, in any printed, mechanical, electronic, film, or other distribution and storage media, without the written consent of Western Products. Authorization to photocopy items for internal or personal use by Western Products outlets or snowplow owner is granted.

Western Products reserves the right under its product improvement policy to change construction or design details and furnish equipment when so altered without reference to illustrations or specifications used. Western Products or the vehicle manufacturer may require or recommend optional equipment for snow removal. Do not exceed vehicle ratings with a snowplow. Western Products offers a limited warranty for all snowplows and accessories. See separately printed page for this important information. The following are registered (®) or unregistered (™) trademarks of Douglas Dynamics, LLC: MIDWEIGHT™, POLY PRO-PLOW® Series 2, PRO-PLOW® Series 2, SECURITY GUARD™, ULTRAFINISH™, UltraMount® 2, WESTERN®.

Printed in U.S.A.