



PRO PLUS[®] HD

PRO PLUS[®] HD Snowplow

Blade 76920

**Center Assembly 76900, 76900-3, 76900-4
76910(CH), 76910-3(CH), 76910-4(CH)**

Parts List

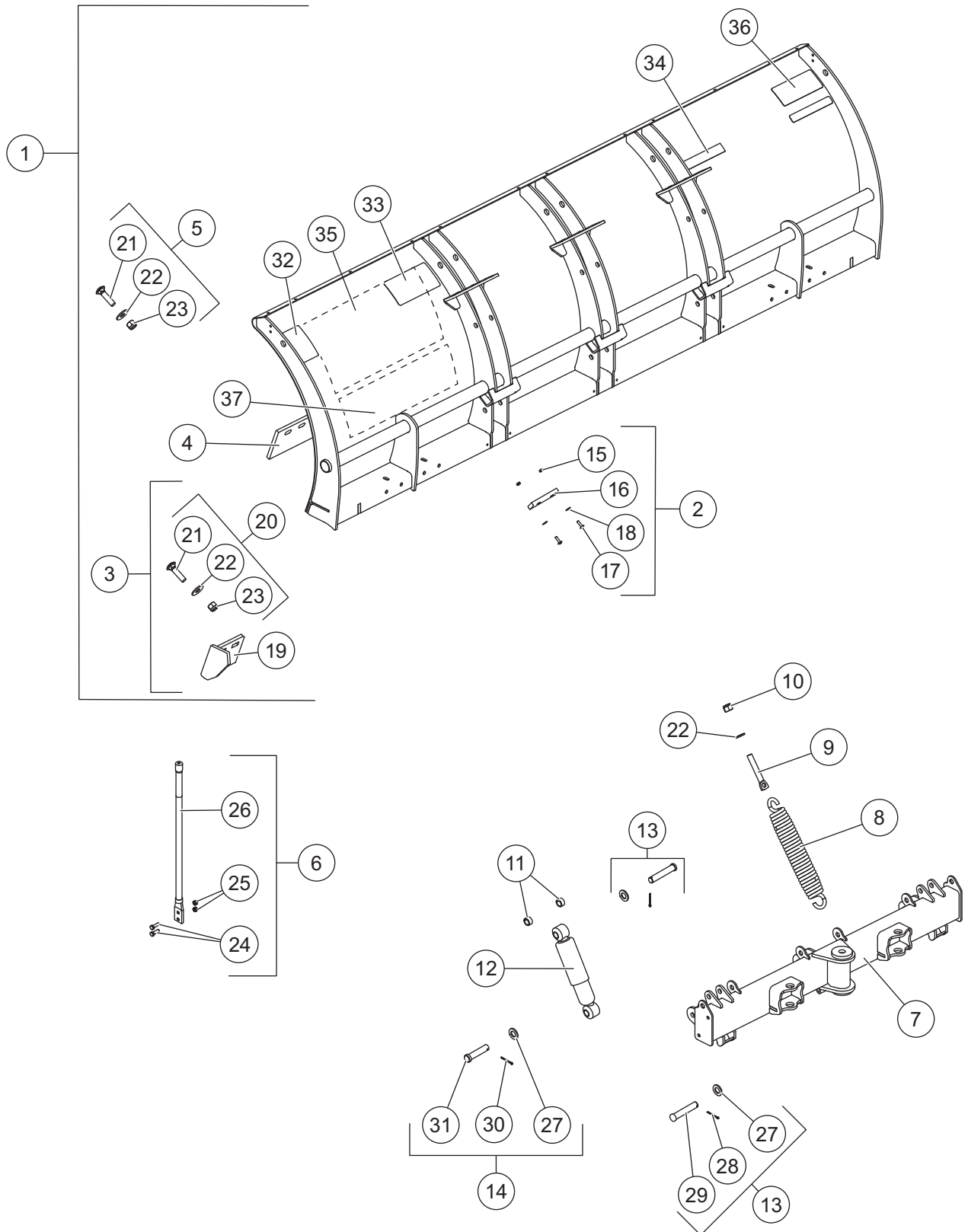


TABLE OF CONTENTS

PRO PLUS® HD BLADE 76920 COMPONENTS	4
Blade Components	4
PRO PLUS® HD CENTER ASSEMBLY 76900, 76900-3, 76900-4, 76910(CH), 76910-3(CH), 76910-4(CH)	6
Lift Frame and A-Frame Components	6
Hydraulic Unit Components	8
Lift and Angle Ram Components.....	10
Hoses and Fittings	10
Electrical Components.....	11
Vehicle-Side Harness Diagram – 3-Port, 2-Plug System.....	12
Vehicle-Side Harness Diagram – Central Hydraulics.....	13
Headlamp Kits.....	14–15

PRO PLUS® HD BLADE 76920

Blade Components



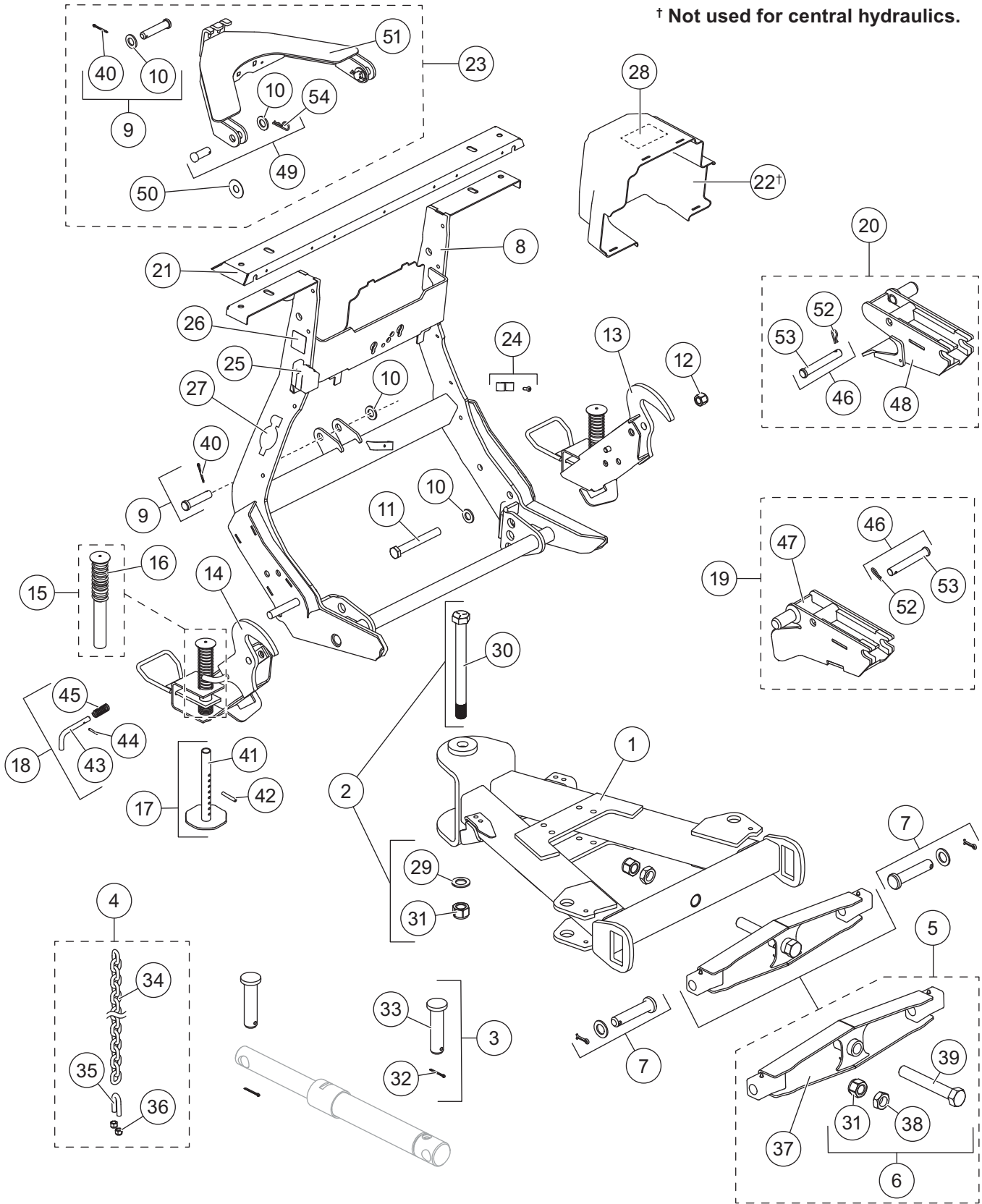
PRO PLUS® HD BLADE 76920

PRO PLUS HD Blade Components							
Item	Part	Qty	Description	Item	Part	Qty	Description
1	72602	1	10' Blade Assembly	12	63979	2	Shock Absorber
2	63977	6	Trip Stop Kit	13	83235	5	3/4 x 4-3/8 Clevis Pin Kit
3	80295	1	PRO PLUS HD Cutting Edge/ Curb Guard Kit	14	83236	2	3/4 x 3-1/4 Clevis Pin Kit
4	63990	1	9' Cutting Edge Kit (incl. item 5)	ns	85451	1	Label Kit – UltraMount® 2 PRO PLUS HD Blade
5	29351	1	Bolt Bag, Cutting Edge	ns	96917*	1	Blade Stop Kit
6	62595	2	Blade Guide Kit	ns	84506-1*	1	Shoe Kit
7	74533	1	Quadrant	ns	79238*	1	High Wear Shoe Kit
8	23039	6	Trip Spring	ns	57409*	1	10" Rubber Deflector Kit
9	90490	6	5/8-11 x 4 Eyebolt	ns	57425*	1	18" Rubber Deflector Kit
10	91416	6	5/8-11 Hex Nut G5	ns	44403*	1	Cast Curb Guard Kit
11	63211	4	Spacer .758 ID x 1 OD x .5 LG				
Item 2				63977 Trip Stop Kit			
15		2	1/4-20 Hex Locknut G5	17		2	1/4-20 x 1-1/4 Hex Cap Screw G5
16		1	Bumper	18		2	1/4 Flat Washer
Item 3				80295 PRO PLUS HD Cutting Edge/Curb Guard Kit			
19	86663	1	Curb Guard – DS	20	80298	1	Bolt Bag, Cutting Edge/Curb Guard
ns	86664	1	Curb Guard – PS				
Item 5				29351 Bolt Bag, Cutting Edge			
21		10	5/8-11 x 2-1/2 Carriage Bolt G5	23		10	5/8-11 Hex Locknut GB
22		10	5/8 Hardened Flat Washer				
Item 6				62595 Blade Guide Kit			
24		4	5/16-18 x 1 Hex Cap Screw G5	26	62578	2	Blade Guide, Poly 24" w/Label
25		4	5/16-18 Hex Locknut GB				
Item 13				83235 3/4 x 4-3/8 Clevis Pin Kit			
27		1	3/4 Flat Washer	29		1	3/4 x 4-3/8 Clevis Pin
28		1	5/32 x 1-1/2 Cotter Pin Kit				
Item 14				83236 3/4 x 3-1/4 Clevis Pin Kit			
27		1	3/4 Flat Washer	31		1	3/4 x 3-1/4 Clevis Pin
30		1	5/32 x 1-1/4 Cotter Pin				
Item 20				80298 Bolt Bag, Cutting Edge/Curb Guard			
21		4	5/8-11 x 2-1/2 Carriage Bolt G5	23		4	5/8-11 Hex Locknut GB
22		4	5/8 Hardened Flat Washer				
85451 Label Kit – UltraMount 2 PRO PLUS HD Blade							
32	59900	1	Label – Warning/Caution, Snowplows	35	40986	1	Label – Logo, CONTRACTOR GRADE®
33	43360	1	Label – Attach/Detach, UltraMount 2	36	44451	1	Label – Logo, WESTERN® 8.31"
34	28404	1	Label – Logo, ULTRAFINISH™	37	92977	1	Label – Logo, PRO PLUS HD
ns = not shown				G = Grade			

* Accessory only.

PRO PLUS® HD CENTER ASSY 76900/76900-3 & -4/76910(CH)/76910-3 & -4(CH)

Lift Frame and A-Frame Components



PRO PLUS® HD CENTER ASSY 76900/76900-3 & -4/76910(CH)/76910-3 & -4(CH)

PRO PLUS HD Lift Frame and A-Frame Components							
Item	Part	Qty	Description	Item	Part	Qty	Description
1	77280	1	A-Frame	16	67636	2	Spring Lock Stand
2	87760	1	Pivot Bolt Kit – PRO PLUS HD	17	67847	2	Stand Shoe Kit
3	87761	4	Ram Pin Kit	18	67844	2	Stand Lock Pin Kit
4	49033	2	1/4 Grade 43 Chain Assembly	19	96294	1	Receiver Kit, PRO PLUS HD – DS
5	67842-1	1	Pivot Bar Kit	20	96295	1	Receiver Kit, PRO PLUS HD – PS
6	67855	1	Pivot Bar Bolt Kit	21	43302	1	Light Channel
7	49645	2	Pivot Bar Pin Kit	22 [†]	68314-1	1	Hydraulic Unit Cover (incl. item 28)
8	76870	1	Lift Frame (incl. items 26 & 27)	23	43304	1	Lift Arm Kit
9	68740	2	3/4 x 3-1/2 Clevis Pin Kit	24	49479-1	1	Hose Bracket Kit
10	91147	2	3/4 Flat Washer	25	61246	1	Cable Boot
11	66451	2	3/4-10 x 6 Hex Cap Screw G5	26	69689	1	Label – Logo, SECURITY GUARD™
12	91338	2	3/4-10 Hex Locknut GB	27	43358	2	Label – Logo, UltraMount® 2
13	92125	1	Stand Assembly, PRO PLUS HD – PS	28	43353	1	Label – Hydraulic Information, Straight Blade
14	92124	1	Stand Assembly, PRO PLUS HD – DS				
15	48523	2	Plunger w/Spring				
Item 2 87760 Pivot Bolt Kit – PRO PLUS HD							
29	91192	1	Round Flat Washer, Special	31	91340	1	1-8 Hex Locknut GB
30	11753	1	1-8 x 11-1/4 Hex Cap Screw G8				
Item 3 87761 Ram Pin Kit							
32	90013	1	1/4 x 2 Cotter Pin	33	20790	1	1-1/4 x 5 Commercial Cylinder Pin
Item 4 49033 1/4 Grade 43 Chain Assembly							
34		1	1/4 x 42 Grade 43 Chain	36	91333	2	3/8-16 Hex Locknut GB
35	90453	1	3/8-16 x 1-1/2 U-Bolt G5				
Item 5 67842-1 Pivot Bar Kit							
6	67855	1	Pivot Bar Bolt Kit	37		1	Pivot Bar
Item 6 67855 Pivot Bar Bolt Kit							
31	91340	1	1-8 Hex Locknut GB	39	67552	1	1-8 x 7 Hex Cap Screw G5
38	67748	1	1-8 Hex Jam Nut G5				
Item 9 68740 3/4 x 3-1/2 Clevis Pin Kit							
10	91147	1	3/4 Flat Washer	40	91911	1	5/32 x 1-1/2 Cotter Pin
Item 17 67847 Stand Shoe Kit							
41		1	Stand Shoe	42	67635	1	1/4 x 2 Roll Pin
Item 18 67844 Stand Lock Pin Kit							
43		1	Lock Pin	45	67726	1	Spring Lock Pin, Stand
44	67700	1	3/16 x 1-1/4 Roll Pin				
Item 19 96294 Receiver Kit, PRO PLUS HD – DS							
46	84611	1	Receiver Pin Kit	47		1	Receiver, PRO PLUS HD – DS
Item 20 96295 Receiver Kit, PRO PLUS HD – PS							
46	84611	1	Receiver Pin Kit	48		1	Receiver, PRO PLUS HD – PS
Item 23 43304 Lift Arm Kit							
9	68740	1	3/4 x 3-1/2 Clevis Pin Kit	50		2	UHMW Round Flat Washer, Special
49	43351	2	3/4 x 2 Clevis Pin Kit	51		1	Lift Arm
Item 46 84611 Receiver Pin Kit							
52	42142	1	R-Pin Cotter	53	95739	1	3/4 x 5 Clevis Pin HT
Item 49 43351 3/4 x 2 Clevis Pin Kit							
10	91147	1	3/4 Flat Washer	54	91962	1	1/8 Hairpin Cotter

ns = not shown

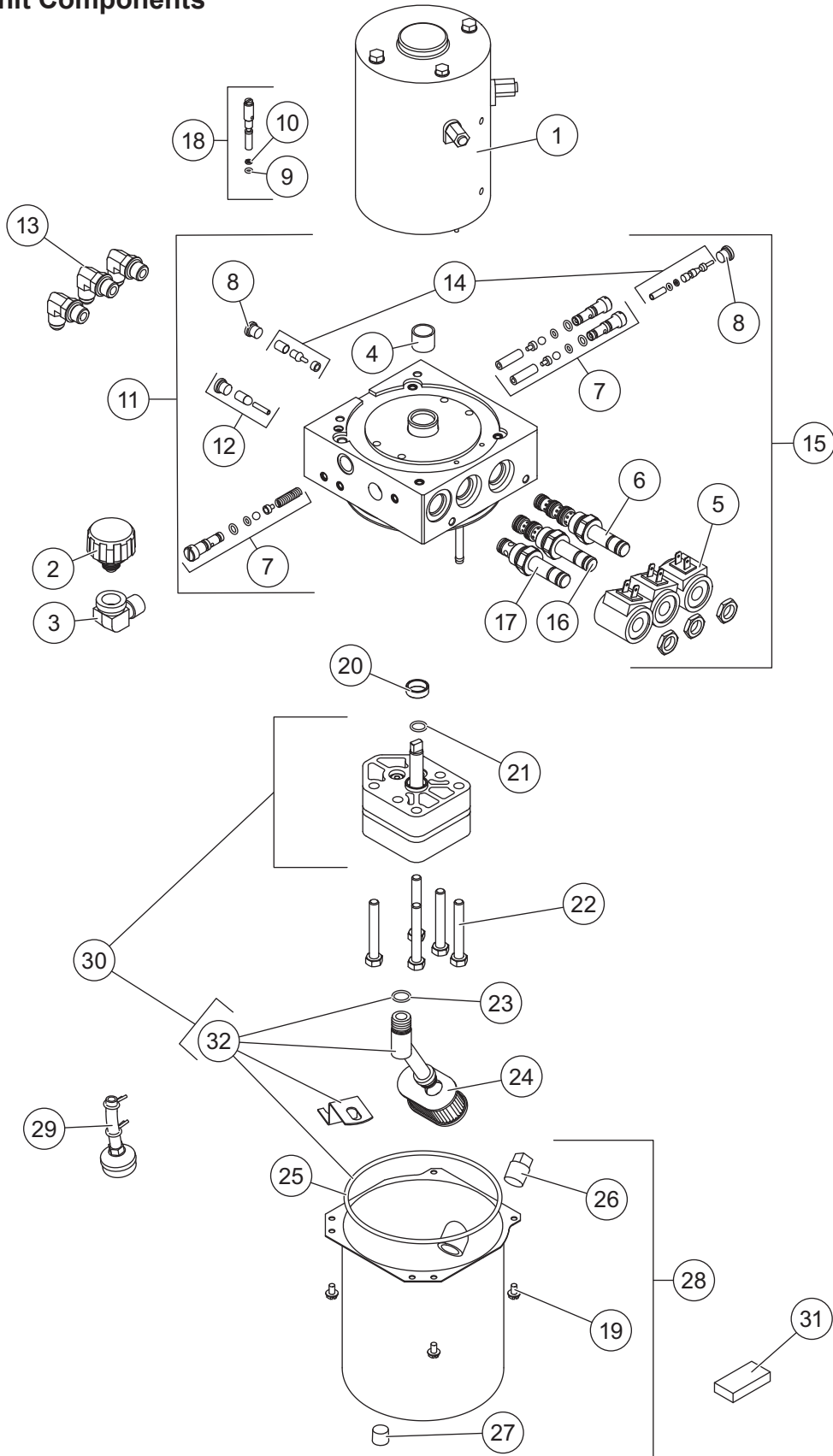
G = Grade

HT = Heat Treated

[†] Not used for central hydraulics.

PRO PLUS® HD CENTER ASSEMBLY 76900/76900-3/76900-4

Hydraulic Unit Components



PRO PLUS® HD CENTER ASSEMBLY 76900/76900-3/76900-4

72354 Hydraulic Unit 72355* Hydraulic Unit Service Kit (not used for central hydraulics)							
Item	Part	Qty	Description	Item	Part	Qty	Description
1	21500-1	1	Motor, 4-1/2	17	49227K-2	1	Valve, 2-Way w/Nut
2	21727-2K	1	Breather Pressure Control	18	56662	1	Quill Assembly
3	21726K	1	Elbow, Street 90° 3/8 M NPTF/ 3/8 F NPTF	19	66607	4	#10-24 x 5/16 Slotted Hex Washer-Head Machine Screw
4†	64596-1	1	Sleeve Bearing & Shaft Seal Kit	20‡	66515	1	Pump Shaft Seal
5	49230K-2	3	Coil w/Spades	21	56274	1	O-Ring -013
6	49229K-1	1	Cartridge Valve, 4-Way w/Nut	22	90073	5	5/16-18 x 2-1/4 Hex Cap Screw
7	49138K-5	1	Relief Valve Kit (2 sets)	23	56416	1	O-Ring -014
8	92960	2	Plug, Hex Socket –3 M ORB	24	56789-5	1	Suction Filter
9	25622	1	O-Ring -006	25	66519	1	O-Ring 2-250
10	56315	1	Back-Up O-Ring -006	26	92079	1	Plug, Square 3/8 NPTF
11	42346-2	1	Manifold Assembly	27	92095	1	Plug, Hex Socket 1/4 NPTF w/Thread Sealant – SAE 130109N/P
12	56507	1	Bypass Check Valve Kit	28	21830	1	Reservoir Kit
13	77929	3	Elbow, 90° –6 M JIC/–6 M ORB w/Screen	29	66405	1	Return Screen Assembly
14	49226K	1	Poppet Check Valve Kit	30	21501-1	1	Hydraulic Pump Kit
15	42347-2	1	Valve Manifold Assembly	31	73897	1	Magnet
16	66608-1	1	Cartridge Valve, 3-Way w/Nut	32	66763-1	1	Inlet Fitting/Filter Kit
O-Ring Service Kits							
–	56657-6	–	O-Ring & Back-Up Ring Kit	–	49259-2	–	Seal Kit, 3-Way & 4-Way Valve
–	49258-2	–	Seal Kit, 2-Way Valve				
F = Female				M = Male			

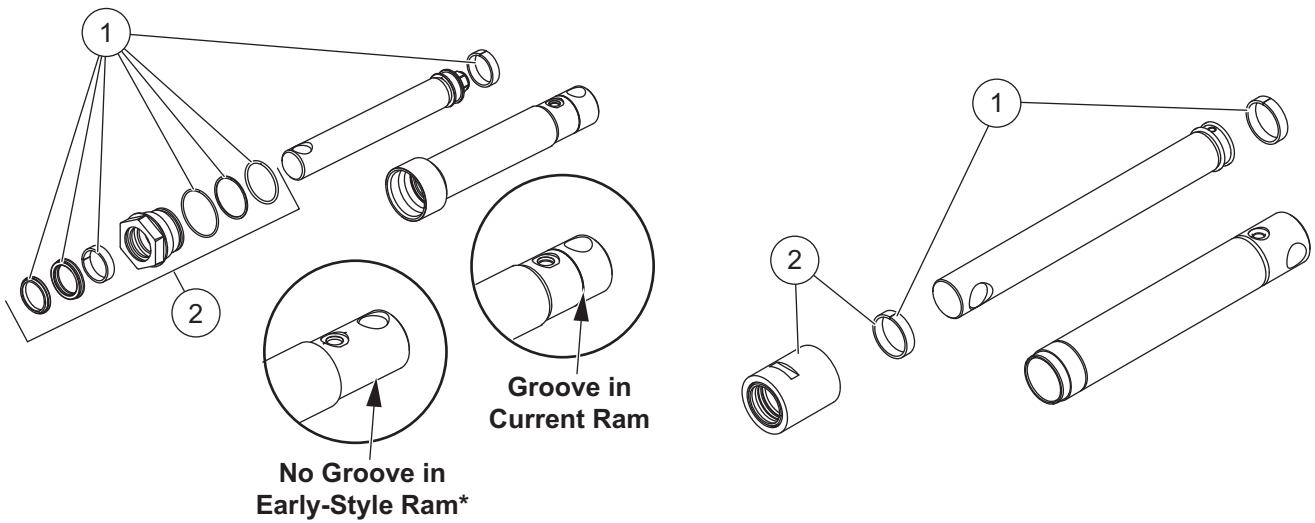
* Includes 72354 hydraulic unit and plow-side electrical components (p. 11).

† Use 64589 tool for bearing sleeve replacement (includes 1 bearing).

‡ Use 28856 tool for pump shaft seal replacement (includes 1 seal).

PRO PLUS® HD CENTER ASSY 76900/76900-3 & -4/76910(CH)/76910-3 & -4(CH)

Lift and Angle Ram Components



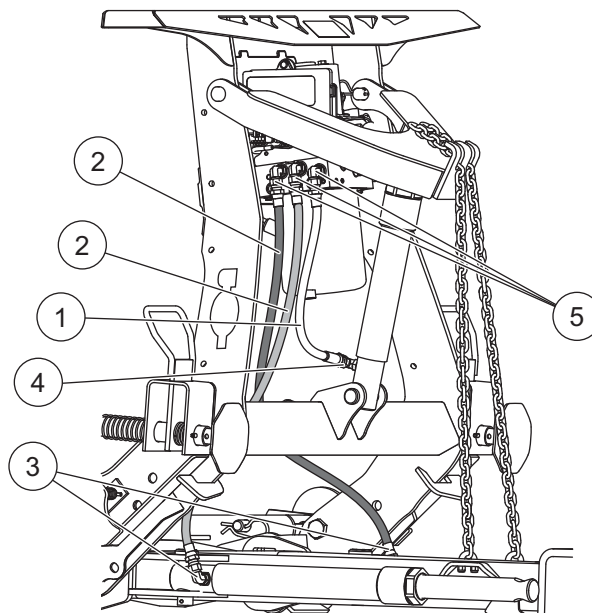
43149-1 Lift Ram Assembly 1-3/4 x 8			
Item	Part	Qty	Description
1	77924	1	Seal Kit
2	43135	1	Gland Nut Assembly

* Old-style lift rams are obsolete and should be replaced with current-style lift ram.

72620 Angle Ram Assembly 2 x 12-1/2			
Item	Part	Qty	Description
1	51427	2	Wear Ring
2	57125	1	Gland Nut Assembly

Angle ram accessory: 72392 Gland Nut Wrench Kit

Hoses and Fittings



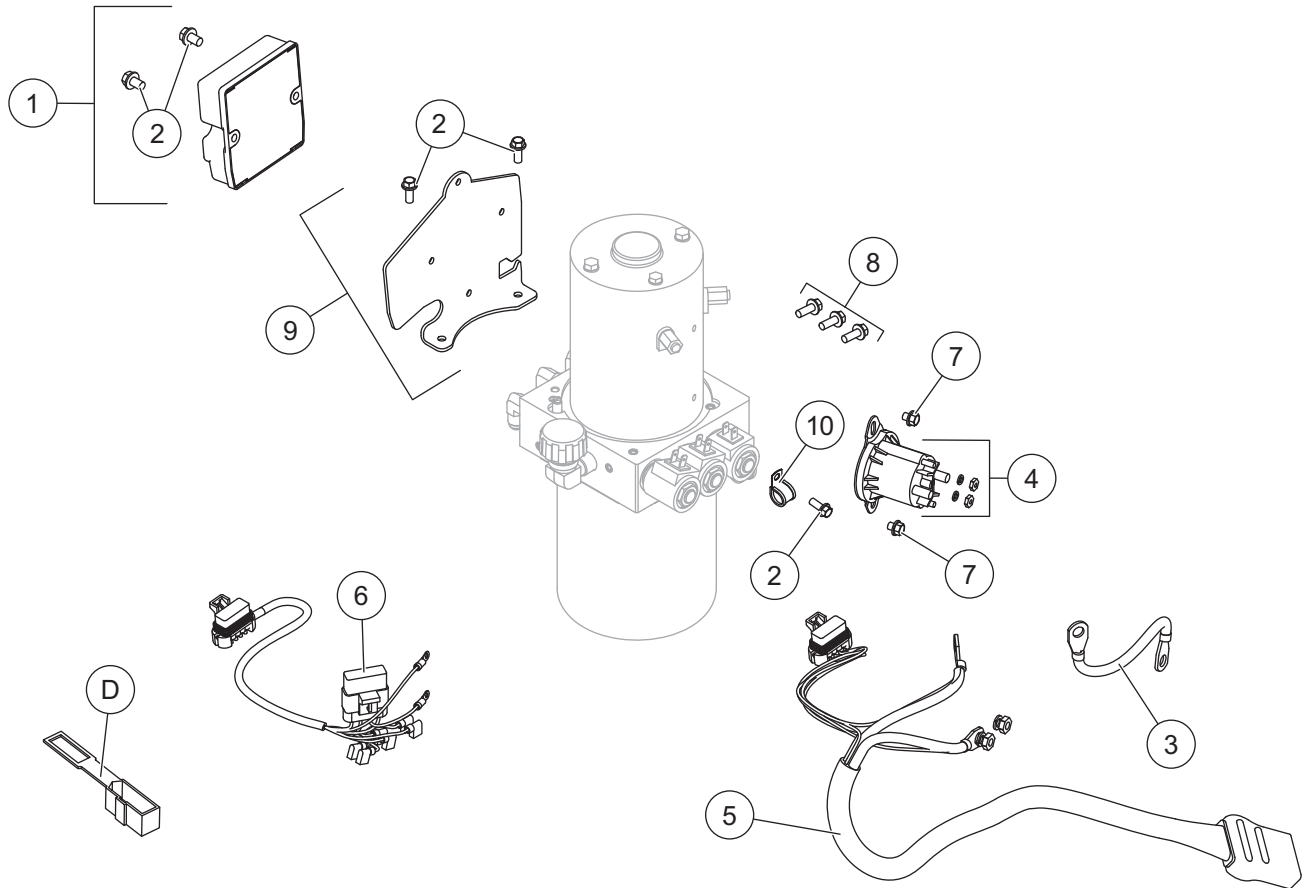
Hoses and Fittings							
Item	Part	Qty	Description	Item	Part	Qty	Description
1 [†]	41094	1	Hose, 1/4 x 18 w/F JIC Ends	4	49526	1	Connector, Short -6 M JIC/-6 M ORB
2 [†]	49496	2	Hose, 3/8 x 42 w/F JIC Ends	5	77929	3	Elbow, 90° -6 M JIC/-6 M ORB w/Screen
3	56615-1	2 [‡]	Elbow, 90° -6 M JIC/-6 M ORB				
F = Female				M = Male			

[†] Not used for central hydraulics.

[‡] Qty 2 for central hydraulics applications.

PRO PLUS® HD CENTER ASSY 76900/76900-3 & -4/76910(CH)/76910-3 & -4(CH)

Electrical Components



Plow-Side Electrical Components							
Item	Part	Qty	Description	Item	Part	Qty	Description
1	49567	1	Plow Module, 2-Port	7	29099	2	1/4-20 x 1/4 Hex Washer-Head Thread-Rolling Screw
2	44355	5	1/4-20 x 5/8 Hex Washer-Head Thread-Rolling Screw	8	72384	3	3/8-16 x 1 Serrated Flange Hex Cap Screw
3	29071	1	Cable Assembly 8"	9	42287	1	Bracket – Plow Module
4	42902	1	Motor Relay Kit FLEET FLEX System	10	65340	1	Clamp Loop #10
5	42015	1	Snowplow Battery Cable	ns	56099	1	Dielectric Grease
6	28581-1	1	Harness Plow Control, 3-Solenoid				

ns = not shown

Vehicle-Side Electrical Components (diagrams on following pages)							
A*†	28587	1	Vehicle Control Harness	E	29998	1	Fuse Cover (pkg of 5)
B*†	42014	1	Vehicle Battery Cable	F†‡	90730	1	200A Fuse Kit
C‡	26498	1	Vehicle Control Harness – Central Hydraulics	ns	11766	1	Truck-Side Electrical Kit, FLEET FLEX System (incl. items A, B, C)
D	61548K	1	Plug Cover Kit (shown with plow-side electrical components)				

ns = not shown

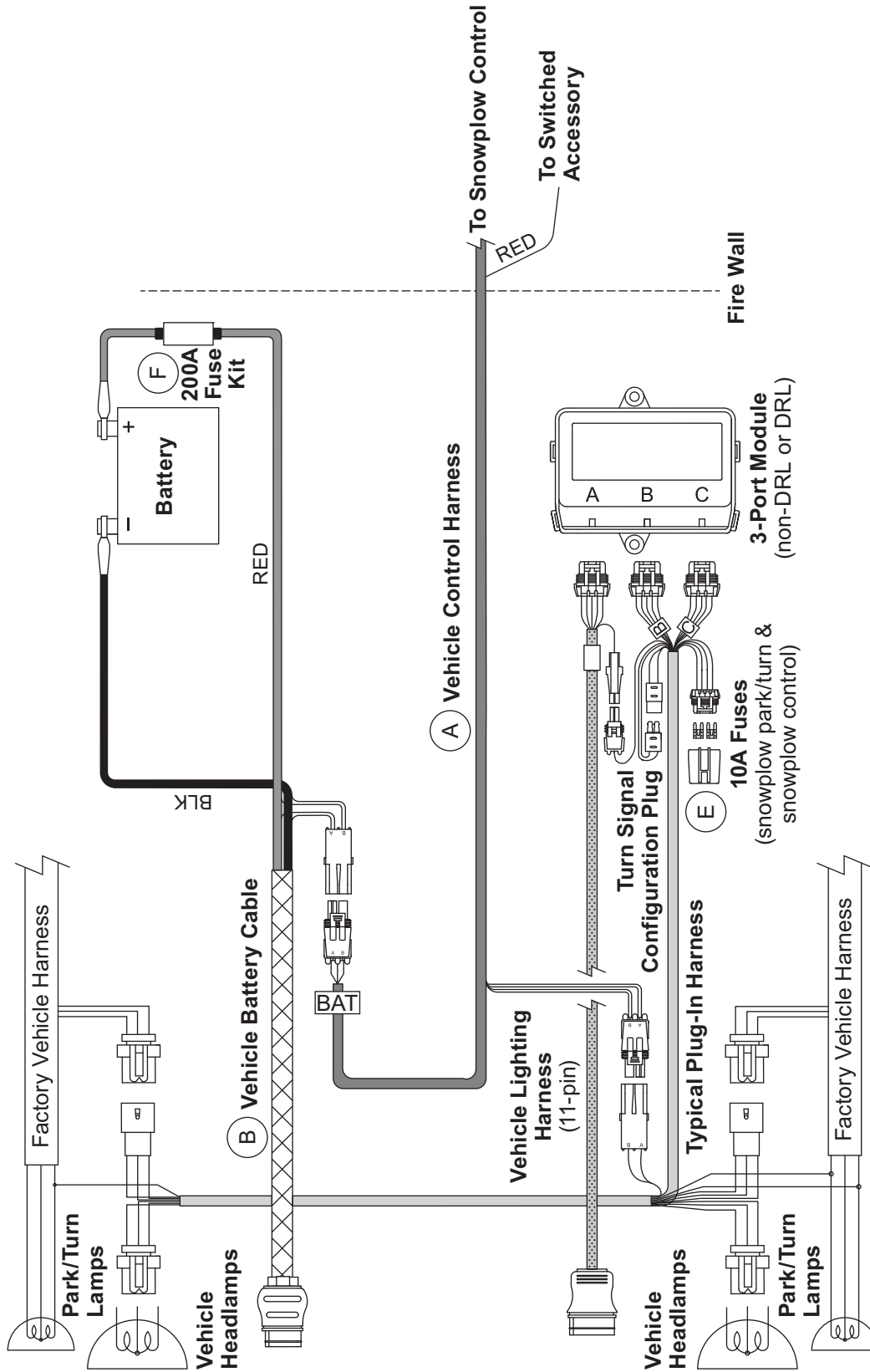
* Not used for central hydraulics.

† For diagram, see Vehicle-Side Harness Diagram – 3-Port, 2-Plug System.

‡ For diagram, see Vehicle-Side Harness Diagram – Central Hydraulics.

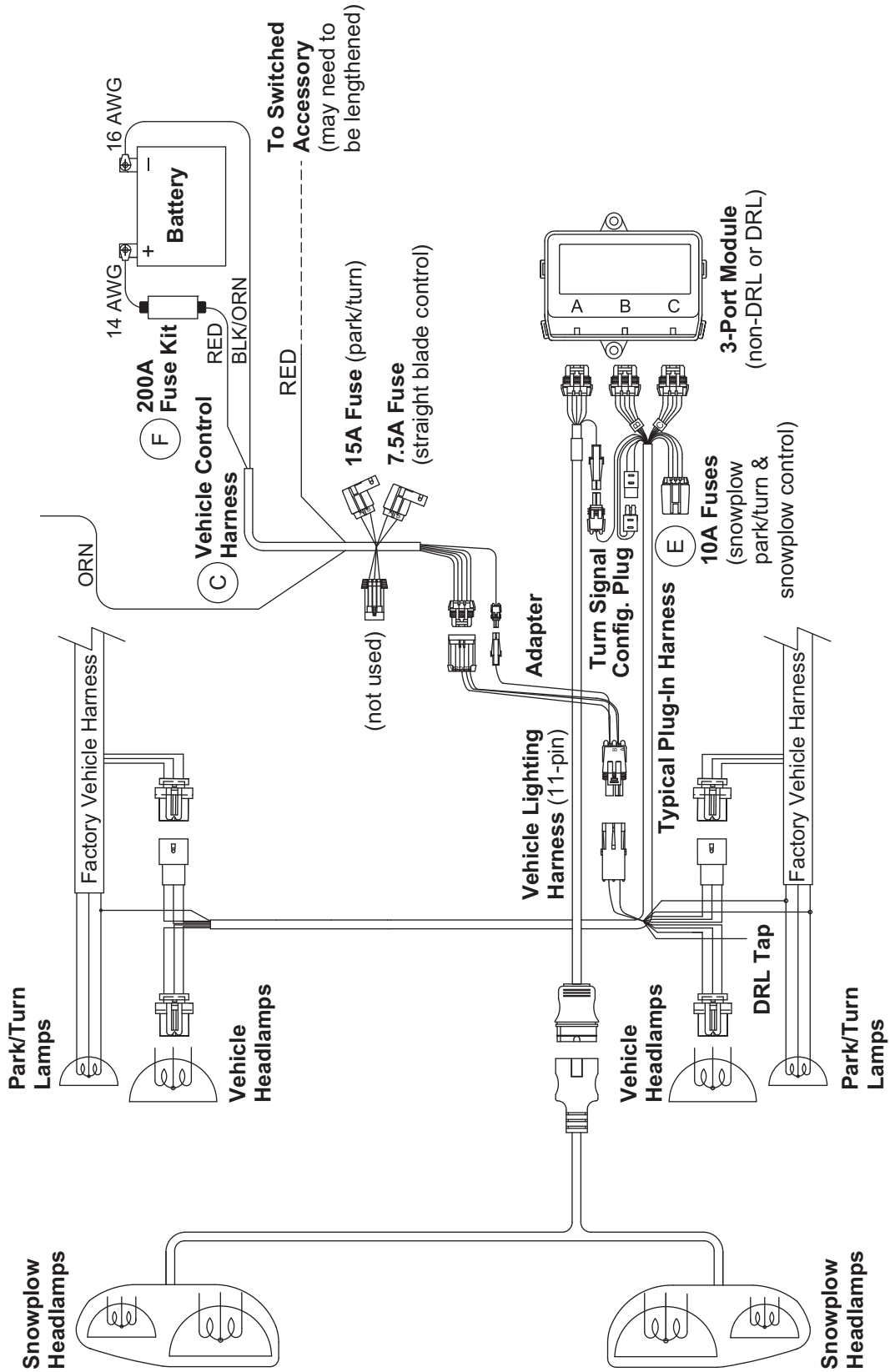
PRO PLUS® HD CENTER ASSEMBLY 76900

Vehicle-Side Harness Diagram – 3-Port, 2-Plug System



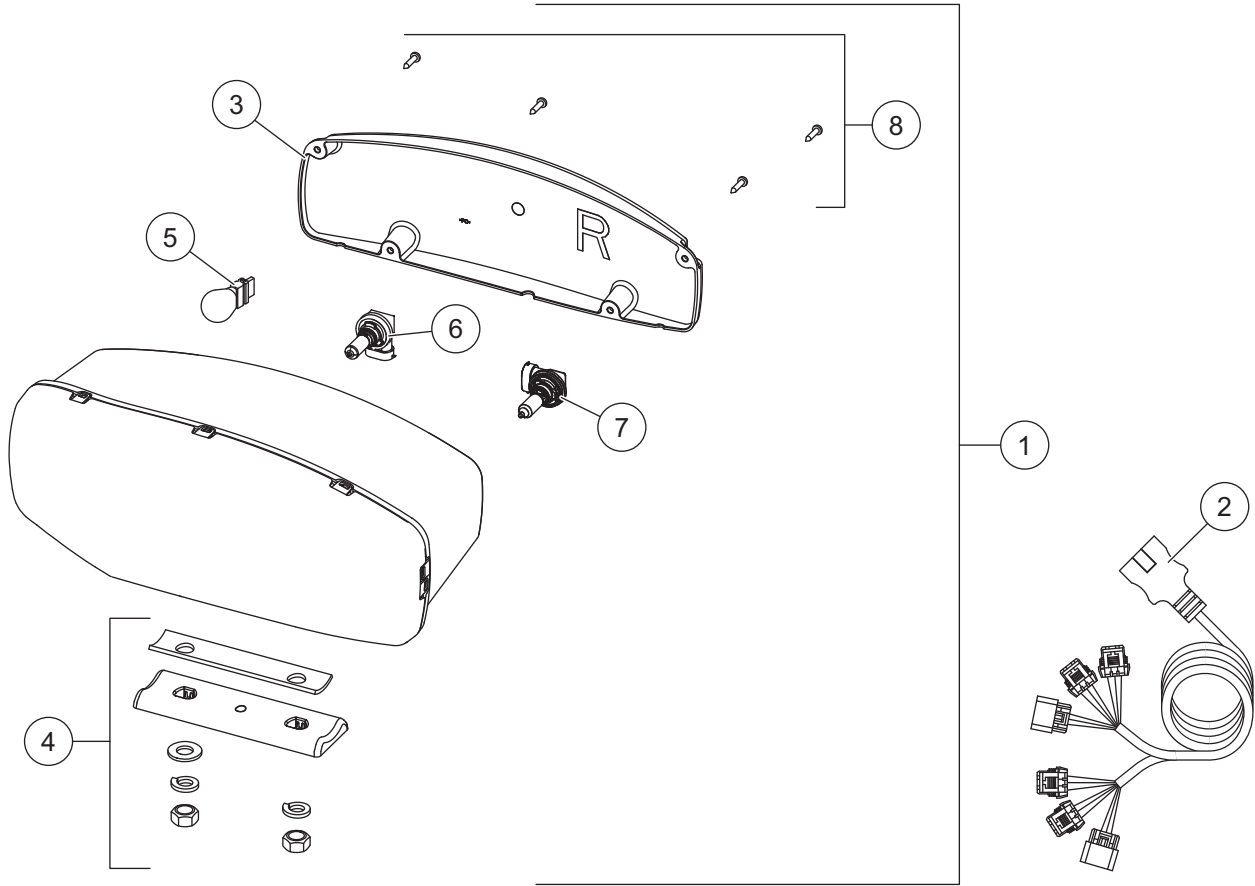
PRO PLUS® HD CENTER ASSEMBLY 76910(CH)

Vehicle-Side Harness Diagram – Central Hydraulics



PRO PLUS® HD CENTER ASSEMBLY 76900/76910 (CH)

Headlamp Kit – Halogen

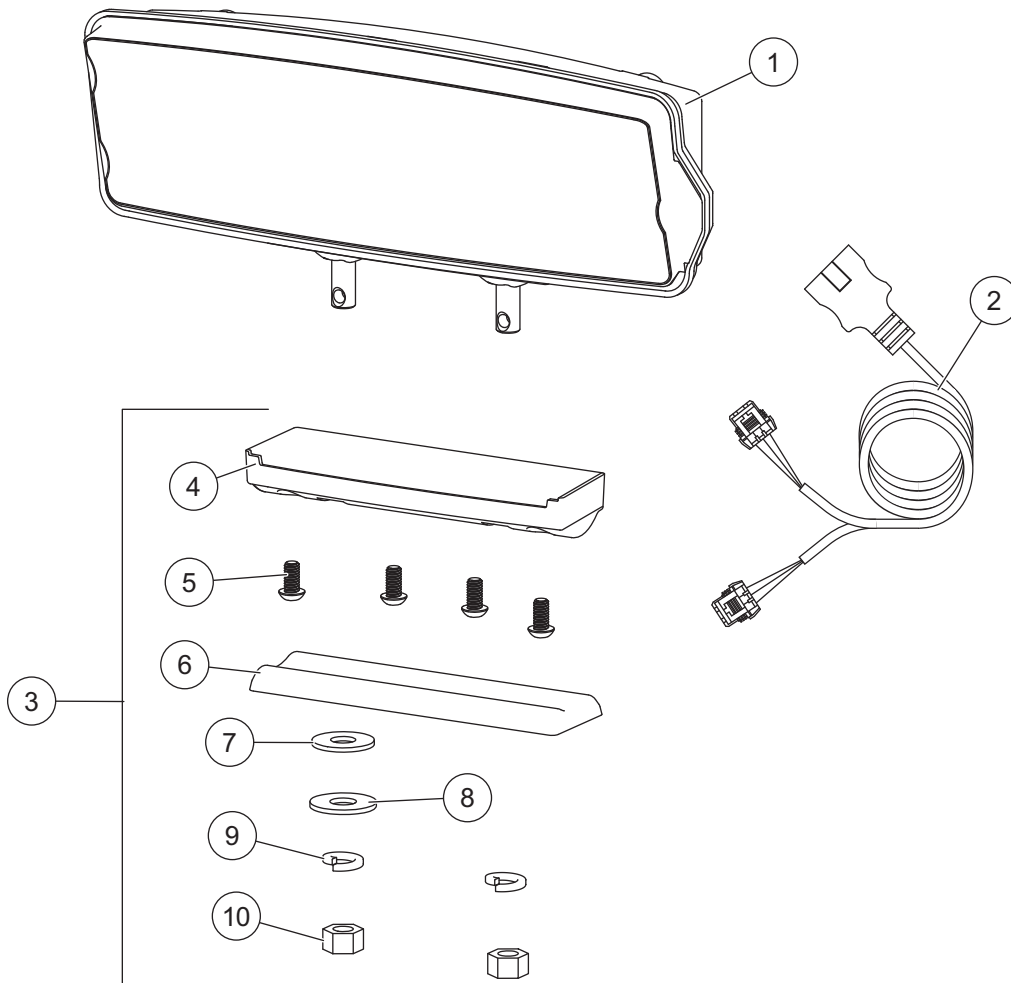


38800 Headlamp Kit H9/H11 (pair)							
Item	Part	Qty	Description	Item	Part	Qty	Description
1	38802	1	Headlamp Service Kit H9/H11 – PS	2	38807	1	Harness Service Kit H9/H11
ns	38801	1	Headlamp Service Kit H9/H11 – DS				
Item 1	38801/38802 Headlamp Service Kit H9/H11 – PS/DS						
3	38803	1	Rear Cover Kit H9/H11 – PS	6	38811	1	Headlamp Bulb Service Kit H11
ns	38812	1	Rear Cover Kit H9/H11 – DS	7	38809	1	Headlamp Bulb Service Kit H9
4	38804	1	Mounting Hardware Kit H9/H11	8	38808	1	Cover Screws Service Kit H9/H11 (pkg of 4)
5		1	Park/Turn Bulb (trade no. 4157NAK)				

ns = not shown

PRO PLUS® HD CENTER ASSEMBLY 76900-3/76910-3(CH)

Headlamp Kit – LED



Headlamp Kit LED							
Item	Part	Qty	Description	Item	Part	Qty	Description
1	39901	1	Headlamp Service Kit LED – DS	3	39903	1	Mounting Hardware Kit LED
ns	39902	1	Headlamp Service Kit LED – PS	ns	72512	1	LED Harness Connector Cover (pkg of 2)
2	72548	1	Harness Service Kit LED				
Item 3				39903 Mounting Hardware Kit LED			
4		1	Plastic Casing	8		1	1/2 Flat Washer
5		4	1/4 Button Cap Screw	9		2	1/2 Lock Washer
6		1	Headlamp Swivel	10		2	1/2 Hex Nut
7		1	1/2 Rubber Washer	ns		1	Metal Insert
ns = not shown							



Western Products
PO Box 245038
Milwaukee, WI 53224-9538
www.westernplows.com

 A DIVISION OF DOUGLAS DYNAMICS, LLC

Copyright © 2021 Douglas Dynamics, LLC. All rights reserved. This material may not be reproduced or copied, in whole or in part, in any printed, mechanical, electronic, film, or other distribution and storage media, without the written consent of Western Products. Authorization to photocopy items for internal or personal use by Western Products outlets or snowplow owner is granted.

Western Products reserves the right under its product improvement policy to change construction or design details and furnish equipment when so altered without reference to illustrations or specifications used. Western Products or the vehicle manufacturer may require or recommend optional equipment for snow removal. Do not exceed vehicle ratings with a snowplow. Western Products offers a limited warranty for all snowplows and accessories. See separately printed page for this important information. The following are registered (®) or unregistered (™) trademarks of Douglas Dynamics, LLC: CONTRACTOR GRADE®, PRO PLUS® HD, SECURITY GUARD™, ULTRAFINISH™, UltraMount® 2, WESTERN®.

Printed in U.S.A.