



HD UTV V-Plow

Blade Assembly 74360
Attachment Assembly 77865

Installation Instructions

▲ CAUTION

Read this document before installing the snowplow.

▲ CAUTION

See your WESTERN® outlet/website for specific vehicle application recommendations before installation. The Quick Match selection system has specific vehicle and snowplow requirements.

SAFETY

SAFETY DEFINITIONS

⚠ WARNING

Indicates a potentially hazardous situation that, if not avoided, could result in death or serious personal injury.

⚠ CAUTION

Indicates a potentially hazardous situation that, if not avoided, may result in minor or moderate injury. It may also be used to alert against unsafe practices.

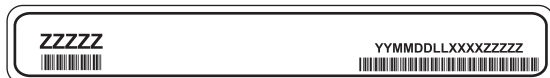
NOTE: Indicates a situation or action that can lead to damage to your snowplow and vehicle or other property. Other useful information can also be described.

WARNING/CAUTION AND INSTRUCTION LABELS

Become familiar with and inform users about the warning/caution, serial number and instruction labels on the back of the blade.

NOTE: If labels are missing or cannot be read, see your sales outlet.

Serial Number Label



Serial No. Code	Definition
YY	2-Digit Year
MM	2-Digit Month
DD	2-Digit Day
LL	2-Digit Location Code
XXXX	4-Digit Sequential Number
ZZZZZ	5- to 7-Digit Blade Assembly PN

Warning/Caution Label

⚠ WARNING

Blade could drop unexpectedly, crushing or trapping limbs. Lower blade when vehicle is parked.

Overloading could negatively affect vehicle handling. To avoid serious injury or death, do not exceed maximum vehicle load capacity, including blade and ballast.

⚠ CAUTION

Read Owner's Manual before operating or servicing snowplow.

Transport speed should not exceed 20 mph (32 km/h). Further reduce speed under adverse travel conditions.

Plowing speed should not exceed 10 mph (16 km/h).

See your sales outlet/website for specific vehicle application recommendations.

Instruction Label

ATTACH

- Slowly drive vehicle forward to engage rear receiver pins into headgear slots. Apply vehicle parking brake.
- Hold down lock lever and move hitch pin handle out of the handle lock notch, allowing spring to move the hitch pin handle forward.
- Plug in electrical harness.
- Turn plow control in vehicle ON and activate FLOAT.
- Stand in front of blade. Push top of headgear toward vehicle to allow hitch pins to fully engage hitch pin holes.
- Verify the lock pin is engaged in the forward hole in the lock pin bracket.
- Remove hairpin, adjustment pin, & stand.

⚠ WARNING

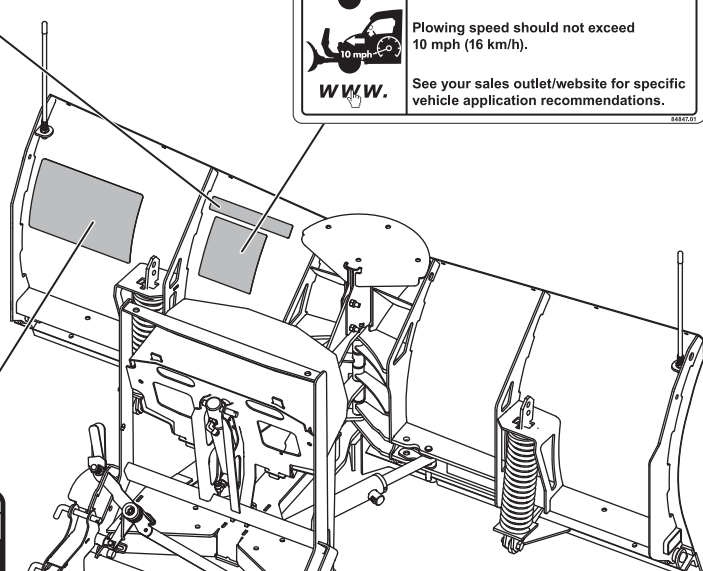
Keep fingers away from snowplow and UTV attachment points.

DETACH

- With blade straight, lower snowplow to the ground. Activate FLOAT, then turn plow control in vehicle OFF. Apply vehicle parking brake.
- Unplug electrical harness.
- Insert stand through slot in the passenger side headgear horn. Adjust stand as far down as possible, install adjustment pin, and secure with a hairpin.
- Hold down lock lever to disengage the lock pin and move the hitch pin handle rearward to fully disengage hitch pins from receivers.
- Move hitch pin handle into handle lock notch.

US patents 7,400,058; 7,337,576; 9,200,418.

Read Owner's Manual for complete instructions.



SAFETY

SAFETY PRECAUTIONS

Improper installation and operation could cause personal injury and/or equipment and property damage. Read and understand labels and the Owner's Manual before installing, operating, or making adjustments.

⚠ WARNING

Lower the blade when vehicle is parked. Temperature changes could change hydraulic pressure, causing the blade to drop unexpectedly or damaging hydraulic components. Failure to do this could result in serious personal injury.

⚠ WARNING

The driver shall keep bystanders clear of the blade when it is being raised, lowered, or angled. Do not stand between the vehicle and the blade or within 8 feet of a moving blade. A moving or falling blade could cause personal injury.

⚠ WARNING

Keep hands and feet clear of the blade and T-frame when mounting or removing the snowplow. Moving or falling assemblies could cause personal injury.

⚠ WARNING

Do not exceed GVWR, GAWR, or maximum vehicle load capacity, including the blade and ballast.

⚠ WARNING

To prevent accidental movement of the blade, always turn the control OFF whenever the snowplow is not in use. The power indicator light will turn OFF.

⚠ WARNING

Remove blade assembly before placing vehicle on hoist.

⚠ CAUTION

Refer to the current online selection system for minimum vehicle recommendations and ballast requirements.

HYDRAULIC SAFETY

⚠ WARNING

Hydraulic fluid under pressure can cause skin injection injury. If you are injured by hydraulic fluid, get medical attention immediately.

- Always inspect hydraulic components and hoses before using. Replace any damaged or worn parts immediately.
- If you suspect a hose leak, DO NOT use your hand to locate it. Use a piece of cardboard or wood.

FUSES

The electrical and hydraulic systems contain several automotive-style fuses. If a problem should occur and fuse replacement is necessary, the replacement fuse must be of the same type and amperage rating as the original. Installing a fuse with a higher rating can damage the system and could start a fire. Fuse Replacement, including fuse ratings and locations, is located in the Maintenance section of the Owner's Manual.

PERSONAL SAFETY

- Remove ignition key and put the vehicle in PARK or in gear to prevent others from starting the vehicle during installation or service.
- Wear only snug-fitting clothing while working on your vehicle or snowplow.
- Do not wear jewelry or a necktie, and secure long hair.
- Wear safety goggles to protect your eyes from battery acid, gasoline, dirt, and dust.
- Avoid touching hot surfaces such as the engine, radiator, hoses, and exhaust pipes.
- Always have a fire extinguisher rated BC handy, for flammable liquids and electrical fires.

SAFETY

FIRE AND EXPLOSION

⚠ WARNING

Gasoline is highly flammable and gasoline vapor is explosive. Never smoke while working on vehicle. Keep all open flames away from gasoline tank and lines. Wipe up any spilled gasoline immediately.

Be careful when using gasoline. Do not use gasoline to clean parts. Store only in approved containers away from sources of heat or flame.

CELL PHONES

A driver's first responsibility is the safe operation of the vehicle. The most important thing you can do to prevent a crash is to avoid distractions and pay attention to the road. Wait until it is safe to operate Mobile Communication Equipment such as cell phones, text messaging devices, pagers, or two-way radios.

VENTILATION

⚠ WARNING

Vehicle exhaust contains lethal fumes. Breathing these fumes, even in low concentrations, can cause death. Never operate a vehicle in an enclosed area without venting exhaust to the outside.

BATTERY SAFETY

⚠ CAUTION

Batteries normally produce explosive gases, which can cause personal injury. Therefore, do not allow flames, sparks, or lit tobacco to come near the battery. When charging or working near a battery, always cover your face and protect your eyes, and also provide ventilation.

- **Batteries contain sulfuric acid, which burns skin, eyes, and clothing.**
- **Disconnect the battery before removing or replacing any electrical components.**

NOISE

Airborne noise emission during use is 95 dB(A) for the snowplow operator.






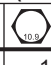


VIBRATION

Operating snowplow vibration does not exceed 2.5 m/s² to the hand-arm or 0.5 m/s² to the whole body.

TORQUE CHART

⚠ CAUTION

Read instructions before assembling. Fasteners should be finger tight until instructed to tighten according to torque chart. Use standard methods and practices when attaching snowplow, including proper personal protective safety equipment.

Recommended Fastener Torque Chart					
Inch Fasteners Grade 5 and Grade 8					
Size	Torque (ft-lb)		Size	Torque (ft-lb)	
	 Grade 5	 Grade 8		 Grade 5	 Grade 8
1/4-20	8.4	11.9	9/16-12	109	154
1/4-28	9.7	13.7	9/16-18	121	171
5/16-18	17.4	24.6	5/8-11	150	212
5/16-24	19.2	27.3	5/8-18	170	240
3/8-16	30.8	43.6	3/4-10	269	376
3/8-24	35.0	49.4	3/4-16	297	420
7/16-14	49.4	69.8	7/8-9	429	606
7/16-20	55.2	77.9	7/8-14	474	669
1/2-13	75.3	106.4	1-8	644	909
1/2-20	85.0	120.0	1-12	704	995
Metric Fasteners Class 8.8 and 10.9					
Size	Torque (ft-lb)		Size	Torque (ft-lb)	
	 Class 8.8	 Class 10.9		 Class 8.8	 Class 10.9
M6 x 1.00	7.7	11.1	M20 x 2.50	325	450
M8 x 1.25	19.5	26.9	M22 x 2.50	428	613
M10 x 1.50	38.5	53.3	M24 x 3.00	562	778
M12 x 1.75	67	93	M27 x 3.00	796	1139
M14 x 2.00	107	148	M30 x 3.50	1117	1545
M16 x 2.00	167	231	M33 x 3.50	1468	2101
M18 x 2.50	222	318	M36 x 4.00	1952	2701
These torque values apply to fasteners except those noted in the instructions.					

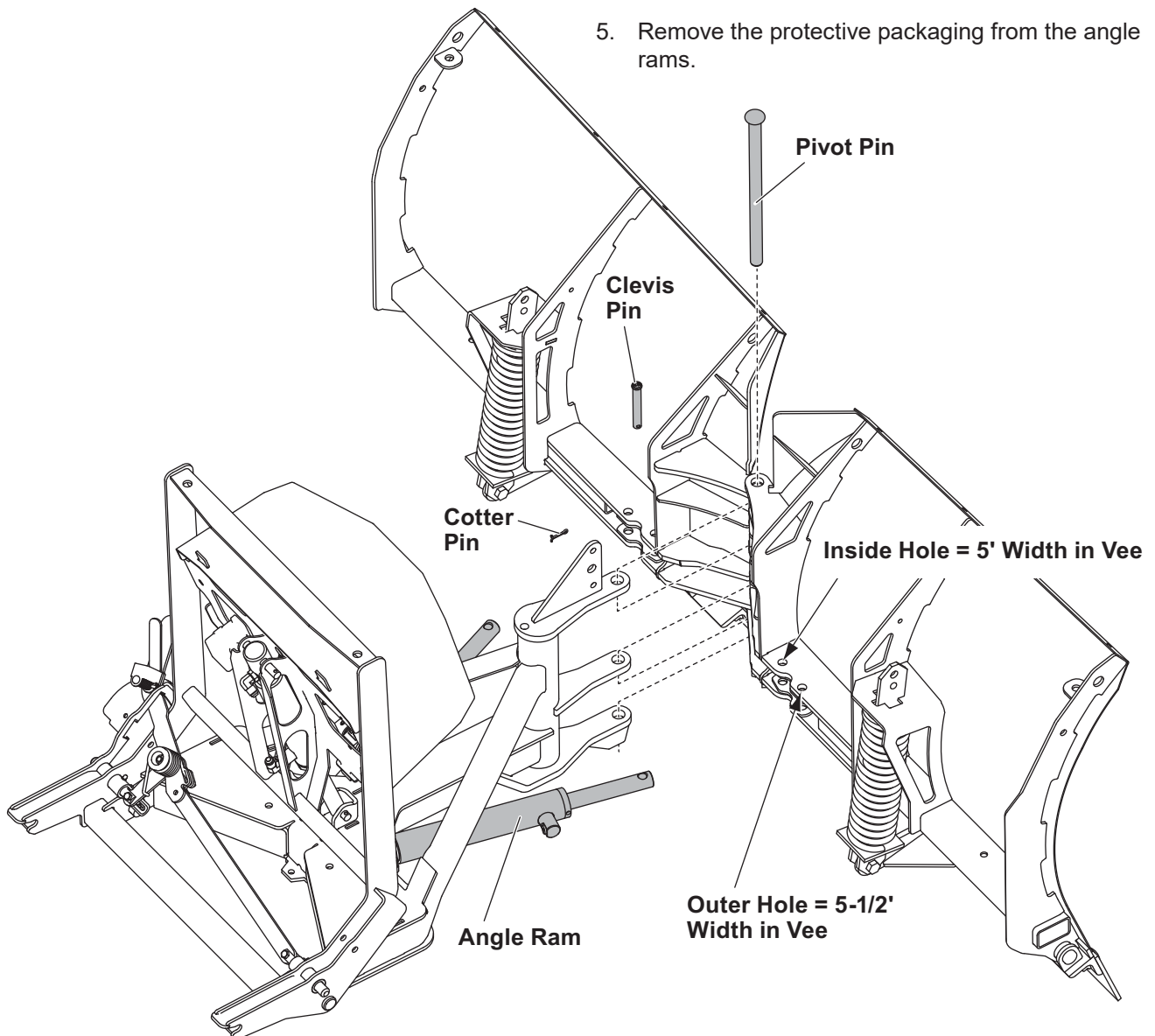
INSTALLATION INSTRUCTIONS

UNPACKING

1. Set aside the blade guides and parts bag. The vehicle electrical harnesses are located in the mount box. The Owner's Manual is located in the blade box. Remove the receivers by moving the handle back toward the receivers, disengaging the hitch pins. Remove and set aside.
2. Remove the cable ties that are holding the assembly to the pallet.
3. Remove the fasteners and strapping that secure the T-frame to the pallet.

T-FRAME TO BLADE ASSEMBLY

1. Remove the blade wings from the crate. Remove the four shipping straps, then replace the cutting edge hardware.
2. Align the hinges of each wing. Position the T-frame assembly between the blade wings so the holes in the T-frame are aligned with the holes in wing hinges.
3. Insert the pivot pin from top to bottom through all hinges as shown below.
4. Move the snowplow into a normal operating position.
5. Remove the protective packaging from the angle rams.

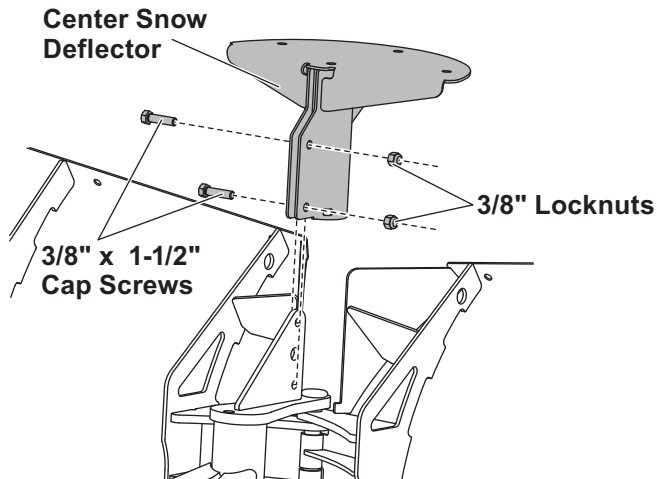


INSTALLATION INSTRUCTIONS

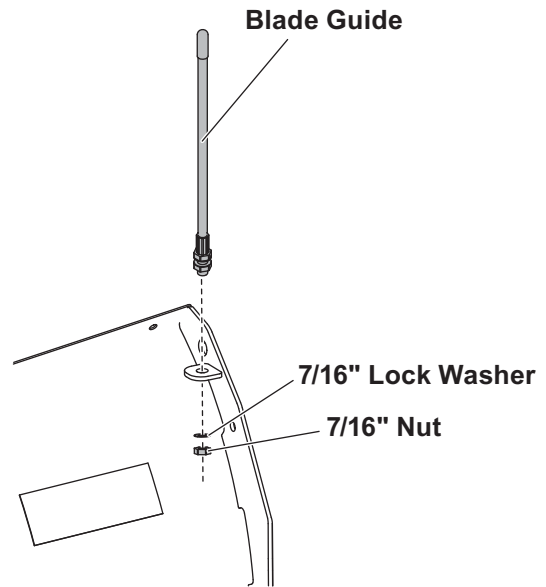
6. Determine whether to use the inside or outside angle ram holes, depending on the width of the UTV. If the UTV width exceeds 60", attach the angle rams to the outer blade holes. The snowplow width is to be equal to or greater than the width of the UTV. Align the holes in the rod end of the angle ram with the corresponding holes on the back of the blade.

7. Install a 1/2" x 2-7/8" clevis pin or 1/2" x 4" Grade 8 carriage bolt (provided in the parts bag) from the top down to attach each rod. Secure the clevis pins with 5/32" x 1-1/2" cotter pins, and secure the carriage bolts with 1/2" locknuts.

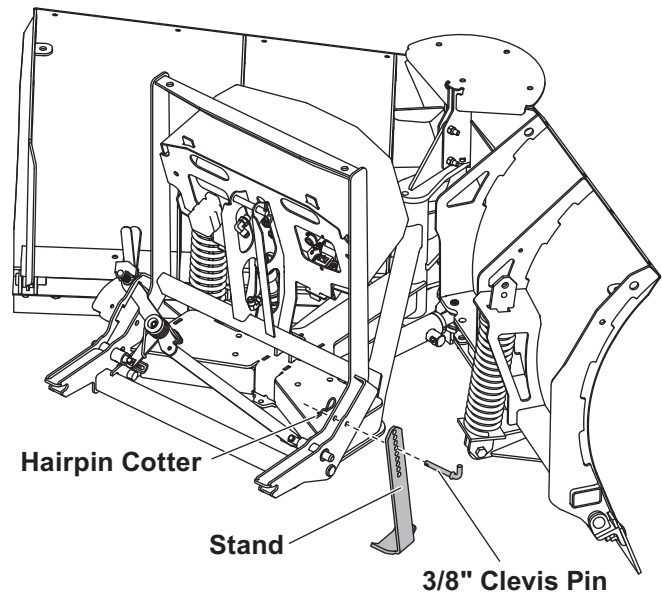
8. Install the center snow deflector using two 3/8" x 1-1/2" cap screws and 3/8" locknuts.



9. Install the blade guides using 7/16" lock washers and 7/16" nuts for each guide.



10. With the T-frame parallel to the ground, secure the stand with a 3/8" clevis pin and hairpin cotter.



INSTALLATION INSTRUCTIONS

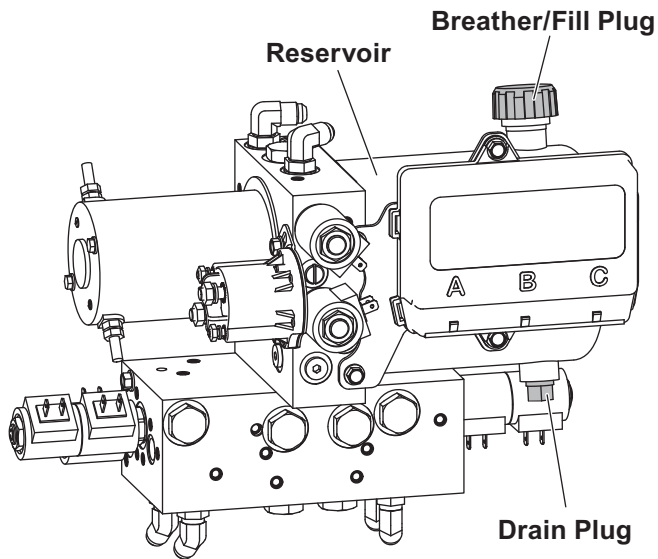
HYDRAULIC UNIT

⚠ WARNING

Keep 8' clear of the blade when it is being raised, lowered, or angled. Do not stand between vehicle and blade or directly in front of the blade. If the blade hits or drops on you, you could be seriously injured.

The hydraulic system comes from the factory preassembled, partially filled, and fully tested.

1. Attach the snowplow to the vehicle according to the instructions on the back of the blade.
2. Remove the cover from the hydraulic unit. Remove and discard the factory-installed pipe plug from the top of the reservoir and install the breather.



⚠ WARNING

To prevent accidental movement of the blade, always turn the control OFF whenever the snowplow is not in use. The power indicator light will turn OFF.

1. Turn the control ON and raise and lower the snowplow several times. With the snowplow in the raised position, fully angle the plow from right to left several times. Activate the control FLOAT function and make sure the blade is lowered completely to the ground. Turn the control OFF.

⚠ CAUTION

Do not mix different types of hydraulic fluid. Some fluids are not compatible and may cause performance problems and product damage.

2. Remove the breather and check the fluid level. The fluid level should be 1-1/2" to 2" below the fill hole. If additional fluid is needed, add hydraulic fluid rated to -40°F (-40°C), or other fluid conforming to Military Specification MIL-H-5606 A, such as Mobil Aero HFA or Shell AeroShell® Fluid 4 until fluid is 1-1/2" to 2" below the fill hole.

NOTE: Loosen the breather slowly to relieve any pressure in the reservoir.

NOTE: Add fluid only when the blade is resting fully on the ground.

3. Replace and tighten the breather.

INSTALLATION INSTRUCTIONS

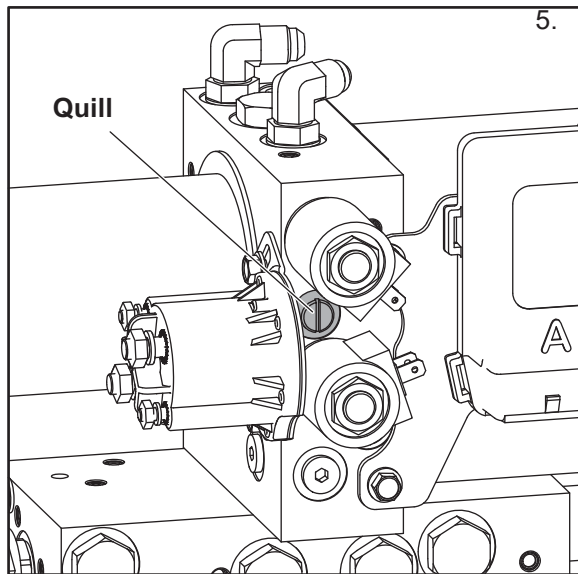
BLADE DROP SPEED ADJUSTMENT

⚠ WARNING

Keep 8' clear of the blade when it is being raised, lowered, or angled. Do not stand between vehicle and blade or directly in front of the blade. If the blade hits or drops on you, you could be seriously injured.

The quill in the valve manifold adjusts the blade drop speed.

1. Lower the blade to the ground before making any adjustment.
2. Remove the hydraulic unit cover.
3. Stand 8 feet clear of the blade when checking adjustment.
4. Turn the quill IN (clockwise) to decrease drop speed. Turn the quill OUT (counterclockwise) to increase drop speed.



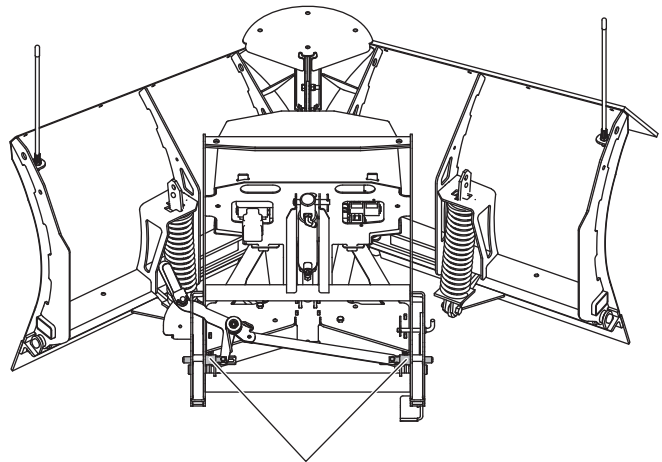
6. Replace the cover.

FINAL INSPECTION AND ADJUSTMENT

⚠ WARNING

Keep 8' clear of the blade when it is being raised, lowered, or angled. Do not stand between vehicle and blade or directly in front of the blade. If the blade hits or drops on you, you could be seriously injured.

1. Fully angle the blade in both directions in raised and lowered positions. Adjust hose fittings, wraps, and clamps so that the hoses do not contact vehicle bumper, have no sharp bends and are wrapped at contact points, and do not become pinched between the headgear and the T-frame.
2. Add grease to the two hitch pins.

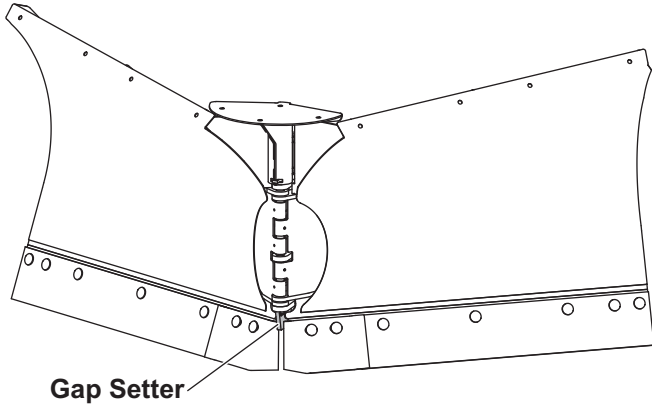


Use a good quality multipurpose grease.

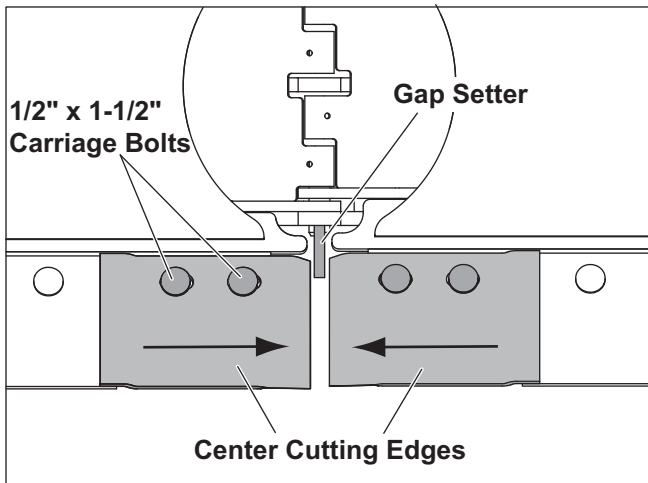
OPERATIONAL TEST AND FINAL ADJUSTMENTS

Adjusting the Center Cutting Edges

The center cutting edge gap setter is located on the T-frame below the pivot pin hinge.



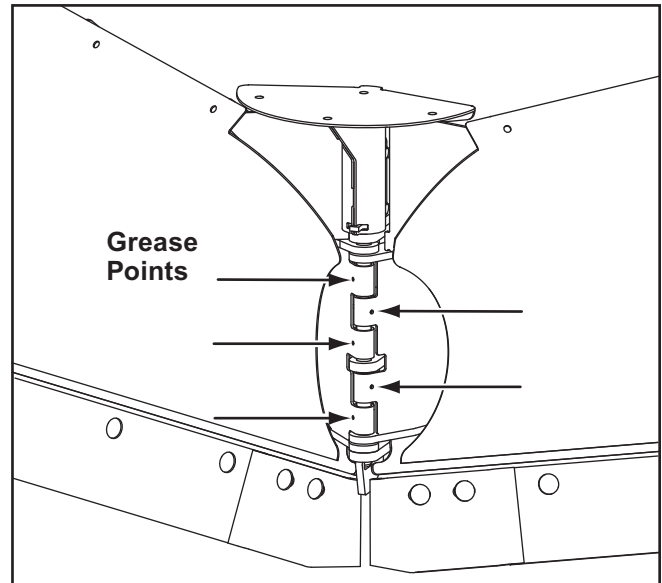
1. Place the blade wings in the vee position and check whether the center cutting edges touch the center cutting edge gap setter. If they do not touch the gap setter, adjust the center cutting edges as follows.
2. Loosen the four 1/2" x 1-1/2" center cutting edge carriage bolts, but do not remove them.



3. Slide the center cutting edges inward until they contact the gap setter.
4. Tighten the center cutting edge carriage bolts according to the torque chart.

Lubricating the Pivot Pin Hinge

Using a rubber-tipped seal-off coupler fitting, apply a good quality multipurpose grease at the five grease points along the center hinge of the blade.



OPERATIONAL TEST AND FINAL ADJUSTMENTS

PLUG COVERS

⚠ CAUTION

Plug covers shall be used whenever snowplow is disconnected. Vehicle battery cable is 12V unfused source.

When the snowplow is removed from the vehicle, install plug covers on the vehicle battery cable. Insert the snowplow battery cable into the cable boot on the snowplow.

OWNER'S MANUAL PACKET

If the completed snowplow will be delivered immediately, the Owner's Manual should be reviewed with and given to the purchaser according to the snowplow checklist.

If the snowplow is completed prior to delivery to the purchaser, attach the Owner's Manual packet to the electrical cable of the cab control for safekeeping.



Western Products
PO Box 245038
Milwaukee, WI 53224-9538
www.westernplows.com

 A DIVISION OF DOUGLAS DYNAMICS, LLC

Western Products reserves the right under its product improvement policy to change construction or design details and furnish equipment when so altered without reference to illustrations or specifications used. Western Products or the vehicle manufacturer may require or recommend optional equipment for snow removal. Do not exceed vehicle ratings with a snowplow. Western Products offers a limited warranty for all snowplows and accessories. See separately printed page for this important information. The following are registered (®) or unregistered (™) trademarks of Douglas Dynamics, LLC: IMPACT™, WESTERN®.

Printed in U.S.A.