



ENFORCER™ Snowplow

Mild Steel Blades 97540

Stainless Steel Blades 97545

Center Assembly 94040-3, 94045-3

Parts List

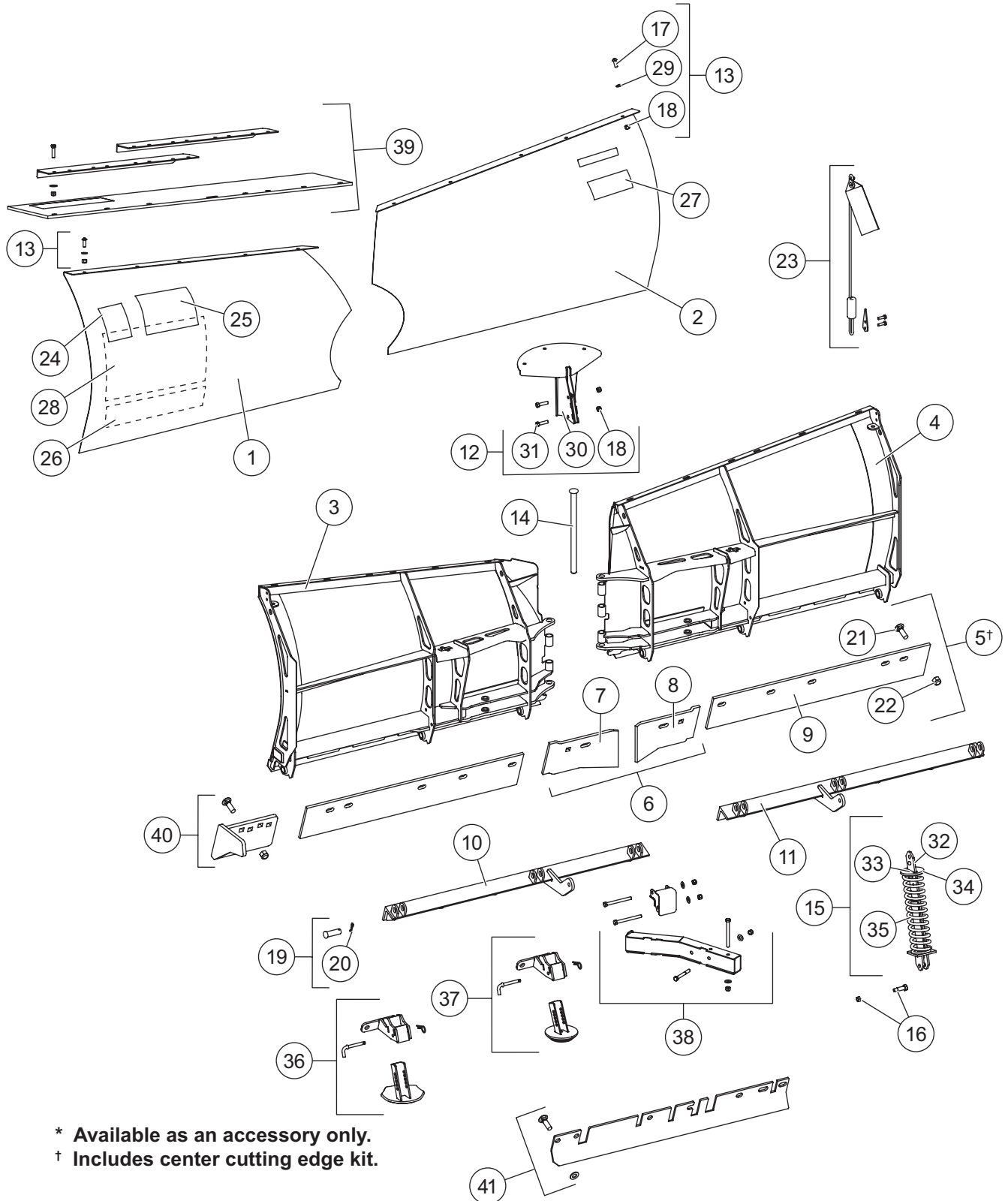


TABLE OF CONTENTS

ENFORCER™ BLADE COMPONENTS	4
Blade Components – ENFORCER Blades, SS	4
Blade Components – ENFORCER Blades, MS.....	6
ENFORCER CENTER ASSEMBLY	8
Lift Frame and T-Frame Components.....	8
Hydraulic Unit Components	10
Lift and Angle Ram Components.....	12
Vehicle-Side Wiring Diagram – 3-Port, 2-Plug System.....	13
Electrical Components.....	13
Headlamp Kits.....	14–15

ENFORCER™ BLADES 97540/97545

Blade Components – ENFORCER Blades, SS



ENFORCER™ BLADES 97540/97545

97545 ENFORCER Blade Components – SS							
Item	Part	Qty	Description	Item	Part	Qty	Description
1	79710	1	Moldboard Kit, SS – DS†	13	43289	1	Moldboard Fasteners Kit
2	79711	1	Moldboard Kit, SS – PS‡	14	51702	1	Pivot Pin
3	79755	1	Frame, Base Angle, Spring Assy – DS	15	21452	2	Removable Spring Assembly
4	79756	1	Frame, Base Angle, Spring Assy – PS	16	40905	2	Shoulder Bolt w/Locknut
5†	79976	1	Cutting Edge Kit (3/8)	17		10	3/8-16 x 1 Button Cap Screw
	44284-2*	1	Cutting Edge Kit (1/2)	18		10	3/8-16 Hex Locknut GB
	86867*	1	Poly Cutting Edge Kit	19	43745	6	1 x 2-3/4 Clevis Pin w/Cotter
6	79977	1	Center Cutting Edge Kit (3/8)	20		6	1/4 x 1-1/2 Cotter Pin
	44894-1*	1	Center Cutting Edge Kit (1/2)	21		14	5/8-11 x 2 Carriage Bolt G5
7	79972	1	Center Cutting Edge (3/8) – DS	22		14	5/8-11 Hex Locknut GB
	44891-1*	1	Center Cutting Edge (1/2) – DS	23	59700	1	Blade Guide & Flag Assembly Kit, 24"
8	79973	1	Center Cutting Edge (3/8) – PS	24	59900	1	Label – Warning/Caution, Snowplows
	44890-1*	1	Center Cutting Edge (1/2) – PS	25	43360	1	Label – Attach/Detach
9	44896-1	2	Cutting Edge (3/8) – One Side	26	72960	1	Label – Logo, ENFORCER
	44996-1*	2	Cutting Edge (1/2) – One Side	27	44451	1	Label – Logo, WESTERN® 8.31"
	90413*	1	Cutting Edge, Poly – DS	28	77392	1	Label – Logo, WESTERN
	90438*	1	Cutting Edge, Poly – PS	29		10	3/8 Hardened Washer
10	79731	1	Base Angle – DS	ns	44763	2	Bolt Bag – Cutting Edge Kits (1 side, 5 sets of fasteners)
11	79732	1	Base Angle – PS				
12	79733	1	Snow Control Kit	ns	79748	1	Label Kit – Complete Blade, SS
Item 12				79733 Snow Control Kit			
	18	2	3/8-16 Hex Locknut GB	31		2	3/8-16 x 1-1/2 Hex Cap Screw G5
	30	1	Snow Control				
Item 15				21452 Removable Spring Assembly			
	32	1	Removable Spring Bar	34	20191	1	Removable Spring Disc
	33	1	1/4 x 1-1/4 Pin	35	5323	1	Trip Spring
Blade Accessories							
36*	74519	1	Shoe Kit (set of 2)	39*	41810-1	1	Rubber Deflector Kit (universal) – 10"
37*	83852	1	Extreme Wear Shoe Kit (set of 2)	40*	43885	1	Curb Guard Kit (set of 2)
38*	74528	1	Blade Stop Kit (set of 2)	41*	44281-4	1	Back Drag Edge Kit
ns = not shown				SS = Stainless Steel		G = Grade	

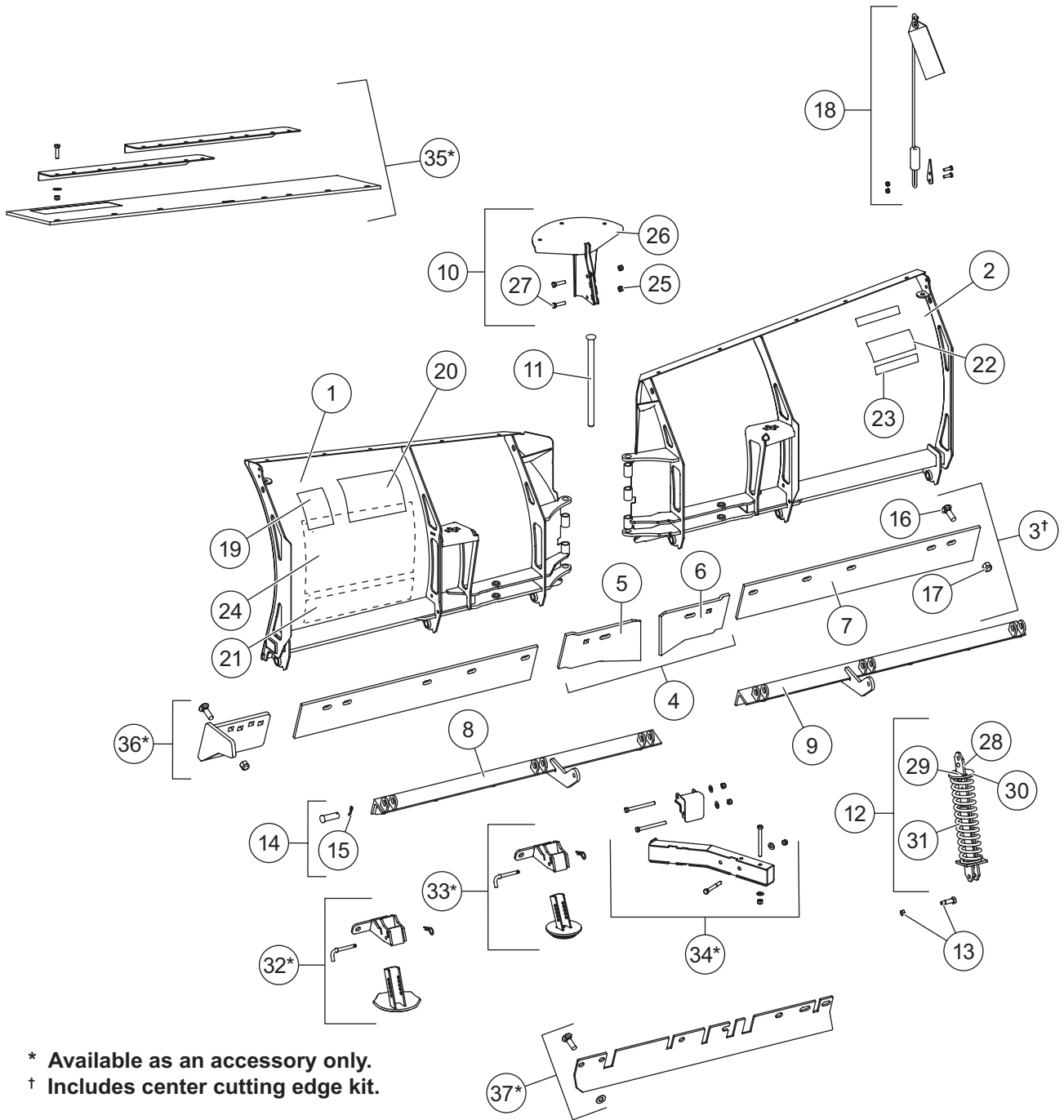
* Accessory only.

† Includes center cutting edge kit.

‡ Includes fasteners and labels.

ENFORCER™ BLADES 97540/97545

Blade Components – ENFORCER Blades, MS



* Available as an accessory only.

† Includes center cutting edge kit.

ENFORCER™ BLADES 97540/97545

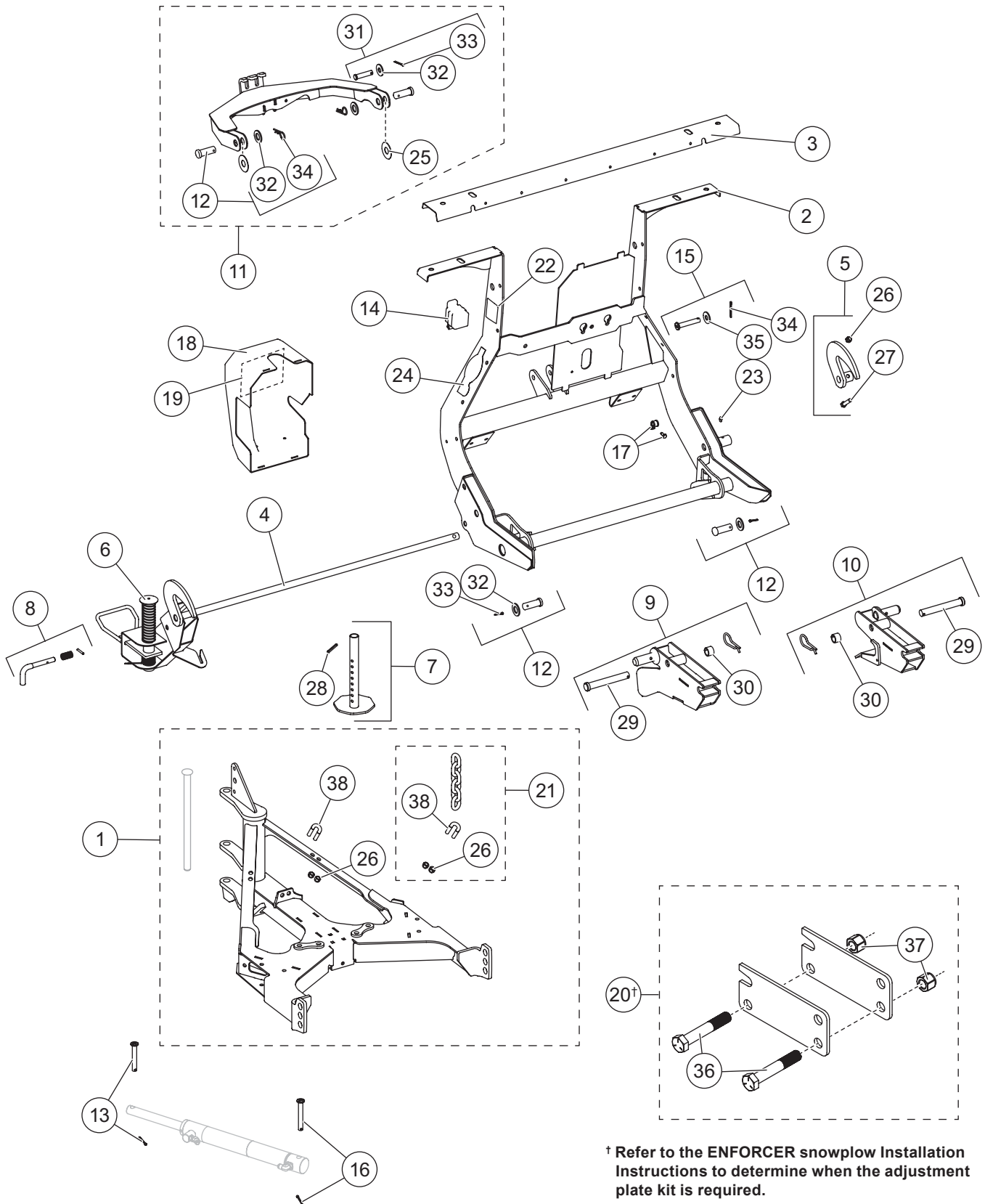
97540 ENFORCER Blade Components – MS							
Item	Part	Qty	Description	Item	Part	Qty	Description
1	79722	1	Frame, Base Angle, Spring Assembly Moldboard – DS	10	79733	1	Snow Control Kit
2	79723	1	Frame, Base Angle, Spring Assembly Moldboard – PS	11	51702	1	Pivot Pin
3†	79976	1	Cutting Edge Kit (3/8)	12	21452	2	Removable Spring Assembly
	44284-2*	1	Cutting Edge Kit (1/2)	13	40905	2	Shoulder Bolt w/Locknut
	86876*	1	Poly Cutting Edge Kit	14	43745	6	1 x 2-3/4 Clevis Pin w/Cotter
4	79977	1	Center Cutting Edge Kit (3/8)	15		6	1/4 x 1-1/2 Cotter Pin
	44894-1*	1	Center Cutting Edge Kit (1/2)	16		14	5/8-11 x 2 Carriage Bolt G5
5	79972	1	Center Cutting Edge (3/8) – DS	17		14	5/8-11 Hex Locknut GB
	44891-1*	1	Center Cutting Edge (1/2) – DS	18	59700	1	Blade Guide & Flag Assembly Kit, 24"
6	79973	1	Center Cutting Edge (3/8) – PS	19	59900	1	Label – Warning/Caution, Snowplows
	44890-1*	1	Center Cutting Edge (1/2) – PS	20	43360	1	Label – Attach/Detach
7	44896-1	2	Cutting Edge (3/8) – One Side	21	72960	1	Label – Logo, ENFORCER
	44996-1*	2	Cutting Edge (1/2) – One Side	22	44451	1	Label – Logo, WESTERN® 8.31"
	79369*	1	Cutting Edge, Poly – DS	23	28404	1	Label – Logo, ULTRAFINISH™ (MS)
	79370*	1	Cutting Edge, Poly – PS	24	69489	1	Label – Logo, WESTERN
8	79731	1	Base Angle – DS	ns	44763	2	Bolt Bag – Cutting Edge Kits (1 side, 5 sets of fasteners)
9	79732	1	Base Angle – PS	ns	79747	1	Label Kit – Complete Blade, MS
Item 10				79733 Snow Control Kit			
	25	2	3/8-16 Hex Locknut GB	27		2	3/8-16 x 1-1/2 Hex Cap Screw G5
	26	1	Snow Control				
Item 12				21452 Removable Spring Assembly			
	28	1	Removable Spring Bar	30	20191	1	Removable Spring Disc
	29	1	1/4 x 1-1/4 Pin	31	5323	1	Trip Spring
Blade Accessories							
	32*	1	Shoe Kit (set of 2)	35*	41810-1	1	Deflector Kit (universal) – 10"
	33*	1	Extreme Wear Shoe Kit (set of 2)	36*	43885	1	Curb Guard Kit (set of 2)
	34*	1	Blade Stop Kit (set of 2)	37*	44281-4	1	Back Drag Edge Kit
ns = not shown				MS = Mild Steel		G = Grade	

* Accessory only.

† Includes center cutting edge kit.

ENFORCER™ CENTER ASSEMBLY 94040-3/94045-3

Lift Frame and T-Frame Components



ENFORCER™ CENTER ASSEMBLY 94040-3/94045-3

ENFORCER Lift Frame and T-Frame Components							
Item	Part	Qty	Description	Item	Part	Qty	Description
1	79741	1	T-Frame Service Kit	11	79737	1	Lift Arm Kit
2*	79734	1	Lift Frame Service Kit	12	43351	2	3/4 x 2 Clevis Pin Kit
3	69509	1	Light Channel, Red	13	85198	2	1/2 x 2-7/8 Pin Kit
	79740	1	Light Channel, Silver	14	61246	1	Cable Boot
4	69498	1	Stand Assy – DS (incl. items 6, 7, 8)	15	79749	1	1/2 x 2-7/8 Pin Kit
5	69508	1	Hook w/Hardware – PS	16	83629	2	1/2 x 3-11/16 Pin Kit
6	48523	1	Plunger w/Spring	17	84778	1	Power Cable Clip Kit
7	67847	1	Stand Shoe Kit	18	79720	1	Hydraulic Cover (incl. item 19)
8	67844	1	Stand Lock Pin Kit	19	74081	1	Label – Information, Hydraulic
9	69611	1	Receiver Kit – DS	20†	79445	1	Adjustment Plate Kit
10	69610	1	Receiver Kit – PS				
Item 1 79741 T-Frame Service Kit							
	1		T-Frame	21	49033	2	1/4 Grade 43 Chain Assembly
	51702	1	Pivot Pin (shown w/blade components)				
Item 2* 79734 Lift Frame Service Kit							
	1		Lift Frame	24	43358	2	Label – Logo, UltraMount® 2
22	69689	1	Label – Logo, SECURITY GUARD™	25		2	UHMW Round Flat Washer, Special
23	62991	1	Grease Fitting				
Item 5 69508 Hook w/Hardware – PS							
	1		Hook	27		1	3/8-16 x 3/4 Hex Cap Screw G8
26		1	3/8-16 Hex Locknut GB				
Item 7 67847 Stand Shoe Kit							
	1		Stand Shoe	28	67635	1	1/4 x 2 Roll Pin BP
Item 9 69611 Receiver Kit – DS							
	1		Receiver – DS	30	63212	1	Spacer
29	28593	1	3/4 x 5-3/8 Clevis Pin Kit				
Item 10 69610 Receiver Kit – PS							
	1		Receiver – PS	30	63212	1	Spacer
29	28593	1	3/4 x 5-3/8 Clevis Pin Kit				
Item 11 79737 Lift Arm Kit							
	1		Lift Arm	25		2	UHMW Round Flat Washer, Special
12	43351	2	3/4 x 2 Clevis Pin Kit	31	68740	1	3/4 x 3-1/2 Clevis Pin Kit
Item 12 43351 3/4 x 2 Pin Kit							
	1		3/4 x 2 Pin	33	91911K	1	5/32 x 1-1/2 Cotter Pin
32		1	3/4 Flat Washer	34	91962	2	1/8 Hairpin Cotter
Item 15 79749 1/2 x 2-7/8 Pin Kit							
	1		1/2 x 2-7/8 Clevis Pin HT	35		1	1/2 Flat Washer
34		1	1/8 Hairpin Cotter				
Item 20† 79445 Adjustment Plate Kit							
	4		Height Adjustment Plate	37		4	3/4-10 Hex Locknut GB
36	4		3/4-10 x 4-1/2 Cap Screw G5				
Item 21 49033 1/4 Grade 43 Chain Assembly (2 per snowplow)							
	1		1/4 x 42 Grade 43 Chain	38	90453	1	3/8-16 x 1-1/2 U-Bolt G5
26	2		3/8-16 Hex Locknut GB	ns		1	Plastic Tube
Item 31 68740 3/4 x 3-1/2 Clevis Pin Kit							
	1		3/4 x 3-1/2 Clevis Pin	33	91911K	1	5/32 x 1-1/2 Cotter Pin
32	1		3/4 Flat Washer				

ns = not shown

HT = Heat Treated

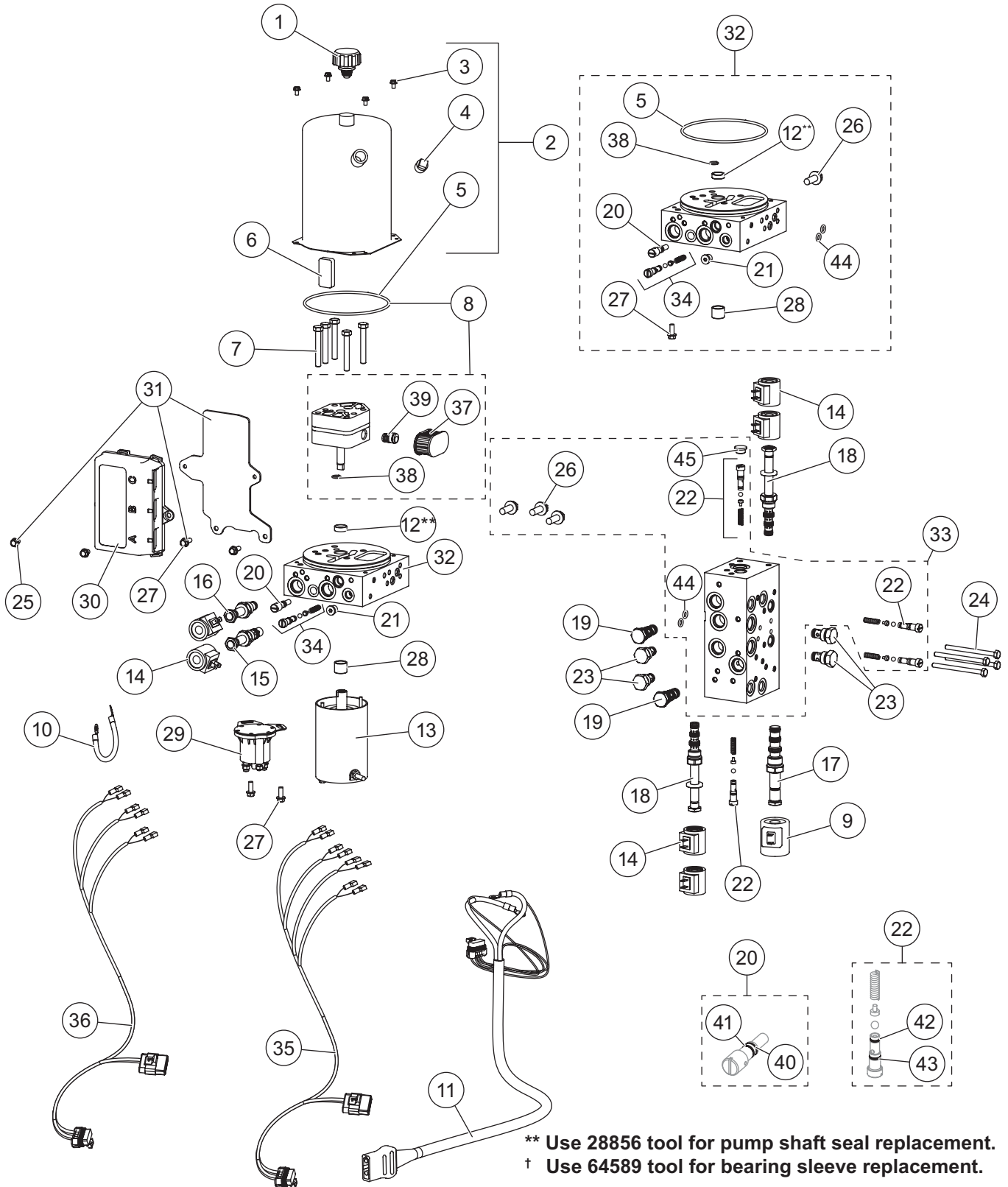
G = Grade

* Includes fasteners and labels.

† Refer to the ENFORCER snowplow Installation Instructions to determine when the adjustment plate kit is required.

ENFORCER™ CENTER ASSEMBLY 94040-3/94045-3

Hydraulic Unit Components



ENFORCER™ CENTER ASSEMBLY 94040-3/94045-3

77398 ENFORCER V-Plow Hydraulic Unit							
Item	Part	Qty	Description	Item	Part	Qty	Description
1	21727-2K	1	Breather Pressure Control	19	77391	2	Valve, PO Check
2	77394	1	Reservoir Kit	20	48517	1	Quill
6	73897	1	Magnet	21	44344	1	Plug, Hex Socket -4 M ORB
7	90073	5	5/16-18 x 2-1/4 Hex Cap Screw G5	22	49138K-5	2	Relief Valve Kit (2 sets)
8	52553	1	Pump Kit	23	84934	4	Check Valve
9	84901	1	Coil 10 w/Spades	24	90696	4	1/4-20 x 3-1/2 Hex Cap Screw G5
10	29071	1	Cable Assembly, 8"	25	43988	2	1/4-20 x 3/8 Hex WHTR Screw
11	42015	1	Cable Assembly, Plow	27	44355	4	1/4-20 x 5/8 Hex WHTR Screw
12**	66515	1	Pump Shaft Seal	28†	56364	1	Sleeve Bearing
13	48543-1	1	Motor Assembly 3"	29	52290	1	Motor Relay
14	49230K-2	6	Coil w/Spade Terminals	30	52292-2	1	Plow Module
15	44332	1	Valve, SVCV08-20 w/Nut	31	52293-1	1	Module Plate
16	49227K-2	1	Valve, 2-Way w/Nut	32	77396	1	Primary Manifold, w/o Valves
17	84900	1	Valve, 4-Way SV10-43 w/Nut	33	77397	1	Secondary Manifold, w/o Valves
18	52285	2	Valve, 4-Way 3-Position Closed Center w/Nut and Spacer	35	52215	1	Plow Control Harness, 4-Coil
				36	52217	1	Plow Control Harness, 3-Coil
Item 2				77394 Reservoir Kit			
		1	Reservoir	4	92079	1	Plug, Square 3/8 NPTF
3	66607	4	#10-24 x 5/16 Machine Screw	5	66519	1	O-Ring 2-250
Item 8				52553 Pump Kit			
		1	Pump	38	56274	1	O-Ring -013
5	66519	1	O-Ring 2-250	39	10887	1	Hydraulic Pump Inlet Fitting
37	56789-4	1	Suction Filter				
Item 20				48517 Quill			
40	48239	1	O-Ring -106	41	48240	1	Back-Up Ring -106
Item 22				49138K-5 Relief Valve Kit			
34	52282	2	Relief Valve				
Item 34				52282 Relief Valve			
42	55371	1	O-Ring -008	43	25731	1	O-Ring -010
Item 31				52293-1 Module Plate			
		1	Module Plate	27	44355	4	1/4-20 x 5/8 Hex Washer-Head Thread-Rolling Screw
25	43988	1	1/4-20 x 3/8 Hex Washer-Head Thread-Rolling Screw				
Item 32				77396 Primary Manifold w/o Valves			
5	66519	1	O-Ring 2-250	27	44355	4	1/4-20 x 5/8 Hex Washer-Head Thread-Rolling Screw
12**	66515	1	Pump Shaft Seal	28†	56364	1	Bearing Sleeve
20	48517	1	Quill	34	52282	2	Relief Valve (1 set)
21	44344	1	Plug, Hex Socket -4 M ORB	38	56274	1	O-Ring -013
26	72384-1	3	3/8-16 x 1 Serrated Flange Hex Cap Screw	44	43818	2	O-Ring -109
Item 33				77397 Secondary Manifold w/o Valves			
22	49138K-5	2	Relief Valve Kit (2 sets)	44	43818	6	O-Ring -109
26	72384	3	3/8-16 x 1 Serr. Flange Hex Cap Screw	45	56808	1	Plug
O-Ring Service Kits							
ns	52298-3		O-Ring Kit (no O-rings for valves)	ns	49259-2		Seal Kit, 3-Way and 4-Way Valve
ns	49258-2		Seal Kit, 2-Way Valves	ns	84909		Seal Kit, Size 10, 3-Way & 4-Way Valve
		ns = not shown	M = Male	WHTR = Washer Head Thread-Rolling		G = Grade	

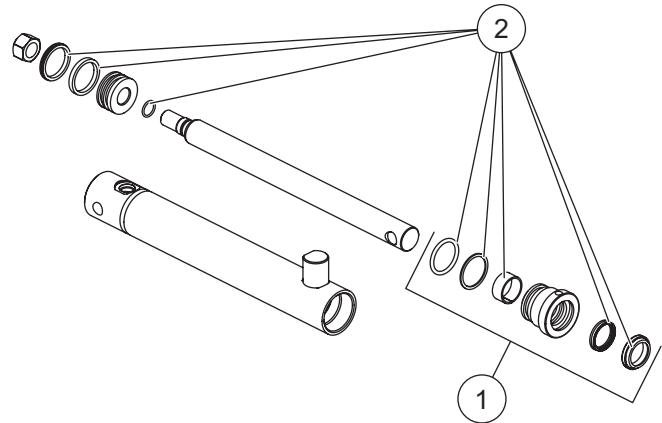
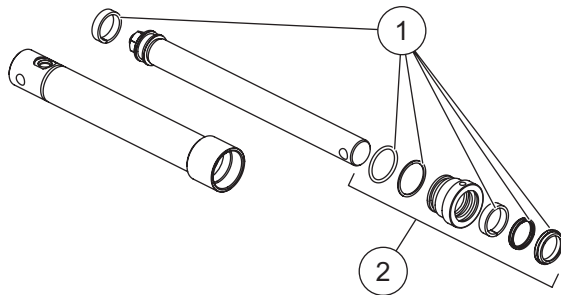
** Use 28856 tool for pump shaft seal replacement (includes 1 seal).

† Use 64589 tool for bearing sleeve replacement (includes 1 bearing).

Go to www.westernplows.com for hydraulic unit service information and specifications.

ENFORCER™ CENTER ASSEMBLY 94040-3/94045-3

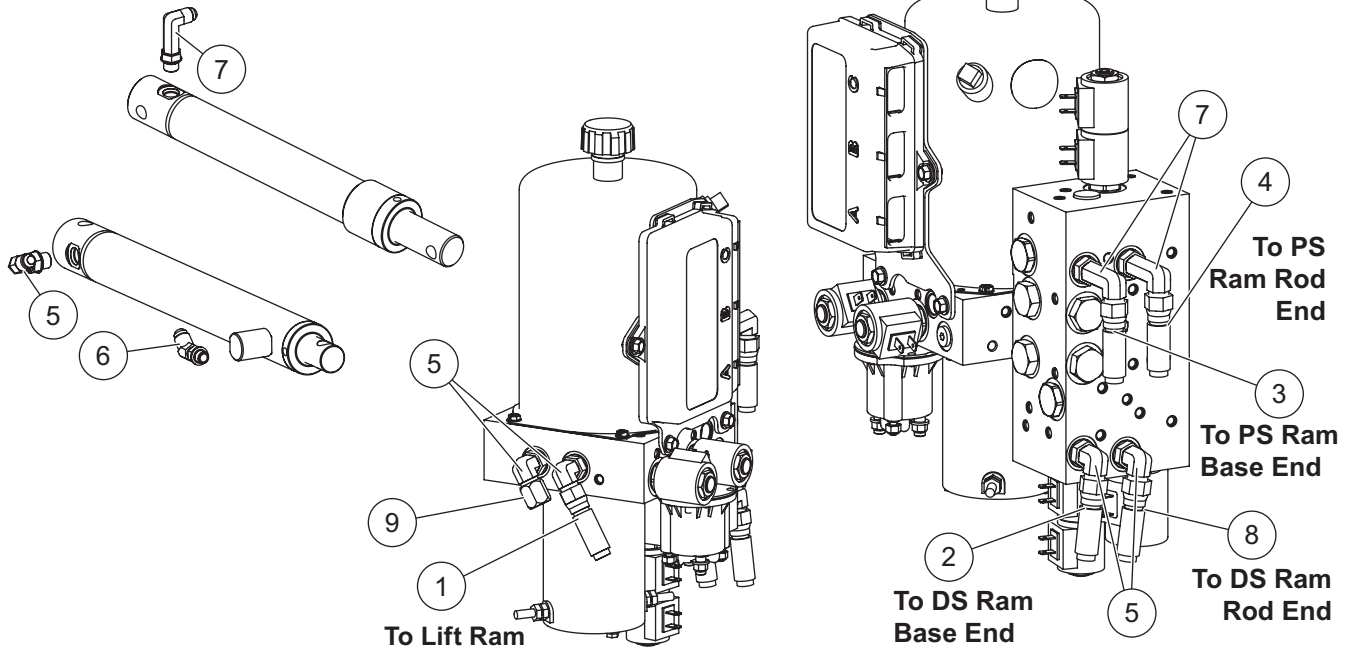
Lift and Angle Ram Components



77424 Lift Ram Assembly 1-1/4 x 8-5/8			
Item	Part	Qty	Description
1	77429	1	Gland Assembly 1-1/4
2	77433	1	Seal Kit 1-1/4 Ram

77427 Wing Ram Assembly 1-1/2 x 12 DA			
Item	Part	Qty	Description
1	52558	1	1" Gland Assembly
2	52557	1	Seal Kit 1-1/2 DA Ram

Hoses and Fittings

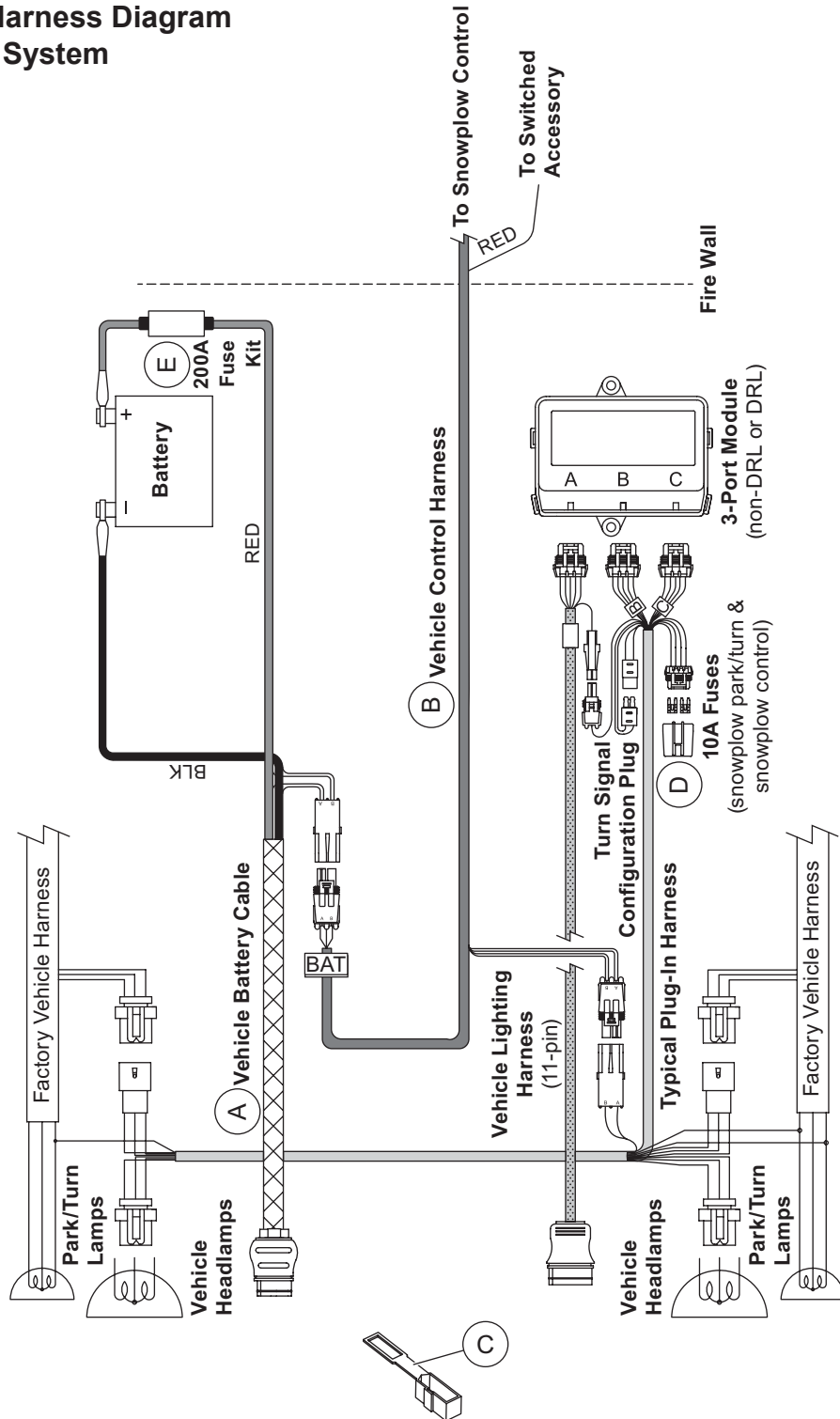


Hoses and Fittings							
Item	Part	Qty	Description	Item	Part	Qty	Description
1	56617	1	Hose, 1/4 x 16 w/F JIC Ends	7	64212-1	3	Elbow, Extra Long 90° -6 M JIC/-6 M ORB
2	77436	1	Hose, 1/4 x 26 w/F JIC Ends	8	77437	1	Hose, 1/4 x 30 w/F JIC Ends
3	48519	1	Hose, 1/4 x 32 w/F JIC Ends	9	44346	1	Cap, -6 F JIC
4	64625	1	Hose, 1/4 x 36 w/F JIC Ends	ns	56823	4	Hose Wrap
5	56615-1	6	Elbow, 90° -6 M JIC/-6 M ORB				
6	41093	2	Elbow, 45° -6 M JIC/-4 M ORB				

F = Female ns = not shown M = Male

ENFORCER™ CENTER ASSEMBLY 94040-3/94045-3

Vehicle-Side Harness Diagram 3-Port, 2-Plug System



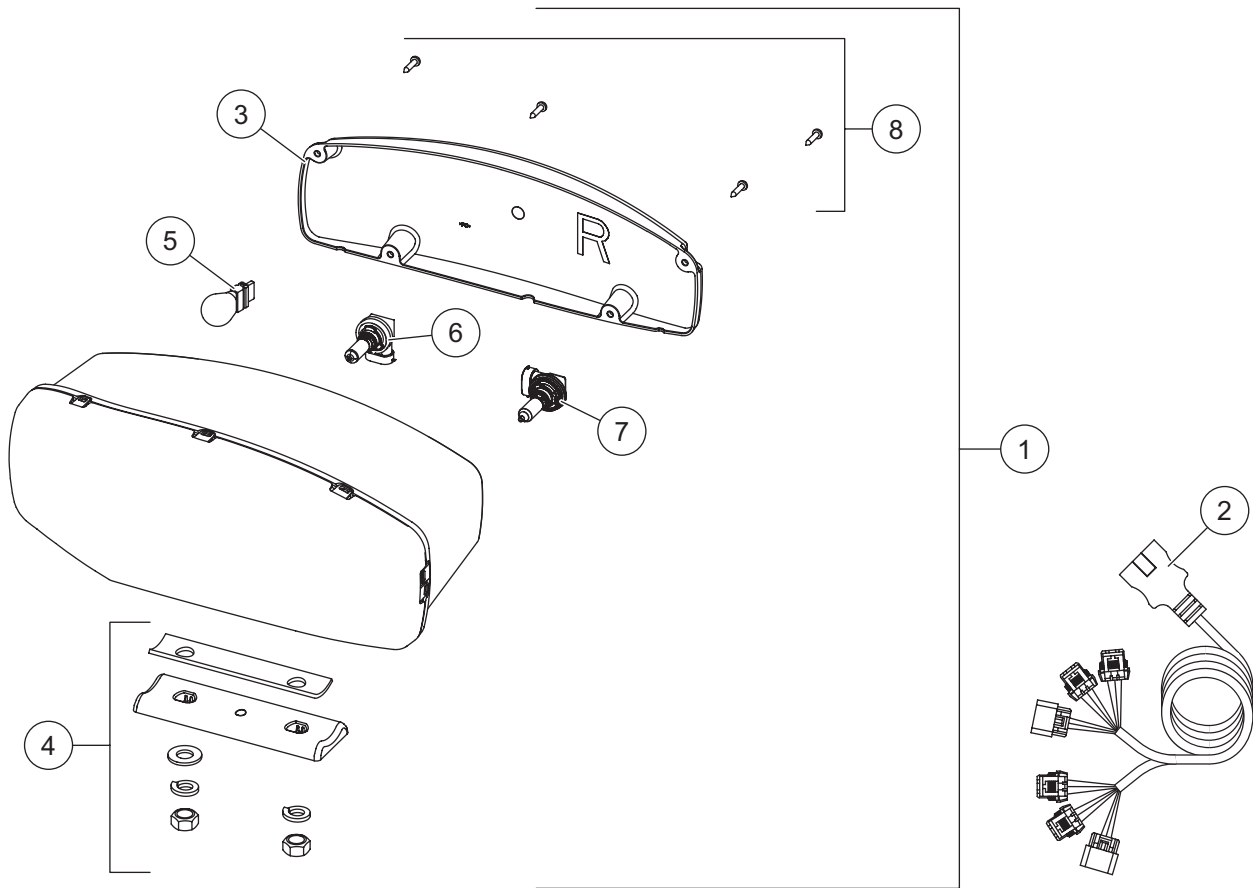
Vehicle-Side Electrical Components

Item	Part	Qty	Description	Item	Part	Qty	Description
A	72527	1	Vehicle Battery Cable	D	29998	1	Fuse Cover (pkg of 5)
B	28587	1	Vehicle Control Harness	E	90730	1	200A Fuse Kit
C	61548K	1	Plug Cover Kit	ns	56099	1	Dielectric Grease

ns = not shown

ENFORCER™ CENTER ASSEMBLY 94040-3/94045-3

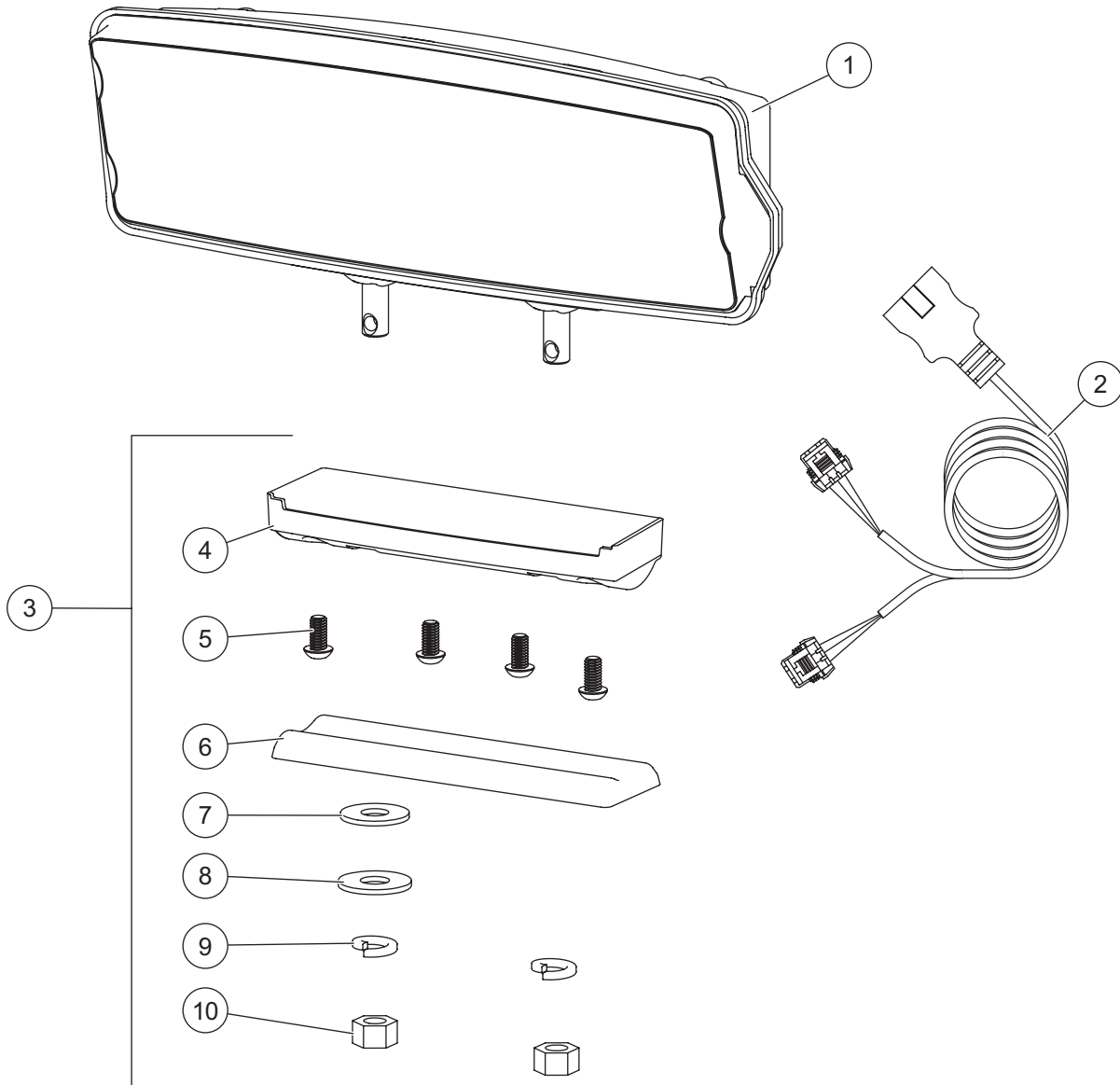
Headlamp Kit – Halogen



38800 Headlamp Kit H9/H11 (pair)							
Item	Part	Qty	Description	Item	Part	Qty	Description
1	38802	1	Headlamp Service Kit H9/H11 – PS	2	38807	1	Harness Service Kit H9/H11
ns	38801	1	Headlamp Service Kit H9/H11 – DS				
Item 1	38801/38802 Headlamp Service Kit H9/H11 – DS/PS						
3	38803	1	Rear Cover Kit H9/H11 – PS	6	38811	1	Headlamp Bulb Service Kit H11
ns	38812	1	Rear Cover Kit H9/H11 – DS	7	38809	1	Headlamp Bulb Service Kit H9
4	38804	1	Mounting Hardware Kit H9/H11	8	38808	1	Cover Screws Service Kit H9/H11 (pkg of 4)
5		1	Park/Turn Bulb (trade no. 4157NAK)				
ns = not shown							

ENFORCER™ CENTER ASSEMBLY 94040-3/94045-3

Headlamp Kit – LED



72525 Headlamp Kit LED							
Item	Part	Qty	Description	Item	Part	Qty	Description
1	39901	1	Headlamp Service Kit LED – DS	3	39903	1	Mounting Hardware Kit LED
ns	39902	1	Headlamp Service Kit LED – PS	ns	72512	1	LED Harness Connector Cover (pkg of 2)
2	72548	1	Harness Service Kit LED				
Item 3 39903 Mounting Hardware Kit LED							
4		1	Plastic Casing	8		1	1/2 Flat Washer
5		4	1/4 Button Cap Screw	9		2	1/2 Lock Washer
6		1	Headlamp Swivel	10		2	1/2 Hex Nut
7		1	1/2 Rubber Washer	ns		1	Metal Insert

ns = not shown



Western Products
PO Box 245038
Milwaukee, WI 53224-9538
www.westernplows.com

 A DIVISION OF DOUGLAS DYNAMICS, LLC

Copyright © 2022 Douglas Dynamics, LLC. All rights reserved. This material may not be reproduced or copied, in whole or in part, in any printed, mechanical, electronic, film, or other distribution and storage media, without the written consent of Western Products. Authorization to photocopy items for internal or personal use by Western Products outlets or snowplow owner is granted.

Western Products reserves the right under its product improvement policy to change construction or design details and furnish equipment when so altered without reference to illustrations or specifications used. Western Products or the vehicle manufacturer may require or recommend optional equipment for snow removal. Do not exceed vehicle ratings with a snowplow. Western Products offers a limited warranty for all snowplows and accessories. See separately printed page for this important information. The following are registered (®) or unregistered (™) trademarks of Douglas Dynamics, LLC: ENFORCER™, SECURITY GUARD™, ULTRAFINISH™, UltraMount® 2, WESTERN®.

Printed in U.S.A.