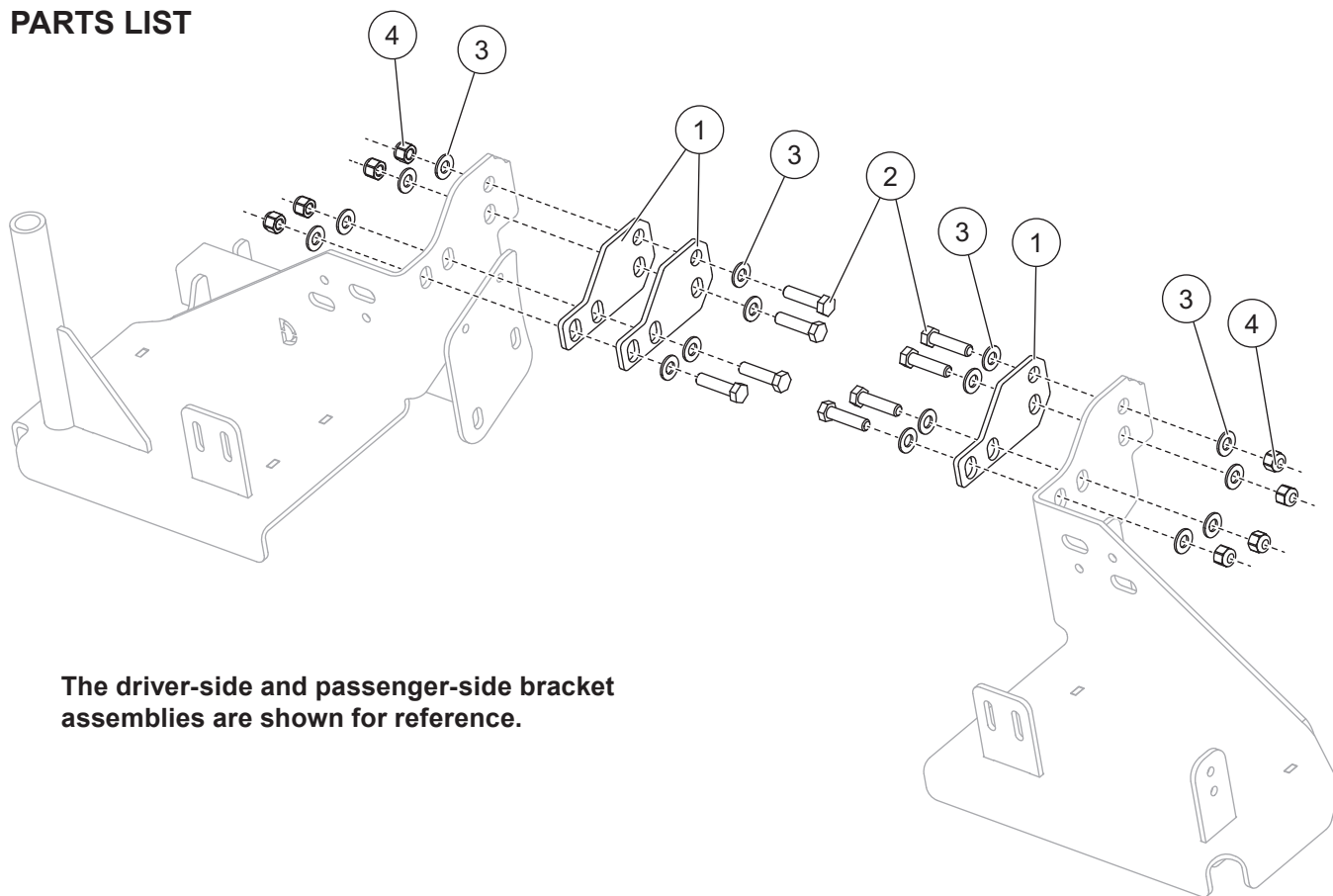


Spacer Plate Kit

Pivot Mount for 2-Stage Tailgate Spreader

Ford F-250/350/450 2017-__

PARTS LIST



The driver-side and passenger-side bracket assemblies are shown for reference.

74720 Spacer Plate Kit						
Item	Part	Qty	Description	Item	Part	Qty Description
1	74711	3	Spacer Plate	ns	74715	1 Bolt Bag
74715 Bolt Bag						
2		8	1/2-13 x 2 Hex Cap Screw G8	4		8 1/2-13 Hex Locknut GB
3		16	1/2 Hardened Flat Washer Type 1			
			ns = not shown	G = Grade		

⚠ WARNING

Do not exceed GVWR or GAWR, including blade and ballast. The rating label is found on the driver-side vehicle door cornerpost.

⚠ CAUTION

Read this document before installing the spacer plate kit.

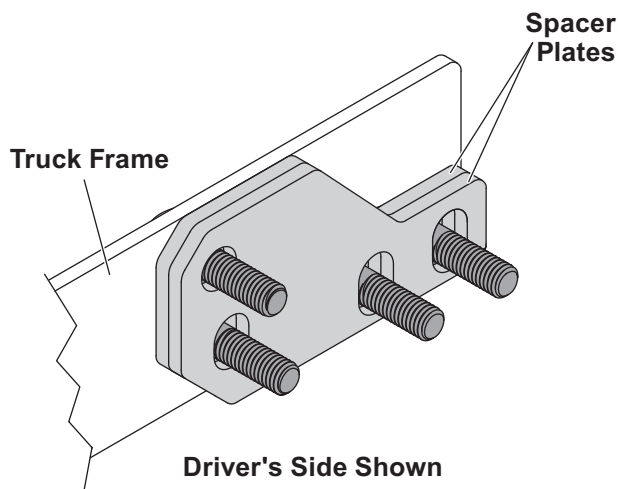
INSTALLATION INSTRUCTIONS

⚠ CAUTION

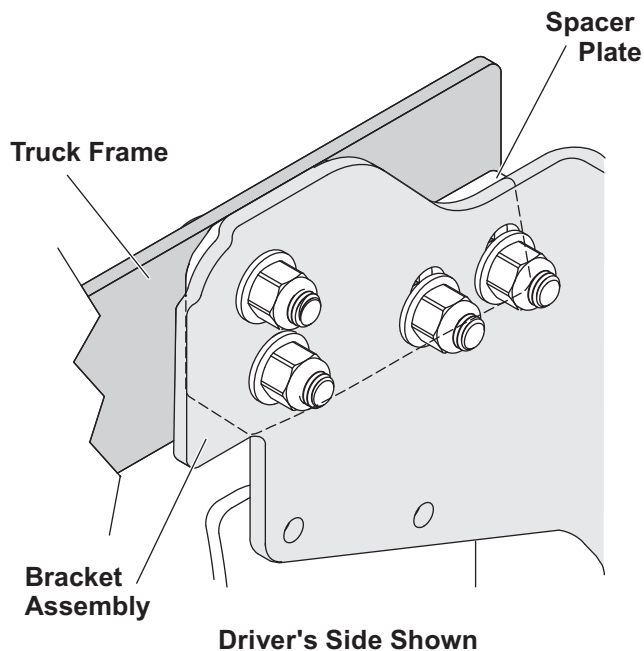
Use standard methods and practices when attaching snowplow and installing accessories, including proper personal protective safety equipment.

Driver's Side

1. Remove the spare tire from under the vehicle to gain access to the frame. (See vehicle owner's manual for more information.)
2. Remove the rear bed bolt for wrench clearance in the frame.
3. Remove the OEM fasteners from the keepers on the vehicle frame. Retain the fasteners for reinstallation in case the pivot mount kit is removed.
4. Place 1/2" washers on four 1/2" x 2" G8 cap screws. Install the fasteners through the frame from the inside out.
5. Install a spacer plate over the fasteners installed in Step 4. Use one or two spacer plates as necessary to achieve proper leveling of the bracket assembly.



6. Position the pivot mount driver-side bracket assembly in place of the original bumper bracket. Install the bracket assembly to the vehicle frame by securing the fasteners installed in Step 4 with 1/2" washers and 1/2" locknuts.



7. Continue installation of the bracket assemblies (refer to the Pivot Mount Installation Instructions, Lit. No. 74709).

Passenger's Side

1. Follow Steps 1–7 above to install a spacer plate on the passenger's side, using only one spacer plate in Step 5.
2. After completing installation of both bracket assemblies, be sure to reinstall the bed bolts, and reinstall the spare tire under the vehicle.

Copyright © 2019 Douglas Dynamics, LLC. All rights reserved. This material may not be reproduced or copied, in whole or in part, in any printed, mechanical, electronic, film, or other distribution and storage media, without the written consent of the company. Authorization to photocopy items for internal or personal use by the company's outlets or spreader owner is granted.

The company reserves the right under its product improvement policy to change construction or design details and furnish equipment when so altered without reference to illustrations or specifications used. This equipment manufacturer or the vehicle manufacturer may require or recommend optional equipment for spreaders. Do not exceed vehicle ratings with a spreader. The company offers a limited warranty for all spreaders and accessories. See separately printed page for this important information.

Printed in U.S.A.