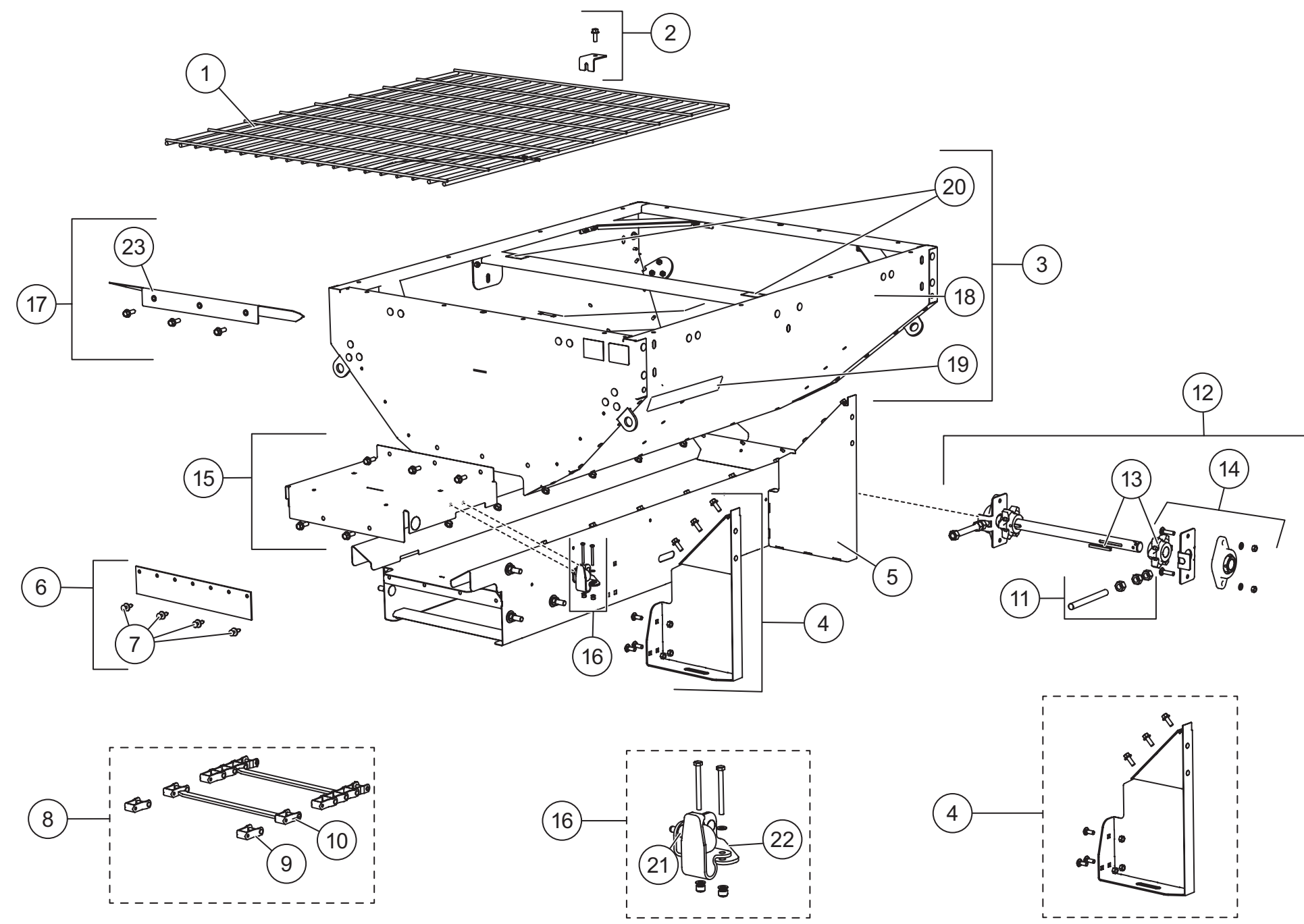
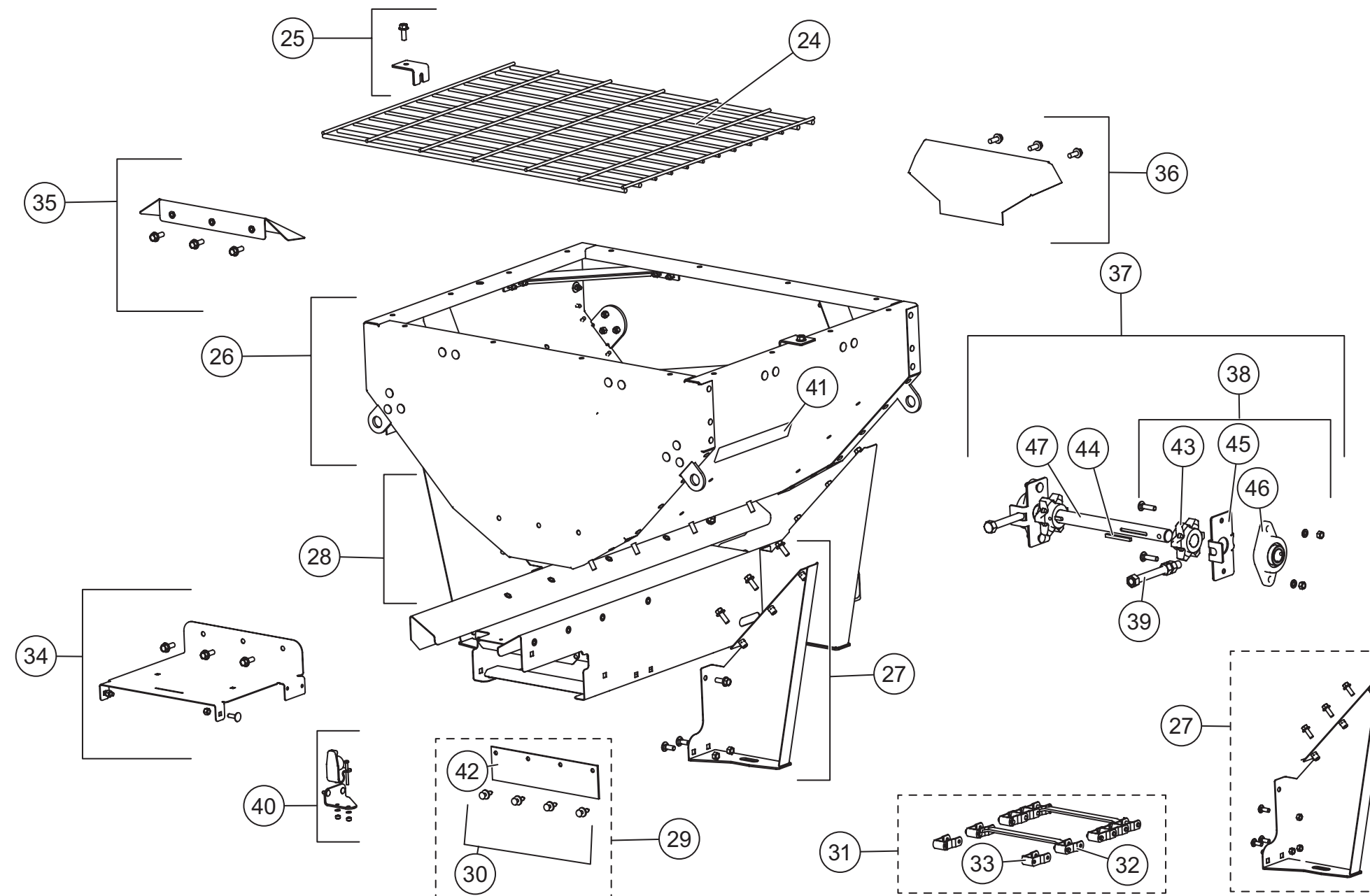


HOPPER COMPONENTS – 0.7 yd³



Item	Part	Description	Item	Part	Description
1	74697	Top Screen – 0.7 yd ³	13	99479	6-Tooth Sprocket Kit
2	83896	Screen Attachment Kit	14	94953	Spreader Bearing Kit
3	83895	Hopper Service Kit – 0.7 yd ³ Chain	15	83275	Mixing Chamber Cover Kit
4	83293	Leg Service Kit A – 0.7 yd ³ Chain	16	83308	Spinner Module Dust Cover
5	83294	Leg Service Kit B – 0.7 yd ³ Chain	17	83276	Tail-Side Doghouse Kit – 0.7 yd ³ Chain
6	78266	Wiper Replacement Kit	18	74645	Hopper Assembly – 0.7 yd ³
7	99079	Rivet Kit, Steel Hopper Wiper (pkg of 4)	19	31594EN	Label – Warning/Caution, Spreaders
8	74768	Pin Link Chain	20	67272	Label – Caution, Do Not Lift
9	68475	Conveyor Repair Link w/Pins & Cotters	21	74792	Spinner Harness Boot Bracket
10	68492	Conveyor Repair Bar w/Pins & Cotters	22	11991	Dust Cover, Spinner Plug
11	99073	Tensioner Bolt Kit	23	74813	Tail-Side Doghouse
12	99480	Idler Shaft Assembly Kit			

HOPPER COMPONENTS – 0.35 yd³



Item	Part	Description	Item	Part	Description
24	74696	Top Screen – 0.35 yd ³	36	83271	Cab-Side Doghouse Kit – 0.35 yd ³
25	83896	Screen Attachment Kit	37	83266	Idler Shaft Assembly Kit – 0.35 yd ³
26	83265	Hopper Service Kit – 0.35 yd ³	38	94953	Spreader Bearing Kit
27	83296	Leg Service Kit A – 0.35 yd ³	39	99073	Tensioner Bolt Kit
28	83297	Leg Service Kit B – 0.35 yd ³	40	83308	Spinner Module Dust Cover
29	83272	Wiper Replacement Kit – 0.35 yd ³	41	31594EN	Label – Warning/Caution, Spreaders
30	99079	Rivet Kit, Steel Hopper Wiper (pkg of 4)	42	74686	Wiper Belt – 0.35 yd ³
31	74758	Conveyor Chain, 48-Link	43	65909	Drive Sprocket Machining 6T
32	68375	Conveyor Repair Bar w/Pins & Cotters	44	95076	Brass Key, 2.75"
33	68475	Conveyor Repair Link w/Pins & Cotters	45	99532	Bearing Alignment Plate
34	83268	Mixing Chamber Cover Kit – 0.35 yd ³	46	94536	2-Bolt Flange Bearing, 1.125 ID
35	83269	Tail-Side Doghouse Kit – 0.35 yd ³	47	74662	Idler Shaft, 3"

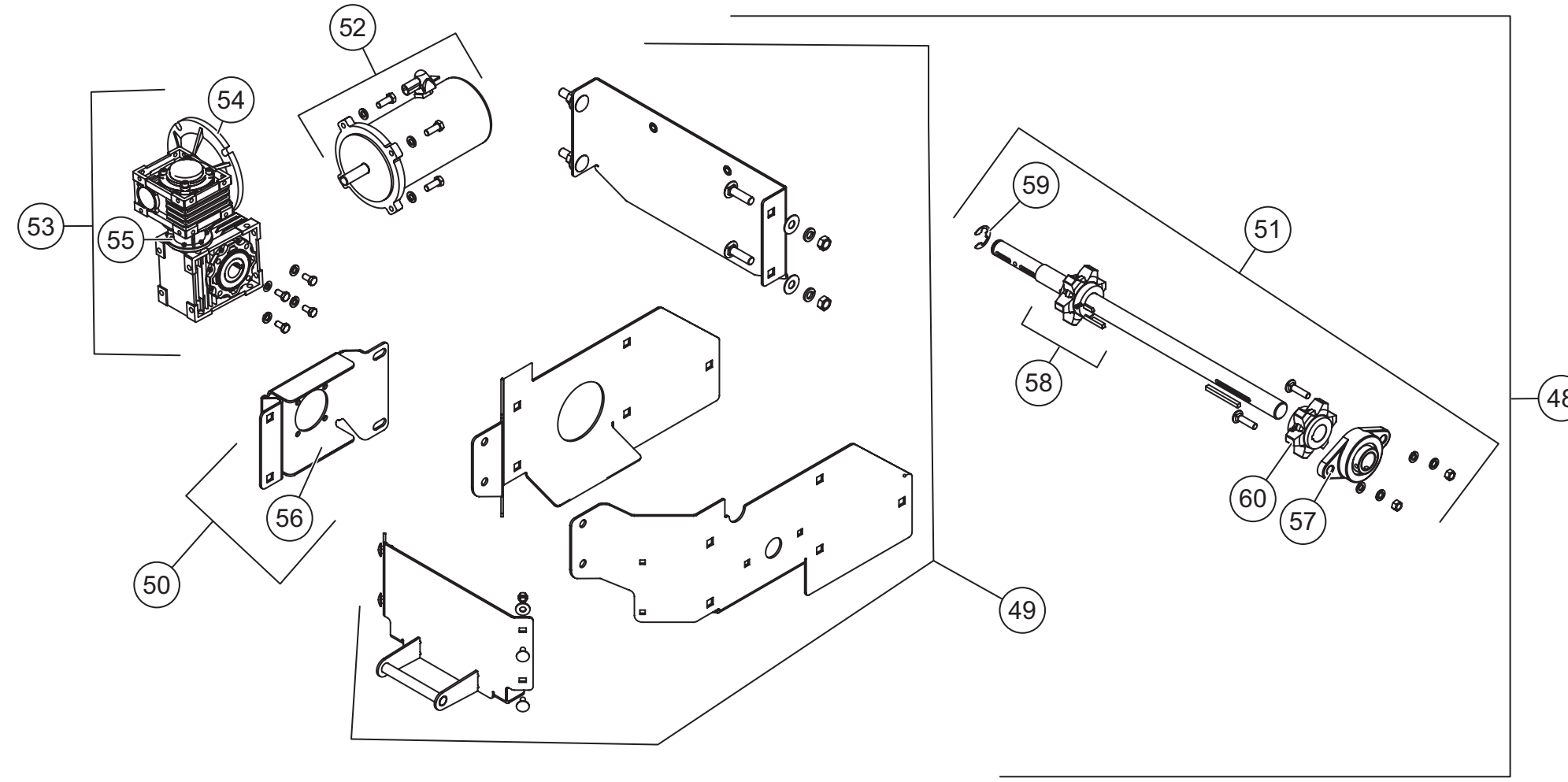


Striker®

0.35 yd³ & 0.7 yd³ HOPPER SPREADERS

INTERACTIVE PARTS POSTER AVAILABLE AT WWW.WESTERNPLOWS.COM
Full parts list (Lit. No. 74148) also available on website.

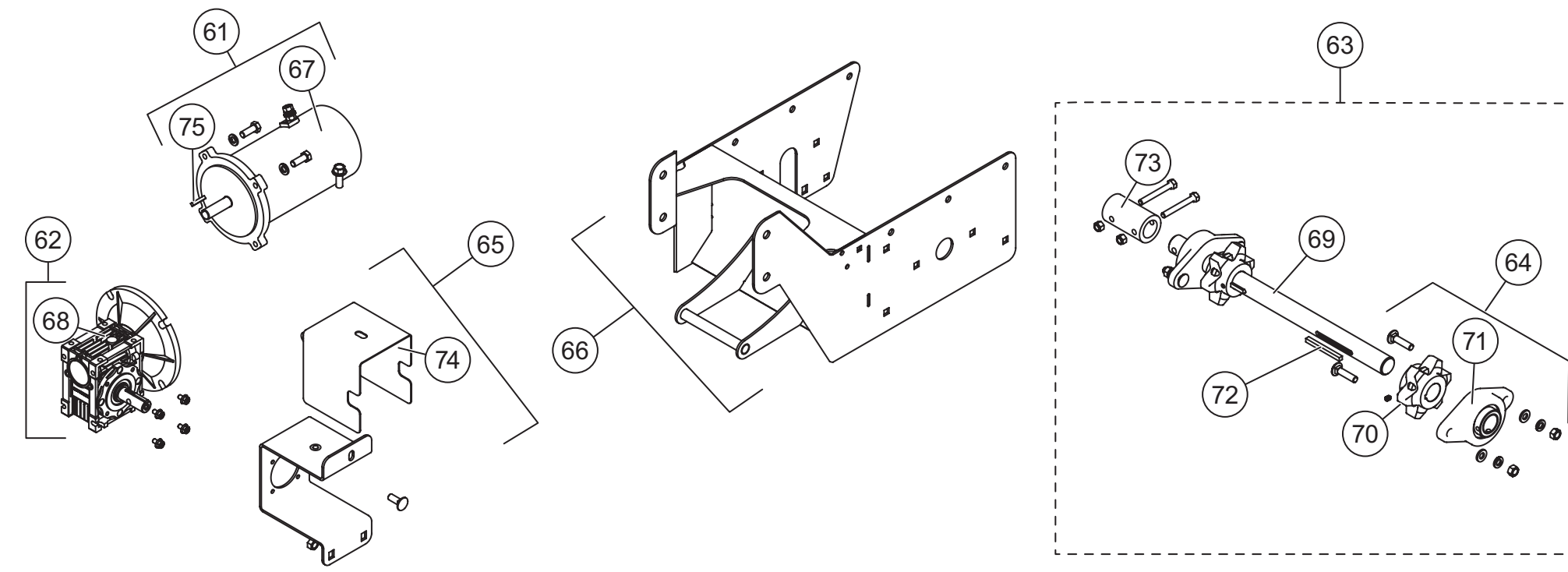
POWERGROUP COMPONENTS – 0.7 yd³



Item	Part	Description	Item	Part	Description
48	99091	Electric Conveyor Drive Kit	55	31102	Connector Flange
49	83274	Powergroup Mount Kit – 0.7 yd ³	56	83273	Gear Box Mount Bracket
50	83273	Gear Box Bracket Kit – 0.7 yd ³	57	94536	2-Bolt Flange Bearing, 1.125 ID
51	99094	Drive Shaft Kit, Electric	58	99251	Drive Shaft Assembly
52	99085	Motor Kit, 1/2 hp	59	330	1" Retaining Ring
53	31549	Transmission Kit	60	99479	6-Tooth Sprocket
54	31101	Motor Flange	ns	65195	Machine Key, 0.188 sq x 1.000

ns = not shown

POWERGROUP COMPONENTS – 0.35 yd³



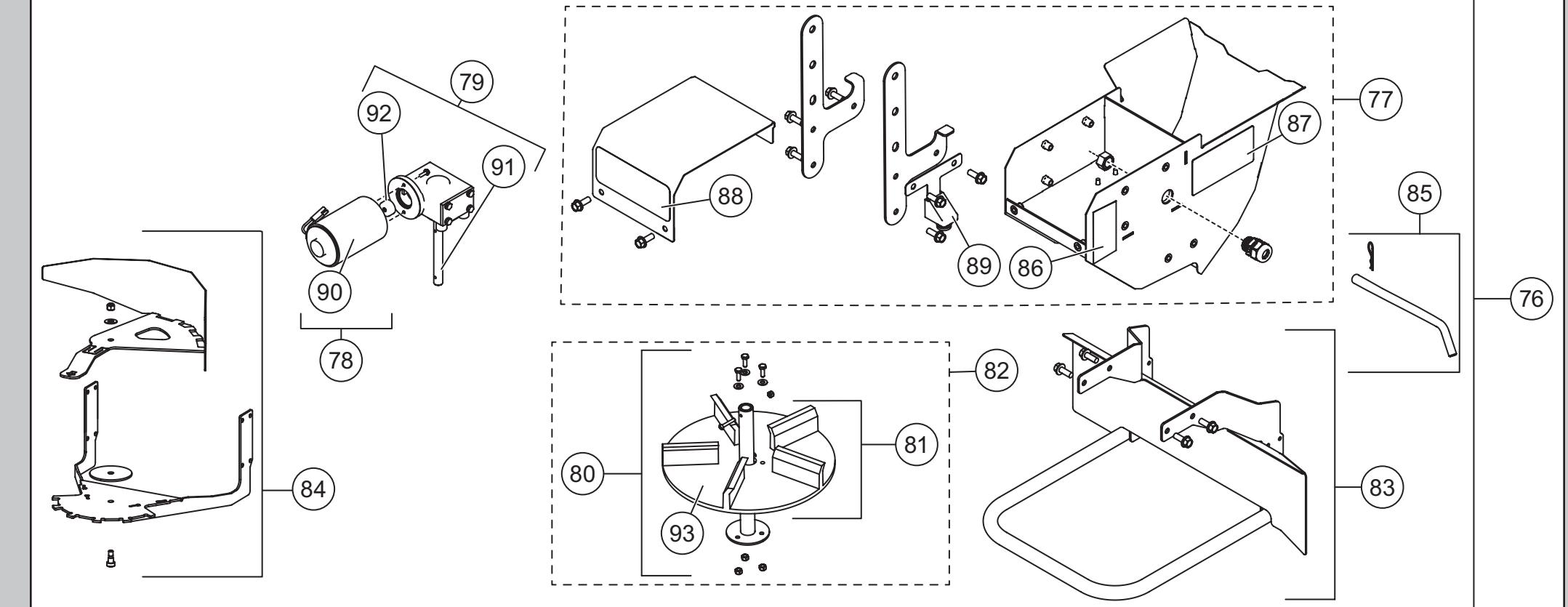
Item	Part	Description	Item	Part	Description
61	85479	Motor, 1/2 hp, 1750 rpm	69	74661	Gear Box Shaft
62	83267	Transmission Service Kit, 80:1	70	65909	Drive Sprocket Machining 6T
63	83264	Drive Shaft Kit – 0.35 yd ³	71	94536	2-Bolt Flange Bearing, 1.125 ID
64	94953	Spreader Bearing Kit	72	95076	Brass Key, 2.75"
65	83263	Gear Box Bracket Kit – 0.35 yd ³	73	74678	Drive Shaft Coupler – 0.35 yd ³
66	83262	Powergroup Mount Kit – 0.35 yd ³	74	91432	Motor Coupler Guard
67	D6825-1	Motor, 1/2 hp, 1750 rpm	75	65195	Machine Key, 0.188 sq x 1.000
68	10923	Transmission, 80:1 MRVC 040			

ACCESSORIES – 0.35 & 0.7 yd³

Item	Part	Description	Item	Part	Description
ns	99494	Strobe Light Kit	ns	85696	Spill Guard Kit – 0.35 yd ³
ns	99505-1	Primary Work Light Kit	ns	85697	Spill Guard Kit – 0.7 yd ³
ns	99732-1	Auxiliary Work Light Kit	ns	85698	Side Extensions – 0.35 yd ³
ns	85694	License Plate Kit	ns	85699	Side Extensions – 0.7 yd ³
ns	11763	Grease Point Kit (0.7 yd ³ only)	ns	85693	Truck Conversion Kit – 0.35 yd ³
ns	76668	Vibrator Kit	ns	85706	Inverted V Kit – 0.35 yd ³
ns	85692	Vehicle-Side Harness Kit – 0.35 yd ³	ns	85707	Inverted V Kit – 0.7 yd ³
ns	78402	Vehicle-Side Harness Kit – 0.7 yd ³	ns	99080	CHMSL Kit
ns	68790	Ratchet Strap Kit (pkg of 4)	ns	30062	Tarp Kit – 0.35 yd ³
			ns	30063	Tarp Kit – 0.7 yd ³

ns = not shown

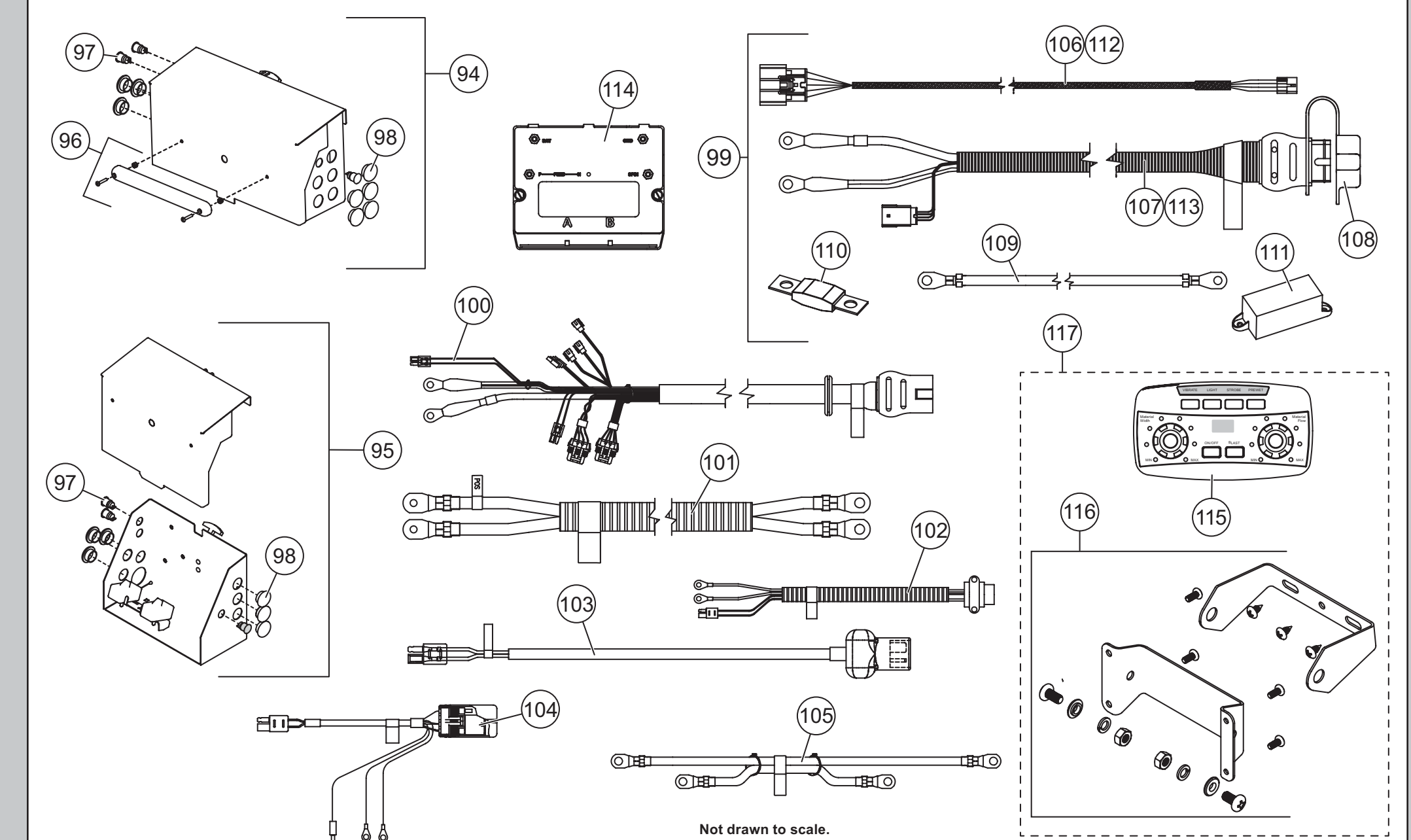
SPINNER DRIVE COMPONENTS – 0.35 & 0.7 yd³



Item	Part	Description	Item	Part	Description
76	83890	Chute Assembly	86	32593EN	Label – Warning, Multiple Pinch Points
77	83888	Spinner Drive Housing	87	92969	Label – Warning, Chute Disconnect
78	75901	Spinner Motor Service Kit	88	30917EN	Label – Warning, No Step
79	83722	Spinner Transmission Kit	89	11992	Dust Cover, Spinner Harness
80	83889	Spinner Mount Kit	90	72690	Motor
81	85438	Spinner Disk Service Kit	91	D6107	Worm Transmission 8:1, 5.9" Shaft
82	83887	Spinner Disk and Mount Kit	92	D6232	Motor Drive Coupler
83	85437	Spinner Guard Service Kit	93	D6823	12 x 5/8 Spinner
84	83270	Shutter Accessory, Chute	ns	11100	Label – Warning, Rear Camera
85	30879	Chute Pin Kit			

ns = not shown

ELECTRICAL COMPONENTS – 0.35 & 0.7 yd³



Item	Part	Description	Item	Part	Description
94	83299	Electrical Box Assembly – 0.7 yd ³	108	99759	Plug Cover
95	83292	Electrical Box Assembly – 0.35 yd ³	109	22511	22" Battery Cable – Red
96	99080	CHMSL Kit	110	95836	Fuse, 100A
97	99254	Switch, Push Button MO	111	95837	Fuse Holder/Isolated Stud Block
98	99195	Break-Thru Plug	112	69901	Vehicle Control Harness
99	78402	Vehicle-Side Harness Kit, 300"	113	78904	Vehicle Harness Assembly (incl. item 108)
	85692	Vehicle-Side Harness Kit, 140"	114	52385	Spreader Module, 4-Post
100	83688	Hopper Cable Assembly	115	99774	Cab Control 2-Knob
101	78987	Module to Auger Motor Cable Assembly	116	52345	Cab Control Bracket Kit
102	85448	Spinner Module Cable Assembly	117	99534	Cab Control Kit
103	78883	Spinner Motor Cable Assembly	ns	83712	Vibrator Extension Harness, 24"
104	78382	Vibrator Harness Assembly	ns	69916	8-Pin Cable Boot
105	78385	Module to Isolated Stud Cable Assembly	ns	61592	Butt Splice
106	69902	Vehicle Control Harness	ns	85480	Label – Information, Feed/Work Light
107	83690	Vehicle Harness Assembly (incl. item 108)	ns	85481	Label – Information, Feed Light

ns = not shown

Copyright © 2023 Douglas Dynamics, LLC. All rights reserved. This material may not be reproduced or copied, in whole or in part, in any printed, mechanical, electronic, film, or other distribution and storage media, without the written consent of Western Products. Authorization to photocopy items for internal or personal use by Western Products outlets or spreader owner is granted.

Western Products reserves the right under its product improvement policy to change construction or design details and furnish equipment when so altered without reference to illustrations or specifications used. Western Products or the vehicle manufacturer may require or recommend optional equipment for snow removal. Do not exceed vehicle ratings with a spreader. Western Products offers a limited warranty for all spreaders and accessories. See separately printed page for this important information. The following are registered (®) trademarks of Douglas Dynamics, LLC: Striker®, WESTERN®.



Western Products
P.O. Box 245038, Milwaukee, WI 53224-9538
www.westernplows.com