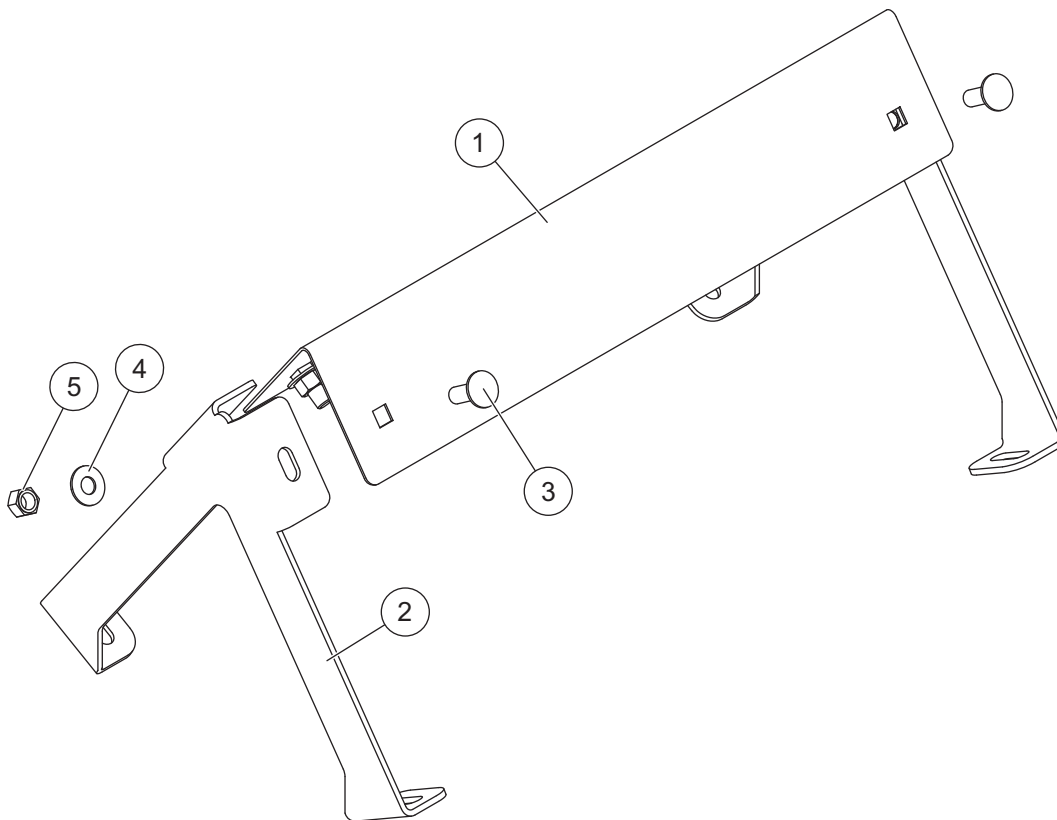


Inverted V Kit

0.35 & 0.7 yd³ Stainless Steel Hopper Spreaders

PARTS LIST



85706 Inverted V Kit – 0.35 yd ³							
Item	Part	Qty	Description	Item	Part	Qty	Description
1		1	Inverted V Panel – Short (0.35 yd ³)	ns	92035	1	Bolt Bag
2		2	Inverted V Leg – 0.35 yd ³				
85707 Inverted V Kit – 0.7 yd ³							
Item	Part	Qty	Description	Item	Part	Qty	Description
ns		1	Inverted V – Long (0.7 yd ³)	ns	92035	1	Bolt Bag
ns		2	Inverted V Leg – 0.7 yd ³				
92035 Bolt Bag							
3		4	3/8-16 x 1 Carriage Bolt SS	5		4	3/8-16 Hex Locknut GB SS
4		4	3/8 Flat Washer SS				
		ns = not shown				SS = Stainless Steel	
						G = Grade	

INSTALLATION INSTRUCTIONS

⚠ WARNING

Do not exceed GVWR or GAWR ratings as found on the driver-side vehicle door cornerpost.

⚠ CAUTION

Read this document before installing the inverted V kit.

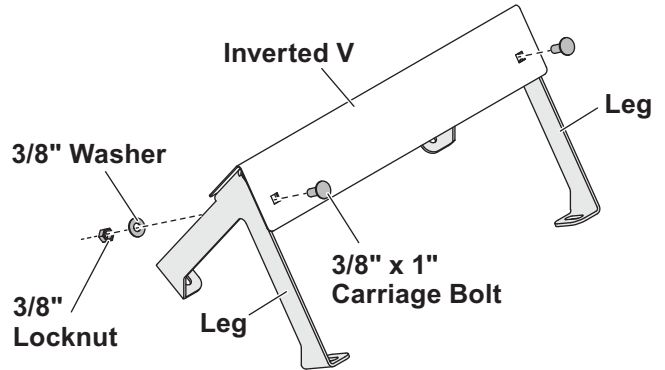
⚠ CAUTION

Use standard methods and practices when attaching spreader and installing accessories, including proper personal protective safety equipment.

NOTE: Apply anti-seize lubricant to all hardware to prevent galling.

1. Park the vehicle on a smooth, level, hard surface, such as concrete. Turn the vehicle ignition to the "OFF" position and remove the key.
2. Empty all material from the hopper.
3. Remove the top screen brackets and top screen. Set aside the screen, brackets, and fasteners for later use.

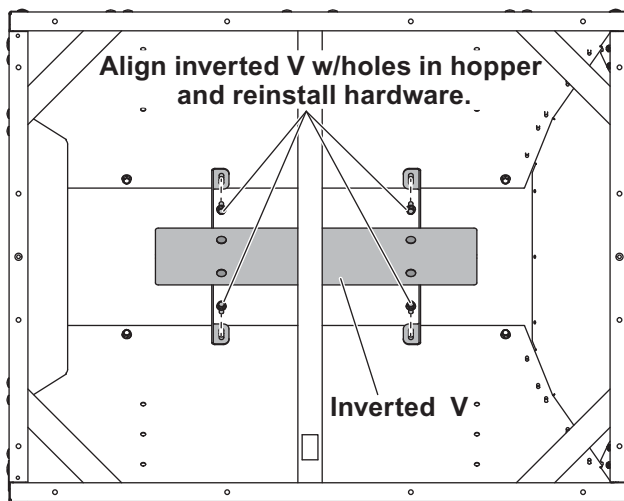
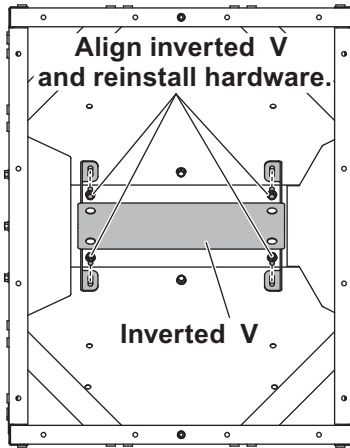
4. Position the inverted V legs so that the bends in the legs face each other.
5. Using the supplied 3/8" x 1" carriage bolts, 3/8" washers, and 3/8" locknuts, fasten the legs to the inverted V.



Inverted V for 0.35 yd³ hopper spreader shown.

6. **For 0.35 yd³ spreaders:** On the vehicle cab end of the hopper, remove the first and third set of bolts that hold the body of the hopper to the power train.
- For 0.7 yd³ spreaders:** On the vehicle cab end of the hopper, remove the second and fourth set of bolts that hold the body of the hopper to the power train.

7. Install the assembled inverted V in the hopper and align the legs with the holes. Reinstall the hardware removed in Step 6.



8. Tighten all 3/8" fasteners to 20 ft-lb.
9. Reinstall the top screen, top screen brackets, and hardware removed in Step 3.

Copyright © 2020 Douglas Dynamics, LLC. All rights reserved. This material may not be reproduced or copied, in whole or in part, in any printed, mechanical, electronic, film, or other distribution and storage media, without the written consent of the company. Authorization to photocopy items for internal or personal use by the company's outlets or spreader owner is granted.

The company reserves the right under its product improvement policy to change construction or design details and furnish equipment when so altered without reference to illustrations or specifications used. This equipment manufacturer or the vehicle manufacturer may require or recommend optional equipment for spreaders. Do not exceed vehicle ratings with a spreader. The company offers a limited warranty for all spreaders and accessories. See separately printed page for this important information.

Printed in U.S.A.
