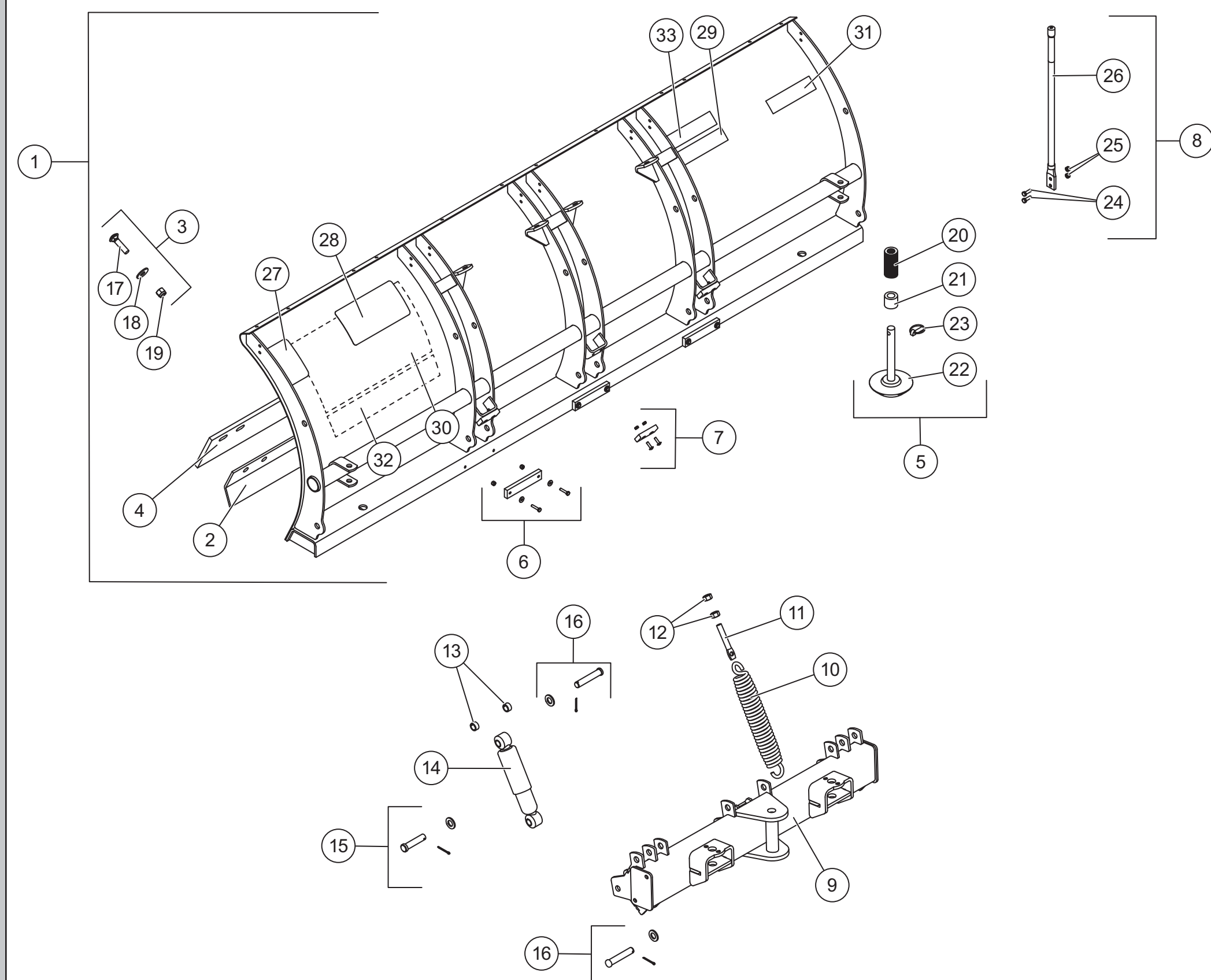


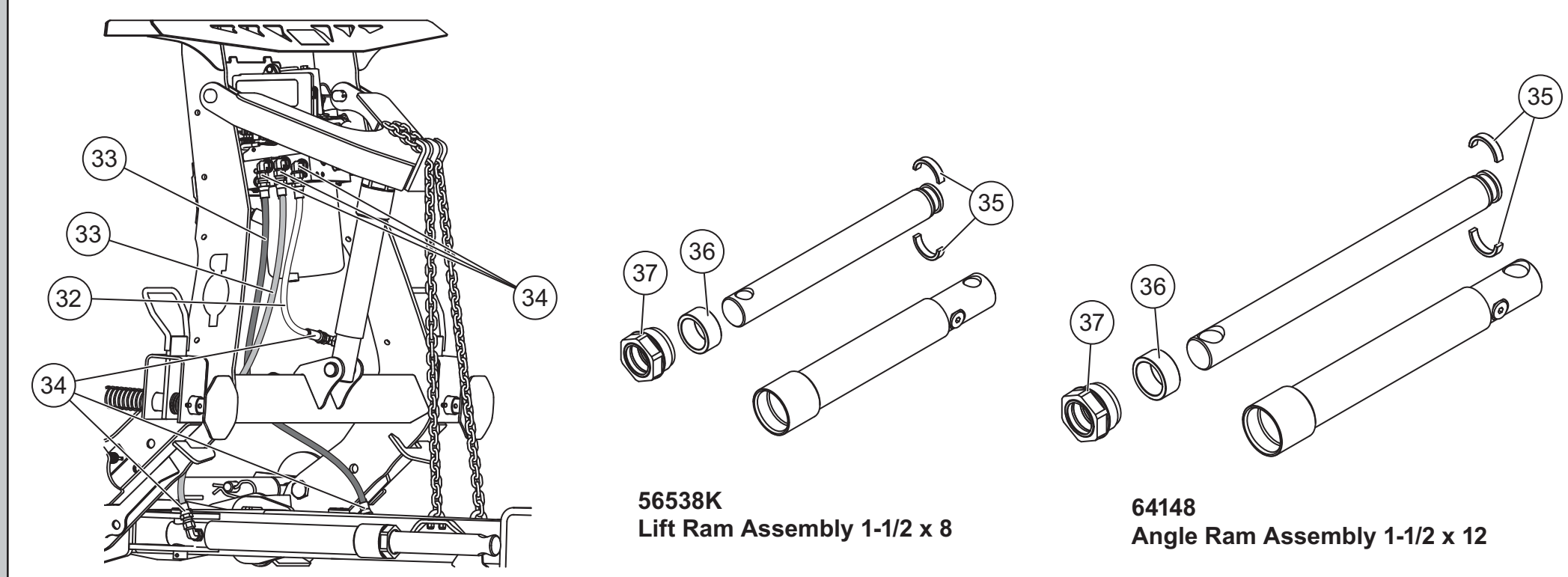
BLADE COMPONENTS



PRO PLUS® BLADES 76901/76974/76980			
Item	Part	Description	
1	66901	9' Blade Assembly	
	66974	8'6" Blade Assembly	
	66980	8' Blade Assembly	
2*	66991	9' Back Drag Edge	
	66999	8'6" Back Drag Edge	
	66892	8' Back Drag Edge	
3	29351	Cutting/Back Drag Edge Bolt Bag	
4	63990	9' Cutting Edge Kit (incl. Item 3)	
	63985	8'6" Cutting Edge Kit (incl. Item 3)	
	63980	8' Cutting Edge Kit (incl. Item 3)	
5	49071	Shoe Kit	
6	63977	Trip Stop Kit	
29351 Cutting/Back Drag Edge Bolt Bag			
17	63986	5/8-11 x 2-1/2 Carriage Bolt G5	
18	90576	5/8 Hardened Flat Washer	
49071 Shoe Kit			
20	91192	Round Flat Washer Special	
21	60045	Spacer	
62595 Blade Guide Kit			
24	68494	5/16-18 x 1 x Hex Cap Screw G5	
25	91332	5/16-18 Hex Locknut GB	
43359 Label Kit - UltraMount 2 PRO PLUS Blade			
27	59900	Label - Warning/Caution Snowplows	
28	43360	Label - UltraMount 2 Attach/Detach	
29	28404	Label - ULTRAFINISH™	
30	43899	Label - CONTRACTOR GRADE®	
	31	44451	Label - Logo, WESTERN® 8.31"
	32	91070	Label - Logo, PRO PLUS, Large
	33	63991	Label - Logo, PRO PLUS, Small

ns = not shown G = Grade * Accessory only.

RAMS, HOSES & FITTINGS



Item	Part	Description
32	41094	Hose, 1/4 x 18 w/F JIC Ends
33	49532	Hose, 3/8 x 36 w/F JIC Ends
34	56615-1	Elbow, 90° -6 M JIC-6 M ORB

F = Female

Item	Part	Description
35	64650	Split Bearing Kit 1-1/2
36	56537	Spacer
37	48985	Gland Nut Assembly

M = Male

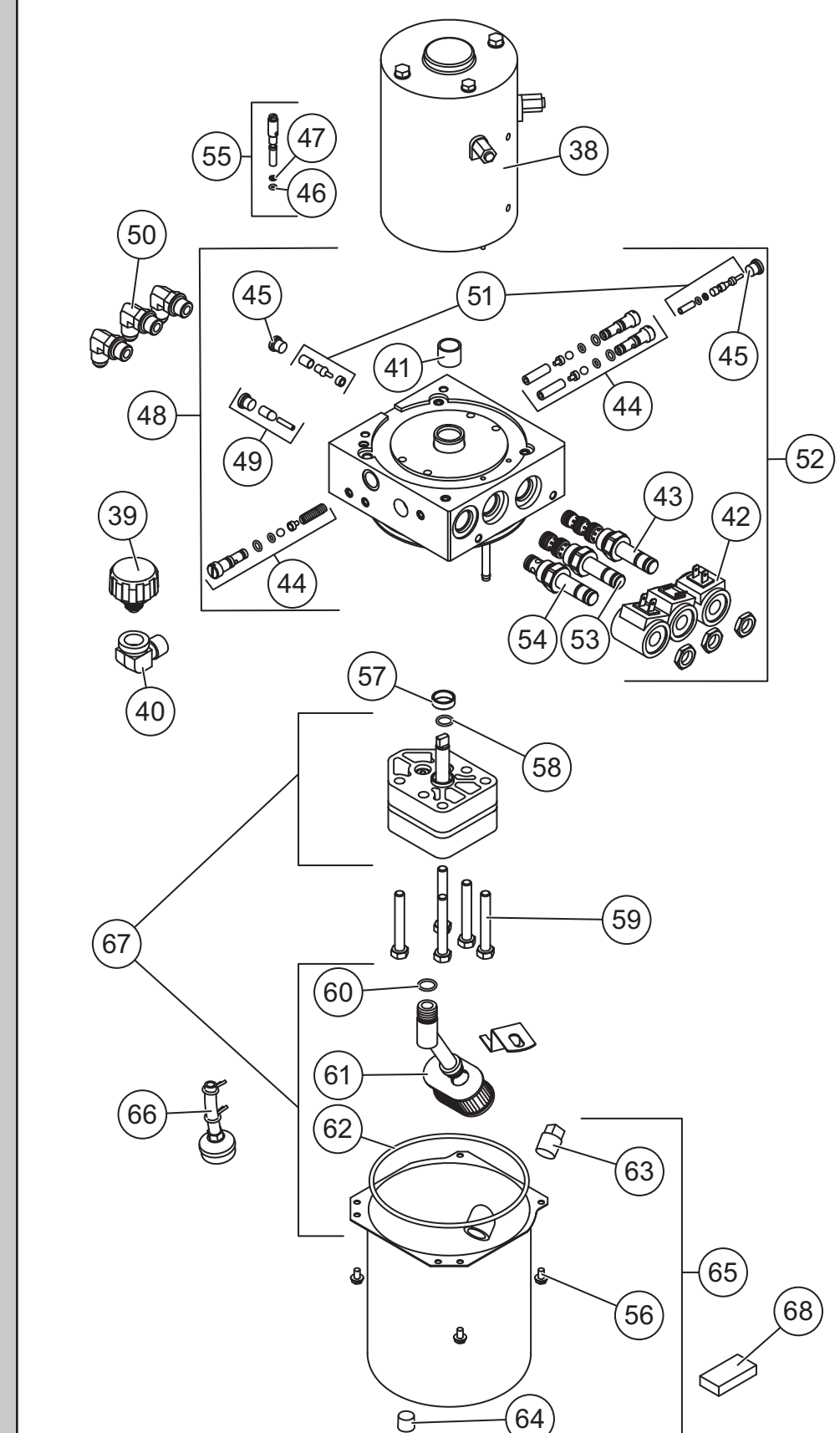


PRO PLUS SNOWPLOW



INTERACTIVE PARTS LIST AVAILABLE AT WWW.WESTERNPLOWS.COM
Full parts list PDF (Lit. No. 94113) also available on website.

HYDRAULIC UNIT

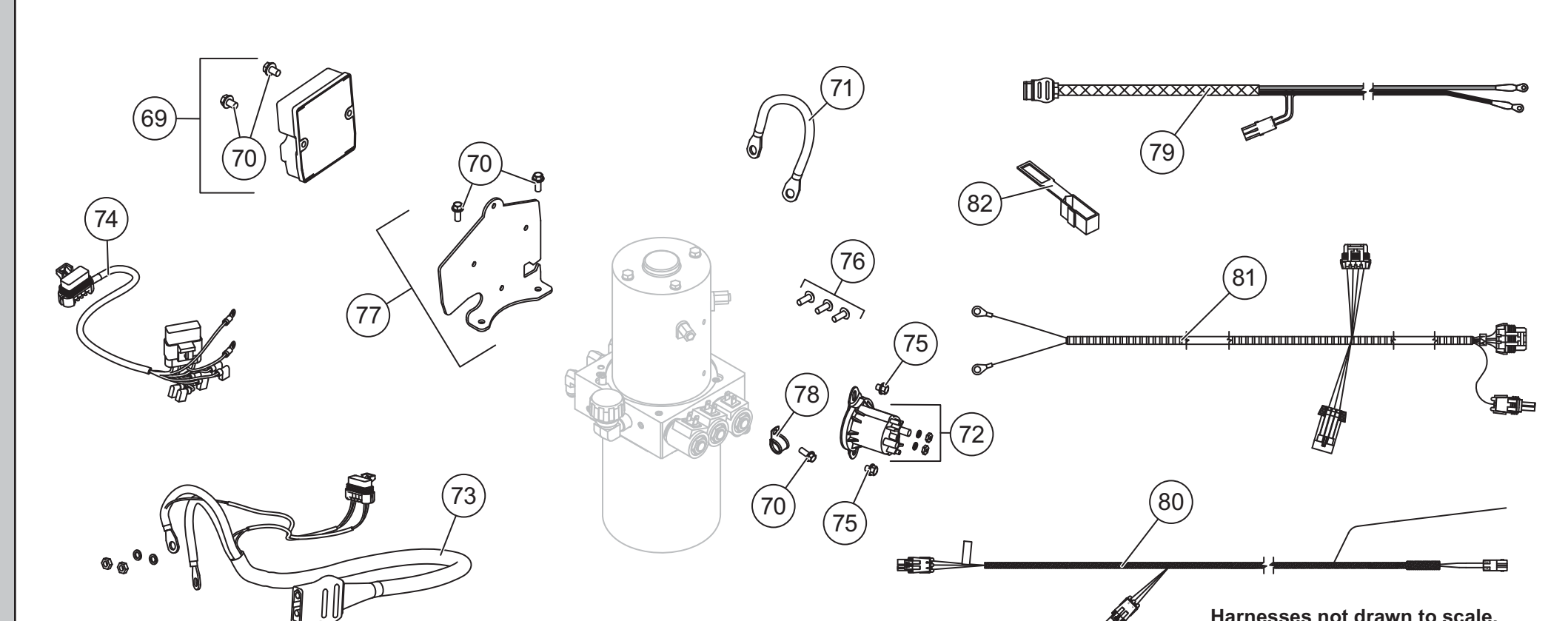


Hydraulic Unit 42345-1 Hydraulic Unit Service Kit* 42348-1		
Item	Part	Description
38	21500-1	Motor, 4-1/2"
39	21727-2K	Breather Pressure Control
40	21726K	Elbow, Street 90° 3/8 M NPTF/ 3/8 F NPTF
41**	64596-1	Sleeve Bearing & Shaft Seal Kit
42	49230K-2	Coil w/Spades
43	49229K-1	Cartridge Valve, 4-Way w/Nut
44	49138K-5	Relief Valve Kit (2 sets)
45	92960	Plug, Hex Socket -3 M ORB
46	25622	O-Ring -006
47	56315	Back-Up Ring -006
48	42346-2	Manifold Assembly
49	56507	Bypass Check Valve Kit
50	56615-1	Elbow, 90° -6 M JIC/-6 M ORB
51	49226K	Poppet Check Valve Kit
52	42347-2	Valve Manifold Assembly
53	66608-1	Cartridge Valve, 3-Way w/Nut
54	49227K-2	Valve, 2-Way w/Nut
55	56662	Quill Assembly
56	66607	#10-24 x 5/16 Slotted Hex Washer-Head Machine Screw
57*	66515	Pump Shaft Seal
58	56274	O-Ring -013
59	90073	5/16-18 x 2-1/4 Hex Cap Screw
60	56416	O-Ring -014
61	56789-5	Suction Filter
62	66519	O-Ring -2-250
63	92079	Plug, Square 3/8 NPTF
64	92095	Plug, Hex Socket 1/4 NPTF w/ Thread Sealant
65	21830	Reservoir Kit
66	66405	Return Screen Assembly
67	21501-1	Hydraulic Pump Kit
68	73897	Magnet
O-Ring Service Kits		
ns	56657-6	O-Ring & Back-Up Kit**
ns	49258-2	Seal Kit - Valves SV08-2004, CV08-20, SF08-2015
ns	49259-2	Seal Kit - Valves SV08-30, 31, 33, 40, 43 & SVCV08-20

* Includes PN 42345-1 hydraulic unit and plow-side electrical components
** Use 64589 tool for bearing sleeve replacement (includes 1 bearing).
† Use 28856 tool for pump shaft seal replacement (includes 1 seal).

ns = not shown F = Female M = Male G = Grade

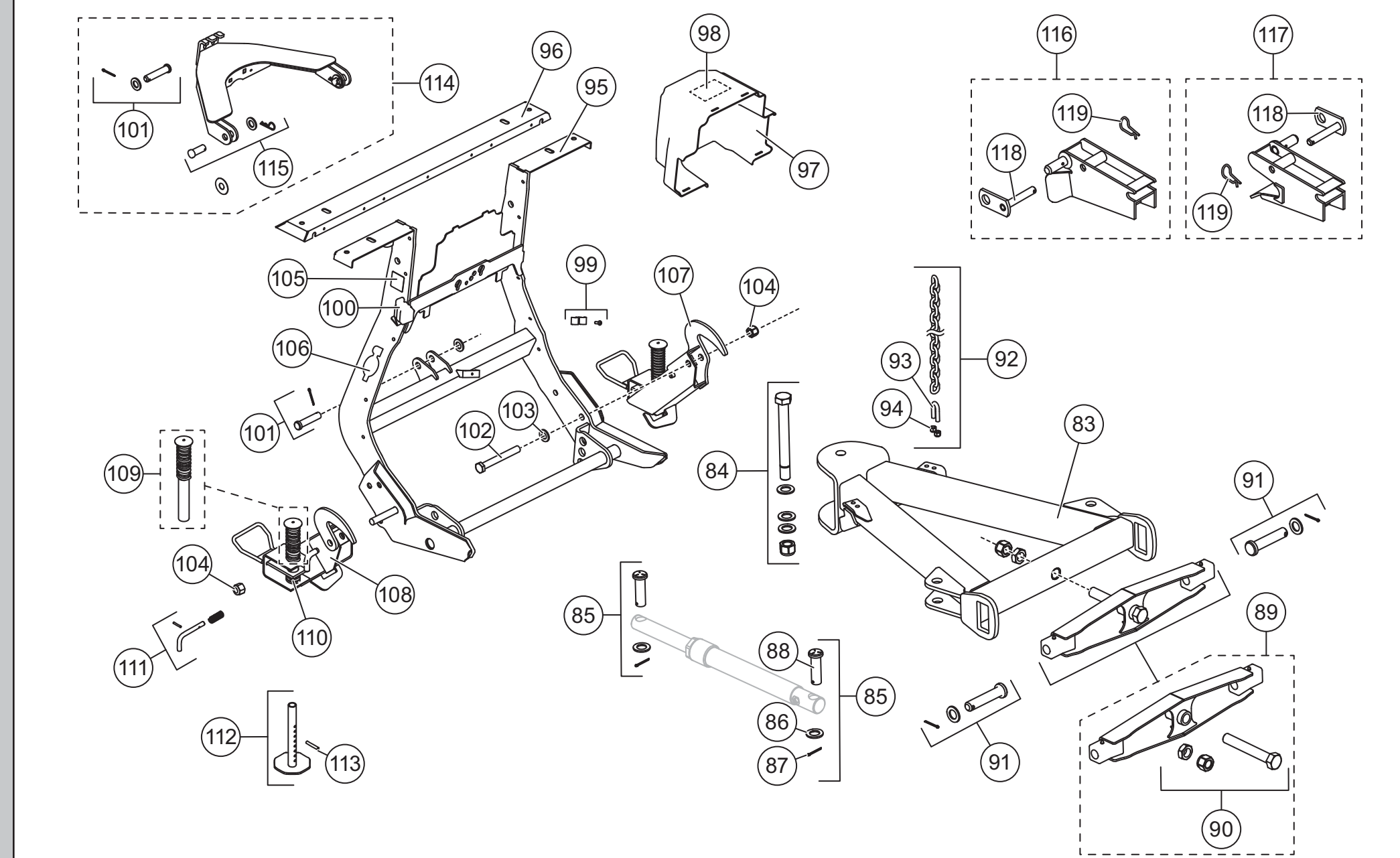
ELECTRICAL COMPONENTS



Item	Part	Description
69	49567	Plow Module, 2-Port
70	44355	1/4-20 x 5/8 Hex Washer-Head Thread-Rolling Screw
71	29071	Cable Assembly 8"
72	42902	Motor Relay Kit FLEET FLEX System
73	42015	Snowplow Battery Cable
74	28581-1	Harness Plow Control, 3-Solenoid
75	29099	1/4-20 x 1/4 Hex Washer-Head Thread-Rolling Screw
76	98043	3/8-16 x 1 Button Cap Screw
77	42287	Bracket - Plow Module
78	65340	Clamp Loop #10
79	28587	Vehicle Control Harness
80	42014	Vehicle Battery Cable
81	26498	Vehicle Control Harness - Central Hydraulics
82	61548K	Plug Cover Kit
ns	56099	Dielectric Grease

ns = not shown

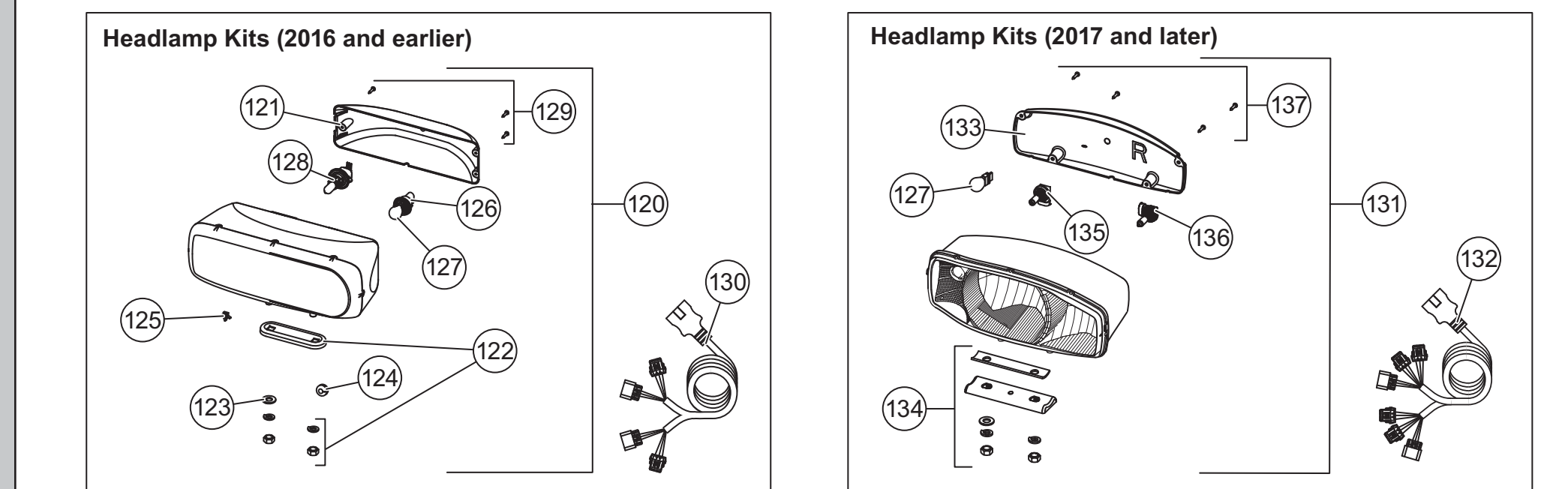
LIFT FRAME & A-FRAME



Item	Part	Description
83	66920	A-Frame
84	63978	Pivot Bolt Kit
85	63973	Ram Pin Kit
86	91192	Round Flat Washer, Special
87	91911K	5/32 x 1-1/2 Cotter Pin Kit (pkg of 4)
88	93074	1 x 3-1/4 Clevis Pin
89	67842-1	Pivot Bar Kit
90	67855	Pivot Bolt Kit
91	49645	Pivot Bar Pin Kit
92	49033	1/4 Grade 43 Chain Assembly
93	90453	3/8-16 x 1-1/2 U-Bolt G5
94	91333	3/8-16 Hex Locknut GB
95	86760	Lift Frame
96	43302	Light Channel
97	68314-1	Hydraulic Unit Cover (incl. item 98)
98	43353	Label - Hydraulic Information, Straight Blade
99	49479-1	Hose Bracket Kit
100	61246	Cable Boot
101	68740	3/4 x 3-1/2 Clevis Pin Kit
102	66451	3/4-10 x 6 Hex Cap Screw G5
103	91147	3/4 Flat Washer
104	91338	3/4-10 Hex Locknut GB
105	69689	Label - Logo, SECURITY GUARD™
106	43358	Label - Logo, UltraMount 2
107	72617	Stand Assembly - PS
108	72618	Stand Assembly - DS
109	48523	Plunger w/Spring
110	67636	Stand Lock Spring
111	67844	Stand Lock Pin Kit
112	67847	Stand Shoe Kit
113	67635	1/4 x 2 Roll Pin
114	43304	Lift Arm Kit
115	43351	3/4 x 2 Clevis Pin Kit
116	76722	Receiver Kit - DS
117	76718	Receiver Kit - PS
118	42498	Receiver Pin
119	91965K-1	5/32 Hairpin Cotter

G = Grade

HEADLAMPS



Item	Part	Description
120	28801-1	Headlamp Service Kit H13 - DS
ns	28802-1	Headlamp Service Kit H13 - PS
121	28803-1	Rear Cover Kit (fits 2- or 3-screw)
122	28804	Mounting Hardware Kit
123	91105	1/2 Flat Washer
124	66130	Rubber Grommet
125	56595	Cable Tie Anchor
126	28805	Park/Turn Socket Service Kit
127	-	Park/Turn Bulb (trade no. 4157/NAK)
128	28806	Headlamp Bulb Service Kit H13
129	28808-1	Cover Screws Service Kit (pkg of 3)
130	28213W	Harness Service Kit H13
131	38802	Headlamp Service Kit H9/H11 - PS
ns	38801	Headlamp Service Kit H9/H11 - DS
132	38807	Harness Service Kit H9/H11
133	38803	Rear Cover Kit H9/H11 - PS
ns	38812	Rear Cover Kit H9/H11 - DS
134	38804	Mounting Hardware Kit H9/H11
135	38811	Headlamp Bulb Service Kit H11
136	38809	Headlamp Bulb Service Kit H9
137	38808	Cover Screws Service Kit H9/H11 (pkg of 4)

ns = not shown