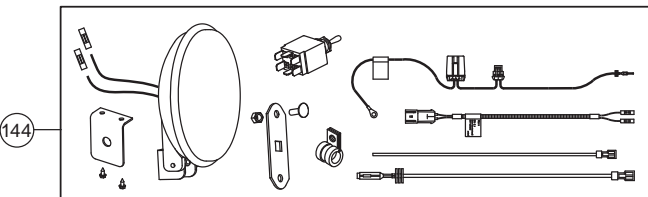
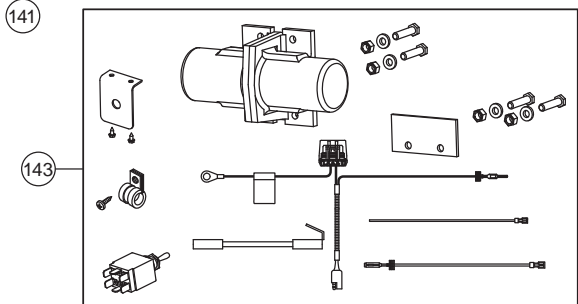
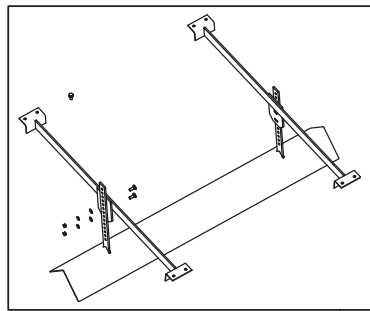
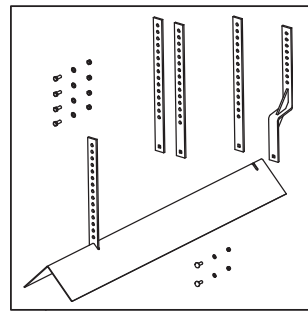
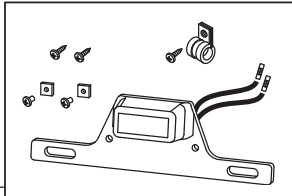


# Tornado

## SERVICE PARTS

For more information, see complete parts lists at [www.westernplows.com](http://www.westernplows.com): no. 96110 (1.25 cu yd Tornado™ Hopper Spreader 96000) and no. 94205 (1.5, 1.8 & 2.5 cu yd Tornado Hopper Spreader 78000/78003/78006).

### Tornado Hopper Spreader Accessories



### ACCESSORIES KITS

Item	Part	Description	Item	Part	Description
140	78197	License Plate Light Kit – 1.5, 1.8 & 2.5 cu yd	143	78195	Vibrator Kit – 1.5, 1.8 & 2.5 cu yd hoppers
141	78150	Inverted Vee Kit – 1.5 cu yd hopper	144	78198	Work Light Kit – 1.5, 1.8 & 2.5 cu yd hoppers
142	78120	Inverted Vee Kit – 1.8 & 2.5 cu yd hoppers	ns	96042	Top Screen Fastener Repair Kit – 1.25 cu yd hopper
143	95970	Inverted Vee Kit – 1.25 cu yd hopper			

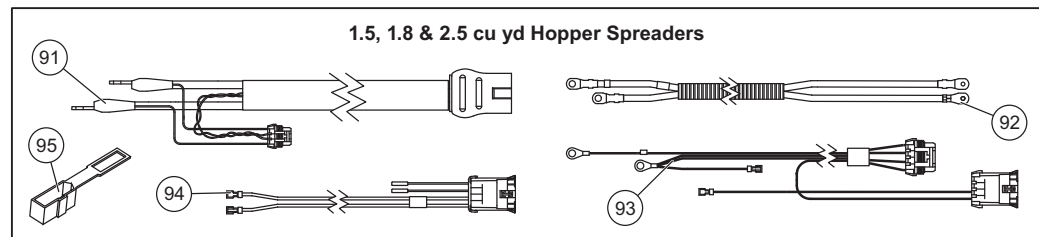
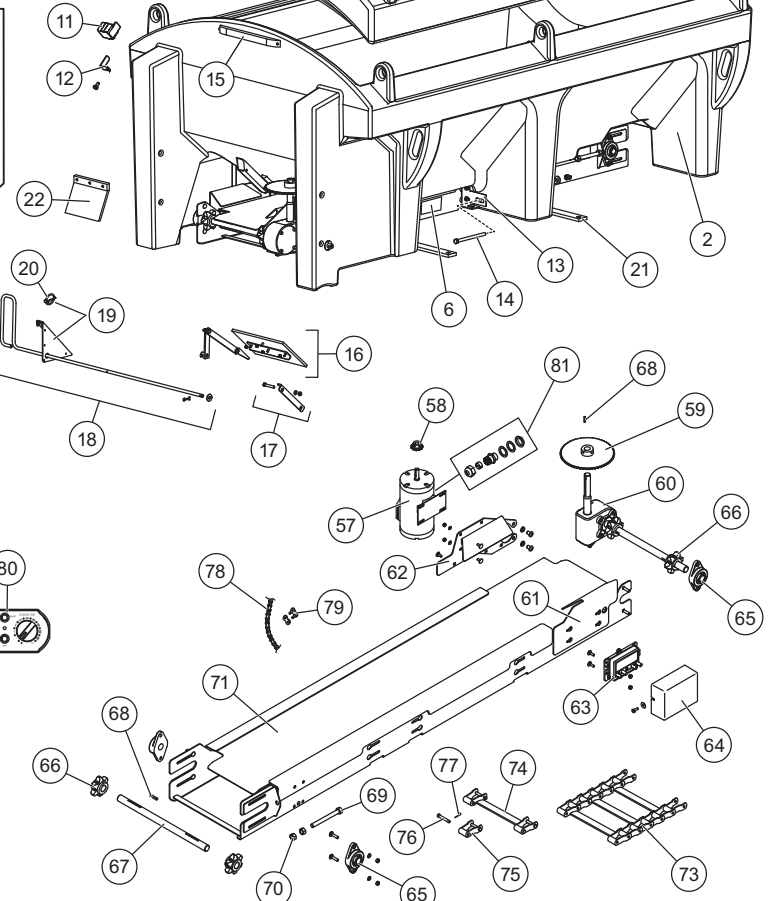
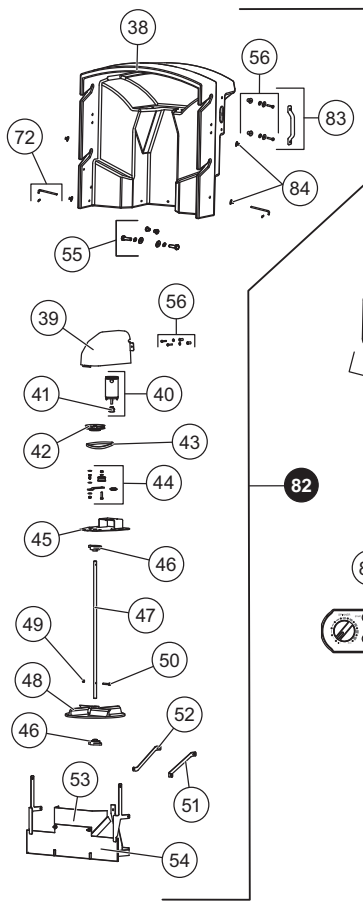
**Western Products**  
[www.westernplows.com](http://www.westernplows.com)  
 P.O. Box 245038  
 Milwaukee, WI 53224-9538

Copyright © 2014 Douglas Dynamics, LLC. All rights reserved. This material may not be reproduced or copied, in whole or in part, in any printed, mechanical, electronic, film or other distribution and storage media, without the written consent of Western Products. Authorization to photocopy items for internal or personal use by Western Products outlets or spreader owner is granted.

Western Products reserves the right under its product improvement policy to change construction or design details and furnish equipment when so altered without reference to illustrations or specifications used. Western Products or the vehicle manufacturer may require or recommend optional equipment for spreaders. Do not exceed vehicle ratings with a spreader. Western Products offers a limited warranty for all spreaders and accessories. See separately printed page for this important information. The following are registered (®) or unregistered (™) trademarks of Douglas Dynamics, LLC: Tornado™, WESTERN®.

Use only genuine WESTERN® replacement parts.

### 1.5, 1.8 or 2.5 cu yd Tornado Hopper Spreader



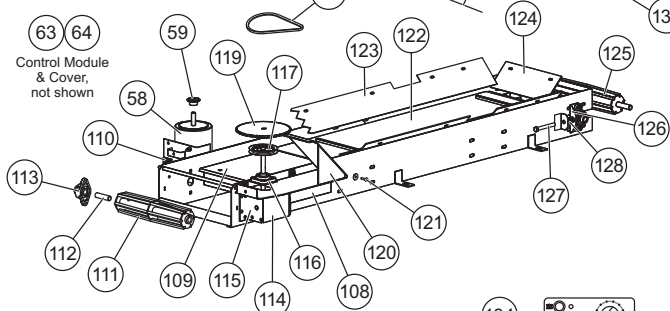
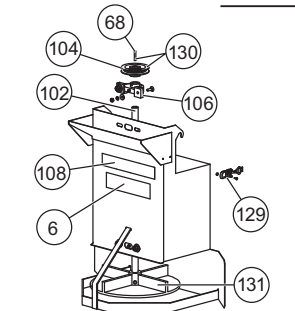
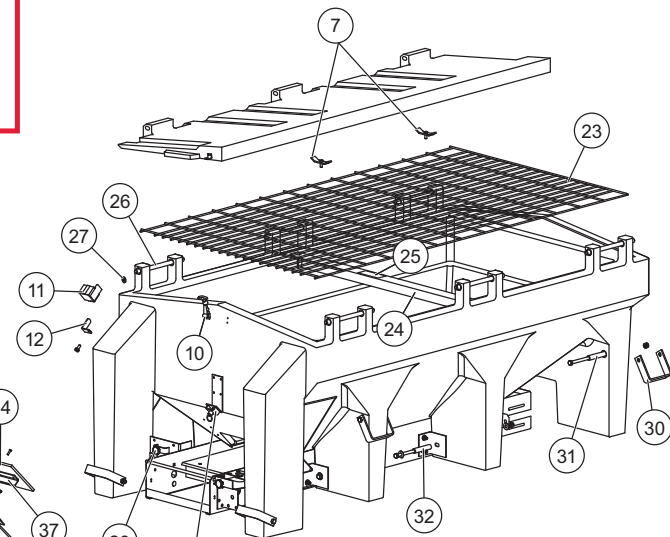
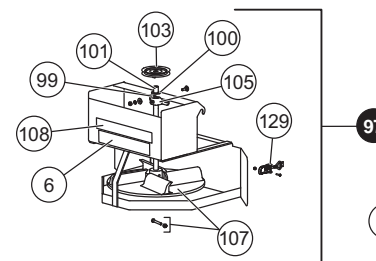
### HOPPER COMPONENTS

Item	Part	Description	Item	Part	Description	Item	Part	Description
1	78018	Poly Hopper Lid 7' (DS)	10	65224	Strap, Rubber Hold-Down Assembly	24	96380-1	Top Screen Brace with Labels
2	78019	Poly Hopper Lid 8' (DS)	11	61246	Cable Boot	25	67272	Label – Information (Caution)
ns	78020	Poly Hopper Lid 7' (PS)	12	8289	Boot Bracket	26	95817	Hinge Pin
	78021	Poly Hopper Lid 8' (PS)	13	78119	Hopper Mounting Bracket (PS)	27	95818	Hinge Pin Retainer
	78009	Poly Hopper Body 7'	ns	78133	Hopper Mounting Bracket (DS)	28	95897	Feed Gate Latch
2	78012	Poly Hopper Body 8'	14	78203	1/2-13 x 7-1/2 Hex Cap Screw SS	29	67158	1/4-20 x 1 Thumb Screw SS
3	78226	Poly Hopper 8' Collar	15	78048	CHMSL Kit (incl. fasteners)	30	95848	Handle
ns	78242	Poly Hopper Collar Hardware Kit	16	78118	Feed Gate Assembly Kit (incl. subassembly)	31	95812	5" Sleeve
4	78115	Top Screen, 7' (Painted)	17	78083	Feed Gate Guide w/ Fasteners Kit	32	95830	4" Sleeve
	78116	Top Screen, 8' (Painted)	18	78094	Feed Gate Handle Kit	33	65361	Center High Mounted Stoplight (CHMSL)
5	78279	Top Screen Support, Adjustable w/Label (67272)	19	78098	Feed Gate Detent Bracket (incl. actuator assy)	34	95772	Poly Feed Gate
6	68584	Label – Warning/Caution, Spreaders	20	93042K	3/16 Linchpin	35	95773	Feed Gate Guide
7	96038	Wing Bolt	21	78109	Mounting Bar (incl. fasteners)	36	95899	Feed Gate Handle
8	93010	7/16 Linchpin	22	78177	Sprocket Shield Kit	37	95878	Feed Gate Stiffener
9	78097	Washer 2.5 OD x 1.53 ID SS	23	95846-2	Top Screen – 1.25 cu yd hopper			

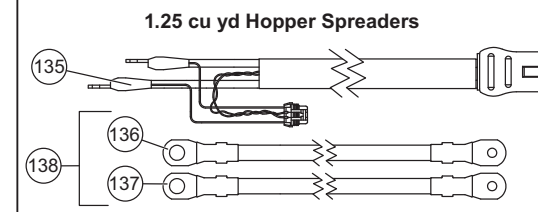
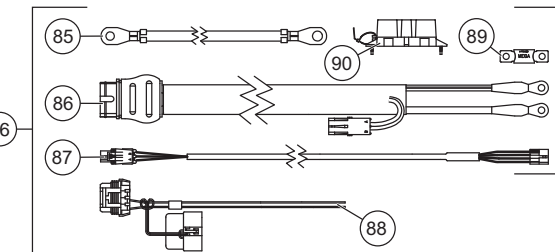
ns = not shown

SS = Stainless Steel

### 1.25 cu yd Tornado Hopper Spreader



### Vehicle-Only Components Kits



### DRIVE COMPONENTS

Item	Part	Description	Item	Part	Description	Item	Part	Description
38	78022	Chute Cover	71	78192	Sill 7'	106	65636	Pillow Block Bearing, 1 Bore
ns	78287	Chute Motor Cover	72	78193	Sill 8'	107	94511	Poly Spinner Kit
39	78099*	Chute Motor Cover	73	78031	Chute Attachment Pin Bag (pkg of 2)	108	68737	Reflective Strip, Red/White
40	78300	Motor 12V DC 1/3 hp (incl. item 43)	74	78076	Printle Chain (99 links)	109	95769	Poly Floor
ns	78125*	Chute Motor Mounting Plate Kit	75	94898	Printle Chain (108 links)	110	95730	Motor Brace
41	93101	10-Tooth Cogged Belt Pulley	76	68492	Conveyor Repair Bar w/Pins and Cotter	111	68605	Conveyor Roller, Drive
42	78106*	10-Tooth Cogged Belt Pulley	77	68475	Conveyor Repair Link w/Pins and Cotter	112	65753	Stub Shaft, Conveyor Roller
43	78066	40-Tooth Cogged Belt Pulley 3/4 Bore	78	41743	Conveyor Chain Pin w/Cotter	113	68619	Flange Bearing 3/4 Bore
44	78285	Gear Belt	79	91897	3/32 x 1/2 Cotter Pin	114	95756	Gear Box 20:1
45	M1355*	Gear Belt	78	78075	#40 Chain with Master Link	115	95809	Gear Box Mounting Bracket
46	78298	Idler Kit	79	95894	#40 Chain Master Link	116	68662	Flange Bearing 4-Bolt, 5/8 Bore
44	78297	Chute Motor Base Plate	80	78102	Cab Control – 1.5, 1.8 & 2.5 cu yd hoppers	117	65765	Pulley, 4-1/2 x 5/8 Bore
ns	78126*	Chute Motor Base Plate Kit	ns	78246	Control Bracket Kit	118	94691	V-Belt
46	96167	Pillow Block Bearing 3/4 Bore	81	78201	Seal Kit	119	95776	55-Tooth Sprocket #40
47	78283	Spinner Shaft	82	78229-1	Full Chute Assembly	120	95814	Gear Box Cover
47	78067*	Spinner Shaft	83	78247	Chute Handle Kit	121	68067	1/4-20 x 1 Hex Cap Screw SS
48	94424	Spinner, Poly	84	78262	Chute Attachment Sleeve Kit	122	95757-1	Cleated Conveyor Belt
49	91430	5/16-18 Hex Nut SS	85	22511K	22" Battery Cable	123	95770-1	Side Belt Guard
50	94495	5/16-18 x 2-1/4 Hex Cap Screw SS	86	29217	Vehicle Power Cable	124	95771	Front Belt Guard
51	78301	Brace, DS	87	29221	Vehicle-Side Control Harness	125	95963	Idler Roller Assembly, Conveyor
52	78302	Brace, PS	88	78199	CHMSL Harness Kit – 1.5, 1.8, 2.5 cu yd hoppers	126	95762	Bearing Plate
53	78294	Deflector	89	95836	Fuse, 100 Amp	127	68620	1/2-13 x 4 Take-Up Bolt SS
54	78130	Spinner Guard	90	95837	Fuse Holder	128	67295	1/2-13 Hex Nut SS
55	78268	3/8 Well Nut Fastener Kit	91	48808	Spreader Power Cable	129	95819	Draw Latch
56	78270	1/4 Well Nut Fastener Kit	92	78103	Wiring – Module to Conveyor Motor	130	95843	Pulley Kit, 4-1/2 x 1 Bore
57	95755-2	Motor 12V DC, 1/2 hp	93	78104	Wiring – Module to Spinner Connector & CHMSL	131	94513	Spinner, Poly Service Kit 14.5"
58	95777	Sprocket, #40 x 11T x 5/8	94	78105	Wiring – Spinner Connector to Spinner Motor	132	95778	Drive Chain #40
59	78057	Sprocket, #40 x 55T x 1	95	61548K	Plug Cover Kit	133	95929	Conveyor Belt Lacing Pin
60	95567	Gear Case 20:1	96	78204	Vehicle-Only Components Kit – 1.5, 1.8 & 2.5 cu yd hoppers (Cab Control not included.)	134	29247	Cab Control – 1.25 cu yd hopper
61	78131	Chain Guard, Rear (DS)				135	28585	Spreader Power Cable
62	78132	Chain Guard, Rear (PS)	97	95785	Chute & Spinner Assembly, Standard	136	29249-1	Cable Assembly, Black
63	78178-1	Control Module – Dual Motor	98	95850	Chute & Spinner Assembly, Extended	137	29251-1	Cable Assembly, Red
64	78108	Module Cover	99	65777	Locking Collar, 3/4 Bore	138	29253	Motor Cable Kit
65	94536	1-1/8 Bearing, 2-Bolt Flange	100	67114	3/4 Thrust Washer	139	95744	Vehicle-Only Components Kit – 1.25 cu yd hopper (Cab Control not included.)
66	65909	Drive Sprocket, 6-Tooth	101	95795	Spinner Shaft, Standard Chute	ns	68794	CHMSL Harness Kit – 1.25 cu yd hopper
67	94351	Idler Shaft	102	95960	Spinner Shaft, Extended Chute	ns	95938	Label – Information (Caution, Module)
68	65174	1/4 x 1-1/2 Machine Key	103	95796-1	Pulley, 4-1/2 x 3/4 Bore			
69	65609	5/8-11 x 6 Take-Up Bolt SS	104	95745	Pulley, 4-1/2 x 1 Bore			
70	91435	5/8-11 Hex Nut	105	65776	Pillow Block Bearing 3/4 Bore			

ns = not shown

SS = Stainless Steel

\* Used in chute assemblies without idler pulley (spreaders with serial numbers beginning 090527 to 120430). See parts list no. 94190.