

PRO PLUS™

2003 - EARLIER


WESTERN®

SELECTION LIST

----- REVISION 0 -----

Form #64138-050103

WESTERN PRODUCTS • P.O. BOX 245038 • MILWAUKEE, WISCONSIN 53224-9538

 A Division of Douglas Dynamics, L.L.C.

Printed in the U.S.A.

The following are registered and/or unregistered trademarks of Douglas Dynamics, L.L.C.: WESTERN®, PRO PLUS™, UltraMount®, FloStat®.

Western Products reserves the right under its product improvement policy to change construction or design details and furnish equipment when so altered without reference to illustrations or specifications used herein. Western Products and the vehicle manufacturer may require and/or recommend optional equipment for snow removal.

CONTENTS



ABOUT THE SELECTION LIST	iii
VEHICLE LAMP IDENTIFICATION GUIDE	iv
DEFINITIONS	v
HOW TO USE THE SELECTION LIST	vi
INSTRUCTIONS FOR VEHICLES WITH DIFFERENT FGAWR's	vii
1 CHEVY / GMC	1
2 DODGE	8
3 FORD (SPRING CHART).....	18
FORD	19
WEIGHT AND DIMENSIONAL CHART	44
DIMENSIONAL DIAGRAM	45
UltraMount® to UniMount® Conversion Kit.....	46
BALLAST INQUIRY SHEET	47

PRO PLUS™ SELECTION LIST

Western Products' published vehicle recommendations are based on the following:

- Compliance with the vehicle manufacturer's stated gross vehicle and axle weight ratings (found on the driver side door jamb of the vehicle) and front and rear weight distribution ratio with the snowplow installed and raised in travel position. In some cases, rear ballast may be required to achieve these requirements.
- Available capacity for the snowplow equipment is based on a representative vehicle as configured by the original vehicle manufacturer. The representative vehicle includes spare wheel and tire, automatic transmission, rear bumper, air conditioning, and full fluids. Available capacity decreases as the vehicle is loaded with cargo or by the installation of other truck equipment or accessories. If there is uncertainty as to whether available capacity exists, the actual vehicle as configured must be weighed. For more information, see the weight and dimensional chart located at the end of the Selection List.
- Installation, modifications and addition of accessories must comply with published Western Products recommendations and instructions.
- Compliance with applicable FMVSS (Federal Motor Vehicle Safety Standards) must be met.
- In some cases, there may be additional limitations and requirements such as special vehicle options and specifications, or air bags/lift kits.

You will see more specific requirements listed as you use the Selection List to identify plow vehicles including: body style, engine size, ballast requirements, and minimum front gross axle weight ratings (FGAWR).

Discuss the following topics with each of your plowing customers and prospective plow purchasers.

BALLAST

Ballast is an important part of qualifying vehicles for plow eligibility. Rear ballast must be used when recommended to remain in compliance with axle ratings and ratios as specified by the vehicle manufacturer. If ballast is required, it is important that it be secured properly behind the rear axle. A ballast retainer kit is available from Western Products, part #62849.

PLOWING RECOMMENDATIONS

It is also important to remember that in all plowing applications, Western Products recommends only the driver in the vehicle.

Although plowing conditions can vary widely, as a general guideline Western Products recommends the maximum plowing speed of 10 mph and the maximum recommended transport speed of 45 mph.

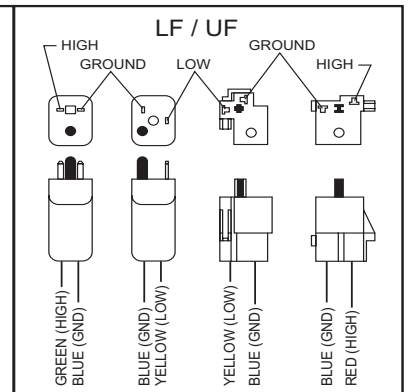
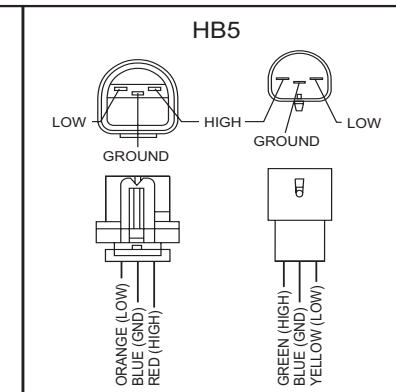
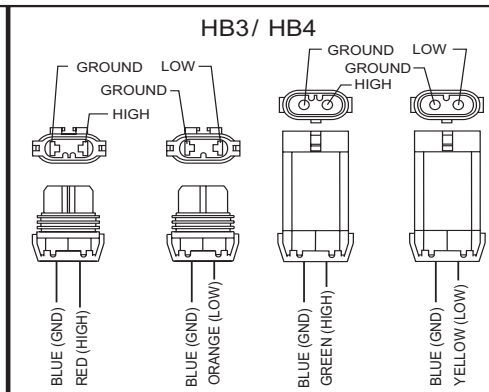
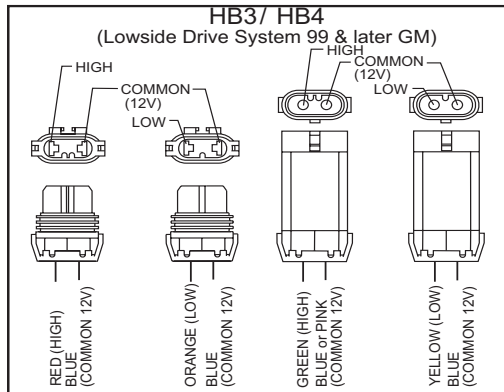
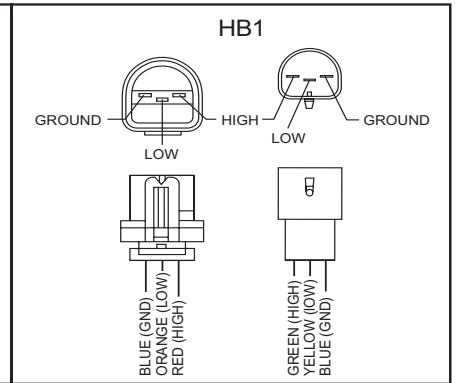
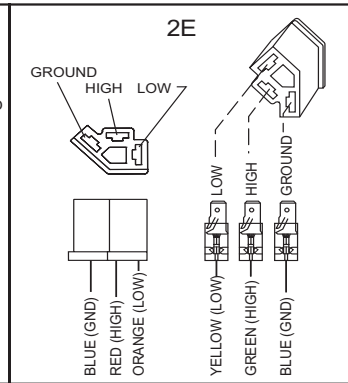
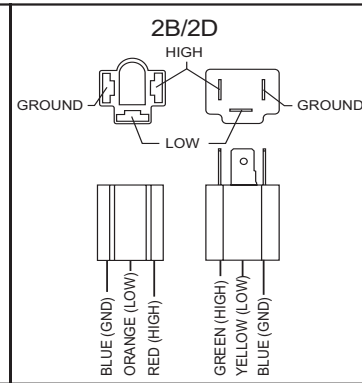
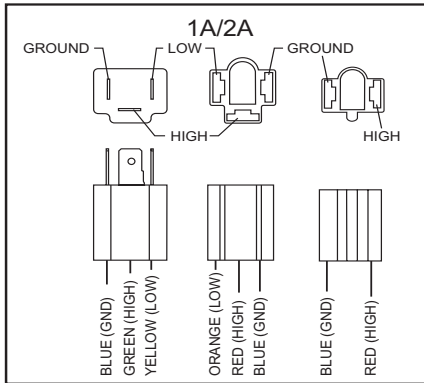
VEHICLE LAMP IDENTIFICATION GUIDE

NOTE: The lamp type is usually embossed in the headlamp lens.

NOTE: Blue ground wires may be LT or DK BLUE, w/ or w/o WHT stripe, depending on harness.

Headlamp Type	Bulb Type
LF	H4703
UF	H4701
1A1	H4651
2A1	H4652(Chevy/GMC)
2B1	H6054
2D1	H6024
2E1	H6545
HB1	9004
HB3	9005
HB4	9006
HB5	9007

LAMP TYPE	LAMP SIZE	CONFIGURATION	DESCRIPTION
1A / 2A	4" x 6.5"		Quad Rectangular Lamp
2B	5.5" x 7.88"		Dual Rectangular Lamp
2D	7" DIA.		Dual Round Lamp
2E	4" x 6.5"		Dual Rectangular (Small Halogen Lamp)
HB1	Can Vary		Dual Rectangular Halogen Lamp
HB3 / HB4	Can Vary		Quad Composite Halogen Lamp
HB5	Can Vary		Dual Rectangular Halogen Lamp
LF / UF	3.64" x 5.93"		Quad Rectangular Halogen Lamp



BLADE ABBREVIATIONS			
PLOW TYPE	BLADE SIZES AVAILABLE		
PP - PRO PLUS™ plow	8.0	-	8'
	8.5	-	8 1/2'
	9.0	-	9'

ASSEMBLIES	DEFINITION
BLADE ASSEMBLY	PRO PLUS™ blade
ATTACHMENT ASSEMBLY	PRO PLUS™ A-frame, quadrant & lift frame

ABBREVIATION	DESCRIPTION
2WD	Two wheel drive
4x4	Four wheel drive
A,Q&L	A-frame, quadrant & lift frame
B	Ballast required
DRL	Daytime running lights
DRW	Dual rear wheels
FGAWR	Front gross axle weight rating
GVWR	Gross vehicle weight rating
HYD	Hydraulic
L	Lift frame
MIN	Minimum
N	No
O	Plow option
UTPP	PRO PLUS™ plow
PKG	Package
REG	Regular
REQ	Required
SUSP	Suspension
W	With
W/O	Without
X-CAB	Extended cab vehicle
Y	Yes

HOW TO USE THE SNOWPLOW SELECTION LIST

Determining plow options:

- 1.) Locate vehicle by make, model, year and body style (columns 1 thru 3)
- 2.) Column 4 labeled "OTHER" will list other requirements or modifications if needed for plow compatibility.
- 3.) Verify that vehicle meets any engine and FGAWR (front gross axle weight rating) (columns 5 and 6).
FGAWR can be found on the driver side door jamb.
- 4.) Identify vehicle headlamp type and whether or not it is DRL (Daytime Running Lights) equipped (columns 7 and 8)
By answering the DRL question, you have now narrowed your choices down to one row.
- 5.) Reading across, you will first see the plow model number and type letter code (column 9) UTPP - PRO PLUS™ PLOW followed by the recommended plow options and ballast requirements available for that vehicle (columns 10 through 15).
- 6.) Once you have determined which plow option you want, use the letters in the appropriate box along with the plow model number (in this example 3529) and turn to the component list found at the end of each manufacturer's section to find the individual component numbers that make up that plow. You may order two ways:
A) By complete plow using the complete plow code. (example: ordering a 3529DA will fill the order for a 67981, 66980, 66900, 63999, 61540-1, 63392, and NO additional DRL kit)
B) By *individual component* using the corresponding part numbers. (example: ordering just the 66980, you are ordering the 8.0' PRO PLUS™ blade.)
C) Remember to choose which control to order.
- 7) Vehicle information that is highlighted in ██████ indicates a change since the last revision of selection list.
- 8) Vehicles with a ? in the ballast columns indicate that there is a mount available for that vehicle but one must weigh completed vehicle to determine plow size and ballast. See "Weight and Dimensional Chart" at end of selection list along with Body Builders Guides for necessary vehicle information.

Col. 1	Col. 2	Col. 3	Col. 4	Col. 5	Col. 6	Col. 7	Col. 8	Col. 9	Columns 10-15					
CHEVY/GMC														
FOUR WHEEL DRIVE Vehicle Options									Plow Options (O) and Ballast Required (B)					
MODEL/ CHASSIS	MODEL YEAR	BODY STYLE	OTHER	ENGINE(S)	MIN FGAWR	HEAD LAMP	DRL ?	PLOW MODEL	8.0'		8.5'		9.0'	
									O	B	O	B	O	B
NEW BODY STYLE SILVERADO/SIERRA K2500 HD Pick-up 4x4 (Bumper notching required)	2003	Reg Cab	8' Box, Z85 or Snowplow prep. package recommended	6.0L V8	4800	HB3/HB4	Y	3529 UTPP	DA	500	DB	500	DC	550
					4500	HB3/HB4	Y		DA	500	DB	500	DC	550
					4800	HB3/HB4	Y		DA	600	DB	600	DC	650
		X-Cab	6.5' Box, Z85 or Snowplow prep. package recommended	6.0L V8	4800	HB3/HB4	Y		DA	600	DB	600	DC	600
					4670	HB3/HB4	Y		DA	600	DB	600	DC	600
					4800	HB3/HB4	Y		DA	1000				
			8' Box, Z85 or Snowplow prep. package recommended	6.0L V8	4800	HB3/HB4	Y		DA	500	DB	500	DC	550
					4670	HB3/HB4	Y		DA	500	DB	500	DC	550

CHEVY/GMC										Remember:	
COMPLETE PLOW			COMPONENT NUMBERS								Control Choice
MODEL	OPTION	BLADE SIZE	MOUNT ASSEMBLY	BLADE ASSEMBLY	ATTACHMENT ASSEMBLY	HYDRAULIC ASSEMBLY	LAMP KIT	HARNESS KIT	DRL KIT		
3529 PRO PLUS™ Plow	DA	UTPP 8.0	67981	66980	66900	63999	61540-1	63392	---	Choose either: #56369 Joystick Or #56462 CabCommand	
	DB	UTPP 8.5	67981	66974	66900	63999	61540-1	63392	---		
	DC	UTPP 9.0	67981	66901	66900	63999	61540-1	63392	---		

Instructions for Vehicles with Different Front Gross Axle Weight Ratings (FGAWR)

1. Calculate the change in ballast required for alternate FGAWR's using the following formula:

$$\text{Additional Ballast} = (R1 - R2) \times L101 \div (L105 - 14)$$

Key:

R1 = FGAWR as found in the Selection List.

R2 = FGAWR as indicated on rating label found on the driver-side vehicle door cornerpost.

L101 = vehicle's wheelbase

L105 = distance from the rear axle to the tailgate's rear surface

2. When R2 is higher than R1, the ballast calculated above can be removed from the amount specified in the Selection List. When R1 is higher than R2, the ballast calculated above must be added to the amount specified in the Selection List.



Do not exceed GVWR or GAWR, including blade and ballast. The rating label is found on the driver-side vehicle door cornerpost

NOTE: When ballast is required, it should be secured behind the rear wheels in a manner which prevents it from sliding during normal driving. Western Products offers an optional ballast retainer kit (62849) for this purpose.

NOTE: New UNTITLED vehicle installation of a snow plow requires National Highway Traffic Safety Administration altered vehicle certification labeling. Installer to verify that selected snow plow and ballast, if required, do not exceed GVWR or GAWR rating label.

CHEVY/GMC

FOUR WHEEL DRIVE Vehicle Options

Plow Options (O) and Ballast Required (B)

MODEL/ CHASSIS	MODEL YEAR	BODY STYLE	OTHER	ENGINE(S)	MIN FGAWR	HEAD LAMP	DRL ?	PLOW MODEL	Plow Options (O) and Ballast Required (B)					
									8.0'		8.5'		9.0'	
									O	B	O	B	O	B
NEW BODY STYLE SILVERADO/SIERRA K2500 HD Pick-up 4x4 (Bumper notching required)	2003	Reg Cab	8' Box, Z85 or Snowplow prep. package recommended	6.0L V8	4800	HB3/HB4	Y	3529 UTPP	DA	500	DB	500	DC	550
					4500	HB3/HB4	Y		DA	500	DB	500	DC	550
				8.1L V8	4800	HB3/HB4	Y		DA	600	DB	600	DC	650
					6.0L V8	4800	HB3/HB4		Y	DA	600	DB	600	DC
				4670		HB3/HB4	Y		DA	1000				
					4670	HB3/HB4	Y		DA	500	DB	500	DC	550
		X-Cab	6.5' Box, Z85 or Snowplow prep. package recommended	6.0L V8		4800	HB3/HB4		Y	DA	450	DB	450	DC
					4670	HB3/HB4	Y		DA	450	DB	500	DC	650
				8.1L V8	4800	HB3/HB4	Y		DA	450	DB	450	DC	500
					4670	HB3/HB4	Y		DA	750	DB	850	DC	950
				6.0L V8	4800	HB3/HB4	Y		DA	550	DB	600	DC	600
					4500	HB3/HB4	Y		DA	550	DB	600	DC	600
	2002	Reg Cab	8' Box, Z85 or Snowplow prep. package recommended	6.0L V8	4800	HB3/HB4	Y	DA	650	DB	750	DC	800	
					4500	HB3/HB4	Y	DA	1000	DB		DC		
				8.1L V8	4800	HB3/HB4	Y	DA	600	DB	600	DC	650	
					4670	HB3/HB4	Y	DA	600	DB	600	DC	650	
				6.0L V8	4800	HB3/HB4	Y	DA	550	DB	550	DC	550	
					4670	HB3/HB4	Y	DA	550	DB	550	DC	550	
		X-Cab	6.5' Box, Z85 or Snowplow prep. package recommended	6.0L V8	4800	HB3/HB4	Y	DA	450	DB	500	DC	500	
					4670	HB3/HB4	Y	DA	450	DB	500	DC	500	
				6.0L V8	4800	HB3/HB4	Y	DA	550	DB	550	DC	550	
					4670	HB3/HB4	Y	DA	550	DB	550	DC	550	
				6.0L V8	4800	HB3/HB4	Y	DA	450	DB	500	DC	500	
					4800	HB3/HB4	Y	DA	450	DB	500	DC	500	
2001	Reg Cab	8' Box, Z85 or Snowplow prep. package recommended	6.0L V8	4800	HB3/HB4	Y	DA	550	DB	550	DC	550		
				4500	HB3/HB4	Y	DA	550	DB	550	DC	550		
			8.1L V8	4800	HB3/HB4	Y	DA	650	DB	650	DC	700		
				4800	HB3/HB4	Y	DA	900	DB	1000	DC			
			X-Cab	6.5' Box, Z85 or Snowplow prep. package recommended	6.0L V8	4800	HB3/HB4	Y	DA	600	DB	700	DC	800
						4670	HB3/HB4	Y	DA	550	DB	550	DC	550
6.0L V8	4800	HB3/HB4			Y	DA	550	DB	550	DC	550			
	4670	HB3/HB4			Y	DA	400	DB	550	DC	550			
Crew Cab	6.5' Box, Z85 or Snowplow prep. package recommended	6.0L V8	4800	HB3/HB4	Y	DA	550	DB	550	DC	550			
			4800	HB3/HB4	Y	DA	550	DB	550	DC	550			

**Reminder: The Joystick control is not included in the UltraMount® FloStat® hydraulics box.
Please choose between the Joystick Control #56369 or the CabCommand #56462**

CHEVY/GMC

FOUR WHEEL DRIVE Vehicle Options								Plow Options (O) and Ballast Required (B)							
NEW BODY STYLE SILVERADO/SIERRA K2500 Pick-up 4x4 (Bumper notching required)	2003	X-Cab	6.5' Box, Z85 or Snowplow prep. package recommended	6.0L V8	4500 4410	HB3/HB4	Y	3529 UTPP	DA	550	DB	650	DC	700	
	2002	X-Cab	6.5' Box, Z85 or Snowplow prep. package recommended	6.0L V8	4500	HB3/HB4	Y		DA	850	DB	950			
	2001	X-Cab	6.5' Box, F60 or Snowplow prep. package recommended	6.0L V8	4500	HB3/HB4	Y		DA	1000					
	2000	Reg Cab	8' Box, F60 or Snowplow prep. package recommended	6.0L V8	4500	HB3/HB4	Y		DA	600	DB	650	DC	800	
		X-Cab	6.5' Box, F60 or Snowplow prep. package recommended	6.0L V8	4500	HB3/HB4	Y		DA	650	DB	700	DC	700	
			8' Box, F60 or Snowplow prep. package recommended	6.0L V8	4500	HB3/HB4	Y		DA	900					
	1999	Reg Cab	8' Box, F60 or Snowplow prep. package recommended	6.0L V8	4500	HB3/HB4	Y		DA	800	DB	900	DC		
		X-Cab	8' Box, F60 or Snowplow prep. package recommended	6.0L V8	4500	HB3/HB4	Y		DA	650	DB	650	DC	650	
									DA	1000					
									DA						
									DA						
									DA						
"CLASSIC" STYLE K2500 Pick-up 4x4	2000	Reg Cab	8' Box, Z85 or Snowplow prep. package recommended	5.7L V8	4500	2B	Y	1589 UTPP	DA	450					
						HB3/HB4	Y		DB	450					
				7.4L V8	4500	2B	Y		DA	450					
						HB3/HB4	Y		DB	450					
				6.5L Diesel	4500	2B	Y		DA	450	DI	450	DQ	500	
						HB3/HB4	Y		DB	450	DJ	450	DR	500	
	X-Cab	6.5' Box, F60 or Snowplow prep. package recommended	5.7L V8	4500	2B	Y	DA		550	DI	550	DQ	600		
		8' Box, F60 or Snowplow prep. package recommended			HB3/HB4	Y	DB		550	DJ	550	DR	600		
				5.7L V8	4500	2B	Y		DA	600	DI	750	DQ	850	
							HB3/HB4		Y	DB	600	DJ	750	DR	850
	1999	X-Cab	6.5' Box, F60 or Snowplow prep. package recommended	5.7L V8	4500	2B	Y		DA	550	DI	600	DQ	600	
							HB3/HB4		Y	DB	550	DJ	600	DR	600
1998	X-Cab	6.5' Box, F60 or Snowplow prep. package recommended	5.7L V8	4500	2B	Y	DA	550	DI	600	DQ	600			
						HB3/HB4	Y	DB	550	DJ	600	DR	600		
NEW BODY STYLE SILVERADO/SIERRA K2500 Chassis Cab 4x4 (Bumper notching required)	2000-2002	All	Z85 / F60 or Snowplow package recommended	All	All	HB3/HB4	Y	3529 UTPP	DA	?	DB	?	DC	?	

**Reminder: The Joystick control is not included in the UltraMount® FloStat® hydraulics box.
Please choose between the Joystick Control #56369 or the CabCommand #56462**

CHEVY/GMC

FOUR WHEEL DRIVE Vehicle Options							Plow Options (O) and Ballast Required (B)							
"CLASSIC" STYLE K2500 Chassis Cab 4x4	2000	All	Min. 8,500 lb. GVWR	All	All	2B	Y	1589 UTPP	DA	?	DI	?	DQ	?
						HB3/HB4	Y		DB		DJ		DR	
	1999	All	Min. 8,500 lb. GVWR	All	All	2B	Y		DA	?	DI	?	DQ	?
						HB3/HB4	Y		DB	?	DJ	?	DR	?
	1998	All	Min. 8,500 lb. GVWR	All	All	2B	Y		DA	?	DI	?	DQ	?
						HB3/HB4	Y		DB	?	DJ	?	DR	?
	1996-1997	All	Min. 8,500 lb GVWR	All	All	2B	Y		DA	?	DI	?	DQ	?
						HB3/HB4	Y		DB	?	DJ	?	DR	?
	1990-1995	All	Min. 8,500 lb GVWR	All	All	2B	Y		DC	?	DK	?	DS	?
							N		DD	?	DL	?	DT	?
						HB3/HB4	Y		DE	?	DM	?	DU	?
							N		DF	?	DN	?	DV	?
						LF/UF	Y		DG	?	DO	?	DW	?
							N		DH	?	DP	?	DX	?
	NEW BODY STYLE SILVERADO/SIERRA K3500 Pick-up 4x4	2003	Reg Cab	8' Box, Z85 or Snowplow prep. package recommended Dual rear wheels	6.0L V8	4800	HB3/HB4		Y	3529 UTPP	DA	300	DB	300
4500						HB3/HB4	Y	DA	300		DB	350	DC	450
X-Cab			8' Box, Z85 or Snowplow prep. package recommended Dual rear wheels	6.0L V8	4800	HB3/HB4	Y	DA	550		DB	650	DC	750
					---	---	---	DA	250		DB	250	DC	250
Crew Cab			8' Box, Z85 or Snowplow prep. package recommended Dual rear wheels	6.0L V8	4800	HB3/HB4	Y	DA	1000					
					---	---	---	DA	350		DB	450	DC	550
2002		Reg Cab	8' Box, Z85 or Snowplow prep. package recommended Dual rear wheels	6.0L V8	4800	HB3/HB4	Y	DA	350		DB	350	DC	400
					4500	HB3/HB4	Y	DA	450		DB	550	DC	650
		X-Cab	8' Box, Z85 or Snowplow prep. package recommended Dual rear wheels	6.0L V8	4800	HB3/HB4	Y	DA	800		DB	900	DC	1000
					---	---	---	DA	250		DB	250	DC	250
		Crew Cab	8' Box, Z85 or Snowplow prep. package recommended Dual rear wheels	6.0L V8	4800	HB3/HB4	Y	DA	200		DB	200	DC	350
					---	---	---							
2001		Reg Cab	8' Box, Z85 or Snowplow prep. package recommended Dual rear wheels	6.0L V8	4800	HB3/HB4	Y	DA	300		DB	350	DC	350
					4670	HB3/HB4	Y	DA	300		DB	300	DC	350
		X-Cab	8' Box, Z85 or Snowplow prep. package recommended Dual rear wheels	6.0L V8	4800	HB3/HB4	Y	DA	700		DB	800	DC	900
					---	---	---	DA	250		DB	300	DC	300
		Crew Cab	8' Box, Z85 or Snowplow prep. package recommended Dual rear wheels	6.0L V8	4800	HB3/HB4	Y	DA	100		DB	100	DC	150
					---	---	---							

**Reminder: The Joystick control is not included in the UltraMount® FloStat® hydraulics box.
Please choose between the Joystick Control #56369 or the CabCommand #56462**

CHEVY/GMC

FOUR WHEEL DRIVE Vehicle Options

Plow Options (O) and Ballast Required (B)

"CLASSIC" STYLE K3500 Pick-up 4x4	2000	Reg Cab	8' Box, F60 or Snowplow prep. package recommended Single rear wheels	5.7L V8	4500	2B	Y	1589 UTPP	DA	400	DI	400	DQ	400
						HB3/HB4	Y		DB	400	DJ	400	DR	400
				7.4L V8	4500	2B	Y		DA	400	DI	400	DQ	400
						HB3/HB4	Y		DB	400	DJ	400	DR	400
				6.5L Diesel	4500	2B	Y		DA	400	DI	400	DQ	450
						HB3/HB4	Y		DB	400	DJ	400	DR	450
			8' Box, F60 or Snowplow prep. package recommended Dual rear wheels	5.7L V8	4500	2B	Y		DA	500	DI	600	DQ	700
				7.4L V8	4500	2B	Y		DB	500	DJ	600	DR	700
						HB3/HB4	Y		DA	1000				
						HB3/HB4	Y		DB	1000				
		X-Cab	8' Box, F60 or Snowplow prep. package recommended Dual rear wheels	5.7L V8	4500	2B	Y		DA	900	DI	1000		
						HB3/HB4	Y		DB	900	DJ	1000		

	1999	Reg Cab	8' Box, F60 or Snowplow prep. package recommended Single rear wheels	5.7L V8	4500	2B	Y		DA	500	DI	550	DQ	600
						HB3/HB4	Y		DB	500	DJ	550	DR	600

			8' Box, F60 or Snowplow prep. package recommended Dual rear wheels	5.7L V8	4500	2B	Y		DA	550	DI	650	DQ	750
						HB3/HB4	Y		DB	550	DJ	650	DR	750

		X-Cab	8' Box, F60 or Snowplow prep. package recommended Dual rear wheels	5.7L V8	4500	2B	Y		DA	750	DI	900	DQ	1000
						HB3/HB4	Y		DB	750	DJ	900	DR	1000

	1998	Reg Cab	8' Box, F60 or Snowplow prep. package recommended Single rear wheels	5.7L V8	4500	2B	Y		DA	500	DI	550	DQ	600
						HB3/HB4	Y		DB	500	DJ	550	DR	600

			8' Box, F60 or Snowplow prep. package recommended Dual rear wheels	5.7L V8	4500	2B	Y		DA	550	DI	650	DQ	750
						HB3/HB4	Y		DB	550	DJ	650	DR	750

		X-Cab	8' Box, F60 or Snowplow prep. package recommended Dual rear wheels	5.7L V8	4500	2B	Y		DA	750	DI	900	DQ	1000
						HB3/HB4	Y		DB	750	DJ	900	DR	1000

	1997	Reg Cab	8' Box, F60 or Snowplow prep. package recommended Single rear wheels	5.7L V8	4250	2B	Y		DA	600	DI	700	DQ	800
						HB3/HB4	Y		DB	600	DJ	700	DR	800

			8' Box, F60 or Snowplow prep. package recommended Dual rear wheels	5.7L V8	4250	2B	Y		DA	800	DI	900	DQ	1000
						HB3/HB4	Y		DB	800	DJ	900	DR	1000

	1996	Reg Cab	8' Box, F60 or Snowplow prep. package recommended Single rear wheels	5.7L V8	4250	2B	Y		DA	650	DI	750	DQ	850
						HB3/HB4	Y		DB	650	DJ	750	DR	850

			8' Box, F60 or Snowplow prep. package recommended Dual rear wheels	5.7L V8	4250	2B	Y		DA	850	DI	950		
						HB3/HB4	Y		DB	850	DJ	950		

**Reminder: The Joystick control is not included in the UltraMount® FloStat® hydraulics box.
Please choose between the Joystick Control #56369 or the CabCommand #56462**

CHEVY/GMC

FOUR WHEEL DRIVE Vehicle Options								Plow Options (O) and Ballast Required (B)							
"CLASSIC" STYLE K3500 Pick-up 4x4 (continued)	1988-1995	Reg Cab	8' Box, F60 or Snowplow prep. package recommended Single rear wheels	5.7L V8	4250	2B	Y	1589 UTPP	DC	700	DK	800	DS	900	
							N		DD	700	DL	800	DT	900	
						HB3/HB4	Y		DE	700	DM	800	DU	900	
							N		DF	700	DN	800	DV	900	
				Y	DG	700	DO		800	DW	900				
				N	DH	700	DP		800	DX	900				
			8' Box, F60 or Snowplow prep. package recommended Dual rear wheels	5.7L V8	4250	2B	Y		DC	600	DK	800	DS	900	
							N		DD	600	DL	800	DT	900	
	HB3/HB4	Y				DE	600	DM	800	DU	900				
		N				DF	600	DN	800	DV	900				
		Y	DG	600	DO	800	DW	900							
		N	DH	600	DP	800	DX	900							
	1973-1986	Reg Cab	Single rear wheels & F60 or Snowplow prep. package recommended	4.8L L6	4500	2B	N	1519 UTPP	DA	600	DC	600	DE	600	
							N		DB	600	DD	600	DF	600	
				5.7L V8	4500	2B	N		DA	600	DC	650	DE	650	
							N		DB	600	DD	650	DF	650	
7.4L V8				4500	2B	N	DA		700	DC	800	DE	900		
						N	DB		700	DD	800	DF	900		
Dual rear wheels & F60 or Snowplow prep. package recommended			4.8L L6	4500	2B	N	DA		500	DC	500	DE	550		
						N	DB		500	DD	500	DF	550		
			5.7L V8	4500	2B	N	DA		550	DC	550	DE	550		
						N	DB		550	DD	550	DF	550		
			7.4L V8	4500	2B	N	DA		750	DC	850	DE	950		
						N	DB		750	DD	850	DF	950		
1987-1991	Reg Cab	Single rear wheels & F60 or Snowplow prep. package recommended	5.7L V8	4500	2B	N	1519 UTPP	DA	800	DC	850	DE	950		
						N		DB	800	DD	850	DF	950		
						Y		DA	800	DC	850	DE	950		
		Dual rear wheels & F60 or Snowplow prep. package recommended	5.7L V8	4500	2B	N		DA	850	DC	950				
						N		DB	850	DD	950				
						Y		DA	850	DB	950				
2001	All	Min. 8,500 lb. GVWR Dual rear wheels	All	All	HB3/HB4	Y	3529 UTPP	DA	?	DB	?	DC	?		

"CLASSIC" STYLE K3500 Chassis Cab 4x4 Note: No Mount Available for 3500 HD.	2000	All	Min. 8,500 lb. GVWR Dual rear wheels	All	All	2B	Y	1589 UTPP	DA	?	DI	?	DQ	?	
							Y		DB	?	DJ	?	DR	?	
	1999	All	Min. 8,500 lb. GVWR Dual rear wheels	All	All	2B	Y		DA	?	DI	?	DQ	?	
							Y		DB	?	DJ	?	DR	?	
	1998	All	Min. 8,500 lb. GVWR Dual rear wheels	All	All	2B	Y		DA	?	DI	?	DQ	?	
							Y		DB	?	DJ	?	DR	?	
	1996-1997	All	Min. 8,500 lb. GVWR Dual rear wheels	All	All	2B	Y		DA	?	DI	?	DQ	?	
							Y		DB	?	DJ	?	DR	?	
	1990-1995	All	Min. 8,500 lb. GVWR Dual rear wheels	All	All	2B	Y		DC	?	DK	?	DS	?	
							N		DD	?	DL	?	DT	?	
							Y		DE	?	DM	?	DU	?	
							N		DF	?	DN	?	DV	?	
							Y		DG	?	DO	?	DW	?	
							N		DH	?	DP	?	DX	?	
1973-1989	All	Min. 8,500 lb GVWR Dual rear wheels	All	All	2B	N	1519 UTPP	DA	?	DC	?	DE	?		
						N		DB	?	DD	?	DF	?		

Reminder: The Joystick control is not included in the UltraMount® FloStat® hydraulics box.
Please choose between the Joystick Control #56369 or the CabCommand #56462

CHEVY/GMC TWO WHEEL DRIVE

TWO WHEEL DRIVE Vehicle Options								Plow Options (O) and Ballast Required (B)						
MODEL/ CHASSIS	MODEL YEAR	BODY STYLE	OTHER	ENGINE(S)	MIN FGAWR	HEAD LAMP	DRL ?	PLOW MODEL	8.0'		8.5'		9.0'	
									O	B	O	B	O	B
SILVERADO/SIERRA C3500 Pick-up 4x2	2003	X-Cab	8.0' Box Dual rear wheels F60 or Snowplow prep. package recommended Min. 10,000 lb. GVWR	6.0L V8	4670	HB3/HB4	Y	1589 UTPP	DA	150	DB	150	DC	150
					4800	HB3/HB4	Y		DA	150	DB	150	DC	150
				8.1L V8	4670	HB3/HB4	Y		DA	850	DB	950		
					4800	HB3/HB4	Y		DA	300	DB	400	DC	500
				6.6L Diesel	4800	HB3/HB4	Y							
		Crew Cab	6.0L V8	8.0' Box Dual rear wheels F60 or Snowplow prep. package recommended Min. 10,000 lb. GVWR	4670	HB3/HB4	Y		DA	100	DB	100	DC	100
					4800	HB3/HB4	Y		DA	100	DB	100	DC	100
			8.1L V8	8.0' Box Dual rear wheels F60 or Snowplow prep. package recommended Min. 10,000 lb. GVWR	4800	HB3/HB4	Y		DA	800	DB	900	DC	1000
	2002	X-Cab	8.0' Box Dual rear wheels F60 or Snowplow prep. package recommended Min. 10,000 lb. GVWR	6.0L V8	4670	HB3/HB4	Y	DA	150	DB	150	DC	150	
				8.1L V8	8.0' Box Dual rear wheels F60 or Snowplow prep. package recommended Min. 10,000 lb. GVWR	4670	HB3/HB4	Y	DA	850	DB	950		
				6.0L V8	8.0' Box Dual rear wheels F60 or Snowplow prep. package recommended Min. 10,000 lb. GVWR	4670	HB3/HB4	Y	DA	100	DB	100	DC	100
		Crew Cab	6.0L V8	8.0' Box Dual rear wheels F60 or Snowplow prep. package recommended Min. 10,000 lb. GVWR	4670	HB3/HB4	Y							
			8.1L V8	8.0' Box Dual rear wheels F60 or Snowplow prep. package recommended Min. 10,000 lb. GVWR	4670	HB3/HB4	Y	DA	150	DB	200	DC	200	
			6.0L V8	8.0' Box Dual rear wheels F60 or Snowplow prep. package recommended Min. 10,000 lb. GVWR	4670	HB3/HB4	Y	DA	100	DB	150	DC	150	
1999-2002	All	Min. 10,000 lb. GVWR Dual rear wheels	All	All	HB3/HB4	Y	3529 UTPP	DA	?	DB	?	DC	?	
1999-2002	All	Min. 10,000 lb. GVWR	All	All	HB3/HB4	Y	3529 UTPP	DA	?	DB	?	DC	?	

**Reminder: The Joystick control is not included in the UltraMount® FloStat® hydraulics box.
Please choose between the Joystick Control #56369 or the CabCommand #56462**

CHEVY/GMC

Remember:

COMPLETE PLOW			COMPONENT NUMBERS							Control Choice
MODEL	OPTION	BLADE SIZE	MOUNT ASSEMBLY	BLADE ASSEMBLY	ATTACHMENT ASSEMBLY	HYDRAULIC ASSEMBLY	LAMP KIT	HARNESS KIT	DRL KIT	
1519 PRO PLUS™ Plow	DA	UTPP 8.0	63710	66980	66900	63999	61540-1	61545	----	Choose either: #56369 Joystick Or #56462 CabCommand
	DB	UTPP 8.0	63710	66980	66900	63999	61540-1	61580	----	
	DC	UTPP 8.5	63710	66974	66900	63999	61540-1	61545	----	
	DD	UTPP 8.5	63710	66974	66900	63999	61540-1	61580	----	
	DE	UTPP 9.0	63710	66901	66900	63999	61540-1	61545	----	
	DF	UTPP 9.0	63710	66901	66900	63999	61540-1	61580	----	
1589 PRO PLUS™ Plow	DA	UTPP 8.0	67865	66980	66900	63999	61540-1	61545	61584	
	DB	UTPP 8.0	67865	66980	66900	63999	61540-1	61515	61584	
	DC	UTPP 8.0	67865	66980	66900	63999	61540-1	61555	61584	
	DD	UTPP 8.0	67865	66980	66900	63999	61540-1	61545	----	
	DE	UTPP 8.0	67865	66980	66900	63999	61540-1	61585	61584	
	DF	UTPP 8.0	67865	66980	66900	63999	61540-1	61515	----	
	DG	UTPP 8.0	67865	66980	66900	63999	61540-1	61560	61584	
	DH	UTPP 8.0	67865	66980	66900	63999	61540-1	61580	----	
	DI	UTPP 8.5	67865	66974	66900	63999	61540-1	61545	61584	
	DJ	UTPP 8.5	67865	66974	66900	63999	61540-1	61515	61584	
	DK	UTPP 8.5	67865	66974	66900	63999	61540-1	61555	61584	
	DL	UTPP 8.5	67865	66974	66900	63999	61540-1	61545	----	
	DM	UTPP 8.5	67865	66974	66900	63999	61540-1	61585	61584	
	DN	UTPP 8.5	67865	66974	66900	63999	61540-1	61515	----	
	DO	UTPP 8.5	67865	66974	66900	63999	61540-1	61560	61584	
	DP	UTPP 8.5	67865	66974	66900	63999	61540-1	61580	----	
	DQ	UTPP 9.0	67865	66901	66900	63999	61540-1	61545	61584	
	DR	UTPP 9.0	67865	66901	66900	63999	61540-1	61515	61584	
DS	UTPP 9.0	67865	66901	66900	63999	61540-1	61555	61584		
DT	UTPP 9.0	67865	66901	66900	63999	61540-1	61545	----		
DU	UTPP 9.0	67865	66901	66900	63999	61540-1	61585	61584		
DV	UTPP 9.0	67865	66901	66900	63999	61540-1	61515	----		
DW	UTPP 9.0	67865	66901	66900	63999	61540-1	61560	61584		
DX	UTPP 9.0	67865	66901	66900	63999	61540-1	61580	----		
3529 PRO PLUS™ Plow	DA	UTPP 8.0	67981	66980	66900	63999	61540-1	63392	---	
	DB	UTPP 8.5	67981	66974	66900	63999	61540-1	63392	---	
	DC	UTPP 9.0	67981	66901	66900	63999	61540-1	63392	---	

DODGE

FOUR WHEEL DRIVE Vehicle Options

Plow Options (O) and Ballast Required (B)

MODEL/ CHASSIS	MODEL YEAR	BODY STYLE	OTHER	ENGINE(S)	MIN FGAWR	HEAD LAMP	DRL ?	PLOW MODEL	Plow Options (O) and Ballast Required (B)					
									8.0'		8.5'		9.0'	
									O	B	O	B	O	B
RAM 2500 HD Pick-up 4x4 Bumper notching on SPORT required (Vehicles with cab lights also require kit # 61185)	2003	Reg Cab	8' Box	5.7L V8	5200	HB5	Y	989 UTPP	DC	450	DI	450	DO	500
							N		DD	450	DJ	450	DP	500
							Y		DC	600	DI	600	DO	650
				N	DD	600	DJ		600	DP	650			
				Y	DC	400	DI		450	DO	450			
				N	DD	400	DJ		450	DP	450			
		Y	DC	850	DI	950								
		N	DD	850	DJ	950								
		Y	DC	350	DI	400	DO		400					
		N	DD	350	DJ	400	DP		400					
		Y	DC	650	DI	750	DO		900					
		N	DD	650	DJ	750	DP		900					
	Y	DC	500	DI	500	DO	500							
	N	DD	500	DJ	500	DP	500							
	Y	DE	500	DK	500	DQ	500							
	N	DF	500	DL	500	DR	500							
	Y	DC	550	DI	550	DO	600							
	N	DD	550	DJ	550	DP	600							
	Y	DE	550	DK	550	DQ	600							
	N	DF	550	DL	550	DR	600							
	Y	DC	700	DI	700	DO	750							
	N	DD	700	DJ	700	DP	750							
	Y	DE	700	DK	700	DQ	750							
	N	DF	700	DL	700	DR	750							
Y	DC	400	DI	450	DO	450								
N	DD	400	DJ	450	DP	450								
Y	DE	400	DK	450	DQ	450								
N	DF	400	DL	450	DR	450								
Y	DC	450	DI	500	DO	500								
N	DD	450	DJ	500	DP	500								
Y	DE	450	DK	500	DQ	500								
N	DF	450	DL	500	DR	500								
Y	DC	450	DI	500	DO	500								
N	DD	450	DJ	500	DP	500								
Y	DE	450	DK	500	DQ	550								
N	DF	450	DL	500	DR	550								
Y	DC	500	DI	500	DO	550								
N	DD	500	DJ	500	DP	550								
Y	DE	500	DK	500	DQ	550								
N	DF	500	DL	500	DR	550								
Y	DC	550	DI	600	DO	600								
N	DD	550	DJ	600	DP	600								
Y	DE	550	DK	600	DQ	600								
N	DF	550	DL	600	DR	600								

**Reminder: The Joystick control is not included in the UltraMount[®] FloStat[®] hydraulics box.
Please choose between the Joystick Control #56369 or the CabCommand #56462**

DODGE

FOUR WHEEL DRIVE Vehicle Options

Plow Options (O) and Ballast Required (B)

MODEL/ CHASSIS	MODEL YEAR	BODY STYLE	OTHER	ENGINE(S)	MIN FGAWR	HEAD LAMP	DRL ?	PLOW MODEL	Plow Options (O) and Ballast Required (B)					
									8.0'		8.5'		9.0'	
									O	B	O	B	O	B
RAM 2500 HD Pick-up 4x4 Bumper notching on SPORT required (Vehicles with cab lights also require kit # 61185) (Continued)	2001 (cont.)	Reg Cab (cont.)	8' Box (continued)	8.0L V10	5200	HB1	Y	989 UTPP	DC	650	DI	650	DO	650
						N	DD		650	DJ	650	DP	650	
						HB5/HB1	Y		DE	650	DK	650	DQ	650
						N	DF		650	DL	650	DR	650	
						HB1	Y		DC	800	DI	800	DO	800
						N	DD		800	DJ	800	DP	800	
				HB5/HB1	Y	DE	800		DK	800	DQ	800		
				N	DF	800	DL		800	DR	800			
				HB1	Y	DC	450		DI	500	DO	500		
				N	DD	450	DJ		500	DP	500			
				HB5/HB1	Y	DE	450		DK	500	DQ	500		
				N	DF	450	DL		500	DR	500			
		HB1	Y	DC	550	DI	550		DO	600				
		N	DD	550	DJ	550	DP		600					
		HB5/HB1	Y	DE	550	DK	550		DQ	600				
		N	DF	550	DL	550	DR		600					
		HB1	Y	DC	750	DI	900		DO	1000				
		N	DD	750	DJ	900	DP		1000					
		HB5/HB1	Y	DE	750	DK	900		DQ	1000				
		N	DF	750	DL	900	DR		1000					
		HB1	Y	DC	500	DI	550		DO	550				
		N	DD	500	DJ	550	DP		550					
		HB5/HB1	Y	DE	500	DK	550		DQ	550				
		N	DF	500	DL	550	DR		550					
	HB1	Y	DC	600	DI	600	DO		600					
	N	DD	600	DJ	600	DP	600							
	HB5/HB1	Y	DE	600	DK	600	DQ		600					
	N	DF	600	DL	600	DR	600							
	HB1	Y	DC	550	DI	600	DO		600					
	N	DD	550	DJ	600	DP	600							
	HB5/HB1	Y	DE	550	DK	600	DQ		600					
	N	DF	550	DL	600	DR	600							
	HB1	Y	DC	650	DI	650	DO		650					
	N	DD	650	DJ	650	DP	650							
	HB5/HB1	Y	DE	650	DK	650	DQ		650					
	N	DF	650	DL	650	DR	650							
	HB1	Y	DC	800	DI	800	DO		800					
	N	DD	800	DJ	800	DP	800							
	HB5/HB1	Y	DE	800	DK	800	DQ		800					
	N	DF	800	DL	800	DR	800							
	HB1	Y	DC	450	DI	500	DO		500					
	N	DD	450	DJ	500	DP	500							
	HB5/HB1	Y	DE	450	DK	500	DQ		500					
	N	DF	450	DL	500	DR	500							

**Reminder: The Joystick control is not included in the UltraMount® FloStat® hydraulics box.
Please choose between the Joystick Control #56369 or the CabCommand #56462**

DODGE

FOUR WHEEL DRIVE Vehicle Options								Plow Options (O) and Ballast Required (B)						
MODEL/ CHASSIS	MODEL YEAR	BODY STYLE	OTHER	ENGINE(S)	MIN FGAWR	HEAD LAMP	DRL ?	PLOW MODEL	8.0'		8.5'		9.0'	
									O	B	O	B	O	B
RAM 2500 HD Pick-up 4x4 Bumper notching on SPORT required (Vehicles with cab lights also require kit # 61185) (Continued)	2000 (cont.)	Quad Cab (cont.)	6.5' Box Snowplow prep. package recommended (continued)	8.0L V10	5200	HB1	Y	989 UTPP	DC	550	DI	550	DO	550
						HB5/HB1	Y		DD	550	DJ	550	DP	550
							N		DE	550	DK	550	DQ	550
					N	DF	550		DL	550	DR	550		
					Y	DC	750		DI	900	DO	1000		
					N	DD	750		DJ	900	DP	1000		
				Y	DE	750	DK		900	DQ	1000			
				N	DF	750	DL		900	DR	1000			
				Y	DC	500	DI		550	DO	550			
				N	DD	500	DJ		550	DP	550			
				Y	DE	500	DK		550	DQ	550			
				N	DF	500	DL		550	DR	550			
		Y	DC	600	DI	600	DO	600						
		N	DD	600	DJ	600	DP	600						
		Y	DE	600	DK	600	DQ	600						
		N	DF	600	DL	600	DR	600						
		Y	DC	500	DI	500	DO	500						
		N	DD	500	DJ	500	DP	500						
		Y	DE	500	DK	500	DQ	500						
		N	DF	500	DL	500	DR	500						
		Y	DC	600	DI	600	DO	600						
		N	DD	600	DJ	600	DP	600						
		Y	DE	600	DK	600	DQ	600						
		N	DF	600	DL	600	DR	600						
	Y	DC	500	DI	500	DO	500							
	N	DD	500	DJ	500	DP	500							
	Y	DE	500	DK	500	DQ	500							
	N	DF	500	DL	500	DR	500							
	Y	DC	500	DI	550	DO	550							
	N	DD	500	DJ	550	DP	550							
	Y	DE	500	DK	550	DQ	550							
	N	DF	500	DL	550	DR	550							
	Y	DC	700	DI	700	DO	800							
	N	DD	700	DJ	700	DP	800							
	Y	DE	700	DK	700	DQ	800							
	N	DF	700	DL	700	DR	800							
	Y	DC	500	DI	500	DO	500							
	N	DD	500	DJ	500	DP	500							
	Y	DE	500	DK	500	DQ	500							
	N	DF	500	DL	500	DR	500							
	Y	DC	500	DI	500	DO	650							
	N	DD	500	DJ	500	DP	650							
	Y	DE	500	DK	500	DQ	650							
	N	DF	500	DL	500	DR	650							

**Reminder: The Joystick control is not included in the UltraMount® FloStat® hydraulics box.
Please choose between the Joystick Control #56369 or the CabCommand #56462**

DODGE

FOUR WHEEL DRIVE Vehicle Options

Plow Options (O) and Ballast Required (B)

MODEL/ CHASSIS	MODEL YEAR	BODY STYLE	OTHER	ENGINE(S)	MIN FGAWR	HEAD LAMP	DRL ?	PLOW MODEL	Plow Options (O) and Ballast Required (B)					
									8.0'		8.5'		9.0'	
									O	B	O	B	O	B
RAM 2500 HD Pick-up 4x4 Bumper notching on SPORT required (Vehicles with cab lights also require kit # 61185) (continued)	1999 (cont.)	Quad Cab	6.5' Box Snowplow prep. package recommended	5.9L V8	4850	HB1	Y	989 UTPP	DC	500	DI	550	DO	550
							N		DD	500	DJ	550	DP	550
							Y		DE	500	DK	550	DQ	550
					N	DF	500		DL	550	DR	550		
					Y	DC	650		DI	750	DO	850		
					N	DD	650		DJ	750	DP	850		
				Y	DE	650	DK		750	DQ	850			
				N	DF	650	DL		750	DR	850			
				Y	DC	450	DI		500	DO	500			
				N	DD	450	DJ		500	DP	500			
				Y	DE	450	DK		500	DQ	500			
				N	DF	450	DL		500	DR	500			
		Y	DC	500	DI	600	DO	700						
		N	DD	500	DJ	600	DP	700						
		Y	DE	500	DK	600	DQ	700						
		N	DF	500	DL	600	DR	700						
		Y	DA	500	DG	500	DM	500						
		N	DB	500	DH	500	DN	500						
		Y	DA	600	DG	600	DM	600						
		N	DB	600	DH	600	DN	600						
		Y	DA	500	DG	550	DM	550						
		N	DB	500	DH	550	DN	550						
		Y	DA	700	DG	700	DM	800						
		N	DB	700	DH	700	DN	800						
		Y	DA	500	DG	500	DM	500						
		N	DB	500	DH	500	DN	500						
		Y	DA	500	DG	500	DM	600						
		N	DB	500	DH	500	DN	600						
		Y	DA	500	DG	500	DM	550						
		N	DB	500	DH	500	DN	550						
		Y	DA	650	DG	750	DM	850						
		N	DB	650	DH	750	DN	850						
		Y	DA	450	DG	500	DM	500						
		N	DB	450	DH	500	DN	500						
		Y	DA	500	DG	600	DM	700						
		N	DB	500	DH	600	DN	700						
	Y	DA	650	DG	650	DM	650							
	N	DB	650	DH	650	DN	650							
	Y	DA	650	DG	650	DM	700							
	N	DB	650	DH	650	DN	700							

**Reminder: The Joystick control is not included in the UltraMount® FloStat® hydraulics box.
Please choose between the Joystick Control #56369 or the CabCommand #56462**

DODGE

FOUR WHEEL DRIVE Vehicle Options								Plow Options (O) and Ballast Required (B)						
MODEL/ CHASSIS	MODEL YEAR	BODY STYLE	OTHER	ENGINE(S)	MIN FGAWR	HEAD LAMP	DRL ?	PLOW MODEL	8.0'		8.5'		9.0'	
									O	B	O	B	O	B
RAM 2500 HD Pick-up 4x4 Bumper notching on SPORT required (Vehicles with cab lights also require kit # 61185) (Continued)	1997 (cont.)	X-Cab	6.5' Box Snowplow prep. package recommended	5.9L V8	4850	HB1	Y	989 UTPP	DA	500	DG	550	DM	550
							N		DB	500	DH	550	DN	550
			8' Box Snowplow prep. package recommended	5.9L V8	4850	HB1	Y		DA	600	DG	600	DM	600
							N		DB	600	DH	600	DN	600
			8.0L V10	4850	HB1	Y	DA		450	DG	550	DM	650	
						N	DB		450	DH	550	DN	650	
	1994-1996	Reg Cab	8' Box Snowplow prep. package recommended	5.9L V8	4850	HB1	Y		DA	650	DG	650	DM	700
							N		DB	650	DH	650	DN	700
				8.0L V10	4850	HB1	Y		DA	700	DG	700	DM	750
							N		DB	700	DH	700	DN	750
		X-Cab	6.5' Box Snowplow prep. package recommended	5.9L V8	4850	HB1	Y		DA	600	DG	600	DM	600
							N		DB	600	DH	600	DN	600
			8' Box Snowplow prep. package recommended	5.9L V8	4850	HB1	Y	DA	650	DG	650	DM	700	
							N	DB	650	DH	650	DN	700	
8.0L V10	4850	HB1	Y	DA	750	DG	850	DM	950					
			N	DB	750	DH	850	DN	950					
RAM 2500 Chassis Cab 4x4 (Vehicles with cab lights also require kit # 61185)	2003	All	Min. 8500 GVWR	All	All	HB5	Y	DC	?	DI	?	DO	?	
							N	DD	?	DJ	?	DP	?	
							---	DE	?	DK	?	DQ	?	
							---	DF	?	DL	?	DR	?	
	2002	All	Min. 8500 GVWR Dual rear wheels	All	All	HB1	Y	DC	?	DI	?	DO	?	
							N	DD	?	DJ	?	DP	?	
							HB5/HB1	Y	DE	?	DK	?	DQ	?
								N	DF	?	DL	?	DR	?
	2001	All	Min. 8500 GVWR Dual rear wheels	All	All	HB1	Y	DC	?	DI	?	DO	?	
							N	DD	?	DJ	?	DP	?	
							HB5/HB1	Y	DE	?	DK	?	DQ	?
								N	DF	?	DL	?	DR	?
	2000	All	Min. 8500 GVWR Dual rear wheels	All	All	HB1	Y	DC	?	DI	?	DO	?	
							N	DD	?	DJ	?	DP	?	
							HB5/HB1	Y	DE	?	DK	?	DQ	?
								N	DF	?	DL	?	DR	?
	1999	All	Min. 8,500 GVWR Dual rear wheels	All	All	HB1	Y	DA	?	DG	?	DM	?	
							N	DB	?	DH	?	DN	?	
	1998	All	Min. 8,500 GVWR Dual rear wheels	All	All	HB1	Y	DA	?	DG	?	DM	?	
							N	DB	?	DH	?	DN	?	
	1994-1997	All	Min. 8,500 GVWR Dual rear wheels	All	All	HB1	Y	DA	?	DG	?	DM	?	
							N	DB	?	DH	?	DN	?	

**Reminder: The Joystick control is not included in the UltraMount® FloStat® hydraulics box.
Please choose between the Joystick Control #56369 or the CabCommand #56462**

DODGE

FOUR WHEEL DRIVE Vehicle Options

Plow Options (O) and Ballast Required (B)

MODEL/ CHASSIS	MODEL YEAR	BODY STYLE	OTHER	ENGINE(S)	MIN FGAWR	HEAD LAMP	DRL ?	PLOW MODEL	Plow Options (O) and Ballast Required (B)							
									8.0'		8.5'		9.0'			
									O	B	O	B	O	B		
RAM 3500 Pick-up 4x4 Bumper notching on SPORT required (Vehicles with cab lights also require kit # 61185)	2003	Reg Cab	8' Box Dual rear wheels	5.9L V8	5200	HB5	Y	989 UTPP			DI	200	DO	250		
							N				DJ	200	DP	250		
				Y			DI		650	DO	750					
		N			DJ	650	DP		750							
		Quad Cab	8' Box Dual rear wheels	5.7L V8	5200	HB5	Y				DI	150	DO	200		
							N				DJ	150	DP	200		
	2002	Reg Cab	8' Box Snowplow prep. package recommended Dual rear wheels	5.9L Diesel	5200	HB1	Y		DC	550	DI	600	DO	700		
							N		DD	550	DJ	600	DP	700		
				8.0L V10	5200	HB5/HB1	Y		DE	400	DK	400	DQ	400		
							N		DF	400	DL	400	DR	400		
				Quad Cab	8' Box Snowplow prep. package recommended Dual rear wheels	5.9L V8	5200		HB1	Y	DC	350	DI	350	DO	400
										N	DD	350	DJ	350	DP	400
		HB5/HB1	Y			DE	350		DK	350	DQ	400				
			N			DF	350		DL	350	DR	400				
		8.0L V10	5200			HB1	Y		DC	350	DI	350	DO	350		
							N		DD	350	DJ	350	DP	350		
		HB5/HB1	Y	DE	350	DK	350		DQ	350						
			N	DF	350	DL	350		DR	350						
	2001	Reg Cab	8' Box Snowplow prep. package recommended Dual rear wheels	5.9L V8	4850	HB1	Y		DC	0	DI	0	DO	50		
							N		DD	0	DJ	0	DP	50		
				HB5/HB1	Y	DE	0		DK	0	DQ	50				
					N	DF	0		DL	0	DR	50				
				8.0L V10	4850	HB1	Y		DC	600	DI	700	DO	800		
							N		DD	600	DJ	700	DP	800		
		HB5/HB1	Y	DE	600	DK	700		DQ	800						
			N	DF	600	DL	700		DR	800						
		Quad Cab	8' Box Snowplow prep. package recommended Dual rear wheels	5.9L V8	5200	HB1	Y		DC	350	DI	350	DO	350		
							N		DD	350	DJ	350	DP	350		
				HB5/HB1	Y	DE	350		DK	350	DQ	350				
					N	DF	350		DL	350	DR	350				
	8.0L V10			5200	HB1	Y	DC		400	DI	400	DO	450			
						N	DD		400	DJ	400	DP	450			
	HB5/HB1	Y	DE	400	DK	400	DQ		450							
		N	DF	400	DL	400	DR		450							
	2000	Reg Cab	8' Box Snowplow prep. package recommended Dual rear wheels	5.9L V8	4850	HB1	Y		DC	0	DI	0	DO	50		
							N		DD	0	DJ	0	DP	50		
				HB5/HB1	Y	DE	0		DK	0	DQ	50				
					N	DF	0		DL	0	DR	50				
				8.0L V10	4850	HB1	Y		DC	600	DI	700	DO	800		
							N		DD	600	DJ	700	DP	800		
		HB5/HB1	Y	DE	600	DK	700		DQ	800						
			N	DF	600	DL	700		DR	800						
		Quad Cab	8' Box Snowplow prep. package recommended Dual rear wheels	5.9L V8	5200	HB1	Y		DC	350	DI	350	DO	350		
							N		DD	350	DJ	350	DP	350		
				HB5/HB1	Y	DE	350		DK	350	DQ	350				
					N	DF	350		DL	350	DR	350				
	8.0L V10			5200	HB1	Y	DC		400	DI	400	DO	400			
						N	DD		400	DJ	400	DP	400			
HB5/HB1	Y	DE	400	DK	400	DQ	400									
	N	DF	400	DL	400	DR	400									

Reminder: The Joystick control is not included in the UltraMount™ FloStat™ hydraulics box.
 Please choose between the Joystick Control #56369 or the CabCommand #56462

DODGE

FOUR WHEEL DRIVE Vehicle Options

Plow Options (O) and Ballast Required (B)

MODEL/ CHASSIS	MODEL YEAR	BODY STYLE	OTHER	ENGINE(S)	MIN FGAWR	HEAD LAMP	DRL ?	PLOW MODEL	Plow Options (O) and Ballast Required (B)					
									8.0'		8.5'		9.0'	
									O	B	O	B	O	B
RAM 3500 Pick-up 4x4 Bumper notching on SPORT required (Vehicles with cab lights also require kit # 61185) (continued)	1999	Reg Cab	8' Box Snowplow prep. package recommended Dual rear wheels	5.9L V8	4850	HB1	Y	989 UTPP	DC	400	DI	450	DO	450
							N		DD	400	DJ	450	DP	450
							Y		DE	400	DK	450	DQ	450
		N	DF	400	DL	450	DR		450					
		Y	DC	300	DI	300	DO		300					
		N	DD	300	DJ	300	DP		300					
	Y	DE	300	DK	300	DQ	300							
	N	DF	300	DL	300	DR	300							
	Y	DA	400	DG	450	DM	450							
	N	DB	400	DH	450	DN	450							
	Y	DA	550	DG	550	DM	600							
	N	DB	550	DH	550	DN	600							
	Y	DA	300	DG	300	DM	300							
	N	DB	300	DH	300	DN	300							

	Y	DA	400	DG	450	DM	450							
	N	DB	400	DH	450	DN	450							
	Y	DA	550	DG	600	DM	700							
	N	DB	550	DH	600	DN	700							
	Y	DA	350	DG	350	DM	450							
	N	DB	350	DH	350	DN	450							

Y	DA	500	DG	500	DM	550								
N	DB	500	DH	500	DN	550								
Y	DA	600	DG	650	DM	650								
N	DB	600	DH	650	DN	650								
Y	DA	450	DG	450	DM	500								
N	DB	450	DH	450	DN	500								
Y	DA	1000												
N	DB	1000												
Y	DC	?	DI	?	DO	?								
N	DD	?	DJ	?	DP	?								
Y	DE	?	DK	?	DQ	?								
N	DF	?	DL	?	DR	?								
Y	DC	?	DI	?	DO	?								
N	DD	?	DJ	?	DP	?								
Y	DE	?	DK	?	DQ	?								
N	DF	?	DL	?	DR	?								
Y	DC	?	DI	?	DO	?								
N	DD	?	DJ	?	DP	?								
Y	DE	?	DK	?	DQ	?								
N	DF	?	DL	?	DR	?								
Y	DA	?	DG	?	DM	?								
N	DB	?	DH	?	DN	?								
Y	DA	?	DG	?	DM	?								
N	DB	?	DH	?	DN	?								
Y	DA	?	DG	?	DM	?								
N	DB	?	DH	?	DN	?								

**Reminder: The Joystick control is not included in the UltraMount® FloStat® hydraulics box.
Please choose between the Joystick Control #56369 or the CabCommand #56462**

DODGE TWO WHEEL DRIVE

TWO WHEEL DRIVE Vehicle Options

Plow Options (O) and Ballast Required (B)

MODEL/ CHASSIS	MODEL YEAR	BODY STYLE	OTHER	ENGINE(S)	MIN FGAWR	HEAD LAMP	DRL ?	PLOW MODEL	Plow Options (O) and Ballast Required (B)						
									8.0'		8.5'		9.0'		
								O	B	O	B	O	B		
RAM 3500 Pick-up 2WD Bumper notching on SPORT required (Vehicles with cab lights also require kit # 61185)	2003	All	Min. 10,000 GVWR Single rear wheels	All	All	HB5	Y	989 UTPP	DC	?	DI	?	DO	?	
							N		DD	?	DJ	?	DP	?	
			Y	DC	?	DI	?		DO	?					
			N	DD	?	DJ	?		DP	?					
	2002	Reg Cab	8' Box Dual rear wheels Coupling point requires 2 in. lift in front Min. 10,000 GVWR	5.9L V8	4500	HB1	Y	DC	250	DI	300	DO	300		
							N	DD	250	DJ	300	DP	300		
						Y	DE	250	DK	300	DQ	300			
						N	DF	250	DL	300	DR	300			
				8.0L V10	HB1	Y	DC	750	DI	850	DO	950			
						N	DD	750	DJ	850	DP	950			
					Y	DE	750	DK	850	DQ	950				
					N	DF	750	DL	850	DR	950				
		Quad Cab	5.9L V8	4500	HB1	Y	DC	200	DI	250	DO	350			
						N	DD	200	DJ	250	DP	350			
					Y	DE	200	DK	250	DQ	350				
					N	DF	200	DL	250	DR	350				
			2001	Reg Cab	8' Box Dual rear wheels Coupling point requires 2 in. lift in front Min. 10,000 GVWR	5.9L V8	4500	HB1	Y	DC	250	DI	300	DO	300
									N	DD	250	DJ	300	DP	300
								Y	DE	250	DK	300	DQ	300	
								N	DF	250	DL	300	DR	300	
	8.0L V10	HB1		Y	DC	550	DI	650	DO	750					
				N	DD	550	DJ	650	DP	750					
		Y		DE	550	DK	650	DQ	750						
		N		DF	550	DL	650	DR	750						
	Quad Cab	5.9L V8	4500	HB1	Y	DC	250	DI	300	DO	300				
					N	DD	250	DJ	300	DP	300				
				Y	DE	250	DK	300	DQ	300					
				N	DF	250	DL	300	DR	300					
	2000	Reg Cab	8' Box Dual rear wheels Coupling point requires 2 in. lift in front Min. 10,000 GVWR	5.9L V8	4500	HB1	Y	DC	250	DI	300	DO	350		
							N	DD	250	DJ	300	DP	350		
						Y	DE	250	DK	300	DQ	350			
						N	DF	250	DL	300	DR	350			
				8.0L V10	HB1	Y	DC	550	DI	650	DO	750			
						N	DD	550	DJ	650	DP	750			
					Y	DE	550	DK	650	DQ	750				
					N	DF	550	DL	650	DR	750				
		Quad Cab	5.9L V8	4500	HB1	Y	DC	250	DI	300	DO	350			
						N	DD	250	DJ	300	DP	350			
					Y	DE	250	DK	300	DQ	350				
					N	DF	250	DL	300	DR	350				

**Reminder: The Joystick control is not included in the UltraMount® FloStat® hydraulics box.
Please choose between the Joystick Control #56369 or the CabCommand #56462**

DODGE TWO WHEEL DRIVE

TWO WHEEL DRIVE Vehicle Options							Plow Options (O) and Ballast Required (B)											
RAM 3500 Pick-up 2WD Bumper notching on SPORT required (Vehicles with cab lights also require kit # 61185) (continued)	1999	Reg Cab	8' Box Dual rear wheels Coupling point requires 2 in. lift in front Min. 10,000 GVWR	5.9L V8	4500	HB1	Y	989 UTPP	DC	300	DI	300	DO	350				
							N		DD	300	DJ	300	DP	350				
						HB5/HB1	Y		DE	300	DK	300	DQ	350				
					N	DF	300		DL	300	DR	350						
				8.0L V10	4500	HB1	Y		DC	200	DI	250	DO	250				
							N		DD	200	DJ	250	DP	250				
		HB5/HB1	Y			DE	200		DK	250	DQ	250						
		Quad Cab	8' Box Dual rear wheels Coupling point requires 2 in. lift in front	5.9L V8	4500				HB1	Y	DF	200	DL	250	DR	250		
										N	DC	150	DI	250	DO	350		
									HB5/HB1	Y	DD	150	DJ	250	DP	350		
										N	DE	150	DK	250	DQ	350		
									8.0L V10	4500	HB1	Y	DF	150	DL	250	DR	350
											N	DC	300	DI	300	DO	300	
	1998	Reg Cab	8' Box Dual rear wheels Coupling point requires 2 in. lift in front Min. 10,000 GVWR	5.9L V8	4500				HB1	Y	DD	300	DJ	300	DP	300		
										N	DC	300	DI	300	DO	300		
										---	DD	300	DJ	300	DP	300		

									8.0L V10	4500	HB1	Y	DC	200	DI	200	DO	250
												N	DD	200	DJ	200	DP	250
		Quad Cab	8' Box Dual rear wheels Coupling point requires 2 in. lift in front	5.9L V8	4500					HB1	Y	DC	150	DI	250	DO	350	
											N	DD	150	DJ	250	DP	350	

										8.0L V10	4500	HB1	Y	DC	300	DI	300	DO
								N				DD	300	DJ	300	DP	300	
1997	Reg Cab	8' Box Dual rear wheels Coupling point requires 2 in. lift in front Min. 10,000 GVWR	5.9L V8	4500				HB1	Y	DD	300	DJ	300	DP	300			
									N	DC	300	DI	300	DO	300			

								8.0L V10	4500	HB1	Y	DC	400	DI	500	DO	600	
											N	DD	400	DJ	500	DP	600	
	Quad Cab	8' Box Dual rear wheels Coupling point requires 2 in. lift in front Min. 10,000 GVWR	5.9L V8	4500					HB1	Y	DC	250	DI	300	DO	400		
										N	DD	250	DJ	300	DP	400		

									8.0L V10	4500	HB1	Y	DC	300	DI	300	DO	300
												N	DD	300	DJ	300	DP	300
1996	Reg Cab	8' Box Dual rear wheels Coupling point requires 2 in. lift in front Min. 10,000 GVWR	5.9L V8	4100				HB1	Y	DC	900	DI	1000					
									N	DD	900	DJ	1000					

1994-2002	All	Dual rear wheels Min. 10,000 GVWR	All	All				HB1	Y	DC	?	DI	?	DO	?			
									N	DD	?	DJ	?	DP	?			
								HB5/HB1	Y	DE	?	DK	?	DQ	?			
									N	DF	?	DL	?	DR	?			

**Reminder: The Joystick control is not included in the UltraMount® FloStat® hydraulics box.
Please choose between the Joystick Control #56369 or the CabCommand #56462**

DODGE

Remember:

<i>COMPLETE PLOW</i>			<i>COMPONENT NUMBERS</i>							Control Choice
MODEL	OPTION	BLADE SIZE	MOUNT ASSEMBLY	BLADE ASSEMBLY	ATTACHMENT ASSEMBLY	HYDRAULIC ASSEMBLY	LAMP KIT	HARNES KIT	DRL KIT	
989 PRO PLUS™ Plow	DA	UTPP 8.0	67980	66980	66900	63999	61540-1	62525	61584	Choose either: #56369 Joystick Or #56462 CabCommand
	DB	UTPP 8.0	67980	66980	66900	63999	61540-1	62525	-----	
	DC	UTPP 8.0	67980	66980	66900	63999	61550-1	63400	61584	
	DD	UTPP 8.0	67980	66980	66900	63999	61540-1	62917	-----	
	DE	UTPP 8.0	67980	66980	66900	63999	61550-1	63404	61584	
	DF	UTPP 8.0	67980	66980	66900	63999	61540-1	63396	-----	
	DG	UTPP 8.5	67980	66974	66900	63999	61540-1	62525	61584	
	DH	UTPP 8.5	67980	66974	66900	63999	61540-1	62525	-----	
	DI	UTPP 8.5	67980	66974	66900	63999	61550-1	63400	61584	
	DJ	UTPP 8.5	67980	66974	66900	63999	61540-1	62917	-----	
	DK	UTPP 8.5	67980	66974	66900	63999	61550-1	63404	61584	
	DL	UTPP 8.5	67980	66974	66900	63999	61540-1	63396	-----	
	DM	UTPP 9.0	67980	66901	66900	63999	61540-1	62525	61584	
	DN	UTPP 9.0	67980	66901	66900	63999	61540-1	62525	-----	
	DO	UTPP 9.0	67980	66901	66900	63999	61550-1	63400	61584	
	DP	UTPP 9.0	67980	66901	66900	63999	61540-1	62917	-----	
	DQ	UTPP 9.0	67980	66901	66900	63999	61550-1	63404	61584	
DR	UTPP 9.0	67980	66901	66900	63999	61540-1	63396	-----		

FORD F-SUPER DUTY FRONT SPRING CODES (LOCATED ON LOWER RIGHT HAND CORNER OF DOOR STICKER)

A verification of the actual spring rating is required on F-250/350/450/550 built to date. The drivers side door sticker FGAWR value may not be correct. To verify this compare the **FIRST LETTER** of the spring code located on the lower right hand side of the door sticker to the charts below to find the actual spring rating. Tires must be inflated to 65 psi for LT235 and 55 for LT265 to obtain proper tire capacity.

A vehicle certification label may have to be attached to the vehicles door post. Contact the National Truck-Equipment Association (N.T.E.A.) for information and certification labels. (800) 441-6832

Refer to service bulletin **SP716** for additional information.

SUPER DUTY F-SERIES / MODEL	CODE	FGAWR
F-250-350 2WD	B	3200
	C	3350
	D	3500
	E	3650
	F	3800
	G	3950
	H	4100
	I	4250
	J	4400
	K	4550
	L	4700

SUPER DUTY F-SERIES / MODEL	CODE	FGAWR
F-250-350 4x4	R	3600
	S	4000
	T	4400
	U	4800
	V	5200
	*W	5600
	*X	6000

* These options provide a
MAXIMUM FGAWR of 5200.

SUPER DUTY F-SERIES / MODEL	CODE	FGAWR
F-450-550	W	5600
	X	6000

FORD

FOUR WHEEL DRIVE Vehicle Options								Plow Options (O) and Ballast Required (B)						
MODEL/ CHASSIS	MODEL YEAR	BODY STYLE	OTHER	ENGINE(S)	MIN FGAWR	HEAD LAMP	DRL ?	PLOW MODEL	8.0'		8.5'		9.0'	
									O	B	O	B	O	B
F-250 LD Pick-up 4x4 (May require bumper notching)	1999	Reg Cab	Min. 7,700 GVWR Snowplow prep. package recommended	4.6L V8	4150	HB5	Y	1229 UTPP	DA	450	DC	500	DE	500
							N		DB	450	DD	500	DF	500
			---	DA	450	DC	500		DE	500				
			---	DB	450	DD	500		DF	500				
		X-Cab	Min. 7,700 GVWR Snowplow prep. package recommended	4.6L V8	4150	HB5	Y		DA	800	DC	950		
							N		DB	800	DD	950		

				Min. 7,200 GVWR Snowplow prep. package	4.6L V8	4150	HB5	Y	DA	400	DC	450	DE	550
								N	DB	400	DD	450	DF	551
					5.4L V8	4150	HB5	Y	DA	800				
								N	DB	800				
								Y	DA	550	DC	650	DE	750
								N	DB	550	DD	650	DF	750
							Y	DA	650	DD	700	DG	700	
							N	DB	650	DE	700	DH	700	
							Y	DC	650	DF	700	DI	700	
							Y	DA	700	DD	750	DG	750	
							N							
F-250 Super Duty Pick-up 4x4 (Vehicles with cab lights also require kit # 61185) (1999-2003 See note on Spring Code and tire pressure on pg. 18)	2003	Reg Cab	8' BOX Snowplow prep. package recommended	5.4L V8	4800	HB5	Y	3219 UTPP	DA	500	DE	500	DI	550
							N		DB	500	DF	500	DJ	550
							Y		DC	500	DG	500	DK	550
							N		DD	500	DH	500	DL	550
							Y		DA	500	DE	500	DI	550
							N		DB	500	DF	500	DJ	550
					Y	DC	500		DG	500	DK	550		
					N	DD	500		DH	500	DL	550		
					Y	DA	950							
					N	DB	950							
					Y	DC	950							
					N	DD	950							
				Y	DA	550	DE		550	DI	600			
				N	DB	550	DF		550	DJ	600			
				Y	DC	550	DG		550	DK	600			
				N	DD	550	DH		550	DL	600			
				Y	DA	850	DE		950					
				N	DB	850	DF		950					
				Y	DC	850	DG		950					
				N	DD	850	DH		950					

**Reminder: The Joystick control is not included in the UltraMount® FloStat® hydraulics box.
Please choose between the Joystick Control #56369 or the CabCommand #56462**

FORD

FOUR WHEEL DRIVE Vehicle Options								Plow Options (O) and Ballast Required (B)						
MODEL/ CHASSIS	MODEL YEAR	BODY STYLE	OTHER	ENGINE(S)	MIN FGAWR	HEAD LAMP	DRL ?	PLOW MODEL	8.0'		8.5'		9.0'	
									O	B	O	B	O	B
F-250 Super Duty Pick-up 4x4 (Vehicles with cab lights also require kit # 61185) (1999-2003 See note on Spring Code and tire pressure on pg. 18) (cont.)	2003 (cont.)	Reg Cab (cont.)	8' BOX Snowplow prep. package recommended (cont.)	6.0L Diesel	5200	HB5	Y	3219 UTPP	DA	1000				
							N		DB	1000				
						2B	Y		DC	1000				
							N		DD	1000				
							N		DA	450	DE	500	DI	600
							N		DB	450	DF	500	DJ	600
		SuperCab	7' BOX Snowplow prep. package recommended	5.4L V8	4800	HB5	Y		DC	450	DG	500	DK	600
							N		DD	450	DH	500	DL	600
						2B	Y		DA	450	DE	450	DI	450
							N		DB	450	DF	450	DJ	450
							N		DC	450	DG	450	DK	450
							N		DD	450	DH	500	DL	600
					5200	HB5	Y		DA	450	DE	450	DI	450
							N		DB	450	DF	450	DJ	450
						2B	Y		DC	450	DG	450	DK	450
							N		DD	450	DH	500	DL	600
							N		DA	950				
							N		DB	950				
				6.8L V10	4800	HB5	Y		DC	950				
							N		DD	950				
						2B	Y		DA	500	DE	500	DI	500
							N		DB	500	DF	500	DJ	500
							N		DC	500	DG	500	DK	500
							N		DD	500	DH	500	DL	500
					5200	HB5	Y		DA	450	DE	450	DI	500
							N		DB	450	DF	450	DJ	500
						2B	Y		DC	450	DG	450	DK	500
							N		DD	450	DH	450	DL	500
							N		DA	950				
							N		DB	950				
		6.8L V10	5200	HB5	Y	DC	950							
					N	DD	950							
				2B	Y	DA	550		DE	550	DI	550		
				N	DB	550	DF		550	DJ	550			
				N	DC	550	DG		550	DK	550			
				N	DD	550	DH		550	DL	550			
		Crew Cab	7' BOX Snowplow prep. package recommended	5.4L V8	5200	HB5	Y		DA	400	DE	450	DI	450
							N		DB	400	DF	450	DJ	450
						2B	Y		DC	400	DG	450	DK	450
							N		DD	400	DH	450	DL	450
							N		DA	450	DE	500	DI	500
							N		DB	450	DF	500	DJ	500
				6.8L V10	5200	HB5	Y		DC	450	DG	500	DK	500
							N		DD	450	DH	500	DL	500
						2B	Y		DA	450	DE	500	DI	500
						N	DB		450	DF	500	DJ	500	
						N	DC		450	DG	500	DK	500	
						N	DD		450	DH	500	DL	500	

**Reminder: The Joystick control is not included in the UltraMount® FloStat® hydraulics box.
Please choose between the Joystick Control #56369 or the CabCommand #56462**

FORD

FOUR WHEEL DRIVE Vehicle Options

Plow Options (O) and Ballast Required (B)

MODEL/ CHASSIS	MODEL YEAR	BODY STYLE	OTHER	ENGINE(S)	MIN FGAWR	HEAD LAMP	DRL ?	PLOW MODEL	Plow Options (O) and Ballast Required (B)					
									8.0'		8.5'		9.0'	
									O	B	O	B	O	B
F-250 Super Duty Pick-up 4x4 (Vehicles with cab lights also require kit # 61185) (1999-2003 See note on Spring Code and tire pressure on pg. 18) (cont.)	2003 (cont.)	Crew Cab (cont.)	8' BOX Snowplow prep. package recommended	5.4L V8	5200	HB5	Y	3219 UTPP	DA	450	DE	450	DI	450
							N		DB	450	DF	450	DJ	450
							N		DC	450	DG	450	DK	450
						N	DD		450	DH	450	DL	450	
						Y	DA		500	DE	500	DI	550	
						N	DB		500	DF	500	DJ	500	
				Y	DC	500	DG		500	DK	500			
				N	DD	500	DH		500	DL	500			
				Y	DA	500	DE		500	DI	550			
				N	DB	500	DF		500	DJ	550			
				Y	DC	500	DG		500	DK	550			
				N	DD	500	DH		500	DL	550			
	Y	DA	700	DE	800	DI	900							
	N	DB	700	DF	800	DJ	900							
	Y	DC	700	DG	800	DK	900							
	N	DD	700	DH	800	DL	900							
	Y	DA	900	DE	950									
	N	DB	900	DF	950									
	Y	DC	900	DG	950									
	N	DD	900	DH	950									
	Y	DA	500	DE	600	DI	700							
	N	DB	500	DF	600	DJ	700							
	Y	DC	500	DG	600	DK	700							
	N	DD	500	DH	600	DL	700							
	Y	DA	450	DE	450	DI	500							
	N	DB	450	DF	450	DJ	500							
	Y	DC	450	DG	450	DK	500							
	N	DD	450	DH	450	DL	500							
	Y	DA	950											
	N	DB	950											
	Y	DC	950											
	N	DD	950											
	Y	DA	500	DE	550	DI	550							
	N	DB	500	DF	550	DJ	550							
	Y	DC	500	DG	550	DK	550							
	N	DD	500	DH	550	DL	550							

**Reminder: The Joystick control is not included in the UltraMount® FloStat® hydraulics box.
Please choose between the Joystick Control #56369 or the CabCommand #56462**

FORD

FOUR WHEEL DRIVE Vehicle Options								Plow Options (O) and Ballast Required (B)						
MODEL/ CHASSIS	MODEL YEAR	BODY STYLE	OTHER	ENGINE(S)	MIN FGAWR	HEAD LAMP	DRL ?	PLOW MODEL	8.0'		8.5'		9.0'	
									O	B	O	B	O	B
F-250 Super Duty Pick-up 4x4 (Vehicles with cab lights also require kit # 61185) (1999-2003 See note on Spring Code and tire pressure on pg. 18) (cont.)	2002 (cont.)	Crew Cab	7' Styleside Snowplow prep. package recommended	5.4L V8	5200	HB5	Y	3219 UTPP	DA	400	DE	450	DI	450
							N		DB	400	DF	450	DJ	450
							N		DC	400	DG	450	DK	450
						Y	DD		400	DH	450	DL	450	
						N	DA		1000					
						N	DB		1000					
			Y	DC	1000									
			N	DD	1000									
			Y	DA	500	DE	500		DI	500				
			N	DB	500	DF	500		DJ	500				
			Y	DC	500	DG	500		DK	500				
			N	DD	500	DH	500		DL	500				
			Y	DA	450	DE	450		DI	450				
			N	DB	450	DF	450		DJ	450				
			Y	DC	450	DG	450		DK	450				
			N	DD	450	DH	450		DL	450				
			Y	DA	500	DE	500		DI	550				
			N	DB	500	DF	500		DJ	550				
	Y	DC	500	DG	500	DK	550							
	N	DD	500	DH	500	DL	550							
	Y	DA	550	DE	600	DI	600							
	N	DB	550	DF	600	DJ	600							
	Y	DC	550	DG	600	DK	600							
	N	DD	550	DH	600	DL	600							
	Y	DA	650	DE	650	DI	650							
	N	DB	650	DF	650	DJ	650							
	Y	DC	650	DG	650	DK	650							
	N	DD	650	DH	650	DL	650							
	Y	DA	800	DE	850	DI	950							
	N	DB	800	DF	850	DJ	950							
	Y	DC	800	DG	850	DK	950							
	N	DD	800	DH	850	DL	950							
	Y	DA	600	DE	600	DI	600							
	N	DB	600	DF	600	DJ	600							
	Y	DC	600	DG	600	DK	600							
	N	DD	600	DH	600	DL	600							
Y	DA	650	DE	750	DI	850								
N	DB	650	DF	750	DJ	850								
Y	DC	650	DG	750	DK	850								
N	DD	650	DH	750	DL	850								

**Reminder: The Joystick control is not included in the UltraMount® FloStat® hydraulics box.
Please choose between the Joystick Control #56369 or the CabCommand #56462**

FORD

FOUR WHEEL DRIVE Vehicle Options

Plow Options (O) and Ballast Required (B)

MODEL/ CHASSIS	MODEL YEAR	BODY STYLE	OTHER	ENGINE(S)	MIN FGAWR	HEAD LAMP	DRL ?	PLOW MODEL	Plow Options (O) and Ballast Required (B)					
									8.0'		8.5'		9.0'	
									O	B	O	B	O	B
F-250 Super Duty Pick-up 4x4 (Vehicles with cab lights also require kit # 61185) (1999-2003 See note on Spring Code and tire pressure on pg. 18) (cont.)	2001 (cont.)	SuperCab (cont.)	7' Styleside Snowplow prep. package recommended (cont.)	6.8L V10	5200	HB5	Y	3219 UTPP	DA	650	DE	650	DI	650
							N		DB	650	DF	650	DJ	650
							N		DC	650	DG	650	DK	650
			2B	Y	DD	650	DH		650	DL	650			
				N	DA	550	DE		550	DI	550			
				N	DB	550	DF		550	DJ	550			
			Y	DC	550	DG	550		DK	550				
			N	DD	550	DH	550		DL	550				
			Y	DA	600	DE	600		DI	650				
			N	DB	600	DF	600		DJ	650				
			Y	DC	600	DG	600		DK	650				
			N	DD	600	DH	600		DL	650				
			Y	DA	500	DE	500		DI	500				
			N	DB	500	DF	500		DJ	500				
			Y	DC	500	DG	500		DK	500				
			N	DD	500	DH	500		DL	500				
			Y	DA	850	DE	950							
			N	DB	850	DF	950							
		Y	DC	850	DG	950								
		N	DD	850	DH	950								
		Y	DA	550	DE	550	DI	600						
		N	DB	550	DF	550	DJ	600						
		Y	DC	550	DG	550	DK	600						
		N	DD	550	DH	550	DL	600						
		Y	DA	500	DE	500	DI	500						
		N	DB	500	DF	500	DJ	500						
		Y	DC	500	DG	500	DK	500						
		N	DD	500	DH	500	DL	500						
		Y	DA	550	DE	550	DI	600						
		N	DB	550	DF	550	DJ	600						
		Y	DC	550	DG	550	DK	600						
		N	DD	550	DH	550	DL	600						
		Y	DA	550	DE	600	DI	600						
		N	DB	550	DF	600	DJ	600						
		Y	DC	550	DG	600	DK	600						
		N	DD	550	DH	600	DL	600						
	Y	DA	650	DE	650	DI	650							
	N	DB	650	DF	650	DJ	650							
	Y	DC	650	DG	650	DK	650							
	N	DD	650	DH	650	DL	650							

**Reminder: The Joystick control is not included in the UltraMount® FloStat® hydraulics box.
Please choose between the Joystick Control #56369 or the CabCommand #56462**

FORD

FOUR WHEEL DRIVE Vehicle Options

Plow Options (O) and Ballast Required (B)

MODEL/ CHASSIS	MODEL YEAR	BODY STYLE	OTHER	ENGINE(S)	MIN FGAWR	HEAD LAMP	DRL ?	PLOW MODEL	Plow Options (O) and Ballast Required (B)					
									8.0'		8.5'		9.0'	
									O	B	O	B	O	B
F-250 Super Duty Pick-up 4x4 (Vehicles with cab lights also require kit # 61185) (1999-2003 See note on Spring Code and tire pressure on pg. 18) (cont.)	2000 (cont.)	Reg Cab (cont.)	8' Styleside Snowplow prep. package recommended (cont.)	7.3L Diesel	5200	HB5	Y	3219 UTPP	DA	800	DE	850	DI	950
							N		DB	800	DF	850	DJ	950
							N		DC	800	DG	850	DK	950
							N		DD	800	DH	850	DL	950
							Y		DA	600	DE	600	DI	600
							N		DB	600	DF	600	DJ	600
		Y	DC	600	DG	600	DK		600					
		N	DD	600	DH	600	DL		600					
		Y	DA	650	DE	650	DI		650					
		N	DB	650	DF	650	DJ		650					
		Y	DC	650	DG	650	DK		650					
		N	DD	650	DH	650	DL		650					
		Y	DA	550	DE	550	DI		550					
		N	DB	550	DF	550	DJ		550					
		Y	DC	550	DG	550	DK		550					
		N	DD	550	DH	550	DL		550					
		Y	DA	650	DE	750	DI		850					
		N	DB	650	DF	750	DJ		850					
		Y	DC	650	DG	750	DK		850					
		N	DD	650	DH	750	DL		850					
		Y	DA	600	DE	600	DI		650					
		N	DB	600	DF	600	DJ		650					
		Y	DC	600	DG	600	DK		650					
		N	DD	600	DH	600	DL		650					
		Y	DA	500	DE	500	DI		500					
		N	DB	500	DF	500	DJ		500					
		Y	DC	500	DG	500	DK		500					
		N	DD	500	DH	500	DL		500					
		Y	DA	850	DE	950								
		N	DB	850	DF	950								
		Y	DC	850	DG	950								
		N	DD	850	DH	950								
		Y	DA	550	DE	550	DI		600					
		N	DB	550	DF	550	DJ		600					
		Y	DC	550	DG	550	DK		600					
		N	DD	550	DH	550	DL		600					
		Y	DA	500	DE	500	DI		550					
		N	DB	500	DF	500	DJ		550					
		Y	DC	500	DG	500	DK		550					
		N	DD	500	DH	500	DL		550					

**Reminder: The Joystick control is not included in the UltraMount® FloStat® hydraulics box.
Please choose between the Joystick Control #56369 or the CabCommand #56462**

FORD

FOUR WHEEL DRIVE Vehicle Options

Plow Options (O) and Ballast Required (B)

MODEL/ CHASSIS	MODEL YEAR	BODY STYLE	OTHER	ENGINE(S)	MIN FGAWR	HEAD LAMP	DRL ?	PLOW MODEL	Plow Options (O) and Ballast Required (B)					
									8.0'		8.5'		9.0'	
								O	B	O	B	O	B	
F-250 Super Duty Pick-up 4x4 (Vehicles with cab lights also require kit # 61185) (1999-2003 See note on Spring Code and tire pressure on pg. 18) (cont.)	2000 (cont.)	Crew Cab (cont.)	8' Styleside Snowplow prep. package recommended (cont.)	6.8L V10	5200	HB5	Y	3219 UTPP	DA	550	DE	550	DI	600
							N		DB	550	DF	550	DJ	600
							N		DC	550	DG	550	DK	600
							N		DD	550	DH	550	DL	600
							Y		DA	500	DE	500	DI	500
							N		DB	500	DF	500	DJ	500
	Y	DC	500	DG	500	DK	500							
	N	DD	500	DH	500	DL	500							
	Y	DA	500	DE	550	DI	550							
	N	DB	500	DF	550	DJ	550							
	Y	DC	500	DG	550	DK	550							
	N	DD	500	DH	550	DL	550							
	Y	DA	500	DE	550	DI	550							
	N	DB	500	DF	550	DJ	550							
	Y	DC	500	DG	550	DK	550							
	N	DD	500	DH	550	DL	550							
	Y	DA	550	DE	550	DI	550							
	N	DB	550	DF	550	DJ	550							
	Y	DC	550	DG	550	DK	550							
	N	DD	550	DH	550	DL	550							
	Y	DA	550	DE	550	DI	600							
	N	DB	550	DF	550	DJ	600							
	Y	DC	550	DG	550	DK	600							
	N	DD	550	DH	550	DL	600							
	Y	DA	550	DE	550	DI	600							
	N	DB	550	DF	550	DJ	600							
	Y	DC	550	DG	550	DK	600							
	N	DD	550	DH	550	DL	600							
	Y	DA	700	DE	700	DI	750							
	N	DB	700	DF	700	DJ	750							
	Y	DC	700	DG	700	DK	750							
	N	DD	700	DH	700	DL	750							
	Y	DA	500	DE	500	DI	550							
	N	DB	500	DF	500	DJ	550							
	Y	DC	500	DG	500	DK	550							
	N	DD	500	DH	500	DL	550							
	Y	DA	550	DE	550	DI	550							
	N	DB	550	DF	550	DJ	550							
	Y	DC	550	DG	550	DK	550							
	N	DD	550	DH	550	DL	550							
	Y	DA	550	DE	550	DI	550							
	N	DB	550	DF	550	DJ	550							
	Y	DC	550	DG	550	DK	550							
	N	DD	550	DH	550	DL	550							
	Y	DA	650	DE	750	DI	850							
	N	DB	650	DF	750	DJ	850							
	Y	DC	650	DG	750	DK	850							
	N	DD	650	DH	750	DL	850							

**Reminder: The Joystick control is not included in the UltraMount® FloStat® hydraulics box.
Please choose between the Joystick Control #56369 or the CabCommand #56462**

FORD

FOUR WHEEL DRIVE Vehicle Options

Plow Options (O) and Ballast Required (B)

MODEL/ CHASSIS	MODEL YEAR	BODY STYLE	OTHER	ENGINE(S)	MIN FGAWR	HEAD LAMP	DRL ?	PLOW MODEL	Plow Options (O) and Ballast Required (B)					
									8.0'		8.5'		9.0'	
								O	B	O	B	O	B	
F-250 Super Duty Pick-up 4x4 (Vehicles with cab lights also require kit # 61185) (1999-2003 See note on Spring Code and tire pressure on pg. 18) (cont.)	1999 (cont.)	X-Cab (cont.)	7' Styleside Snowplow prep. package recommended (cont.)	7.3L Diesel	5200	HB5	Y	3219 UTPP	DA	800	DE	900	DI	1000
							N		DB	800	DF	900	DJ	1000
							Y		DC	800	DG	900	DK	1000
						N	DD		800	DH	900	DL	1000	
						Y	DA		450	DE	500	DI	500	
						N	DB		450	DF	500	DJ	500	
				Y	DC	450	DG	500	DK	500				
				N	DD	450	DH	500	DL	500				
				Y	DA	500	DE	500	DI	600				
				N	DB	500	DF	500	DJ	600				
				Y	DC	500	DG	500	DK	600				
				N	DD	500	DH	500	DL	600				
			Y	DA	500	DE	550	DI	550					
			N	DB	500	DF	550	DJ	550					
			Y	DC	500	DG	550	DK	550					
			N	DD	500	DH	550	DL	550					
			Y	DA	800	DE	900							
			N	DB	800	DF	900							
			Y	DC	800	DG	900							
			N	DD	800	DH	900							
			Y	DA	950									
			N	DB	950									
			Y	DC	950									
			N	DD	950									
		Y	DA	450	DE	500	DI	500						
		N	DB	450	DF	500	DJ	500						
		Y	DC	450	DG	500	DK	500						
		N	DD	450	DH	500	DL	500						
		Y	DA	950										
		N	DB	950										
		Y	DC	950										
		N	DD	950										
		Y	DA	500	DE	550	DI	550						
		N	DB	500	DF	550	DJ	550						
		Y	DC	500	DG	550	DK	550						
		N	DD	500	DH	550	DL	550						
		Y	DA	500	DE	500	DI	500						
		N	DB	500	DF	500	DJ	500						
		Y	DC	500	DG	500	DK	500						
		N	DD	500	DH	500	DL	500						
		Y	DA	500	DE	550	DI	550						
		N	DB	500	DF	550	DJ	550						
		Y	DC	500	DG	550	DK	550						
		N	DD	500	DH	550	DL	550						

**Reminder: The Joystick control is not included in the UltraMount® FloStat® hydraulics box.
 Please choose between the Joystick Control #56369 or the CabCommand #56462**

FORD

FOUR WHEEL DRIVE Vehicle Options								PLOW Options (O) and Ballast Required (B)							
MODEL/ CHASSIS	MODEL YEAR	BODY STYLE	OTHER	ENGINE(S)	MIN FGAWR	HEAD LAMP	DRL ?	PLOW MODEL	8.0'		8.5'		9.0'		
									O	B	O	B	O	B	
F-250 HD Pick-up 4x4 (Vehicles with cab lights also require kit # 61185)	1992-1997	Reg Cab	Min. 8,600 GVWR Snowplow prep. package recommended	5.8L V8	4600	HB5	Y	1299 UTPP	DA	300	DC	350	DE	350	
							N		DB	300	DD	350	DF	350	
				N	DA	400	DC		450	DE	450				
		N	DB	400	DD	450	DF		450						
		X-Cab	8' Box	5.8L V8	4600	HB5	Y		DA	300	DC	300	DE	350	
							N		DB	300	DD	300	DF	350	
	7.5L V8	4600	HB5	Y	DA	400	DC	400	DE	450					
				N	DB	400	DD	400	DF	450					
	1980-1991	Reg Cab	8' Box Snowplow prep. package recommended	5.8L V8	4600	HB-1	Y	1349 UTPP	DA	600	DD	650	DG	650	
							N		DB	600	DE	650	DH	650	
						N	DC		600	DF	650	DI	650		
				7.5L V8	4600	HB-1	Y		DA	700	DD	700	DG	700	
							N		DB	700	DE	700	DH	700	
				2B	N	N	DC		700	DF	700	DI	700		
		DA	550				DD	550	DG	600					
		SuperCab	8' Box Snowplow prep. package recommended	5.8L V8	4600	HB-1	Y	DB	550	DE	550	DH	600		
N							DC	550	DF	550	DI	600			
4410				HB-1	Y	DA	800	DD	900	DG	1000				
	N				DB	800	DE	900	DH	1000					
7.5L V8	4600	HB-1	Y	DC	800	DF	900	DI	1000						
			N	DA	750	DD	850	DG	900						
2B	N	N	DB	750	DE	850	DH	900							
			DC	750	DF	850	DI	900							
F-350 Super Duty Pick-up 4x4 May require bumper notching (Vehicles with cab lights also require kit # 61185) (1999-2003 See note on Spring Code and tire pressure on pg. 18)	2003	Reg Cab	8' BOX Single rear wheels Snowplow prep. package recommended	5.4L V8	5200	HB5	Y	3219 UTPP	DA	500	DE	500	DI	550	
							N		DB	500	DF	500	DJ	550	
							N		DC	500	DG	500	DK	550	
						2B	Y		N	DD	500	DH	500	DL	550
										DA	500	DE	500	DI	550
						4800	HB5		Y	DB	500	DF	500	DJ	550
				N	DC				500	DG	500	DK	550		
				2B	Y	N	DD		500	DH	500	DL	550		
							DA		550	DE	550	DI	600		
				6.8L V10	5200	HB5	Y		DB	550	DF	550	DJ	600	
							N		DC	550	DG	550	DK	600	
						2B	Y		N	DD	550	DH	550	DL	600
										DA	750	DE	850	DI	950
				4800	HB5	Y	DB		750	DF	850	DJ	950		
N	DC	750	DG			850	DK	950							
2B	Y	N	DD	750	DH	850	DL	950							
			DA	750	DE	850	DI	950							

**Reminder: The Joystick control is not included in the UltraMount® FloStat® hydraulics box.
Please choose between the Joystick Control #56369 or the CabCommand #56462**

FORD

FOUR WHEEL DRIVE Vehicle Options								Plow Options (O) and Ballast Required (B)						
MODEL/ CHASSIS	MODEL YEAR	BODY STYLE	OTHER	ENGINE(S)	MIN FGAWR	HEAD LAMP	DRL ?	PLOW MODEL	8.0'		8.5'		9.0'	
									O	B	O	B	O	B
F-350 Super Duty Pick-up 4x4 May require bumper notching (Vehicles with cab lights also require kit # 61185) (1999-2003 See note on Spring Code and tire pressure on pg. 18) (cont.)	2003 (cont.)	Reg Cab (cont.)	8' BOX Single rear wheels Snowplow prep. package recommended (cont.)	7.3L Diesel	5200	HB5	Y	3219 UTPP	DA	850	DE	950		
						2B	Y		DB	850	DF	950		
							N		DC	850	DG	950		
					N	DD	850		DH	950				
					Y	DA	950							
					N	DB	950							
				Y	DC	950								
				N	DD	950								
				Y	DA	350	DE		350	DI	350			
				N	DB	350	DF		350	DJ	350			
				Y	DC	350	DG		350	DK	350			
				N	DD	350	DH		350	DL	350			
				Y	DA	350	DE		400	DI	500			
				N	DB	350	DF		400	DJ	500			
				Y	DC	350	DG		400	DK	500			
				N	DD	350	DH		400	DL	500			
				Y	DA	350	DE		350	DI	350			
				N	DB	350	DF		350	DJ	350			
		Y	DC	350	DG	350	DK	350						
		N	DD	350	DH	350	DL	350						
		Y	DA	900	DE	1000								
		N	DB	900	DF	1000								
		Y	DC	900	DG	1000								
		N	DD	900	DH	1000								
		Y	DA	950										
		N	DB	950										
		Y	DC	950										
		N	DD	950										
		Y	DA	450	DE	450	DI	450						
		N	DB	450	DF	450	DJ	450						
		Y	DC	450	DG	450	DK	450						
		N	DD	450	DH	450	DL	450						
		Y	DA	450	DE	500	DI	600						
		N	DB	450	DF	500	DJ	600						
		Y	DC	450	DG	500	DK	600						
		N	DD	450	DH	500	DL	600						
	Y	DA	500	DE	500	DI	500							
	N	DB	500	DF	500	DJ	500							
	Y	DC	500	DG	500	DK	500							
	N	DD	500	DH	500	DL	500							

**Reminder: The Joystick control is not included in the UltraMount® FloStat® hydraulics box.
Please choose between the Joystick Control #56369 or the CabCommand #56462**

FORD

FOUR WHEEL DRIVE Vehicle Options

Plow Options (O) and Ballast Required (B)

MODEL/ CHASSIS	MODEL YEAR	BODY STYLE	OTHER	ENGINE(S)	MIN FGAWR	HEAD LAMP	DRL ?	PLOW MODEL	Plow Options (O) and Ballast Required (B)					
									8.0'		8.5'		9.0'	
									O	B	O	B	O	B
F-350 Super Duty Pick-up 4x4 May require bumper notching (Vehicles with cab lights also require kit # 61185) (1999-2003 See note on Spring Code and tire pressure on pg. 18) (cont.)	2003 (cont.)	SuperCab (cont.)	7' BOX Single rear wheels Snowplow prep. package recommended (cont.)	6.8L V10 (cont.)	4800	HB5	Y	3219 UTPP	DA	950				
							N		DB	950				
							Y		DC	950				
						N	DD		950					
						Y	DA		1000					
						N	DB		1000					
				Y	DC	1000								
				N	DD	1000								
				Y	DA	450	DE		450	DI	500			
				N	DB	450	DF		450	DJ	500			
				Y	DC	450	DG		450	DK	500			
				N	DD	450	DH		450	DL	500			
			Y	DA	950									
			N	DB	950									
			Y	DC	950									
			N	DD	950									
			Y	DA	500	DE	550		DI	550				
			N	DB	500	DF	550		DJ	550				
			Y	DC	500	DG	550		DK	550				
			N	DD	500	DH	550		DL	550				
			Y	DA	300	DE	300		DI	350				
			N	DB	300	DF	300		DJ	350				
			Y	DC	300	DG	300		DK	350				
			N	DD	300	DH	300		DL	350				
		Y	DA	300	DE	350	DI	350						
		N	DB	300	DF	350	DJ	350						
		Y	DC	300	DG	350	DK	350						
		N	DD	300	DH	350	DL	350						
		Y	DA	400	DE	450	DI	450						
		N	DB	400	DF	450	DJ	450						
		Y	DC	400	DG	450	DK	450						
		N	DD	400	DH	450	DL	450						
		Y	DA	1000										
		N	DB	1000										
		Y	DC	1000										
		N	DD	1000										
		Y	DA	450	DE	500	DI	500						
		N	DB	450	DF	500	DJ	500						
		Y	DC	450	DG	500	DK	500						
		N	DD	450	DH	500	DL	500						
		Y	DA	300	DE	300	DI	350						
		N	DB	300	DF	300	DJ	350						
		Y	DC	300	DG	300	DK	350						
		N	DD	300	DH	300	DL	350						

**Reminder: The Joystick control is not included in the UltraMount® FloStat® hydraulics box.
Please choose between the Joystick Control #56369 or the CabCommand #56462**

FORD

FOUR WHEEL DRIVE Vehicle Options								Plow Options (O) and Ballast Required (B)						
MODEL/ CHASSIS	MODEL YEAR	BODY STYLE	OTHER	ENGINE(S)	MIN FGAWR	HEAD LAMP	DRL ?	PLOW MODEL	8.0'		8.5'		9.0'	
									O	B	O	B	O	B
F-350 Super Duty Pick-up 4x4 May require bumper notching (Vehicles with cab lights also require kit # 61185) (1999-2003 See note on Spring Code and tire pressure on pg. 18) (cont.)	2003 (cont.)	Crew Cab (cont.)	8' BOX Single rear wheels Snowplow prep. package recommended	5.4L V8	5200	HB5	Y	3219 UTPP	DA	450	DE	450	DI	450
							N		DB	450	DF	450	DJ	450
						2B	Y		DC	450	DG	450	DK	450
				N	DD	450	DH		450	DL	450			
				6.8L V10	5200	HB5	Y		DA	500	DE	500	DI	550
				N	DB		500		DF	500	DJ	550		
			2B	Y	DC	500	DG		500	DK	550			
			N	DD	500	DH	500		DL	550				
			8' Styleside Dual rear wheels Snowplow prep. package recommended	6.8L V10	5200	HB5	Y		DA	450	DE	550	DI	700
							N		DB	450	DF	550	DJ	700
						2B	Y		DC	450	DG	550	DK	700
				N	DD	450	DH		550	DL	700			
	2002	Reg Cab		8' Styleside Single rear wheels Snowplow prep. package recommended	5.4L V8	5200	HB5	Y	DA	500	DE	500	DI	500
								N	DB	500	DF	500	DJ	500
			2B				Y	DC	500	DG	500	DK	500	
			N				DD	500	DH	500	DL	500		
			4800				HB5	Y	DA	500	DE	500	DI	500
								N	DB	500	DF	500	DJ	500
			2B		Y	DC	500	DG	500	DK	500			
			N		DD	500	DH	500	DL	500				
			6.8L V10		5200	HB5	Y	DA	550	DE	550	DI	600	
							N	DB	550	DF	550	DJ	600	
						2B	Y	DC	550	DG	550	DK	600	
					N	DD	550	DH	550	DL	600			
	4800	HB5			Y	DA	700	DE	750	DI	850			
					N	DB	700	DF	750	DJ	850			
	2B	Y	DC		700	DG	750	DK	850					
	N	DD	700		DH	750	DL	850						
	7.3L Diesel	5200	HB5		Y	DA	850	DE	950	DI	1000			
					N	DB	850	DF	950	DJ	1000			
			2B		Y	DC	850	DG	950	DK	1000			
		N	DD		850	DH	950	DL	1000					
		5.4L V8	5200		HB5	Y	DA	650	DE	700	DI	700		
						N	DB	650	DF	700	DJ	700		
	2B				Y	DC	650	DG	700	DK	700			
	N		DD		650	DH	700	DL	700					
	4800		HB5	Y	DA	650	DE	700	DI	700				
				N	DB	650	DF	700	DJ	700				
	2B	Y	DC	650	DG	700	DK	700						
	N	DD	650	DH	700	DL	700							
	6.8L V10	5200	HB5	Y	DA	650	DE	700	DI	700				
				N	DB	650	DF	700	DJ	700				
		2B	Y	DC	650	DG	700	DK	700					
			N	DD	650	DH	700	DL	700					

**Reminder: The Joystick control is not included in the UltraMount® FloStat® hydraulics box.
Please choose between the Joystick Control #56369 or the CabCommand #56462**

FORD

FOUR WHEEL DRIVE Vehicle Options

Plow Options (O) and Ballast Required (B)

MODEL/ CHASSIS	MODEL YEAR	BODY STYLE	OTHER	ENGINE(S)	MIN FGAWR	HEAD LAMP	DRL ?	PLOW MODEL	Plow Options (O) and Ballast Required (B)					
									8.0'		8.5'		9.0'	
									O	B	O	B	O	B
F-350 Super Duty Pick-up 4x4 May require bumper notching (Vehicles with cab lights also require kit # 61185) (1999-2003 See note on Spring Code and tire pressure on pg. 18) (cont.)	2002 (cont.)	Reg Cab (cont.)	8' Styleside Dual rear wheels Snowplow prep. package recommended (cont.)	6.8L V10 (cont.)	4800	HB5	Y	3219 UTPP	DA	650	DE	700	DI	700
							N		DB	650	DF	700	DJ	700
							Y		DC	650	DG	700	DK	700
						N	DD		650	DH	700	DL	700	
						Y	DA		850	DE	850	DI	850	
						N	DB		850	DF	850	DJ	850	
				Y	DC	850	DG		850	DK	850			
				N	DD	850	DH		850	DL	850			
				Y	DA	500	DE		500	DI	500			
				N	DB	500	DF		500	DJ	500			
				Y	DC	500	DG		500	DK	500			
				N	DD	500	DH		500	DL	500			
		Y	DA	500	DE	550	DI	650						
		N	DB	500	DF	550	DJ	650						
		Y	DC	500	DG	550	DK	650						
		N	DD	500	DH	550	DL	650						
		Y	DA	550	DE	550	DI	550						
		N	DB	550	DF	550	DJ	550						
		Y	DC	550	DG	550	DK	550						
		N	DD	550	DH	550	DL	550						
		Y	DA	1000										
		N	DB	1000										
		Y	DC	1000										
		N	DD	1000										
		Y	DA	450	DE	450	DI	450						
		N	DB	450	DF	450	DJ	450						
		Y	DC	450	DG	450	DK	450						
		N	DD	450	DH	450	DL	450						
		Y	DA	900	DE	1000								
		N	DB	900	DF	1000								
		Y	DC	900	DG	1000								
		N	DD	900	DH	1000								
		Y	DA	500	DE	500	DI	550						
		N	DB	500	DF	500	DJ	500						
		Y	DC	500	DG	500	DK	500						
		N	DD	500	DH	500	DL	500						
		Y	DA	300	DE	300	DI	350						
		N	DB	300	DF	300	DJ	350						
		Y	DC	300	DG	300	DK	350						
		N	DD	300	DH	300	DL	350						
		Y	DA	1000										
		N	DB	1000										
		Y	DC	1000										
		N	DD	1000										

**Reminder: The Joystick control is not included in the UltraMount® FloStat® hydraulics box.
Please choose between the Joystick Control #56369 or the CabCommand #56462**

FORD

FOUR WHEEL DRIVE Vehicle Options								Plow Options (O) and Ballast Required (B)						
MODEL/ CHASSIS	MODEL YEAR	BODY STYLE	OTHER	ENGINE(S)	MIN FGAWR	HEAD LAMP	DRL ?	PLOW MODEL	8.0'		8.5'		9.0'	
									O	B	O	B	O	B
F-350 Super Duty Pick-up 4x4 May require bumper notching (Vehicles with cab lights also require kit # 61185) (1999-2003 See note on Spring Code and tire pressure on pg. 18) (cont.)	2002 (cont.)	SuperCab (cont.)	8' Styleside - Dual rear wheels Snowplow prep. package recommended (cont.)	6.8L V10	5200	HB5	Y	3219 UTPP	DA	300	DE	300	DI	350
							N		DB	300	DF	300	DJ	350
							Y		DC	300	DG	300	DK	350
						N	DD		300	DH	300	DL	350	
						Y	DA		400	DE	450	DI	450	
						N	DB		400	DF	450	DJ	450	
		Y	DC	400	DG	450	DK		450					
		N	DD	400	DH	450	DL		450					
		Y	DA	950										
		N	DB	950										
		Y	DC	950										
		N	DD	950										
		Y	DA	450	DE	500	DI		500					
		N	DB	450	DF	500	DJ		500					
		Y	DC	450	DG	500	DK		500					
		N	DD	450	DH	500	DL		500					
		Y	DA	350	DE	350	DI		350					
		N	DB	350	DF	350	DJ		350					
	Y	DC	350	DG	350	DK	350							
	N	DD	350	DH	350	DL	350							
	Y	DA	400	DE	450	DI	450							
	N	DB	400	DF	450	DJ	450							
	Y	DC	400	DG	450	DK	450							
	N	DD	400	DH	450	DL	450							
	Y	DA	500	DE	500	DI	500							
	N	DB	500	DF	500	DJ	500							
	Y	DC	500	DG	500	DK	500							
	N	DD	500	DH	500	DL	500							
	Y	DA	650	DE	750	DI	850							
	N	DB	650	DF	750	DJ	850							
Y	DC	650	DG	750	DK	850								
N	DD	650	DH	750	DL	850								
Y	DA	550	DE	600	DI	600								
N	DB	550	DF	600	DJ	600								
Y	DC	550	DG	600	DK	600								
N	DD	550	DH	600	DL	600								
Y	DA	550	DE	600	DI	600								
N	DB	550	DF	600	DJ	600								
Y	DC	550	DG	600	DK	600								
N	DD	550	DH	600	DL	600								

**Reminder: The Joystick control is not included in the UltraMount® FloStat® hydraulics box.
Please choose between the Joystick Control #56369 or the CabCommand #56462**

FORD

FOUR WHEEL DRIVE Vehicle Options

Plow Options (O) and Ballast Required (B)

MODEL/ CHASSIS	MODEL YEAR	BODY STYLE	OTHER	ENGINE(S)	MIN FGAWR	HEAD LAMP	DRL ?	PLOW MODEL	Plow Options (O) and Ballast Required (B)					
									8.0'		8.5'		9.0'	
									O	B	O	B	O	B
F-350 Super Duty Pick-up 4x4 May require bumper notching (Vehicles with cab lights also require kit # 61185) (1999-2003 See note on Spring Code and tire pressure on pg. 18) (cont.)	2001 (cont.)	Reg Cab (cont.)	8' Styleside Single rear wheels Snowplow prep. package recommended (cont.)	6.8L V10	5200	HB5	Y	3219 UTPP	DA	650	DE	650	DI	650
							N		DB	650	DF	650	DJ	650
							Y		DC	650	DG	650	DK	650
						N	DD		650	DH	650	DL	650	
						Y	DA		650	DE	700	DI	800	
						N	DB		650	DF	700	DJ	800	
				Y	DC	650	DG		700	DK	800			
				N	DD	650	DH		700	DL	800			
				Y	DA	1000								
				N	DB	1000								
				Y	DC	1000								
				N	DD	1000								
			Y	DA	400	DE	400		DI	400				
			N	DB	400	DF	400		DJ	400				
			Y	DC	400	DG	400		DK	400				
			N	DD	400	DH	400		DL	400				
			Y	DA	400	DE	400		DI	400				
			N	DB	400	DF	400		DJ	400				
			Y	DC	400	DG	400		DK	400				
			N	DD	400	DH	400		DL	400				
			Y	DA	850	DE	950		DI	1000				
			N	DB	850	DF	950		DJ	1000				
			Y	DC	850	DG	950		DK	1000				
			N	DD	850	DH	950		DL	1000				
		Y	DA	600	DE	600	DI	600						
		N	DB	600	DF	600	DJ	600						
		Y	DC	600	DG	600	DK	600						
		N	DD	600	DH	600	DL	600						
		Y	DA	650	DE	650	DI	650						
		N	DB	650	DF	650	DJ	650						
		Y	DC	650	DG	650	DK	650						
		N	DD	650	DH	650	DL	650						
		Y	DA	1000										
		N	DB	1000										
		Y	DC	1000										
		N	DD	1000										
		Y	DA	550	DE	550	DI	550						
		N	DB	550	DF	550	DJ	550						
		Y	DC	550	DG	550	DK	550						
		N	DD	550	DH	550	DL	550						

**Reminder: The Joystick control is not included in the UltraMount® FloStat® hydraulics box.
Please choose between the Joystick Control #56369 or the CabCommand #56462**

FORD

FOUR WHEEL DRIVE Vehicle Options								Plow Options (O) and Ballast Required (B)						
MODEL/ CHASSIS	MODEL YEAR	BODY STYLE	OTHER	ENGINE(S)	MIN FGAWR	HEAD LAMP	DRL ?	PLOW MODEL	8.0'		8.5'		9.0'	
									O	B	O	B	O	B
F-350 Super Duty Pick-up 4x4 May require bumper notching (Vehicles with cab lights also require kit # 61185) (1999-2003 See note on Spring Code and tire pressure on pg. 18) (cont.)	2001 (cont.)	SuperCab (cont.)	8' Styleside Single rear wheels Snowplow prep. package recommended (cont.)	5.4L V8 (cont.)	4800	HB5	Y	3219 UTPP	DA	600	DE	750	DI	850
							N		DB	600	DF	750	DJ	850
							Y		DC	600	DG	750	DK	850
						N	DD		600	DH	750	DL	850	
						Y	DA		600	DE	600	DI	650	
						N	DB		600	DF	600	DJ	650	
				Y	DC	600	DG		600	DK	650			
				N	DD	600	DH		600	DL	650			
				Y	DA	400	DE		400	DI	450			
				N	DB	400	DF		400	DJ	450			
				Y	DC	400	DG		400	DK	450			
				N	DD	400	DH		400	DL	450			
			Y	DA	800	DE	900		DI	1000				
			N	DB	800	DF	900		DJ	1000				
			Y	DC	800	DG	900		DK	1000				
			N	DD	800	DH	900		DL	1000				
			Y	DA	400	DE	450		DI	450				
			N	DB	400	DF	450		DJ	450				
			Y	DC	400	DG	450		DK	450				
			N	DD	400	DH	450		DL	450				
			Y	DA	550	DE	600		DI	600				
			N	DB	550	DF	600		DJ	600				
			Y	DC	550	DG	600		DK	600				
			N	DD	550	DH	600		DL	600				
		Y	DA	400	DE	450	DI	450						
		N	DB	400	DF	450	DJ	450						
		Y	DC	400	DG	450	DK	450						
		N	DD	400	DH	450	DL	450						
		Y	DA	500	DE	500	DI	550						
		N	DB	500	DF	500	DJ	550						
		Y	DC	500	DG	500	DK	550						
		N	DD	500	DH	500	DL	550						
		Y	DA	550	DE	550	DI	600						
		N	DB	550	DF	550	DJ	600						
		Y	DC	550	DG	550	DK	600						
		N	DD	550	DH	550	DL	600						
		Y	DA	500	DE	600	DI	750						
		N	DB	500	DF	600	DJ	750						
		Y	DC	500	DG	600	DK	750						
		N	DD	500	DH	600	DL	750						

**Reminder: The Joystick control is not included in the UltraMount® FloStat® hydraulics box.
Please choose between the Joystick Control #56369 or the CabCommand #56462**

FORD

FOUR WHEEL DRIVE Vehicle Options

PLOW Options (O) and Ballast Required (B)

MODEL/ CHASSIS	MODEL YEAR	BODY STYLE	OTHER	ENGINE(S)	MIN FGAWR	HEAD LAMP	DRL ?	PLOW MODEL	PLOW Options (O) and Ballast Required (B)						
									8.0'		8.5'		9.0'		
									O	B	O	B	O	B	
F-350 Super Duty Pick-up 4x4 May require bumper notching (Vehicles with cab lights also require kit # 61185) (1999-2003 See note on Spring Code and tire pressure on pg. 18) (cont.)	2000	Reg Cab	8' Styleside Single rear wheels	5.4L V8	5200	HB5	Y	3219 UTPP	DA	550	DE	600	DI	600	
							N		DB	550	DF	600	DJ	600	
							2B		Y	DC	550	DG	600	DK	600
						N	DD		550	DH	600	DL	600		
						4800	HB5		Y	DA	550	DE	550	DI	600
						N			DB	550	DF	550	DJ	600	
				2B	Y	DC			550	DG	550	DK	600		
				N	DD	550	DH		550	DL	600				
				6.8L V10	5200	HB5	Y		DA	650	DE	650	DI	650	
				N			DB		650	DF	650	DJ	650		
				2B			Y		DC	650	DG	650	DK	650	
				N		DD	650		DH	650	DL	650			
			4800	HB5		Y	DA		650	DE	700	DI	800		
			N			DB	650		DF	700	DJ	800			
			2B		Y	DC	650		DG	700	DK	800			
			N	DD	650	DH	700		DL	800					
			7.3L Diesel	5200	HB5	Y	DA		800	DE	800	DI	900		
			N			DB	800		DF	800	DJ	900			
			2B			Y	DC		800	DG	800	DK	900		
			N		DD	800	DH		800	DL	900				
			8' Styleside Dual rear wheels		5.4L V8	5200	HB5		Y	DA	400	DE	400	DI	400
									N	DB	400	DF	400	DJ	400
				2B					Y	DC	400	DG	400	DK	400
				N			DD		400	DH	400	DL	400		
		6.8L V10		5200			HB5	Y	DA	400	DE	400	DI	400	
								N	DB	400	DF	400	DJ	400	
					2B	Y		DC	400	DG	400	DK	400		
					N	DD	400	DH	400	DL	400				
					7.3L Diesel	5200	HB5	Y	DA	850	DE	950	DI	1000	
								N	DB	850	DF	950	DJ	1000	
		2B		Y				DC	850	DG	950	DK	1000		
		N		DD			850	DH	950	DL	1000				
		SuperCab	7' Styleside Single rear wheels	5.4L V8			5200	HB5	Y	DA	600	DE	600	DI	600
									N	DB	600	DF	600	DJ	600
					2B	Y			DC	600	DG	600	DK	600	
					N	DD		600	DH	600	DL	600			
					6.8L V10	5200		HB5	Y	DA	650	DE	650	DI	650
									N	DB	650	DF	650	DJ	650
			2B	Y			DC		650	DG	650	DK	650		
			N	DD			650	DH	650	DL	650				
			7.3L Diesel	5200			HB5	Y	DA	1000					
								N	DB	1000					
					2B	Y		DC	1000						
					N	DD	1000								

**Reminder: The Joystick control is not included in the UltraMount® FloStat® hydraulics box.
 Please choose between the Joystick Control #56369 or the CabCommand #56462**

FORD

FOUR WHEEL DRIVE Vehicle Options

Plow Options (O) and Ballast Required (B)

MODEL/ CHASSIS	MODEL YEAR	BODY STYLE	OTHER	ENGINE(S)	MIN FGAWR	HEAD LAMP	DRL ?	PLOW MODEL	Plow Options (O) and Ballast Required (B)					
									8.0'		8.5'		9.0'	
									O	B	O	B	O	B
F-350 Super Duty Pick-up 4x4 May require bumper notching (Vehicles with cab lights also require kit # 61185) (1999-2003 See note on Spring Code and tire pressure on pg. 18) (cont.)	2000 (cont.)	SuperCab (cont.)	8' Styleside Single rear wheels	5.4L V8	5200	HB5	Y	3219 UTPP	DA	550	DE	550	DI	550
							N		DB	550	DF	550	DJ	550
							Y		DC	550	DG	550	DK	550
						N	DD		550	DH	550	DL	550	
						Y	DA		600	DE	750	DI	850	
						N	DB		600	DF	750	DJ	850	
			Y	DC	600	DG	750		DK	850				
			N	DD	600	DH	750		DL	850				
			Y	DA	600	DE	600		DI	650				
			N	DB	600	DF	600		DJ	650				
			Y	DC	600	DG	600		DK	650				
			N	DD	600	DH	600		DL	650				
		Y	DA	400	DE	400	DI		450					
		N	DB	400	DF	400	DJ		450					
		Y	DC	400	DG	400	DK		450					
		N	DD	400	DH	400	DL		450					
		Y	DA	800	DE	900	DI		1000					
		N	DB	800	DF	900	DJ		1000					
		Y	DC	800	DG	900	DK		1000					
		N	DD	800	DH	900	DL		1000					
		Y	DA	400	DE	450	DI		450					
		N	DB	400	DF	450	DJ		450					
		Y	DC	400	DG	450	DK		450					
		N	DD	400	DH	450	DL		450					
	Y	DA	550	DE	550	DI	600							
	N	DB	550	DF	550	DJ	600							
	Y	DC	550	DG	550	DK	600							
	N	DD	550	DH	550	DL	600							
	Y	DA	400	DE	450	DI	450							
	N	DB	400	DF	450	DJ	450							
	Y	DC	400	DG	450	DK	450							
	N	DD	400	DH	450	DL	450							
	Y	DA	500	DE	500	DI	550							
	N	DB	500	DF	500	DJ	550							
	Y	DC	500	DG	500	DK	550							
	N	DD	500	DH	500	DL	550							
	Y	DA	550	DE	550	DI	600							
	N	DB	550	DF	550	DJ	600							
	Y	DC	550	DG	550	DK	600							
	N	DD	550	DH	550	DL	600							
	Y	DA	500	DE	600	DI	750							
	N	DB	500	DF	600	DJ	750							
	Y	DC	500	DG	600	DK	750							
	N	DD	500	DH	600	DL	750							

**Reminder: The Joystick control is not included in the UltraMount® FloStat® hydraulics box.
Please choose between the Joystick Control #56369 or the CabCommand #56462**

FORD

FOUR WHEEL DRIVE Vehicle Options

Plow Options (O) and Ballast Required (B)

MODEL/ CHASSIS	MODEL YEAR	BODY STYLE	OTHER	ENGINE(S)	MIN FGAWR	HEAD LAMP	DRL ?	PLOW MODEL	Plow Options (O) and Ballast Required (B)								
									8.0'		8.5'		9.0'				
									O	B	O	B	O	B			
F-350 Super Duty Pick-up 4x4 May require bumper notching (Vehicles with cab lights also require kit # 61185) (1999-2003 See note on Spring Code and tire pressure on pg. 18) (cont.)	1999	Reg Cab	8' Styleside Single rear wheels Snowplow prep. package recommended	5.4L V8	5200	HB5	Y	3219 UTPP	DA	500	DE	500	DI	500			
							N		DB	500	DF	500	DJ	500			
							Y		DC	500	DG	500	DK	500			
						N	DD		500	DH	500	DL	500				
						Y	DA		500	DE	550	DI	550				
						N	DB		500	DF	550	DJ	550				
					Y	DC	500		DG	550	DK	550					
					N	DD	500		DH	550	DL	550					
					Y	DA	550		DE	550	DI	550					
					N	DB	500		DF	550	DJ	550					
					Y	DC	500		DG	550	DK	550					
					N	DD	500		DH	550	DL	550					
				Y	DA	550	DE		550	DI	550						
				N	DB	500	DF		550	DJ	550						
				Y	DC	500	DG		550	DK	550						
				N	DD	500	DH		550	DL	550						
				Y	DA	550	DE		550	DI	550						
				N	DB	550	DF		550	DJ	600						
				Y	DC	550	DG		550	DK	600						
				N	DD	550	DH		550	DL	600						
				Y	DA	700	DE		700	DI	750						
				N	DB	700	DF		700	DJ	750						
				Y	DC	700	DG		700	DK	750						
				N	DD	700	DH		700	DL	750						
			Y	DA	450	DE	500		DI	500							
			N	DB	450	DF	500		DJ	500							
			Y	DC	450	DG	500		DK	500							
			N	DD	450	DH	500		DL	500							
			Y	DA	450	DE	450		DI	450							
			N	DB	450	DF	450		DJ	450							
			Y	DC	450	DG	450		DK	450							
			N	DD	450	DH	450		DL	450							
			Y	DA	450	DE	450		DI	450							
			N	DB	450	DF	450		DJ	450							
			Y	DC	450	DG	450		DK	450							
			N	DD	450	DH	450		DL	450							
			Y	DA	600	DE	700		DI	800							
			N	DB	600	DF	700		DJ	800							
			Y	DC	600	DG	700		DK	800							
			N	DD	600	DH	700		DL	800							
			Y	DA	750	DE	850		DI	950							
			N	DB	750	DF	850		DJ	950							
			Y	DC	750	DG	850		DK	950							
			N	DD	750	DH	850		DL	950							
						8' Styleside Dual rear wheels Snowplow prep. package recommended	5.4L V8		5200	HB5	Y	DA	450	DE	500	DI	500
			N	DB	450						DF	500	DJ	500			
			Y	DC	450						DG	500	DK	500			
			N	DD	450				DH	500	DL	500					
Y	DA	450	DE	450	DI			450									
N	DB	450	DF	450	DJ			450									
Y	DC	450	DG	450	DK		450										
N	DD	450	DH	450	DL		450										
Y	DA	450	DE	450	DI		450										
N	DB	450	DF	450	DJ		450										
Y	DC	450	DG	450	DK		450										
N	DD	450	DH	450	DL		450										
Y	DA	600	DE	700	DI	800											
N	DB	600	DF	700	DJ	800											
Y	DC	600	DG	700	DK	800											
N	DD	600	DH	700	DL	800											
Y	DA	750	DE	850	DI	950											
N	DB	750	DF	850	DJ	950											
Y	DC	750	DG	850	DK	950											
N	DD	750	DH	850	DL	950											

Reminder: The Joystick control is not included in the UltraMount® FloStat® hydraulics box.
Please choose between the Joystick Control #56369 or the CabCommand #56462

FORD

FOUR WHEEL DRIVE Vehicle Options

Plow Options (O) and Ballast Required (B)

MODEL/ CHASSIS	MODEL YEAR	BODY STYLE	OTHER	ENGINE(S)	MIN FGAWR	HEAD LAMP	DRL ?	PLOW MODEL	Plow Options (O) and Ballast Required (B)					
									8.0'		8.5'		9.0'	
									O	B	O	B	O	B
F-350 Super Duty Pick-up 4x4 May require bumper notching (Vehicles with cab lights also require kit # 61185) (1999-2003 See note on Spring Code and tire pressure on pg. 18) (cont.)	1999 (cont.)	X-Cab	7' Styleside (142" WB) Single rear wheels Snowplow prep. package recommended	5.4L V8	5200	HB5	Y	3219 UTPP	DA	500	DE	500	DI	550
							N		DB	500	DF	500	DJ	550
							2B		Y	DC	500	DG	500	DK
						N	DD		500	DH	500	DL	550	
						HB5	Y		DA	500	DE	550	DI	550
						N	DB		500	DF	550	DJ	550	
					2B	Y	DC		500	DG	550	DK	550	
					N	DD	500		DH	550	DL	550		
					HB5	Y	DA		550	DE	550	DI	550	
					N	DB	550		DF	550	DJ	550		
					2B	Y	DC		550	DG	550	DK	550	
					N	DD	550		DH	550	DL	550		
				HB5	Y	DA	700		DE	800	DI	900		
				N	DB	700	DF		800	DJ	900			
				2B	Y	DC	700		DG	800	DK	900		
				N	DD	700	DH		800	DL	900			
				HB5	Y	DA	800		DE	900	DI	1000		
				N	DB	800	DF		900	DJ	1000			
				2B	Y	DC	800		DG	900	DK	1000		
				N	DD	800	DH		900	DL	1000			
				HB5	Y	DA	450		DE	500	DI	500		
				N	DB	450	DF		500	DJ	500			
				2B	Y	DC	450		DG	500	DK	500		
				N	DD	450	DH		500	DL	500			
			HB5	Y	DA	500	DE		500	DI	600			
			N	DB	500	DF	500		DJ	600				
			2B	Y	DC	500	DG		500	DK	600			
			N	DD	500	DH	500		DL	600				
			HB5	Y	DA	500	DE		550	DI	550			
			N	DB	500	DF	550		DJ	550				
			2B	Y	DC	500	DG		550	DK	550			
			N	DD	500	DH	550		DL	550				
			HB5	Y	DA	850	DE		950					
			N	DB	850	DF	950							
			2B	Y	DC	850	DG		950					
			N	DD	850	DH	950							
			HB5	Y	DA	1000								
			N	DB	1000									
			2B	Y	DC	1000								
			N	DD	1000									
			HB5	Y	DA	350	DE		350	DI	400			
			N	DB	350	DF	350		DJ	400				
			2B	Y	DC	350	DG		350	DK	400			
			N	DD	350	DH	350		DL	400				

**Reminder: The Joystick control is not included in the UltraMount® FloStat® hydraulics box.
Please choose between the Joystick Control #56369 or the CabCommand #56462**

FORD

FOUR WHEEL DRIVE Vehicle Options

Plow Options (O) and Ballast Required (B)

MODEL/ CHASSIS	MODEL YEAR	BODY STYLE	OTHER	ENGINE(S)	MIN FGAWR	HEAD LAMP	DRL ?	PLOW MODEL	Plow Options (O) and Ballast Required (B)					
									8.0'		8.5'		9.0'	
									O	B	O	B	O	B
F-350 Super Duty Pick-up 4x4 May require bumper notching (Vehicles with cab lights also require kit # 61185) (1999-2003 See note on Spring Code and tire pressure on pg. 18) (cont.)	1999 (cont.)	X-Cab (cont.)	8' Styleside (158" WB) Dual rear wheels Snowplow prep. package recommended (cont.)	5.4L V8 (cont.)	4800	HB5	Y	3219 UTPP	DA	400	DE	500	DI	650
							N		DB	400	DF	500	DJ	650
							Y		DC	400	DG	500	DK	650
						N	DD		400	DH	500	DL	650	
						Y	DA		350	DE	350	DI	400	
						N	DB		350	DF	350	DJ	400	
					Y	DC	350		DG	350	DK	400		
					N	DD	350		DH	350	DL	400		
					Y	DA	850		DE	950				
					N	DB	850		DF	950				
					Y	DC	850		DG	950				
					N	DD	850		DH	950				
				Y	DA	1000								
				N	DB	1000								
				Y	DC	1000								
				N	DD	1000								
				Y	DA	500	DE		550	DI	550			
				N	DB	500	DF		550	DJ	550			
				Y	DC	500	DG		550	DK	550			
				N	DD	500	DH		550	DL	550			
				Y	DA	550	DE		550	DI	600			
				N	DB	550	DF		550	DJ	600			
				Y	DC	550	DG		550	DK	600			
				N	DD	550	DH		550	DL	600			
		Y	DA	400	DE	400	DI	400						
		N	DB	400	DF	400	DJ	400						
		Y	DC	400	DG	400	DK	400						
		N	DD	400	DH	400	DL	400						
		Y	DA	400	DE	400	DI	400						
		N	DB	350	DF	400	DJ	400						
		Y	DC	350	DG	400	DK	400						
		N	DD	350	DH	400	DL	400						
		Y	DA	500	DE	500	DI	500						
		N	DB	500	DF	500	DJ	500						
		Y	DC	500	DG	500	DK	500						
		N	DD	500	DH	500	DL	500						
		Y	DA	500	DE	550	DI	550						
		N	DB	500	DF	550	DJ	550						
		Y	DC	500	DG	550	DK	550						
		N	DD	500	DH	550	DL	550						
		Y	DA	350	DE	350	DI	350						
		N	DB	350	DF	350	DJ	350						
		Y	DC	350	DG	350	DK	350						
		N	DD	350	DH	350	DL	350						

**Reminder: The Joystick control is not included in the UltraMount® FloStat® hydraulics box.
Please choose between the Joystick Control #56369 or the CabCommand #56462**

FORD

FOUR WHEEL DRIVE Vehicle Options								Plow Options (O) and Ballast Required (B)						
MODEL/ CHASSIS	MODEL YEAR	BODY STYLE	OTHER	ENGINE(S)	MIN FGAWR	HEAD LAMP	DRL ?	PLOW MODEL	8.0'		8.5'		9.0'	
									O	B	O	B	O	B
F-350 Super Duty Pick-up 4x4 May require bumper notching (Vehicles with cab lights also require kit # 61185) (1999-2003 See note on Spring Code and tire pressure on pg. 18) (cont.)	1999 (cont.)	Crew Cab (cont.)	8' Styleside (172" WB) Dual rear wheels Snowplow prep. package recommended (cont.)	6.8L V10	5200	HB5	Y	3219 UTPP	DA	300	DE	350	DI	350
							N		DB	300	DF	350	DJ	350
							Y		DC	300	DG	350	DK	350
							N		DD	300	DH	350	DL	350
	1992-1997	Reg Cab	Single rear wheels Snowplow prep. package recommended	5.8L V8	5000	HB5	Y	1299 UTPP	DA	400	DC	450	DE	450
							N		DB	400	DD	400	DF	400
							Y		DA	400	DC	450	DE	450
							N		DB	400	DD	400	DF	400
							Y		DA	500	DC	500	DE	500
							N		DB	450	DD	450	DF	500
				7.5L V8	5000	HB5	Y		DA	500	DC	500	DE	500
							N		DB	450	DD	450	DF	500
							Y		DA	500	DC	500	DE	500
							N		DB	450	DD	450	DF	500
							Y		DA	550	DC	600	DE	600
							N		DB	550	DD	550	DF	550
	1980-1991	Reg Cab	8' Box Snowplow prep. package recommended	5.8L V8	5000	HB-1	Y	1349 UTPP	DA	600	DD	600	DG	650
							N		DB	600	DE	600	DH	600
							N		DC	600	DF	600	DI	600
							Y		DA	600	DD	600	DG	650
							N		DB	600	DE	600	DH	600
				4600	HB-1	Y	DC		600	DF	600	DI	600	
						N	DA		600	DD	600	DG	650	
						N	DB		600	DE	600	DH	600	
N						DC	600		DF	600	DI	600		
Y						DA	700		DD	750	DG	750		
7.5L V8		5000	HB-1	Y	DB	700	DE		750	DH	750			
				N	DC	700	DF		750	DI	750			
				N	DA	700	DD		750	DG	750			
				Y	DB	700	DE		750	DH	750			
				N	DC	700	DF		750	DI	750			
4600		HB-1	Y	DA	700	DD	750		DG	750				
			N	DB	700	DE	750		DH	750				
			N	DC	700	DF	750		DI	750				
			Y	DA	800	DD	850		DG	850				
			N	DB	800	DE	850		DH	850				
7.3L Diesel	5000	HB-1	Y	DC	800	DF	850	DI	850					
			N	DA	800	DD	850	DG	850					
			N	DB	800	DE	850	DH	850					
			Y	DC	800	DF	850	DI	850					
			N	DA	500	DD	550	DG	550					
			Crew Cab	8' Box Snowplow prep. package recommended	5.8L V8	5000	HB-1	Y	DB	500	DE	550	DH	550
								N	DC	500	DF	550	DI	550
								N	DA	500	DD	600	DG	700
								Y	DB	500	DE	600	DH	700
								N	DC	500	DF	600	DI	700
4600	HB-1	Y			DA	500	DD	600	DG	700				
		N			DB	500	DE	600	DH	700				
		N			DC	500	DF	600	DI	700				
		Y			DA	600	DD	600	DG	600				
		N			DB	600	DE	600	DH	600				
7.5L V8	5000	HB-1	Y	DC	600	DF	600	DI	600					
			N	DA	600	DD	600	DG	600					
			N	DB	600	DE	600	DH	600					
			Y	DC	600	DF	600	DI	600					
			N	DA	600	DD	600	DG	600					

**Reminder: The Joystick control is not included in the UltraMount® FloStat® hydraulics box.
Please choose between the Joystick Control #56369 or the CabCommand #56462**

FORD

FOUR WHEEL DRIVE Vehicle Options

Plow Options (O) and Ballast Required (B)

MODEL/ CHASSIS	MODEL YEAR	BODY STYLE	OTHER	ENGINE(S)	MIN FGAWR	HEAD LAMP	DRL ?	PLOW MODEL	Plow Options (O) and Ballast Required (B)					
									8.0'		8.5'		9.0'	
									O	B	O	B	O	B
F-350 Super Duty Chassis Cab 4x4 (Vehicles with cab lights also require kit # 61185) (1999-2003 See note on Spring Code and tire pressure on pg. 18)	2001	All	Single rear wheels Snowplow prep. package recommended	All	All	HB5	Y	3219 UTPP	DA	?	DE	?	DI	?
							N		DB	?	DF	?	DJ	?
							Y		DC	?	DG	?	DK	?
							N		DD	?	DH	?	DL	?
							Y		DA	?	DE	?	DI	?
							N		DB	?	DF	?	DJ	?
	2000	All	Single rear wheels Snowplow prep. package recommended	All	All	HB5	Y	DA	?	DE	?	DI	?	
							N	DB	?	DF	?	DJ	?	
							Y	DC	?	DG	?	DK	?	
							N	DD	?	DH	?	DL	?	
							Y	DA	?	DE	?	DI	?	
							N	DB	?	DF	?	DJ	?	
	1999	Reg Cab	Single rear wheels Snowplow prep. package recommended	All	All	HB5	Y	DA	?	DE	?	DI	?	
							N	DB	?	DF	?	DJ	?	
							Y	DC	?	DG	?	DK	?	
							N	DD	?	DH	?	DL	?	
							Y	DA	?	DE	?	DI	?	
							N	DB	?	DF	?	DJ	?	
	1999	X-Cab	Single rear wheels Snowplow prep. package recommended	All	All	HB5	Y	DA	?	DE	?	DI	?	
							N	DB	?	DF	?	DJ	?	
							Y	DC	?	DG	?	DK	?	
							N	DD	?	DH	?	DL	?	
							Y	DA	?	DE	?	DI	?	
							N	DB	?	DF	?	DJ	?	
1999	Crew	Single rear wheels Snowplow prep. package recommended	All	All	HB5	Y	DA	?	DE	?	DI	?		
						N	DB	?	DF	?	DJ	?		
						Y	DC	?	DG	?	DK	?		
						N	DD	?	DH	?	DL	?		
						Y	DA	?	DE	?	DI	?		
						N	DB	?	DF	?	DJ	?		
1992-1997	All	Min. 8,500 GVWR Single rear wheels	All	All	HB-5	Y	1299	DA	?	DC	?	DE	?	
						N	UTPP	DB	?	DD	?	DF	?	
						Y	DA	?	DC	?	DE	?		
						N	DB	?	DD	?	DF	?		
1980-1991	All	Single rear wheels Min. 8,500 GVWR	All	All	HB-1	Y	1349 UTPP	DA	?	DD	?	DG	?	
						N		DB	?	DE	?	DH	?	
						Y		DC	?	DF	?	DI	?	
						N		DA	?	DD	?	DG	?	
		Dual rear wheels Min. 8,500 GVWR	All	All	HB-1	Y		DB	?	DE	?	DH	?	
						N		DC	?	DF	?	DI	?	
						Y		DA	?	DD	?	DG	?	
						N		DB	?	DE	?	DH	?	
2B	All	All	HB-1	Y	DC	?	DF	?	DI	?				
				N	DA	?	DD	?	DG	?				

**Reminder: The Joystick control is not included in the UltraMount® FloStat® hydraulics box.
Please choose between the Joystick Control #56369 or the CabCommand #56462**

FORD

FOUR WHEEL DRIVE Vehicle Options								Plow Options (O) and Ballast Required (B)						
MODEL/ CHASSIS	MODEL YEAR	BODY STYLE	OTHER	ENGINE(S)	MIN FGAWR	HEAD LAMP	DRL ?	PLOW MODEL	8.0'		8.5'		9.0'	
									O	B	O	B	O	B
F-450 Super Duty Chassis Cab 4x4 (Vehicles with cab lights also require kit # 61185)	2001	All	Dual rear wheels Snowplow prep. package recommended	All	All	HB5	Y	3219 UTPP	DA	?	DE	?	DI	?
							N		DB	?	DF	?	DJ	?
							Y		DC	?	DG	?	DK	?
						N	DD		?	DH	?	DL	?	
						Y	DA		?	DE	?	DI	?	
						N	DB		?	DF	?	DJ	?	
	2000	All	Dual rear wheels Snowplow prep. package recommended	All	All	HB5	Y		DA	?	DE	?	DI	?
							N		DB	?	DF	?	DJ	?
							Y		DC	?	DG	?	DK	?
						N	DD		?	DH	?	DL	?	
						Y	DA		?	DE	?	DI	?	
						N	DB		?	DF	?	DJ	?	
1999	All	Dual rear wheels Snowplow prep. package recommended	All	All	HB5	Y	DA	?	DE	?	DI	?		
						N	DB	?	DF	?	DJ	?		
						Y	DC	?	DG	?	DK	?		
					N	DD	?	DH	?	DL	?			
					Y	DA	?	DE	?	DI	?			
					N	DB	?	DF	?	DJ	?			

**Reminder: The Joystick control is not included in the UltraMount® FloStat® hydraulics box.
Please choose between the Joystick Control #56369 or the CabCommand #56462**

FORD TWO WHEEL DRIVE

TWO WHEEL DRIVE Vehicle Options								Plow Options (O) and Ballast Required (B)						
MODEL/ CHASSIS	MODEL YEAR	BODY STYLE	OTHER	ENGINE(S)	MIN FGAWR	HEAD LAMP	DRL ?	PLOW MODEL	8.0'		8.5'		9.0'	
									O	B	O	B	O	B
F450 Super Duty Chassis Cab 2WD (Vehicles with cab lights also require kit # 61185)	All	All	Dual rear wheels Snowplow prep. package recommended Min. 10,000 GVWR	All	5600	HB5	Y	3219 UTPP	DA	?	DE	?	DI	?
							N		DB	?	DF	?	DJ	?
							Y		DC	?	DG	?	DK	?
						N	DD		?	DH	?	DL	?	
						Y	DA		?	DE	?	DI	?	
						N	DB		?	DF	?	DJ	?	
F550 Super Duty Chassis Cab 2WD (Vehicles with cab lights also require kit # 61185)	All	All	Dual rear wheels Snowplow prep. package recommended Min. 10,000 GVWR	All	5600	HB5	Y	3219 UTPP	DA	?	DE	?	DI	?
							N		DB	?	DF	?	DJ	?
							Y		DC	?	DG	?	DK	?
						N	DD		?	DH	?	DL	?	
						Y	DA		?	DE	?	DI	?	
						N	DB		?	DF	?	DJ	?	

**Reminder: The Joystick control is not included in the UltraMount® FloStat® hydraulics box.
Please choose between the Joystick Control #56369 or the CabCommand #56462**

FORD

Remember:

COMPLETE PLOW			COMPONENT NUMBERS							Control Choice
MODEL	OPTION	BLADE SIZE	MOUNT ASSEMBLY	BLADE ASSEMBLY	ATTACHMENT ASSEMBLY	HYDRAULIC ASSEMBLY	LAMP KIT	HARNESS KIT	DRL KIT	
1229 PRO PLUS™ Plow	DA	UTPP 8.0	67810	66980	66900	63999	61540-1	63420	61584	Choose either: #56369 Joystick Or #56462 CabCommand
	DB	UTPP 8.0	67810	66980	66900	63999	61540-1	63420	-----	
	DC	UTPP 8.5	67810	66974	66900	63999	61540-1	63420	61584	
	DD	UTPP 8.5	67810	66974	66900	63999	61540-1	63420	-----	
	DE	UTPP 9.0	67810	66901	66900	63999	61540-1	63420	61584	
	DF	UTPP 9.0	67810	66901	66900	63999	61540-1	63420	-----	
1299 PRO PLUS™ Plow	DA	UTPP 8.0	67830	66980	66900	63999	61540-1	63420	61584	
	DB	UTPP 8.0	67830	66980	66900	63999	61540-1	63420	-----	
	DC	UTPP 8.5	67830	66974	66900	63999	61540-1	63420	61584	
	DD	UTPP 8.5	67830	66974	66900	63999	61540-1	63420	-----	
	DE	UTPP 9.0	67830	66901	66900	63999	61540-1	63420	61584	
	DF	UTPP 9.0	67830	66901	66900	63999	61540-1	63420	-----	
1349 PRO PLUS™ Plow	AA	UTPP 8.0	63710	66980	66900	63999	61540-1	63420	61584	
	AB	UTPP 8.0	63710	66980	66900	63999	61540-1	63420	-----	
	AC	UTPP 8.0	63710	66980	66900	63999	61540-1	63420	-----	
	AD	UTPP 8.5	63710	66974	66900	63999	61540-1	63420	61584	
	AE	UTPP 8.5	63710	66974	66900	63999	61540-1	63420	-----	
	AF	UTPP 8.5	63710	66974	66900	63999	61540-1	63420	-----	
	AG	UTPP 9.0	63710	66901	66900	63999	61540-1	63420	61584	
	AH	UTPP 9.0	63710	66901	66900	63999	61540-1	63420	-----	
	AI	UTPP 9.0	63710	66901	66900	63999	61540-1	63420	-----	
3219 PRO PLUS™ Plow	DA	UTPP 8.0	67982	66980	66900	63999	61540-1	63420	61584	
	DB	UTPP 8.0	67982	66980	66900	63999	61540-1	63420	-----	
	DC	UTPP 8.0	67982	66980	66900	63999	61540-1	63422	61584	
	DD	UTPP 8.0	67982	66980	66900	63999	61540-1	63422	-----	
	DE	UTPP 8.5	67982	66974	66900	63999	61540-1	63420	61584	
	DF	UTPP 8.5	67982	66974	66900	63999	61540-1	63420	-----	
	DG	UTPP 8.5	67982	66974	66900	63999	61540-1	63422	61584	
	DH	UTPP 8.5	67982	66974	66900	63999	61540-1	63422	-----	
	DI	UTPP 9.0	67982	66901	66900	63999	61540-1	63420	61584	
	DJ	UTPP 9.0	67982	66901	66900	63999	61540-1	63420	-----	
	DK	UTPP 9.0	67982	66901	66900	63999	61540-1	63422	61584	
	DL	UTPP 9.0	67982	66901	66900	63999	61540-1	63422	-----	

WEIGHT AND DIMENSIONAL CHART

PLOWS		ACCESSORIES EFFECTIVE ADDED WEIGHT (lbs.)				VARIABLES
SIZE	WEIGHT (lbs.)	POLY DEFLECTOR		RUBBER DEFLECTOR		Z
		PART #	WEIGHT	PART #	WEIGHT	(in.)
8.0' UTPP	780.8	63670	13.3	62530	33.2	25.6
8.5' UTPP	797.9	63670	14.2	62220	35.5	25.8
9.0' UTPP	818.4	63670	15.0	62220	37.1	26.1

#	MOUNT WEIGHT	X	Y	VEHICLE USE	YEAR
1519	87.0	26.7	8.6	Chevy/GMC Light Truck 4x4 & 4x2(over 10,000 GVWR)	1973 - 1987
1589	40.0	31.0	7.0	Chevy/GMC K2500, 3500	1988 - 1999
3529	39.1	28.8	7.0	Chevy/GMC Light Truck 2500, 3500, 3600(3500 Straight Frame)	1999 - Later
989	51.5	34.0	7.0	Dodge Ram W2500 & W3500	1994 - Later
1299	84.5	32.0	7.0	Ford F250, F350	1992 - 1998
1229	37.9	28.8	7.0	Ford F250 LD	1997 - Later
1349	87.0	25.4	6.0	Ford Bronco, F150 4x4, F250/350, SuperDuty	1980 - 1991
3219	85.0	32.0	7.0	Ford F250/350 SuperDuty, 450/550 Chassis Cab	1999 - Later

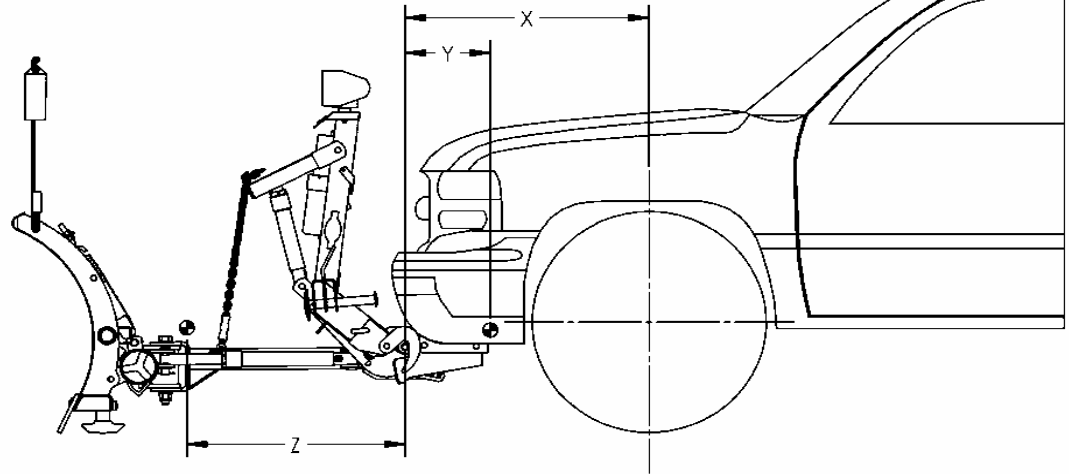
DIMENSIONAL DIAGRAM

VARIABLES:

X=Distance from \mathcal{C} of front axle to receiver pin

Y=Distance from receiver pin to CG of the mount

Z=Distance from the receiver pin to the CG of the plow.



Example: Weight that one would use if they had a 8.0' UTPP with the poly deflector.

The weight of the plow alone with no accessories would be 780.8 lbs. with its center of gravity 25.6 in. from the coupling point. To add the weight of the accessories, look in the row with the blade 8.0' UTPP to find the effective poly deflector weight of 13.3 lbs.

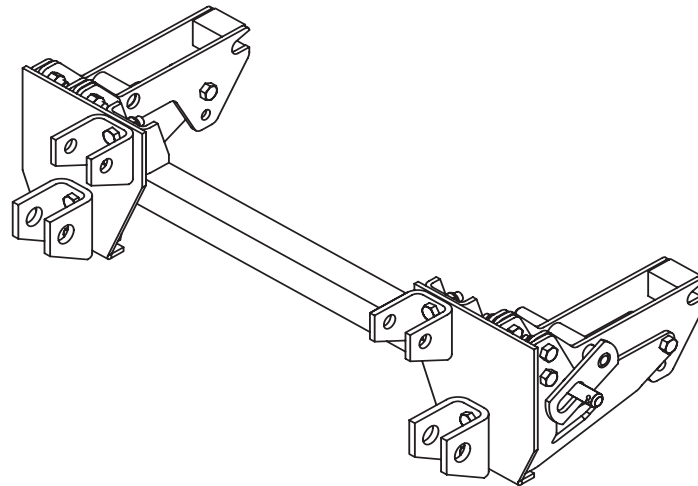
The total weight of the blade and accessories will be:

$$\begin{array}{r} 780.8 \\ \underline{13.3} \\ 794.1 \end{array} \text{ with its center of gravity still at 25.6 in. from the coupling point}$$

ALWAYS comply with the vehicle manufacturer's stated gross vehicle and axle weight ratings (found on the driver side door jamb of the vehicle) and front and rear weight distribution ratio with the snowplow installed. In some cases, rear ballast may be required to achieve these requirements.

Available vehicle capacities for after-market equipment and components can be determined by using the above information along with information provided by the vehicle manufacturers Body Builder Guides. Follow all requirements and recommendations as stated by vehicle manufacturer.

UltraMount® to UniMount® Conversion Kit



This easy to use UltraMount® to UniMount® conversion kit enables you to attach a UniMount® plow to a vehicle equipped with an UltraMount® mount.

Simply remove the receivers from your UltraMount System mount, and pin the conversion plate in place. This accessory is perfect for customers with multiple snowplows, providing their fleet with versatility while changing to the UltraMount System.

This new kit is also ideal for transferring an old UniMount plow to a new truck. As new trucks are released, we will develop only new UltraMounts for these plow applications. This will allow the customer to transfer an existing UniMount plow to the late model vehicle. In addition, when customers are ready to replace their old UniMount plow, the truck will already have the mount and wiring for an UltraMount plow.

To qualify the vehicle and determine ballast, you must fill out the **VEHICLE AND PLOW APPLICATION INQUIRY SHEET**

⚠ WARNING

**CONVERSION KIT USE IS LIMITED TO
VEHICLES UNDER 10,000 LBS. GVWR**

⚠ WARNING

**Do not exceed GVWR or GAWR, including
blade and ballst. The rating label is found
on the driver-side, vehicle door cornerpost.**

**Note: When ballast is required it should be
secured behind the rear wheels in a manner
which prevents it from sliding during normal
driving. Western Products offers an
optional ballast retainer kit (62849) for this
purpose.**

BALLAST INQUIRY SHEET ON FOLLOWING PAGE

The following sheet is to be used for:

4WD (Four Wheel Drive) Chassis Cabs with a GVWR of 8,500 lb. or higher

2WD (Two Wheel Drive) Chassis Cabs with a GVWR of 10,000 lb. or higher

Any vehicles that did not have enough information at the time of this publication.

Exceptions are those vehicles that are listed as Chassis Cab in Selection List that are other than above.

This form is to be filled out when assistance is necessary to determine the appropriate ballast/plow combinations for the vehicle in question.

This form must be completed in its entirety.

Any forms containing incomplete information will not be considered.

VEHICLE MUST BE WEIGHED COMPLETE AND EMPTY (NO OCCUPANTS, PLOW and/or PLOW MOUNT)

Please return a completed copy of the opposite side via fax (414) 354-6664.

VEHICLE AND PLOW APPLICATION INQUIRY SHEET



Western Products
 7777 North 73RD Street
 Milwaukee, WI 53223

Telephone (414) 354-2310
 Fax (414) 354-6664

DISTRIBUTOR		TEL	
		FAX	
CUSTOMER		DATE BUILT	
VIN			
SELECT MOUNT TYPE	<input type="checkbox"/> UniMount [®]	<input type="checkbox"/> UltraMount [®]	<input type="checkbox"/> Conversion Kit

VEHICLE INFORMATION

YEAR	
MAKE	
MODEL	
DRIVE TRAIN	<input type="checkbox"/> 2WD <input type="checkbox"/> 4WD <input type="checkbox"/> ALL WHEEL <input type="checkbox"/> OTHER
DRW (Dual Rear Wheels)	<input type="checkbox"/> YES <input type="checkbox"/> NO
BODY STYLE	<input type="checkbox"/> REG CAB <input type="checkbox"/> X-CAB <input type="checkbox"/> OTHER
BOX OPTION (S)	<input type="checkbox"/> DUMP BOX <input type="checkbox"/> STAKE BED <input type="checkbox"/> OTHER
ENGINE TYPE	
GFAWR	
GRAWR	
GVWR	

HORIZONTAL DISTANCE DESCRIPTION

L31	DRIVERS hip point; in MIDDLE position, to Centerline of FRONT axle	(in.)
L101	Between axles (Wheelbase)	(in.)
L104	Middle of FRONT bumper to centerline of FRONT axle	(in.)
	Middle of ballast location to centerline of REAR axle	(in.)

VEHICLE WEIGHT (TRUCK MUST BE WEIGHED COMPLETE AND EMPTY () PLOW & MOUNT)

FRONT (lb)		REAR (lb)	
------------	--	-----------	--

FUEL TANKS (ONLY NEEDED IF WEIGHED VEHICLE NOT FULLY FUELED)

	LEVEL (see below)	CAPACITY (gal)	LOCATION FROM AXLE TO CENTER OF TANK(in.)
FRONT OF AXLE			
REAR OF AXLE			

FUEL LEVEL (EMPTY = 0, HALF = 1/2, FULL = 1)

THIS FORM MUST BE COMPLETED IN ITS ENTIRETY. ANY FORMS CONTAINING INCOMPLETE INFORMATION WILL NOT BE CONSIDERED. PLEASE RETURN VIA FAX (414) 354-6664.

This form is for use with: 4WD (Four Wheel Drive) Chassis Cabs w/ minimum of 8,500 lb GVWR or 2WD (Two Wheel Drive) Chassis Cabs w/ minimum of 10,000 lb GVWR.

WESTERN PRODUCTS and the vehicle manufacturer may require or recommend optional equipment for snow removal. See the WESTERN PRODUCTS Selection List for additional product information.

