



**2003**



**SELECTION LIST**

----- **REVISION 0** -----

Form #64137-111502

WESTERN PRODUCTS • P.O. BOX 245038 • MILWAUKEE, WISCONSIN 53224-9538

 A Division of Douglas Dynamics, L.L.C.

Printed in the U.S.A.

The following are registered and/or unregistered trademarks of Douglas Dynamics, L.L.C.: WESTERN®, UniMount®, UltraMount®, FloStat®.

Western Products reserves the right under its product improvement policy to change construction or design details and furnish equipment when so altered without reference to illustrations or specifications used herein. Western Products and the vehicle manufacturer may require and/or recommend optional equipment for snow removal.



# CONTENTS



ABOUT THE SELECTION LIST .....	iii
VEHICLE LAMP IDENTIFICATION GUIDE .....	iv
DEFINITIONS .....	v
HOW TO USE THE SELECTION LIST .....	vi
INSTRUCTIONS FOR VEHICLES WITH DIFFERENT FGAWR's .....	vii
<b>1 CHEVY / GMC .....</b>	<b>1</b>
<b>2 DODGE .....</b>	<b>5</b>
<b>3 FORD (SPRING CHART).....</b>	<b>7</b>
<b>FORD .....</b>	<b>8</b>
WEIGHT AND DIMENSIONAL CHART .....	15
DIMENSIONAL DIAGRAM .....	16
UltraMount <sup>®</sup> to UniMount <sup>®</sup> Conversion Kit.....	18
BALLAST INQUIRY SHEET .....	19



# 2003 SELECTION LIST

Western Products' published vehicle recommendations are based on the following:

- Compliance with the vehicle manufacturer's stated gross vehicle and axle weight ratings (found on the driver side door jam of the vehicle) and front and rear weight distribution ratio with the snowplow installed and raised in travel position. In some cases, rear ballast may be required to achieve these requirements.
- Available capacity for the snowplow equipment is based on a representative vehicle as configured by the original vehicle manufacturer. The representative vehicle includes spare wheel and tire, automatic transmission, rear bumper, air conditioning, and full fluids. Available capacity decreases as the vehicle is loaded with cargo or by the installation of other truck equipment or accessories. If there is uncertainty as to whether available capacity exists, the actual vehicle as configured must be weighed. For more information, see the weight and dimensional chart located at the end of the Selection List.
- Installation, modifications and addition of accessories must comply with published Western Products recommendations and instructions.
- Compliance with applicable FMVSS (Federal Motor Vehicle Safety Standards) must be met.
- In some cases, there may be additional limitations and requirements such as special vehicle options and specifications, or air bags/lift kits.

You will see more specific requirements listed as you use the Selection List to identify plow vehicles including: body style, engine size, ballast requirements, and minimum front gross axle weight ratings (FGAWR).

---

Discuss the following topics with each of your plowing customers and prospective plow purchasers.

## BALLAST

Ballast is an important part of qualifying vehicles for plow eligibility. Rear ballast must be used when recommended to remain in compliance with axle ratings and ratios as specified by the vehicle manufacturer. If ballast is required, it is important that it be secured properly behind the rear axle. A ballast retainer kit is available from Western Products, part #62849.

## PLOWING RECOMMENDATIONS

It is also important to remember that in all plowing applications, Western Products recommends only the driver in the vehicle.

Although plowing conditions can vary widely, as a general guideline Western Products recommends the maximum plowing speed of 10 mph and the maximum recommended transport speed of 45 mph.

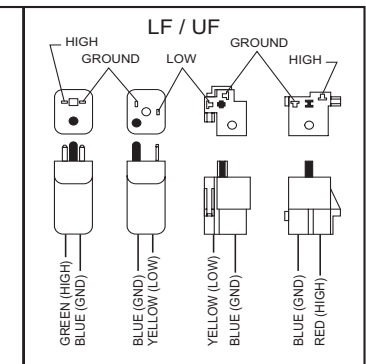
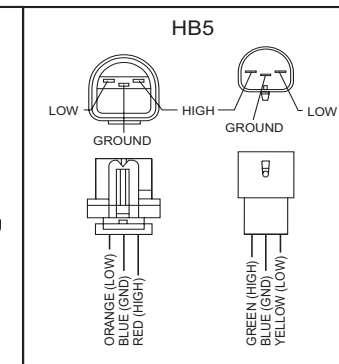
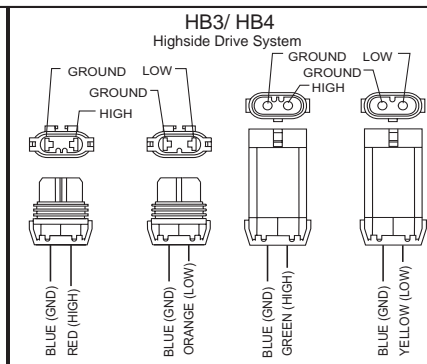
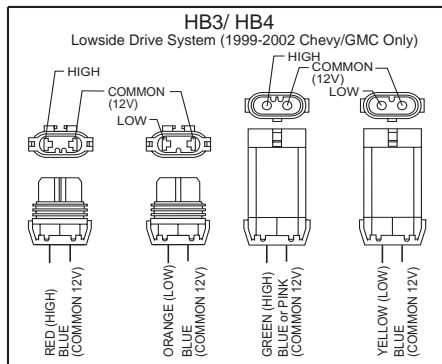
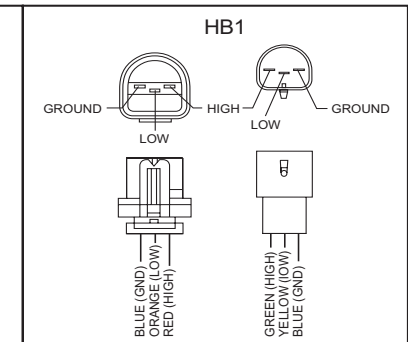
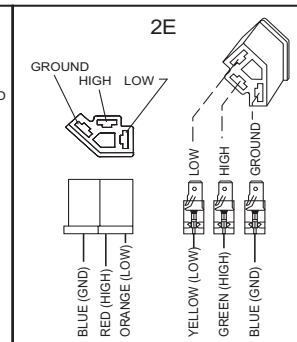
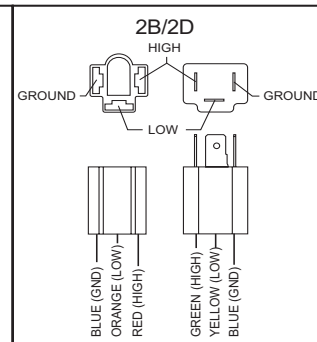
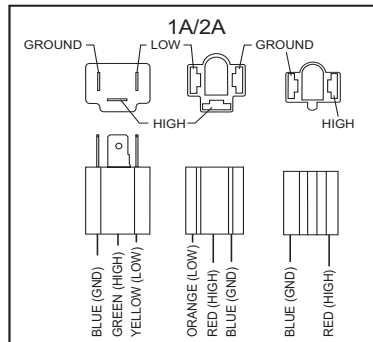
# VEHICLE LAMP IDENTIFICATION GUIDE

**NOTE: The lamp type is usually embossed in the headlamp lens.**

**NOTE: Blue ground wires may be LT or DK BLUE, w/ or w/o WHT stripe, depending on harness.**

Headlamp Type	Bulb Type
LF	H4703
UF	H4701
1A1	H4651
2A1	H4652(Chevy/GMC)
2B1	H6054
2D1	H6024
2E1	H6545
HB1	9004
HB3	9005
HB4	9006
HB5	9007

LAMP TYPE	LAMP SIZE	CONFIGURATION	DESCRIPTION
1A / 2A	4" x 6.5"		Quad Rectangular Lamp
2B	5.5" x 7.88"		Dual Rectangular Lamp
2D	7" DIA.		Dual Round Lamp
2E	4" x 6.5"		Dual Rectangular (Small Halogen Lamp)
HB1	Can Vary		Dual Rectangular Halogen Lamp
HB3 / HB4	Can Vary		Quad Composite Halogen Lamp
HB5	Can Vary		Dual Rectangular Halogen Lamp
LF / UF	3.64" x 5.93"		Quad Rectangular Halogen Lamp



BLADE ABBREVIATIONS		
PLOW TYPE	BLADE TYPES AVAILABLE	BLADE SIZES AVAILABLE
UT - UltraMount® plow	S - Standard	6.5 - 6-1/2'
	SY - Standard Poly	7.0 - 7'
	P - Pro-Plow™	7.5 - 7-1/2'
	PY - Poly Pro-Plow™	8.0 - 8'
	MVP® - MultiPosition V-plow	8.5 - 8-1/2'
		9.0 - 9'
	9.5 - 9-1/2'	

ASSEMBLIES	DEFINITION
BLADE ASSEMBLY	UniMount® / UltraMount® blade (except MVP® blade)
	UltraMount® MVP® blade
ATTACHMENT ASSEMBLY	UltraMount® A-frame, quadrant & lift frame (except MVP® blade)
	UltraMount® MVP® T-frame

ABBREVIATION	DESCRIPTION
2WD	Two wheel drive
4x4	Four wheel drive
A,Q&L	A-frame, quadrant & lift frame
B	Ballast required
DRL	Daytime running lights
DRW	Dual rear wheels
FGAWR	Front gross axle weight rating
GVWR	Gross vehicle weight rating
HYD	Hydraulic
L	Lift frame
MIN	Minimum
MVP®	MultiPosition V-plow
N	No
O	Plow option
P	Pro-Plow™
PKG	Package
PY	Poly Pro-Plow™
REQ	Required
S	Standard
SUSP	Suspension
SY	Standard Poly
U	UniMount® Plow
UT	UltraMount® Plow
UTP	UltraMount® Pro-Plow™
UTPY	UltraMount® Poly Pro-Plow™
UTS	UltraMount® Standard
UTSY	UltraMount® Standard Poly
W	With
W/O	Without
X-CAB	Extended cab vehicle
Y	Yes

# HOW TO USE THE SNOWPLOW SELECTION LIST

**Determining plow options:**

- 1.) Locate vehicle by make, 4 wheel (4x4) or 2 wheel (2WD) drive, model, and body style (columns 1 and 2)
- 2.) Column 3 labeled "OTHER" will list other requirements or modifications if needed for plow compatibility.
- 3.) Verify that vehicle meets any engine and FGAWR (front gross axle weight rating) (columns 4 and 5).  
FGAWR can be found on the driver side door jam.
- 4.) Identify vehicle headlamp type and whether or not it is DRL (Daytime Running Lights) equipped (columns 6 and 7)  
By answering the DRL question, you have now narrowed your choices down to one row.
- 5.) Reading across, you will first see the plow model number and type letter code (column 8) UT - ULTRAMOUNT® PLOW followed by the recommended plow options and ballast requirements available for that vehicle (columns 9 through 28).
- 6.) Once you have determined which plow option you want, use the letters in the appropriate box along with the plow model number (in this example 3529) and turn to the component list found at the end of each manufacturer's section to find the individual component numbers that make up that plow. You may order two ways:
  - A) By complete plow using the complete plow code. (example: ordering a 3529AA will fill the order for a 67981-2, 60018, 63560, 56588, 64078, 64077, and NO additional DRL kit)
  - B) By *individual component* using the corresponding part numbers. (example: ordering just the 62110, you are ordering the 7.5' Standard Poly blade.)
  - C) Remember to choose which control to order.
- 7) Vehicle information that is highlighted in BLACK indicates a change since the last revision of selection list.
- 8) Vehicles with a ? In the ballast columns indicate that there is a mount available for that vehicle but one must weigh completed vehicle to determine plow size and ballast. See "Weight and Dimensional Chart" at end of selection list along with Body Builders Guides for necessary vehicle information.

Col. 1	Col. 2	Col. 3	Col. 4	Col. 5	Col. 6	Col. 7	Col. 8	Columns 9-28																						
<b>CHEVY/GMC</b>																														
<b>FOUR WHEEL DRIVE Vehicle Options</b>							<b>Plow Options (O) and Ballast Required (B)</b>																							
<b>MODEL/ CHASSIS</b>	<b>BODY STYLE</b>	<b>OTHER</b>	<b>ENGINE(S)</b>	<b>MIN FGAWR</b>	<b>HEAD LAMP</b>	<b>DRL ?</b>	<b>PLOW MODEL</b>	<b>S 7.5</b>		<b>SY 7.5</b>		<b>P 7.5</b>		<b>PY 7.5</b>		<b>P 8.0</b>		<b>PY 8.0</b>		<b>P 8.5</b>		<b>P 9.0</b>		<b>MVP 8.5</b>		<b>MVP 9.5</b>				
								<b>O</b>	<b>B</b>	<b>O</b>	<b>B</b>	<b>O</b>	<b>B</b>	<b>O</b>	<b>B</b>	<b>O</b>	<b>B</b>	<b>O</b>	<b>B</b>	<b>O</b>	<b>B</b>	<b>O</b>	<b>B</b>	<b>O</b>	<b>B</b>	<b>O</b>	<b>B</b>			
SILVERADO/SIERRA K2500 HD Pick-up 4x4	Reg Cab	8.0' Box Z85 or Snowplow prep. package recommended	6.0L V8	4800	HB3/HB4	Y	3529 UT	AA	300	AB	300	AC	350	AD	400	AE	350	AF	400	AG	350	AH	400	AI	550	AJ	600			
				4500	HB3/HB4	Y		AA	300	AB	300	AC	350	AD	400	AE	350	AF	400	AG	350	AH	400	AI	550	AJ	700			
			8.1L V8	4800	HB3/HB4	Y		AA	350	AB	400	AC	450	AD	500	AE	450	AF	500	AG	450	AH	500	AI	750					
				4500	HB3/HB4	Y		AA	350	AB	500	AC	650	AD	900	AE	750	AF	900	AG	850	AH	950							
			6.6L Diesel	4800	HB3/HB4	Y		AA	450	AB	500	AC	500	AD	550	AE	550	AF	550	AG	550	AH	550							
				4500	HB3/HB4	Y		AA	950																					

<b>CHEVY/GMC</b>											<b>Remember:</b>
<b>COMPLETE PLOW</b>			<b>COMPONENT NUMBERS</b>								<b>Control Choice</b>
<b>MODEL</b>	<b>OPTION</b>	<b>BLADE SIZE</b>	<b>MOUNT ASSEMBLY</b>	<b>BLADE ASSEMBLY</b>	<b>ATTACHMENT ASSEMBLY</b>	<b>HYDRAULIC ASSEMBLY</b>	<b>LAMP KIT</b>	<b>HARNESS KIT</b>	<b>DRL KIT</b>		
3529 UltraMount® Plow	AA	UTS 7.5	67981-2	60018	63560	56588	64078	64077	---	Choose either: #56369 Joystick Or #56462 CabCommand	
	AB	UTSY 7.5	67981-2	62110	63560	56588	64078	64077	---		
	AC	UTP 7.5	67981-2	60381	66880	56588	64078	64077	---		
	AD	UTPY 7.5	67981-2	62400	66880	56588	64078	64077	---		
	AE	UTP 8.0	67981-2	60390	66880	56588	64078	64077	---		
	AF	UTPY 8.0	67981-2	62450	66880	56588	64078	64077	---		
	AG	UTP 8.5	67981-2	60308	66880	56588	64078	64077	---		
	AH	UTP 9.0	67981-2	60655	66880	56588	64078	64077	---		
	AI	MVP 8.5	67981-2	63819	56810	56777	64078	64085	---		
	AJ	MVP 9.5	67981-2	63808	56810	56777	64078	64085	---		



**Instructions for Vehicles with Different Front Gross Axle Weight Ratings (FGAWR)**

1. Calculate the change in ballast required for alternate FGAWR's using the following formula:

$$\text{Additional Ballast} = (R1 - R2) \times L101 \div (L105 - 14)$$

**Key:**

**R1** = FGAWR as found in the Selection List.

**R2** = FGAWR as indicated on rating label found on the driver-side vehicle door cornerpost.

**L101** = vehicle's wheelbase

**L105** = distance from the rear axle to the tailgate's rear surface

2. When R2 is higher than R1, the ballast calculated above can be removed from the amount specified in the Selection List. When R1 is higher than R2, the ballast calculated above must be added to the amount specified in the Selection List.



**Do not exceed GVWR or GAWR, including blade and ballast. The rating label is found on the driver-side vehicle door cornerpost**

---

**NOTE: When ballast is required, it should be secured behind the rear wheels in a manner which prevents it from sliding during normal driving. Western Products offers an optional ballast retainer kit (62849) for this purpose.**

---

---

**NOTE: New UNTITLED vehicle installation of a snow plow requires National Highway Traffic Safety Administration altered vehicle certification labeling. Installer to verify that selected snow plow and ballast, if required, do not exceed GVWR or GAWR rating label.**

---

**CHEVY/GMC**

FOUR WHEEL DRIVE Vehicle Options										Plow Options (O) and Ballast Required (B)																							
MODEL/ CHASSIS	BODY STYLE	OTHER	ENGINE(S)	MIN FGAWR	HEAD LAMP	DRL ?	PLOW MODEL	S 7.5		SY 7.5		P 7.5		PY 7.5		P 8.0		PY 8.0		P 8.5		P 9.0		MVP 8.5		MVP 9.5							
								O	B	O	B	O	B	O	B	O	B	O	B	O	B	O	B	O	B	O	B	O	B	O	B		
AVALANCHE 2500 4x4 (Bumper notching required)		Z85 or Snowplow prep. package recommended	8.1L V8	4500	HB3/HB4	Y	3529 UT	AK	400	AL	600	AM	800																				
						---																											
						---																											
SUBURBAN/YUKON XL K2500 4x4	4 DOOR ONLY		6.0L V8	4180	HB3/HB4	Y	3529 UT	AK	0	AL	50	AM	250			AO	300																
SILVERADO/SIERRA K1500 Pick-up 4x4 (Bumper notching required)	Reg Cab	6.5' Box Z85 or Snowplow prep. package recommended	4.3L V6	3925	HB3/HB4	Y	3519 UT	AI	400	AJ	400	AK	450	AL	500	AM	450	AN	500														
			4.8L V8	3925	HB3/HB4	Y		AI	450	AJ	450	AK	500	AL	550	AM	500	AN	550														
			5.3L V8	3925	HB3/HB4	Y		AI	450	AJ	450	AK	500	AL	550	AM	500	AN	550														
		8.0' Box Z85 or Snowplow prep. package recommended	4.3L V6	3925	HB3/HB4	Y		AI	400	AJ	400	AK	450	AL	500	AM	450	AN	500														
			4.8L V8	3925	HB3/HB4	Y		AI	450	AJ	450	AK	500	AL	550	AM	500	AN	550														
			5.3L V8	3925	HB3/HB4	Y		AI	450	AJ	450	AK	500	AL	550	AM	500	AN	550														
	X-Cab	6.5' Box Z85 or Snowplow prep. package recommended	4.8L V8	3925	HB3/HB4	Y		AI	450	AJ	450																						
			5.3L V8	3925	HB3/HB4	Y		AI	450	AJ	450																						
		6.5' Box With 4 Wheel Steer Z85 or Snowplow prep. package recommended	5.3L V8	3925	HB3/HB4	Y		AI	300	AJ	500	AK	700																				
			---																														
			---																														
			8.0' Box Z85 or Snowplow prep. package recommended	4.8L V8	3925	HB3/HB4		Y	AI	500																							
Z85 or Snowplow prep. package recommended	5.3L V8	3925	HB3/HB4	Y	AI	500																											
	---																																
SILVERADO/SIERRA K1500HD Pick-up 4x4	Crew Cab	6.5' Box Z85 or Snowplow prep. package recommended	6.0L V8	4410	HB3/HB4	Y	3529 UT	AK	450	AL	500	AM	500	AN	550	AO	550	AP	550	AQ	550	AR	550	AS	750	AT	800						
						---																											
						---																											
6.5' Box With 4 Wheel Steer Z85 or Snowplow prep. package recommended	6.0L V8	4410	HB3/HB4	Y	AK	250	AL	300	AM	300	AN	350	AO	350	AP	350	AQ	350	AR	350	AS	500	AT	750									
	---																																
SILVERADO/SIERRA K2500 Pick-up 4x4	X-Cab	6.5' Box Z85 or Snowplow prep. package recommended Min. 8,600 lb. GVWR	6.0L V8	4500	HB3/HB4	Y	3529 UT	AK	350	AL	350	AM	400	AN	450	AO	400	AP	450	AQ	450	AR	450	AS	900								
			4410	HB3/HB4	Y	AK		350	AL	350	AM	400	AN	450	AO	400	AP	450	AQ	450	AR	450											
SILVERADO/SIERRA K2500HD Pick-up 4x4	Reg Cab	8.0' Box Z85 or Snowplow prep. package recommended	6.0L V8	4800	HB3/HB4	Y	3529 UT	AK	300	AL	300	AM	350	AN	400	AO	350	AP	400	AQ	350	AR	400	AS	550	AT	600						
			4500	HB3/HB4	Y	AK		300	AL	300	AM	350	AN	400	AO	350	AP	400	AQ	350	AR	400	AS	550	AT	700							
			8.1L V8	4800	HB3/HB4	Y		AK	350	AL	400	AM	450	AN	500	AO	450	AP	500	AQ	450	AR	500	AS	750								
			4500	HB3/HB4	Y	AK		350	AL	500	AM	650	AN	900	AO	750	AP	900	AQ	850	AR	950											
		6.6L Diesel	4800	HB3/HB4	Y	AK		450	AL	500	AM	500	AN	550	AO	550	AP	550	AQ	550	AR	550											
		4500	HB3/HB4	Y	AK	950																											
		X-Cab	6.5' Box Z85 or Snowplow prep. package recommended	6.0L V8	4800	HB3/HB4		Y	AK	350	AL	400	AM	400	AN	450	AO	450	AP	450	AQ	450	AR	450	AS	600	AT	650					
				4670	HB3/HB4	Y		AK	350	AL	400	AM	400	AN	450	AO	450	AP	450	AQ	450	AR	450	AS	600	AT	650						
	8.1L V8		4800	HB3/HB4	Y	AK		450	AL	500	AM	500	AN	550	AO	550	AP	550	AQ	550	AR	550											
	4670		HB3/HB4	Y	AK	450		AL	500	AM	600	AN	850	AO	700	AP	900	AQ	800	AR	900												
	6.6L Diesel	4800	HB3/HB4	Y	AK	500		AL	550	AM	700	AN	1000	AO	850																		
	4670	HB3/HB4	Y	AK	850																												
	8.0' Box Z85 or Snowplow prep. package recommended	6.0L V8	4800	HB3/HB4	Y	AK		300	AL	300	AM	350	AN	400	AO	350	AP	400	AQ	350	AR	400	AS	550	AT	600							
		4670	HB3/HB4	Y	AK	300		AL	300	AM	350	AN	400	AO	350	AP	400	AQ	350	AR	400	AS	600	AT	900								
		8.1L V8	4800	HB3/HB4	Y	AK		400	AL	450	AM	500	AN	750	AO	600	AP	800	AQ	700	AR	800											
		4670	HB3/HB4	Y	AK	650		AL	850																								
		6.6L Diesel	4800	HB3/HB4	Y	AK		700	AL	900																							
		4670	HB3/HB4	Y	AK	950																											
		Crew Cab	6.5' Box Z85 or Snowplow prep. package recommended	6.0L V8	4800	HB3/HB4		Y	AK	250	AL	250	AM	300	AN	350	AO	300	AP	350	AQ	300	AR	350	AS	500	AT	600					
				4670	HB3/HB4	Y		AK	250	AL	250	AM	300	AN	350	AO	300	AP	350	AQ	300	AR	350	AS	850								
	8.1L V8		4800	HB3/HB4	Y	AK		350	AL	400	AM	650	AN	900	AO	750	AP	950	AQ	850	AR	1000											
	4670		HB3/HB4	Y	AK	800		AL	1000																								
	6.6L Diesel	4800	HB3/HB4	Y	AK	950																											
	8.0' Box Z85 or Snowplow prep. package recommended	6.0L V8	4800	HB3/HB4	Y	AK		250	AL	250	AM	300	AN	350	AO	300	AP	350	AQ	350	AR	350	AS	600	AT	950							
4670		HB3/HB4	Y	AK	250	AL	250	AM	300	AN	350	AO	300	AP	350	AQ	350	AR	350	AS	600	AT	950										
8.1L V8		4800	HB3/HB4	Y	AK	300	AL	500	AM	700	AN	950	AO	800	AP	1000	AQ	900															
4670		HB3/HB4	Y	AK	900																												
SILVERADO/SIERRA K2500 Chassis Cab 4x4	All	Z85 or Snowplow prep. package recommended	All	All	HB3/HB4	Y	3529 UT	AK	?	AL	?	AM	?	AN	?	AO	?	AP	?	AQ	?	AR	?	AS	?	AT	?						
						---																											
						---																											
						---																											

Reminder: The Joystick control is not included in the UltraMount® FloStat® hydraulics box.  
Please choose between the Joystick Control #56369 or the CabCommand #56462

**CHEVY/GMC**

FOUR WHEEL DRIVE Vehicle Options							Plow Options (O) and Ballast Required (B)																									
MODEL/ CHASSIS	BODY STYLE	OTHER	ENGINE(S)	MIN FGAWR	HEAD LAMP	DRL ?	PLOW MODEL	S 7.5		SY 7.5		P 7.5		PY 7.5		P 8.0		PY 8.0		P 8.5		P 9.0		MVP 8.5		MVP 9.5						
								O	B	O	B	O	B	O	B	O	B	O	B	O	B	O	B	O	B	O	B	O	B	O	B	
SILVERADO/SIERRA K3500 Pick-up 4x4	Reg Cab	8.0' Box Dual rear wheels F60 or Snowplow prep. package recommended	6.0L V8	4800	HB3/HB4	Y	3529 UT														AQ	150	AR	150	AS	300	AT	350				
				4500	HB3/HB4	Y																	AQ	150	AR	150	AS	600	AT	850		
			8.1L V8	4800	HB3/HB4	Y																		AQ	300	AR	300	AS	900			
				4500	HB3/HB4	Y																		AQ	1000							
			6.6L Diesel	4800	HB3/HB4	Y																		AQ	500	AR	600					
	X-Cab	8.0' Box Dual rear wheels F60 or Snowplow prep. package recommended	6.0L V8	4800	HB3/HB4	Y																	AQ	100	AR	150	AS	300	AT	450		
			8.1L V8	4800	HB3/HB4	Y																		AQ	300	AR	400					
			6.6L Diesel	4800	HB3/HB4	Y																			AQ	950						
Crew Cab	8.0' Box Dual rear wheels F60 or Snowplow prep. package recommended	6.0L V8	4800	HB3/HB4	Y																AQ	100	AR	100	AS	800						
SILVERADO/SIERRA K3500 Chassis Cab 4x4		Min. 8,500 lb. GVWR Dual rear wheels	All		HB3/HB4	Y	3529 UT														AQ	?	AR	?	AS	?	AT	?				
SILVERADO/SIERRA K3600 Chassis Cab 4x4 (Straight Frame)		Min. 8,500 lb. GVWR Dual rear wheels	All		HB3/HB4	Y	3529 UT														AQ	?	AR	?	AS	?	AT	?				

**CHEVY/GMC TWO WHEEL DRIVE**

TWO WHEEL DRIVE Vehicle Options							Plow Options (O) and Ballast Required (B)																									
MODEL/ CHASSIS	BODY STYLE	OTHER	ENGINE(S)	MIN FGAWR	HEAD LAMP	DRL ?	PLOW MODEL	S 7.5		SY 7.5		P 7.5		PY 7.5		P 8.0		PY 8.0		P 8.5		P 9.0		MVP 8.5		MVP 9.5						
								O	B	O	B	O	B	O	B	O	B	O	B	O	B	O	B	O	B	O	B	O	B	O	B	
SILVERADO/SIERRA C3500 Pick-up 4x2	X-Cab	8.0' Box Dual rear wheels F60 or Snowplow prep. package recommended Min. 10,000 lb. GVWR	6.0L V8	4800	HB3/HB4	Y	3529 UT														AQ	0	AR	50	AS	200	AT	250				
				4670	HB3/HB4	Y																	AQ	0	AR	50	AS	200	AT	250		
			8.1L V8	4800	HB3/HB4	Y																		AQ	200	AR	200	AS	750			
				4670	HB3/HB4	Y																		AQ	200	AR	300					
			6.6L Diesel	4800	HB3/HB4	Y																			AQ	300	AR	400				
				4670	HB3/HB4	Y																			AQ	850	AR	950				
	Crew Cab	8.0' Box Dual rear wheels F60 or Snowplow prep. package recommended Min. 10,000 lb. GVWR	6.0L V8	4800	HB3/HB4	Y																	AQ	0	AR	0	AS	150	AT	200		
				4670	HB3/HB4	Y																		AQ	0	AR	0	AS	150	AT	400	
			8.1L V8	4800	HB3/HB4	Y																		AQ	150	AR	200					
				4670	HB3/HB4	Y																		AQ	650	AR	800					
			6.6L Diesel	4800	HB3/HB4	Y																			AQ	800	AR	900				
SILVERADO/SIERRA C3500 Chassis Cab 4x2		Min. 10,000 lb. GVWR Dual rear wheels	All		HB3/HB4	Y	3529 UT														AQ	?	AR	?	AS	?	AT	?				
SILVERADO/SIERRA C3600 Chassis Cab 4x2 (Straight Frame)		Min. 10,000 lb. GVWR	All		HB3/HB4	Y	3529 UT														AQ	?	AR	?	AS	?	AT	?				

CHEVY/GMC										Remember:
COMPLETE PLOW			COMPONENT NUMBERS							
MODEL	OPTION	BLADE SIZE	MOUNT ASSEMBLY	BLADE ASSEMBLY	ATTACHMENT ASSEMBLY	HYDRAULIC ASSEMBLY	LAMP KIT	HARNESS KIT	DRL KIT	Control Choice
3519 UltraMount® Plow	AI	UTS 7.5	67960-1	60018	63560	56588	64078	64077	---	Choose either: #56369 Joystick Or #56462 CabCommand
	AJ	UTSY 7.5	67960-1	62110	63560	56588	64078	64077	---	
	AK	UTP 7.5	67960-1	60381	66880	56588	64078	64077	---	
	AL	UTPY 7.5	67960-1	62400	66880	56588	64078	64077	---	
	AM	UTP 8.0	67960-1	60390	66880	56588	64078	64077	---	
	AN	UTPY 8.0	67960-1	62450	66880	56588	64078	64077	---	
	AO	UTP 8.5	67960-1	60308	66880	56588	64078	64077	---	
	AP	UTP 9.0	67960-1	60655	66880	56588	64078	64077	---	
3529 UltraMount® Plow	AK	UTS 7.5	67981-2	60018	63560	56588	64078	64077	---	Choose either: #56369 Joystick Or #56462 CabCommand
	AL	UTSY 7.5	67981-2	62110	63560	56588	64078	64077	---	
	AM	UTP 7.5	67981-2	60381	66880	56588	64078	64077	---	
	AN	UTPY 7.5	67981-2	62400	66880	56588	64078	64077	---	
	AO	UTP 8.0	67981-2	60390	66880	56588	64078	64077	---	
	AP	UTPY 8.0	67981-2	62450	66880	56588	64078	64077	---	
	AQ	UTP 8.5	67981-2	60308	66880	56588	64078	64077	---	
	AR	UTP 9.0	67981-2	60655	66880	56588	64078	64077	---	
	AS	MVP 8.5	67981-2	63819	56810	56777	64078	64085	---	
AT	MVP 9.5	67981-2	63808	56810	56777	64078	64085	---		



**DODGE**

FOUR WHEEL DRIVE Vehicle Options							Plow Options (O) and Ballast Required (B)																								
MODEL/ CHASSIS	BODY STYLE	OTHER	ENGINE(S)	MIN FGAWR	HEAD LAMP	DRL ?	PLOW MODEL	S 7.5		SY 7.5		P 7.5		PY 7.5		P 8.0		PY 8.0		P 8.5		P 9.0		MVP 8.5		MVP 9.5					
								O	B	O	B	O	B	O	B	O	B	O	B	O	B	O	B	O	B	O	B	O	B	O	B
RAM 1500 Pick-up 4x4 Bumper notching required	Reg Cab	6.5' Box	4.7L V8	3850	HB5	Y	959 UT	AA	350	AC	450																				
						N		AB	350	AD	450																				
						---																									
RAM 2500 HD Pick-up 4x4 Bumper notching on SPORT required (Vehicles with cab lights also require kit # 61185)	Reg Cab	8' Box	5.7L V8	5200	HB5	Y	969 UT	AA	150	AC	200	AE	200	AG	250	AI	250	AK	250	AM	250	AO	300	AQ	450	AS	500				
						N		AB	150	AD	200	AF	200	AH	250	AJ	250	AL	250	AN	250	AP	300	AR	450	AT	500				
						---		AA	500	AC	500	AE	550	AG	600	AI	550	AK	650	AM	600	AO	650								
	---	AB	500	AD	500	AF		550	AH	600	AJ	550	AL	650	AN	600	AP	650													
	---	AA	100	AC	150	AE		200	AG	200	AI	200	AK	250	AM	200	AO	250	AR	400	AS	450									
	---	AB	100	AD	150	AF		200	AH	200	AJ	200	AL	250	AN	200	AP	250	AR	400	AT	450									
RAM 2500 Chassis Cab 4x4 (Vehicles with cab lights also require kit # 61185)	All	Min. 8500 GVWR	All	All	HB5	Y	969 UT	AA	?	AC	?	AE	?	AG	?	AI	?	AK	?	AM	?	AO	?	AQ	?	AS	?				
						N		AB	?	AD	?	AF	?	AH	?	AJ	?	AL	?	AN	?	AP	?	AR	?	AT	?				
						---																									
RAM 3500 Pick-up 4x4 Bumper notching on SPORT required (Vehicles with cab lights also require kit # 61185)	Reg Cab	8' Box Dual rear wheels	5.9L 24V TD (Non-High Output)	5200	HB5	Y	969 UT													AM	550	AO	700								
						N																	AN	550	AP	700					
						---																									
						---																									
RAM 3500 Chassis Cab 4x4 (Vehicles with cab lights also require kit # 61185)	All	Min. 8500 GVWR Single rear wheels	All	All	HB5	Y	969 UT				AE	?	AG	?	AI	?	AK	?	AM	?	AO	?	AQ	?	AS	?					
						N				AF	?	AH	?	AJ	?	AL	?	AN	?	AP	?	AR	?	AT	?						
	All	Min. 8500 GVWR Dual rear wheels	All	All	HB5	Y														AM	?	AO	?	AQ	?	AS	?				

**DODGE (TWO WHEEL DRIVE)**

TWO WHEEL DRIVE Vehicle Options							Plow Options (O) and Ballast Required (B)																			
RAM 3500 Chassis Cab 2WD (Vehicles with cab lights also require kit # 61185)	All	Min. 10,000 GVWR Single rear wheels	All	All	HB5	Y	969 UT				AE	?	AG	?	AI	?	AK	?	AM	?	AO	?	AQ	?	AS	?
						N				AF	?	AH	?	AJ	?	AL	?	AN	?	AP	?	AR	?	AT	?	
						---																				

Reminder: The Joystick control is not included in the UltraMount® FloStat® hydraulics box.  
Please choose between the Joystick Control #56369 or the CabCommand #56462

Please Note: Some models still in development. More Application information to come soon.

**DODGE**

DODGE										Remember:
COMPLETE PLOW			COMPONENT NUMBERS							
MODEL	OPTION	BLADE SIZE	MOUNT ASSEMBLY	BLADE ASSEMBLY	ATTACHMENT ASSEMBLY	HYDRAULIC ASSEMBLY	LAMP KIT	HARNESS KIT	DRL KIT	Control Choice
959 UltraMount® Plow	AA	UTS 7.5	63760	60018	63560	56588	64078	64053	61584	Choose either: #56369 Joystick Or #56462 CabCommand
	AB	UTS 7.5	63760	60018	63560	56588	64078	64053	----	
	AC	UTSY 7.5	63760	62110	63560	56588	64078	64053	61584	
	AD	UTSY 7.5	63760	62110	63560	56588	64078	64053	----	
969 UltraMount® Plow	AA	UTS 7.5	63883-1	60018	63560	56588	64078	64053	61584	Choose either: #56369 Joystick Or #56462 CabCommand
	AB	UTS 7.5	63883-1	60018	63560	56588	64078	64053	----	
	AC	UTSY 7.5	63883-1	62110	63560	56588	64078	64053	61584	
	AD	UTSY 7.5	63883-1	62110	63560	56588	64078	64053	----	
	AE	UTP 7.5	63883-1	60381	66880	56588	64078	64053	61584	
	AF	UTP 7.5	63883-1	60381	66880	56588	64078	64053	----	
	AG	UTPY 7.5	63883-1	62400	66880	56588	64078	64053	61584	
	AH	UTPY 7.5	63883-1	62400	66880	56588	64078	64053	----	
	AI	UTP 8.0	63883-1	60390	66880	56588	64078	64053	61584	
	AJ	UTP 8.0	63883-1	60390	66880	56588	64078	64053	----	
	AK	UTPY 8.0	63883-1	62450	66880	56588	64078	64053	61584	
	AL	UTPY 8.0	63883-1	62450	66880	56588	64078	64053	----	
	AM	UTP 8.5	63883-1	60308	66880	56588	64078	64053	61584	
	AN	UTP 8.5	63883-1	60308	66880	56588	64078	64053	----	
	AO	UTP 9.0	63883-1	60655	66880	56588	64078	64053	61584	
	AP	UTP 9.0	63883-1	60655	66880	56588	64078	64053	----	
	AQ	MVP 8.5	63883-1	63819	56810	56777	64078	64054	61584	
AR	MVP 8.5	63883-1	63819	56810	56777	64078	64054	----		
AS	MVP 9.5	63883-1	63808	56810	56777	64078	64054	61584		
AT	MVP 9.5	63883-1	63808	56810	56777	64078	64054	----		

## **FORD F-SUPER DUTY FRONT SPRING CODES (LOCATED ON LOWER RIGHT HAND CORNER OF DOOR STICKER)**

A verification of the actual spring rating is required on F-250/350/450/550 built to date. The drivers side door sticker FGAWR value may not be correct. To verify this compare the **FIRST LETTER** of the spring code located on the lower right hand side of the door sticker to the charts below to find the actual spring rating. Tires must be inflated to 65 psi for LT235 and 55 for LT265 to obtain proper tire capacity.

A vehicle certification label may have to be attached to the vehicles door post. Contact the National Truck-Equipment Association (N.T.E.A.) for information and certification labels. (800) 441-6832

Refer to service bulletin **SP716** for additional information.

SUPER DUTY F-SERIES / MODEL	CODE	FGAWR
F-250-350 2WD	B	3200
	C	3350
	D	3500
	E	3650
	F	3800
	G	3950
	H	4100
	I	4250
	J	4400
	K	4550
	L	4700

SUPER DUTY F-SERIES / MODEL	CODE	FGAWR
F-250-350 4x4	R	3600
	S	4000
	T	4400
	U	4800
	V	5200
	*W	5600
	*X	6000

\* These options provide a  
**MAXIMUM FGAWR of 5200.**

SUPER DUTY F-SERIES / MODEL	CODE	FGAWR
F-450-550	W	5600
	X	6000



**FORD**

**FOUR WHEEL DRIVE Vehicle Options**

**Plow Options (O) and Ballast Required (B)**

MODEL/ CHASSIS	BODY STYLE	OTHER	ENGINE(S)	MIN FGAWR	HEAD LAMP	DRL ?	PLOW MODEL	S 7.5		SY 7.5		P 7.5		PY 7.5		P 8.0		PY 8.0		P 8.5		P 9.0		MVP 8.5		MVP 9.5				
								O	B	O	B	O	B	O	B	O	B	O	B	O	B	O	B	O	B	O	B	O	B	O
Excursion 4x4			5.4L V8	4700	HB5	Y	3219 UT	AA	0	AE	0	AI	0	AM	150	AQ	50	AU	200											
			6.8L V10	4700	HB5	N		AB	0	AF	0	AJ	0	AN	150	AR	50	AV	200											
						Y		AA	0	AE	150	AI	300																	
F-150 Pick-up 4X4 May require bumper notching Snowplow prep. Package recommended	Reg Cab	6.5' Flareside Min. GVWR 6250 Snowplow prep. package recommended	4.2L V6	3600	HB5	Y	1229 UT	AA	400	AC	600	AE	750																	
			4.6L V8	3600	HB5	N		AB	400	AD	600	AF	750																	
						Y		AA	650																					
		4.6L V8	3600	HB5	N	AB		650																						
					Y	AA		650																						
					N	AB		650																						
		8' Box, Min. GVWR 7700 Snowplow prep. package recommended	5.4L V8	4150	HB5	Y		AA	350	AC	400	AE	400	AG	450	AI	450	AO	450	AK	450	AM	450							
				Y	AB	350		AD	400	AF	400	AH	450	AJ	450	AP	450	AL	450	AN	450									
				N	AA	300		AC	350	AE	350	AG	400	AI	400	AO	400	AK	400	AM	400									
		SuperCab	6.5' Box, Min. GVWR 7700 Snowplow prep. package recommended	5.4L V8	4150	HB5		Y	AB	300	AD	350	AF	350	AH	400	AJ	400	AP	400	AL	400	AN	400						
					Y	AA		300	AC	350	AE	350	AG	400	AI	400	AO	400	AK	400	AM	400								
					N	AB		300	AD	350	AF	350	AH	400	AJ	400	AP	400	AL	400	AN	400								
F-250 Super Duty Pick-up 4x4 (Vehicles with cab lights also require kit # 61185) (See note on Spring Code and tire pressure on pg. 7)	Reg Cab	8' Styleside Snowplow prep. package recommended	5.4L V8	5200	HB5	Y	3219 UT	AA	300	AE	300	AI	350	AM	400	AQ	350	AU	400	AY	400	BC	400	BG	550	BK	600			
						N		AB	300	AF	300	AJ	350	AN	400	AR	350	AV	400	AZ	400	BD	400	BH	550	BL	600			
						Y		AC	300	AG	300	AK	350	AO	400	AS	350	AW	400	BA	400	BE	400	BI	550	BM	600			
			N	AD	300	AH		300	AL	350	AP	400	AT	350	AX	400	BB	400	BF	400	BJ	550	BN	600						
			Y	AA	300	AE		300	AI	350	AM	400	AQ	350	AU	400	AY	400	BC	400	BG	550	BK	600						
			N	AB	300	AF		300	AJ	350	AN	400	AR	350	AV	400	AZ	400	BD	400	BH	550	BL	600						
			Y	AC	300	AG		300	AK	350	AO	400	AS	350	AW	400	BA	400	BE	400	BI	550	BM	600						
			N	AD	300	AH		300	AL	350	AP	400	AT	350	AX	400	BB	400	BF	400	BJ	550	BN	600						
			Y	AA	600	AE		750	AI	950																				
		N	AB	600	AF	750		AJ	950																					
		Y	AC	600	AG	750		AK	950																					
		N	AD	600	AH	750		AL	950																					
		Y	AA	350	AE	400		AI	400	AM	450	AQ	450	AU	450	AY	450	BC	450	BG	600	BK	650							
		N	AB	350	AF	400		AJ	400	AN	450	AR	450	AV	450	AZ	450	BD	450	BH	600	BL	650							
		Y	AC	350	AG	400		AK	400	AO	450	AS	450	AW	450	BA	450	BE	450	BI	600	BM	650							
		N	AD	350	AH	400		AL	400	AP	450	AT	450	AX	450	BB	450	BF	450	BJ	600	BN	650							
		Y	AA	350	AE	400		AI	400	AM	450	AQ	450	AU	450	AY	450	BC	450	BG	600	BK	650							
		N	AB	350	AF	400		AJ	400	AN	450	AR	450	AV	450	AZ	450	BD	450	BH	600	BL	650							
	Y	AC	350	AG	400	AK		400	AO	450	AS	450	AW	450	BA	450	BE	450	BI	600	BM	650								
	N	AD	350	AH	400	AL		400	AP	450	AT	450	AX	450	BB	450	BF	450	BJ	600	BN	650								
	Y	AA	500	AE	550	AI		600	AM	600	AQ	600	AU	600	AY	600	BC	650	BG	500	BK	550								
	N	AB	500	AF	550	AJ		600	AN	600	AR	600	AV	600	AZ	600	BD	650	BH	500	BL	550								
	Y	AC	500	AG	550	AK		600	AO	600	AS	600	AW	600	BA	600	BE	650	BI	500	BM	550								
	N	AD	500	AH	550	AL		600	AP	600	AT	600	AX	600	BB	600	BF	650	BJ	500	BN	550								
	Y	AA	250	AE	250	AI		300	AM	350	AQ	300	AU	350	AY	350	BC	350	BG	500	BK	550								
	N	AB	250	AF	250	AJ		300	AN	350	AR	300	AV	350	AZ	350	BD	350	BH	500	BL	550								
	Y	AC	250	AG	250	AK		300	AO	350	AS	300	AW	350	BA	350	BE	350	BI	500	BM	550								
	N	AD	250	AH	250	AL		300	AP	350	AT	300	AX	350	BB	350	BF	350	BJ	500	BN	550								
	Y	AA	250	AE	250	AI		300	AM	350	AQ	300	AU	350	AY	350	BC	350	BG	850										
	N	AB	250	AF	250	AJ		300	AN	350	AR	300	AV	350	AZ	350	BD	350	BH	850										
	Y	AC	250	AG	250	AK		300	AO	350	AS	300	AW	350	BA	350	BE	350	BI	850										
	N	AD	250	AH	250	AL		300	AP	350	AT	300	AX	350	BB	350	BF	350	BJ	850										
	Y	AA	800	AE	950																									
	N	AB	800	AF	950																									
	Y	AC	800	AG	950																									
	N	AD	800	AH	950																									
Y	AA	300	AE	350	AI	350	AM	400	AQ	400	AU	400	AY	400	BC	400	BG	550	BK	600										
N	AB	300	AF	350	AJ	350	AN	400	AR	400	AV	400	AZ	400	BD	400	BH	550	BL	600										
Y	AC	300	AG	350	AK	350	AO	400	AS	400	AW	400	BA	400	BE	400	BI	550	BM	600										
N	AD	300	AH	350	AL	350	AP	400	AT	400	AX	400	BB	400	BF	400	BJ	550	BN	600										
Y	AA	300	AE	350	AI	350	AM	450	AQ	400	AU	450	AY	400	BC	500														
N	AB	300	AF	350	AJ	350	AN	450	AR	400	AV	450	AZ	400	BD	500														
Y	AC	300	AG	350	AK	350	AO	450	AS	400	AW	450	BA	400	BE	500														
N	AD	300	AH	350	AL	350	AP	450	AT	400	AX	450	BB	400	BF	500														
Y	AA	450	AE	500	AI	500	AM	550	AQ	550	AU	550	AY	550	BC	550														
N	AB	450	AF	500	AJ	500	AN	550	AR	550	AV	550	AZ	550	BD	550														
Y	AC	450	AG	500	AK	500	AO	550	AS	550	AW	550	BA	550	BE	550														
N	AD	450	AH	500	AL	500	AP	550	AT	550	AX	550	BB	550	BF	550														

Reminder: The Joystick control is not included in the UltraMount<sup>®</sup> FloStat<sup>®</sup> hydraulics box.

Please choose between the Joystick Control #56369 or the CabCommand #56462

**FORD**

**FOUR WHEEL DRIVE Vehicle Options**

**Plow Options (O) and Ballast Required (B)**

MODEL/ CHASSIS	BODY STYLE	OTHER	ENGINE(S)	MIN FGAWR	HEAD LAMP	DRL ?	PLOW MODEL	Plow Options (O) and Ballast Required (B)																				
								S 7.5		SY 7.5		P 7.5		PY 7.5		P 8.0		PY 8.0		P 8.5		P 9.0		MVP 8.5		MVP 9.5		
								O	B	O	B	O	B	O	B	O	B	O	B	O	B	O	B	O	B			
F-250 Super Duty Pick-up 4x4 (Vehicles with cab lights also require kit # 61185) (See note on Spring Code and tire pressure on pg. 7) (Continued)	SuperCab (Continued)	8' Styleside Snowplow prep. package recommended	5.4L V8	5200	HB5	Y	3219 UT	AA	250	AE	300	AI	300	AM	350	AQ	350	AU	350	AY	350	BC	350	BG	500	BK	550	
						N		AB	250	AF	300	AJ	300	AN	350	AR	350	AV	350	AZ	350	BD	350	BH	500	BL	550	
						Y		AC	250	AG	300	AK	300	AO	350	AS	350	AW	350	BA	350	BE	350	BI	500	BM	550	
				N	AD	250		AH	300	AL	300	AP	350	AT	350	AX	350	BB	350	BF	350	BJ	500	BN	550			
				Y	AA	250		AE	300	AI	300	AM	350	AQ	350	AU	400	AY	350	BC	400							
				N	AB	250		AF	300	AJ	300	AN	350	AR	350	AV	400	AZ	350	BD	400							
			4800	HB5	Y	AC		250	AG	300	AK	300	AO	350	AS	350	AW	400	BA	350	BE	400						
					N	AD		250	AH	300	AL	300	AP	350	AT	350	AX	400	BB	350	BF	400						
					Y	AA		250	AE	300	AI	300	AM	450	AQ	400	AU	450	AY	400	BC	450	BG	600	BK	650		
				N	AB	250		AF	300	AJ	300	AN	450	AR	400	AV	450	AZ	400	BD	450	BH	600	BL	650			
				Y	AC	250		AG	300	AK	400	AO	450	AS	400	AW	450	BA	400	BE	450	BI	600	BM	650			
				N	AD	250		AH	300	AL	400	AP	450	AT	400	AX	450	BB	400	BF	450	BJ	600	BN	650			
	5200	HB5	Y	AA	350	AE	350	AI	400	AM	450	AQ	400	AU	450	AY	400	BC	450	BG	600	BK	650					
			N	AB	350	AF	350	AJ	400	AN	450	AR	400	AV	450	AZ	400	BD	450	BH	600	BL	650					
			Y	AC	350	AG	350	AK	400	AO	450	AS	400	AW	450	BA	400	BE	450	BI	600	BM	650					
		N	AD	350	AH	350	AL	400	AP	450	AT	400	AX	450	BB	400	BF	450	BJ	600	BN	650						
		Y	AA	350	AE	450	AI	650	AM	900	AQ	750	AU	950	AY	850	BC	1000										
		N	AB	350	AF	450	AJ	650	AN	900	AR	750	AV	950	AZ	850	BD	1000										
	4800	HB5	Y	AC	350	AG	450	AK	650	AO	900	AS	750	AW	950	BA	850	BE	1000									
			N	AD	350	AH	450	AL	650	AP	900	AT	750	AX	950	BB	850	BF	1000									
			Y	AA	500	AE	600	AI	800			AQ	950															
		N	AB	500	AF	600	AJ	800			AR	950																
		Y	AC	500	AG	600	AK	800			AS	950																
		N	AD	500	AH	600	AL	800			AT	950																
Crew Cab	6.75' Styleside Snowplow prep. package recommended	5.4L V8	5200	HB5	Y	AA	200	AE	250	AI	300	AM	300	AQ	300	AU	300	AY	300	BC	300	BG	500	BK	550			
					N	AB	200	AF	250	AJ	300	AN	300	AR	300	AV	300	AZ	300	BD	300	BH	500	BL	550			
					Y	AC	200	AG	250	AK	300	AO	300	AS	300	AW	300	BA	300	BE	300	BI	500	BM	550			
			N	AD	200	AH	250	AL	300	AP	300	AT	300	AX	300	BB	300	BF	300	BJ	500	BN	550					
			Y	AA	200	AE	250	AI	300	AM	450	AQ	300	AU	500	AY	400	BC	500									
			N	AB	200	AF	250	AJ	300	AN	450	AR	300	AV	500	AZ	400	BD	500									
		4800	HB5	Y	AC	200	AG	250	AK	300	AO	450	AS	300	AW	500	BA	400	BE	500								
				N	AD	200	AH	250	AL	300	AP	450	AT	300	AX	500	BB	400	BF	500								
				Y	AA	200	AE	250	AI	300	AM	450	AQ	300	AU	500	AY	400	BC	500								
			N	AB	200	AF	250	AJ	300	AN	450	AR	300	AV	500	AZ	400	BD	500									
			Y	AC	200	AG	250	AK	300	AO	450	AS	300	AW	500	BA	400	BE	500									
			N	AD	200	AH	250	AL	300	AP	450	AT	300	AX	500	BB	400	BF	500									
5200	HB5	Y	AA	300	AE	300	AI	350	AM	400	AQ	350	AU	400	AY	350	BC	400	BG	550	BK	750						
		N	AB	300	AF	300	AJ	350	AN	400	AR	350	AV	400	AZ	350	BD	400	BH	550	BL	750						
		Y	AC	300	AG	300	AK	350	AO	400	AS	350	AW	400	BA	350	BE	400	BI	550	BM	750						
	N	AD	300	AH	300	AL	350	AP	400	AT	350	AX	400	BB	350	BF	400	BJ	550	BN	750							
	Y	AA	400	AE	600	AI	850			AQ	950																	
	N	AB	400	AF	600	AJ	850			AR	950																	
4800	HB5	Y	AC	400	AG	600	AK	850			AS	950																
		N	AD	400	AH	600	AL	850			AT	950																
		Y	AA	550	AE	750																						
	N	AB	550	AF	750																							
	Y	AC	550	AG	750																							
	N	AD	550	AH	750																							
8' Styleside Snowplow prep. package recommended	5.4L V8	5200	HB5	Y	AA	250	AE	250	AI	300	AM	350	AQ	300	AU	350	AY	350	BC	350	BG	500	BK	550				
				N	AB	250	AF	250	AJ	300	AN	350	AR	300	AV	350	AZ	350	BD	350	BH	500	BL	550				
				Y	AC	250	AG	250	AK	300	AO	350	AS	300	AW	350	BA	350	BE	350	BI	500	BM	550				
			N	AD	250	AH	250	AL	300	AP	350	AT	300	AX	350	BB	350	BF	350	BJ	500	BN	550					
			Y	AA	250	AE	450	AI	700	AM	950	AQ	800	AU	1000	AY	900											
			N	AB	250	AF	450	AJ	700	AN	950	AR	800	AV	1000	AZ	900											
		4800	HB5	Y	AC	250	AG	450	AK	700	AO	950	AS	800	AW	1000	BA	900										
				N	AD	250	AH	450	AL	700	AP	950	AT	800	AX	1000	BB	900										
				Y	AA	300	AE	350	AI	350	AM	400	AQ	350	AU	400	AY	400	BC	400	BG	900						
			N	AB	300	AF	350	AJ	350	AN	400	AR	350	AV	400	AZ	400	BD	400	BH	900							
			Y	AC	300	AG	350	AK	350	AO	400	AS	350	AW	400	BA	400	BE	400	BI	900							
			N	AD	300	AH	350	AL	350	AP	400	AT	350	AX	400	BB	400	BF	400	BJ	900							
Reg Cab	8' Styleside Single rear wheels Snowplow prep. package recommended	5.4L V8	5200	HB5	Y				AI	350	AM	400	AQ	350	AU	400	AY	400	BC	400	BG	550	BK	600				
					N				AJ	350	AN	400	AR	350	AV	400	AZ	400	BD	400	BH	550	BL	600				
					Y				AK	350	AO	400	AS	350	AW	400	BA	400	BE	400	BI	550	BM	600				
			N				AL	350	AP	400	AT	350	AX	400	BB	400	BF	400	BJ	550	BN	600						
			Y				AI	350	AM	400	AQ	350	AU	400	AY	400	BC	400	BG	650	BK	950						
			N				AJ	350	AN	400	AR	350	AV	400	AZ	400	BD	400	BH	650	BL	950						
		4800	HB5	Y				AK	350	AO	400	AS	350	AW	400	BA	400	BE	400	BI	650	BM	950					
				N				AL	350	AP	400	AT	350	AX	400	BB	400	BF	400	BJ	650	BN	950					
				Y				AI	950																			
			N				AJ	950																				
			Y				AK	950																				
			N				AL	950																				

Reminder: The Joystick control is not included in the UltraMount® FloStat® hydraulics box.  
Please choose between the Joystick Control #56369 or the CabCommand #56462

FORD

FOUR WHEEL DRIVE Vehicle Options							Plow Options (O) and Ballast Required (B)																										
MODEL/CHASSIS	BODY STYLE	OTHER	ENGINE(S)	MIN FGAWR	HEAD LAMP	DRL ?	PLOW MODEL	S 7.5		SY 7.5		P 7.5		PY 7.5		P 8.0		PY 8.0		P 8.5		P 9.0		MVP 8.5		MVP 9.5							
								O	B	O	B	O	B	O	B	O	B	O	B	O	B	O	B	O	B	O	B						
F-350 Super Duty Pick-up 4x4 May require bumper notching (Vehicles with cab lights also require kit # 61185) (See note on Spring Code and tire pressure on pg. 7) (Continued)	Reg Cab (Continued)	8' Styleside Single rear wheels Snowplow prep. package recommended (Continued)	6.8L V10 (Air spring kit #63720 recommended on plows 8-1/2' & larger)	5200	HB5	Y	3219 UT					AI	400	AM	450	AQ	450	AU	450	AY	450	BC	450	BG	600	BK	650						
					N	AJ		400	AN	450	AR	450	AV	450	AZ	450	BD	450	BH	600	BL	650											
					2B	Y		AK	400	AO	450	AS	450	AW	450	BA	450	BE	450	BI	600	BM	650										
				N	AL	400		AP	450	AT	450	AX	450	BB	450	BF	450	BJ	600	BN	650												
				4800	HB5	Y		AI	400	AM	450	AQ	450	AU	450	AY	450	BC	450														
				N	AJ	400		AN	450	AR	450	AV	450	AZ	450	BD	450																
			2B	Y	AK	400		AO	450	AS	450	AW	450	BA	450	BE	450																
			N	AL	400	AP		450	AT	450	AX	450	BB	450	BF	450																	
			4800	HB5	Y	AI		400	AM	450	AQ	450	AU	450	AY	450	BC	450															
			N	AJ	400	AN		450	AR	450	AV	450	AZ	450	BD	450																	
			2B	Y	AK	400		AO	450	AS	450	AW	450	BA	450	BE	450																
			N	AL	400	AP		450	AT	450	AX	450	BB	450	BF	450																	
		5200	HB5	Y	AI	550		AM	600	AQ	600	AU	600	AY	600	BC	600																
		N	AJ	550	AN	600		AR	600	AV	600	AZ	600	BD	600																		
		2B	Y	AK	550	AO		600	AS	600	AW	600	BA	600	BE	600																	
		N	AL	550	AP	600		AT	600	AX	600	BB	600	BF	600																		
		5200	HB5	Y	AI	200		BC	250	AY	200	BC	250	BG	400	BK	450																
		N	AZ	200	BD	250		BH	400	BL	450																						
		2B	Y	BA	200	BE		250	BI	400	BM	450																					
		N	BB	200	BF	250		BJ	400	BN	450																						
		4800	HB5	Y	AI	200		BC	250	BG	800																						
		N	AZ	200	BD	250		BH	800																								
		2B	Y	BA	200	BE		250	BI	800																							
		N	BB	200	BF	250		BJ	800																								
	5200	HB5	Y	AI	250	BC	250	BG	400	BK	450																						
	N	AZ	250	BD	250	BH	400	BL	450																								
	2B	Y	BA	250	BE	250	BI	400	BM	450																							
	N	BB	250	BF	250	BJ	400	BN	450																								
	4800	HB5	Y	AI	250	BC	400																										
	N	AZ	250	BD	400																												
	2B	Y	BA	250	BE	400																											
	N	BB	250	BF	400																												
	5200	HB5	Y	AI	400	BC	450																										
	N	AZ	400	BD	450																												
	2B	Y	BA	400	BE	450																											
	N	BB	400	BF	450																												
	SuperCab	6.75' Styleside Single rear wheels Snowplow prep. package recommended	5.4L V8	6.8L V10 (Air spring kit #63720 recommended on plows 8-1/2' & larger)	5200	HB5	Y						AI	300	AM	350	AQ	300	AU	350	AY	350	BC	350	BG	500	BK	550					
	N					AJ	300	AN	350	AR	300	AV	350	AZ	350	BD	350	BH	500	BL	550												
	2B					Y	AK	300	AO	350	AS	300	AW	350	BA	350	BE	350	BI	500	BM	550											
	N				AL	300	AP	350	AT	300	AX	350	BB	350	BF	350	BJ	500	BN	550													
	4800				HB5	Y	AI	300	AM	350	AQ	300	AU	350	AY	350	BC	350	BG	850													
	N				AJ	300	AN	350	AR	300	AV	350	AZ	350	BD	350	BH	850															
	2B			Y	AK	300	AO	350	AS	300	AW	350	BA	350	BE	350	BI	850															
	N			AL	300	AP	350	AT	300	AX	350	BB	350	BF	350	BJ	850																
	5200			HB5	Y	AI	350	AM	400	AQ	400	AU	400	AY	400	BC	400	BG	550	BK	600												
	N			AJ	350	AN	400	AR	400	AV	400	AZ	400	BD	400	BH	550	BL	600														
	2B			Y	AK	350	AO	400	AS	400	AW	400	BA	400	BE	400	BI	550	BM	600													
	N			AL	350	AP	400	AT	400	AX	400	BB	400	BF	400	BJ	550	BN	600														
4800	HB5		Y	AI	350	AM	450	AQ	400	AU	450	AY	400	BC	500																		
N	AJ		350	AN	450	AR	400	AV	450	AZ	400	BD	500																				
2B	Y		AK	350	AO	450	AS	400	AW	450	BA	400	BE	500																			
N	AL		350	AP	450	AT	400	AX	450	BB	400	BF	500																				
5200	HB5		Y	AI	500	AM	550	AQ	550	AU	550	AY	550	BC	550																		
N	AJ		500	AN	550	AR	550	AV	550	AZ	550	BD	550																				
2B	Y		AK	500	AO	550	AS	550	AW	550	BA	550	BE	550																			
N	AL		500	AP	550	AT	550	AX	550	BB	550	BF	550																				
5200	HB5		Y	AI	300	AM	350	AQ	350	AU	350	AY	350	BC	350	BG	500	BK	550														
N	AJ		300	AN	350	AR	350	AV	350	AZ	350	BD	350	BH	500	BL	550																
2B	Y		AK	300	AO	350	AS	350	AW	350	BA	350	BE	350	BI	500	BM	550															
N	AL		300	AP	350	AT	350	AX	350	BB	350	BF	350	BJ	500	BN	550																
4800	HB5		Y	AI	300	AM	350	AQ	350	AU	350	AY	350	BC	350	BG	400																
N	AJ		300	AN	350	AR	350	AV	350	AZ	350	BD	350	BH	400																		
2B	Y		AK	300	AO	350	AS	350	AW	350	BA	350	BE	350	BI	400																	
N	AL		300	AP	350	AT	350	AX	350	BB	350	BF	350	BJ	400																		

Reminder: The Joystick control is not included in the UltraMount® FloStat® hydraulics box.  
Please choose between the Joystick Control #56369 or the CabCommand #56462



## FORD

FOUR WHEEL DRIVE Vehicle Options							Plow Options (O) and Ballast Required (B)																							
MODEL/ CHASSIS	BODY STYLE	OTHER	ENGINE(S)	MIN FGAWR	HEAD LAMP	DRL ?	PLOW MODEL	S 7.5		SY 7.5		P 7.5		PY 7.5		P 8.0		PY 8.0		P 8.5		P 9.0		MVP 8.5		MVP 9.5				
								O	B	O	B	O	B	O	B	O	B	O	B	O	B	O	B	O	B	O	B	O	B	O
F-350 Super Duty Chassis Cab 4x4 (Vehicles with cab lights also require kit # 61185) (See note on Spring Code and tire pressure on pg. 7)	All	Single rear wheels Min. 8,500 lb. GVWR Snowplow prep. package recommended	All (Air spring kit #63720 recommended on plows 8-1/2' & larger)	4400	HB5	Y	3219 UT					AI	?	AM	?	AQ	?	AU	?	AY	?	BC	?	BG	?	BK	?			
						N																								
						2B																								
		Dual rear wheels Min. 8,500 lb. GVWR Snowplow prep. package recommended	All (Air spring kit #63720 recommended on plows 8-1/2' & larger)	4400	HB5	Y																								
						N																								
						2B																								
F-450 Super Duty Chassis Cab 4x4 (Vehicles with cab lights also require kit # 61185)	All	Dual rear wheels Min. 8,500 lb. GVWR Snowplow prep. package recommended	All	5200	HB5	Y	3219 UT													AY	?	BC	?	BG	?	BK	?			
						N																								
						2B																								
		Dual rear wheels Min. 8,500 lb. GVWR Snowplow prep. package recommended	All	5200	HB5	Y																								
						N																								
						2B																								
F-550 Super Duty Chassis Cab 4x4 (Vehicles with cab lights also require kit # 61185)	All	Dual rear wheels Min. 8,500 lb. GVWR Snowplow prep. package recommended	All	5200	HB5	Y	3219 UT													AY	?	BC	?	BG	?	BK	?			
						N																								
						2B																								
		Dual rear wheels Min. 8,500 lb. GVWR Snowplow prep. package recommended	All	5200	HB5	Y																								
						N																								
						2B																								

Reminder: The Joystick control is not included in the UltraMount<sup>®</sup> FloStat<sup>®</sup> hydraulics box.  
Please choose between the Joystick Control #56369 or the CabCommand #56462

**FORD**

**Remember:**

COMPLETE PLOW			COMPONENT NUMBERS							Control Choice
MODEL	OPTION	BLADE SIZE	MOUNT ASSEMBLY	BLADE ASSEMBLY	ATTACHMENT ASSEMBLY	HYDRAULIC ASSEMBLY	LAMP KIT	HARNESS KIT	DRL KIT	
1229 UltraMount® Plow	AA	UTS 7.5	67810	60018	63560	56588	61540-1	63420	61584	Choose either: #56369 Joystick Or #56462 CabCommand
	AB	UTS 7.5	67810	60018	63560	56588	61540-1	63420	-----	
	AC	UTSY 7.5	67810	62110	63560	56588	61540-1	63420	61584	
	AD	UTSY 7.5	67810	62110	63560	56588	61540-1	63420	-----	
	AE	UTP 7.5	67810	60381	66880	56588	61540-1	63420	61584	
	AF	UTP 7.5	67810	60381	66880	56588	61540-1	63420	-----	
	AG	UTPY 7.5	67810	62400	66880	56588	61540-1	63420	61584	
	AH	UTPY 7.5	67810	62400	66880	56588	61540-1	63420	-----	
	AI	UTP 8.0	67810	60390	66880	56588	61540-1	63420	61584	
	AJ	UTP 8.0	67810	60390	66880	56588	61540-1	63420	-----	
	AK	UTP 8.5	67810	60308	66880	56588	61540-1	63420	61584	
	AL	UTP 8.5	67810	60308	66880	56588	61540-1	63420	-----	
	AM	UTP 9.0	67810	60655	66880	56588	61540-1	63420	61584	
	AN	UTP 9.0	67810	60655	66880	56588	61540-1	63420	-----	
AO	UTPY 8.0	67810	62450	66880	56588	61540-1	63420	61584		
AP	UTPY 8.0	67810	62450	66880	56588	61540-1	63420	-----		
3219 UltraMount® Plow	AA	UTS 7.5	67982	60018	63560	56588	61540-1	63420	61584	Choose either: #56369 Joystick Or #56462 CabCommand
	AB	UTS 7.5	67982	60018	63560	56588	61540-1	63420	-----	
	AC	UTS 7.5	67982	60018	63560	56588	61540-1	63422	61584	
	AD	UTS 7.5	67982	60018	63560	56588	61540-1	63422	-----	
	AE	UTSY 7.5	67982	62110	63560	56588	61540-1	63420	61584	
	AF	UTSY 7.5	67982	62110	63560	56588	61540-1	63420	-----	
	AG	UTSY 7.5	67982	62110	63560	56588	61540-1	63422	61584	
	AH	UTSY 7.5	67982	62110	63560	56588	61540-1	63422	-----	
	AI	UTP 7.5	67982	60381	66880	56588	61540-1	63420	61584	
	AJ	UTP 7.5	67982	60381	66880	56588	61540-1	63420	-----	
	AK	UTP 7.5	67982	60381	66880	56588	61540-1	63422	61584	
	AL	UTP 7.5	67982	60381	66880	56588	61540-1	63422	-----	
	AM	UTPY 7.5	67982	62400	66880	56588	61540-1	63420	61584	
	AN	UTPY 7.5	67982	62400	66880	56588	61540-1	63420	-----	
	AO	UTPY 7.5	67982	62400	66880	56588	61540-1	63422	61584	
	AP	UTPY 7.5	67982	62400	66880	56588	61540-1	63422	-----	
	AQ	UTP 8.0	67982	60390	66880	56588	61540-1	63420	61584	
	AR	UTP 8.0	67982	60390	66880	56588	61540-1	63420	-----	
AS	UTP 8.0	67982	60390	66880	56588	61540-1	63422	61584		
AT	UTP 8.0	67982	60390	66880	56588	61540-1	63422	-----		
AU	UTPY 8.0	67982	62450	66880	56588	61540-1	63420	61584		
AV	UTPY 8.0	67982	62450	66880	56588	61540-1	63420	-----		
AW	UTPY 8.0	67982	62450	66880	56588	61540-1	63422	61584		
AX	UTPY 8.0	67982	62450	66880	56588	61540-1	63422	-----		

FORD										Remember:
COMPLETE PLOW			COMPONENT NUMBERS							
MODEL	OPTION	BLADE SIZE	MOUNT ASSEMBLY	BLADE ASSEMBLY	ATTACHMENT ASSEMBLY	HYDRAULIC ASSEMBLY	LAMP KIT	HARNESS KIT	DRL KIT	Control Choice
3219 (continued) UltraMount® Plow	AY	UTP 8.5	67982	60308	66880	56588	61540-1	63420	61584	Choose either: #56369 Joystick Or #56462 CabCommand
	AZ	UTP 8.5	67982	60308	66880	56588	61540-1	63420	-----	
	BA	UTP 8.5	67982	60308	66880	56588	61540-1	63422	61584	
	BB	UTP 8.5	67982	60308	66880	56588	61540-1	63422	-----	
	BC	UTP 9.0	67982	60655	66880	56588	61540-1	63420	61584	
	BD	UTP 9.0	67982	60655	66880	56588	61540-1	63420	-----	
	BE	UTP 9.0	67982	60655	66880	56588	61540-1	63422	61584	
	BF	UTP 9.0	67982	60655	66880	56588	61540-1	63422	-----	
	BG	MVP 8.5	67982	63819	56810	66587	66640-2	63421	61584	
	BH	MVP 8.5	67982	63819	56810	66587	66640-2	63421	-----	
	BI	MVP 8.5	67982	63819	56810	66587	66640-2	63423	61584	
	BJ	MVP 8.5	67982	63819	56810	66587	66640-2	63423	-----	
	BK	MVP 9.5	67982	63808	56810	66587	66640-2	63421	61584	
	BL	MVP 9.5	67982	63808	56810	66587	66640-2	63421	-----	
BM	MVP 9.5	67982	63808	56810	66587	66640-2	63423	61584		
BN	MVP 9.5	67982	63808	56810	66587	66640-2	63423	-----		

## WEIGHT AND DIMENSIONAL CHART

PLOWS		ACCESSORIES EFFECTIVE ADDED WEIGHT (lbs.)			VARIABLES (in.)
SIZE	WEIGHT (lbs.)	POLY DEFLECTOR	RUBBER DEFLECTOR	CUTTING EDGE 1/2"	Z (in.)
6-1/2' UTS	589	17.1	26.4	---	19.6
7' UTS	599	18.2	28.1	---	19.8
7-1/2' UTS	614	19.1	29.6	25.7	20.1
7-1/2' UTSY	644	----	----	24.7	21.3
7-1/2' UTP	682	19.2	29.7	25.8	20.8
7-1/2' UTPY	719	----	----	24.8	22.7
8' UTP	699	20.1	33.8	27.4	21.3
8' UTPY	727	----	----	26.9	22.5
8-1/2' UTP	715	21.1	35.5	28.8	21.5
9' UTP	734	22.1	37.1	30.2	21.8
8.5' MVP	899	----	----	----	24.0
9.5' MVP	949	----	----	----	25.0

#	MOUNT WEIGHT	X	Y	VEHICLE USE	YEAR
1589	40.7	31.3	7.6	Chevy/GMC K1500, K2500, 3500(4x4 & 4x2 over 10,000 GVWR), Suburban/Yukon XL (2500)	1988 - 1999
3519	33.8	29.1	7.6	Chevy/GMC Light Truck (1500 4x4), Avalanvhe 1500	1999 - Later
3529	54.2	32.4	11.4	Chevy/GMC Light Truck (2500 4x4), Suburban/Yukon XL (2500), Avalanvhe 2500	1999 - Later
959	39.6	30.0	8.0	Dodge Ram W1500	2002 - Later
969	47.0	37.0	6.9	Dodge Ram W2500 & W3500	2003
989	51.0	35.0	8.5	Dodge Ram W1500	1994 - 2001
989	51.0	35.0	8.5	Dodge Ram W2500 & W3500	1994 - 2002
1299	83.1	32.9	8.3	Ford F150, Bronco	1992 - 1996
1299	83.1	32.9	8.3	Ford F250, F350	1992 - 1998
1229	43.6	35.1	8.7	Ford F150, F250 LD, Expedition	1997 - Later
3219	68.9	30.4	9.0	Ford F250/350(4x4, 2wd Over 8,500 GVWR) SuperDuty, Excursion	1999 - Later



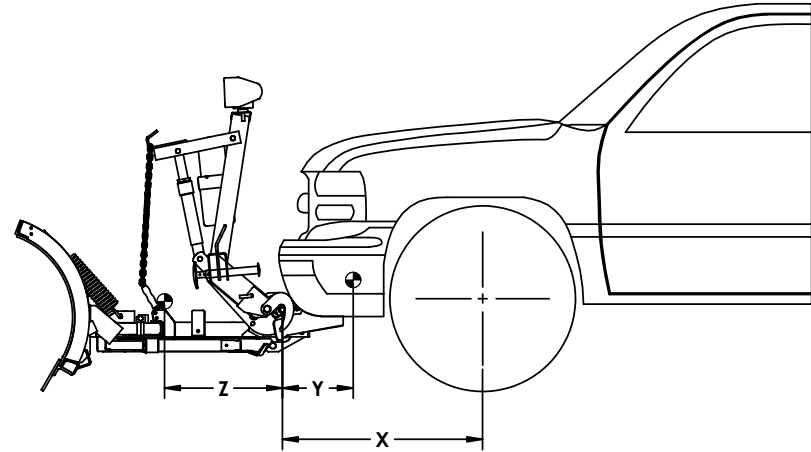
## DIMENSIONAL DIAGRAM

### VARIABLES:

**X = Distance from  $Q_c$  of front axle to receiver pin.**

**Y = Distance from receiver pin to CG of the mount.**

**Z = Distance from receiver pin to the CG of the plow.**



Example: Weight that one would use if they had a 7-1/2' UTPY with the poly deflector and a 1/2" cutting edge.

The weight of the plow alone with no accessories would be 719 lbs. with its center of gravity 22.7 in. from the coupling point.

To add the weight of the accessories, look in the row with the blade 7-1/2' UTPY to find the effective poly deflector weight of 18.4 lbs. and the effective cutting edge weight of 24.8 lbs.

The total weight of the blade and accessories will be:

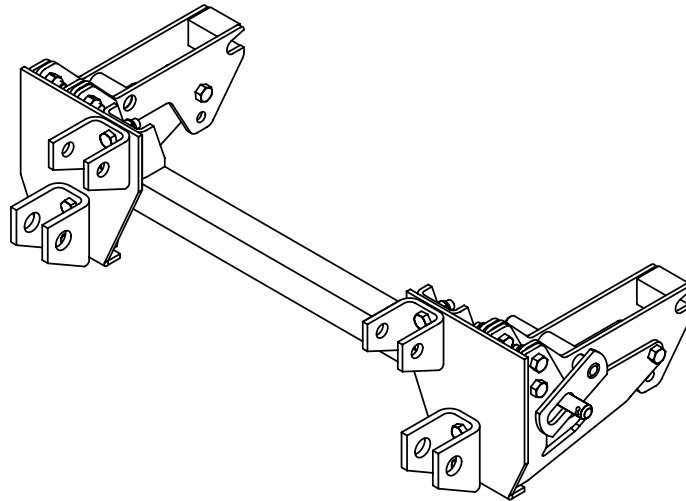
719.0
18.4
24.8
<hr style="width: 50px; margin-left: 0;"/>
762.2 with its center of gravity still at 22.7 in. from the coupling point

**ALWAYS** comply with the vehicle manufacturer's stated gross vehicle and axle weight ratings (found on the driver side door jam of the vehicle) and front and rear weight distribution ratio with the snowplow installed. In some cases, rear ballast may be required to achieve these requirements.

Available vehicle capacities for after-market equipment and components can be determined by using the above information along with information provided by the vehicle manufacturers Body Builder Guides. Follow all requirements and recommendations as stated by vehicle manufacturer.



# UltraMount® to UniMount® Conversion Kit



This easy to use UltraMount® to UniMount® conversion kit enables you to attach a UniMount® plow to a vehicle equipped with an UltraMount® mount.

Simply remove the receivers from your UltraMount System mount, and pin the conversion plate in place. This accessory is perfect for customers with multiple snowplows, providing their fleet with versatility while changing to the UltraMount System.

This new kit is also ideal for transferring an old UniMount plow to a new truck. As new trucks are released, we will develop only new UltraMounts for these plow applications. This will allow the customer to transfer an existing UniMount plow to the late model vehicle. In addition, when customers are ready to replace their old UniMount plow, the truck will already have the mount and wiring for an UltraMount plow.

To qualify the vehicle and determine ballast, you must fill out the **VEHICLE AND PLOW APPLICATION INQUIRY SHEET**

## **⚠ WARNING**

**CONVERSION KIT USE IS LIMITED TO  
VEHICLES UNDER 10,000 LBS. GVWR**

## **⚠ WARNING**

**Do not exceed GVWR or GAWR, including  
blade and ballst. The rating label is found  
on the driver-side, vehicle door cornerpost.**

**Note: When ballast is required it should be secured behind the rear wheels in a manner which prevents it from sliding during normal driving. Western Products offers an optional ballast retainer kit (62849) for this purpose.**

## **BALLAST INQUIRY SHEET ON FOLLOWING PAGE**

The following sheet is to be used for:

**4WD (Four Wheel Drive) Chassis Cabs with a GVWR of 8,500 lb. or higher**

**2WD (Two Wheel Drive) Chassis Cabs with a GVWR of 10,000 lb. or higher**

***Any vehicles that did not have enough information at the time of this publication.***

**Exceptions are those vehicles that are listed as Chassis Cab in Selection List that are other than above.**

This form is to be filled out when assistance is necessary to determine the appropriate ballast/plow combinations for the vehicle in question.

This form must be completed in its entirety.

Any forms containing incomplete information will not be considered.

**VEHICLE MUST BE WEIGHED COMPLETE AND EMPTY (NO OCCUPANTS, PLOW and/or PLOW MOUNT)**

Please return a completed copy of the opposite side via fax (414) 354-6664.

# VEHICLE AND PLOW APPLICATION INQUIRY SHEET



**Western Products**  
 7777 North 73<sup>rd</sup> Street  
 Milwaukee, WI 53223

Telephone (414) 354-2310  
 Fax (414) 354-6664

DISTRIBUTOR		TEL	
		FAX	
CUSTOMER			
VIN		DATE BUILT	
SELECT MOUNT TYPE	<input type="checkbox"/> UniMount <sup>®</sup> <input type="checkbox"/> UltraMount <sup>®</sup> <input type="checkbox"/> Conversion Kit		

## VEHICLE INFORMATION

YEAR	
MAKE	
MODEL	
DRIVE TRAIN	<input type="checkbox"/> 2WD <input type="checkbox"/> 4WD <input type="checkbox"/> ALL WHEEL <input type="checkbox"/> OTHER
DRW (Dual Rear Wheels)	<input type="checkbox"/> YES <input type="checkbox"/> NO
BODY STYLE	<input type="checkbox"/> REG CAB <input type="checkbox"/> X-CAB <input type="checkbox"/> OTHER
BOX OPTION (S)	<input type="checkbox"/> DUMP BOX <input type="checkbox"/> STAKE BED <input type="checkbox"/> OTHER
ENGINE TYPE	
GFAWR	
GRAWR	
GVWR	

### HORIZONTAL DISTANCE DESCRIPTION

L31	DRIVERS hip point; in MIDDLE position, to Centerline of FRONT axle	(in.)
L101	Between axles (Wheelbase)	(in.)
L104	Middle of FRONT bumper to centerline of FRONT axle	(in.)
	Middle of ballast location to centerline of REAR axle	(in.)

### VEHICLE WEIGHT (TRUCK MUST BE WEIGHED COMPLETE AND EMPTY (-) PLOW & MOUNT)

FRONT (lb)		REAR (lb)	
------------	--	-----------	--

### FUEL TANKS (ONLY NEEDED IF WEIGHED VEHICLE NOT FULLY FUELED)

	LEVEL (see below)	CAPACITY (gal.)	LOCATION FROM AXLE TO CENTER OF TANK(in.)
FRONT OF AXLE			
REAR OF AXLE			

FUEL LEVEL (EMPTY = 0, HALF = 1/2, FULL = 1)

**THIS FORM MUST BE COMPLETED IN ITS ENTIRETY. ANY FORMS CONTAINING INCOMPLETE INFORMATION WILL NOT BE CONSIDERED. PLEASE RETURN VIA FAX (414) 354-6664.**

This form is for use with: 4WD (Four Wheel Drive) Chassis Cabs w/ minimum of 8,500 lb.GVWR or 2WD (Two Wheel Drive) Chassis Cabs w/ minimum of 10,000 lb.GVWR.

WESTERN PRODUCTS and the vehicle manufacturer may require or recommend optional equipment for snow removal. See the WESTERN PRODUCTS Selection List for additional product information.





