

2003




UniMount SYSTEM

SELECTION LIST

----- REVISION 0 -----

Form #64136-120102

WESTERN PRODUCTS • P.O. BOX 245038 • MILWAUKEE, WISCONSIN 53224-9538

 A Division of Douglas Dynamics, L.L.C.

Printed in the U.S.A.

The following are registered trademarks of Douglas Dynamics, L.L.C.: WESTERN®, UniMount®, and MVP®.

Western Products reserves the right under its product improvement policy to change construction or design details and furnish equipment when so altered without reference to illustrations or specifications used herein. Western Products and the vehicle manufacturer may require and/or recommend optional equipment for snow removal.

CONTENTS



ABOUT THE SELECTION LIST	iii
VEHICLE LAMP IDENTIFICATION GUIDE	iv
DEFINITIONS	v
HOW TO USE THE SELECTION LIST	vi
INSTRUCTIONS FOR VEHICLES WITH DIFFERENT FGAWR's	vii
1 CHEVY / GMC	1
2 DODGE	5
3 FORD (SPRING CHART).....	7
FORD	8
FORD F450 & F550	13
4 OTHER	17
6 UNIVERSAL	19
WEIGHT AND DIMENSIONAL CHART	21
DIMENSIONAL DIAGRAM	22
UltraMount® to UniMount® Conversion Kit.....	24
VEHICLE AND PLOW APPLICATION INQUIRY SHEET	25

2003 UniMount SELECTION LIST

Western Products' published vehicle recommendations are based on the following:

- Compliance with the vehicle manufacturer's stated gross vehicle and axle weight ratings (found on the driver side door jam of the vehicle) and front and rear weight distribution ratio with the snowplow installed. In some cases, rear ballast may be required to achieve these requirements.
- Available capacity for the snowplow equipment is based on a representative vehicle as configured by the original vehicle manufacturer. Available capacity decreases as the vehicle is loaded with cargo or by the installation of other truck equipment or accessories. If there is uncertainty as to whether available capacity exists, the actual vehicle as configured must be weighed. For more information, see the weight and dimensional chart located at the end of the Selection List.
- Installation, modifications and addition of accessories must comply with published Western Products recommendations and instructions.
- Compliance with applicable FMVSS (Federal Motor Vehicle Safety Standards) must be met.
- In some cases, there may be additional limitations and requirements such as special vehicle options and specifications, or air bags/lift kits.

You will see more specific requirements listed as you use the Selection List to identify plow vehicles including: body style, engine size, ballast requirements, and minimum front gross axle weight ratings (FGAWR).

Discuss the following topics with each of your plowing customers and prospective plow purchasers.

BALLAST

Ballast is an important part of qualifying vehicles for plow eligibility. Rear ballast must be used when recommended to remain in compliance with axle ratings and ratios as specified by the vehicle manufacturer. If ballast is required, it is important that it be secured properly behind the rear axle. A ballast retainer kit is available from Western Products, part #62849.

PLOWING RECOMMENDATIONS

It is also important to remember that in all plowing applications, Western Products recommends only the driver in the vehicle.

Although plowing conditions can vary widely, as a general guideline Western Products recommends the maximum plowing speed of 10 mph and the maximum recommended transport speed of 45 mph.

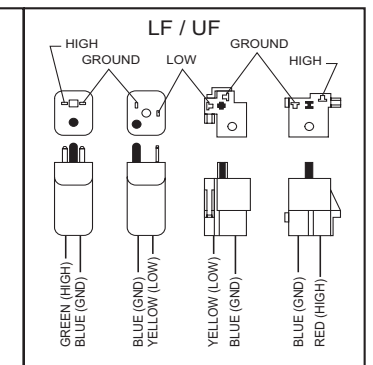
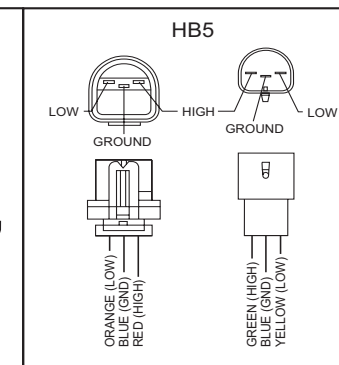
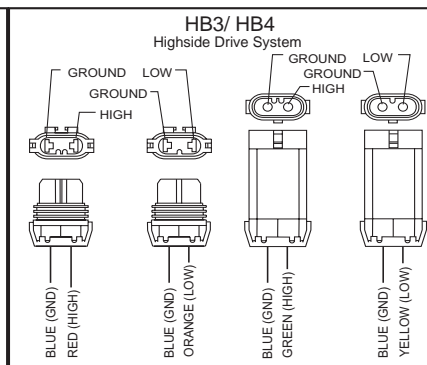
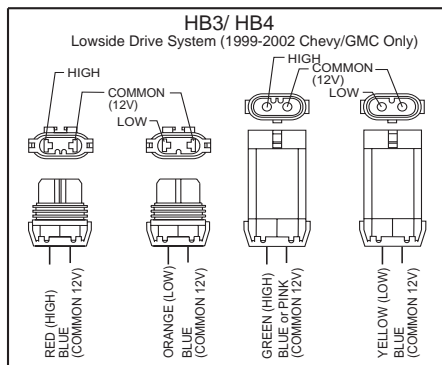
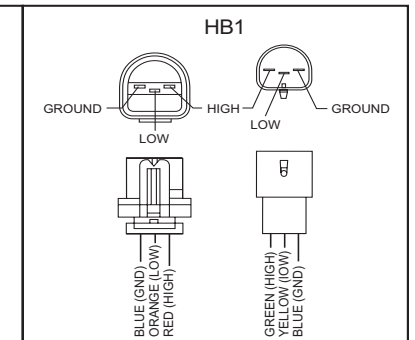
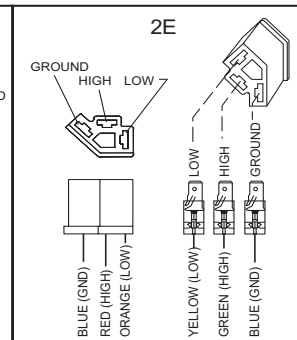
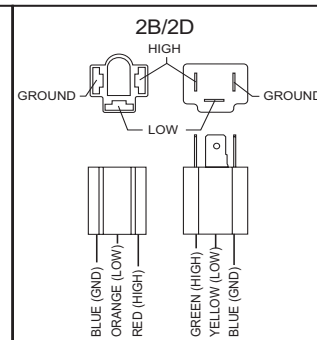
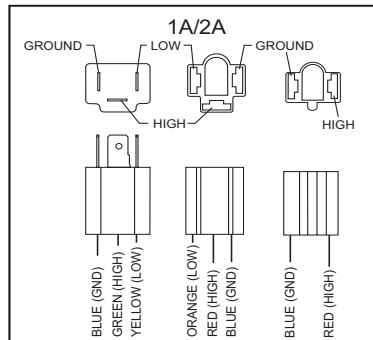
VEHICLE LAMP IDENTIFICATION GUIDE

NOTE: The lamp type is usually embossed in the headlamp lens.

NOTE: Blue ground wires may be LT or DK BLUE, w/ or w/o WHT stripe, depending on harness.

Headlamp Type	Bulb Type
LF	H4703
UF	H4701
1A1	H4651
2A1	H4652(Chevy/GMC)
2B1	H6054
2D1	H6024
2E1	H6545
HB1	9004
HB3	9005
HB4	9006
HB5	9007

LAMP TYPE	LAMP SIZE	CONFIGURATION	DESCRIPTION
1A / 2A	4" x 6.5"		Quad Rectangular Lamp
2B	5.5" x 7.88"		Dual Rectangular Lamp
2D	7" DIA.		Dual Round Lamp
2E	4" x 6.5"		Dual Rectangular (Small Halogen Lamp)
HB1	Can Vary		Dual Rectangular Halogen Lamp
HB3 / HB4	Can Vary		Quad Composite Halogen Lamp
HB5	Can Vary		Dual Rectangular Halogen Lamp
LF / UF	3.64" x 5.93"		Quad Rectangular Halogen Lamp



BLADE ABBREVIATIONS		
PLOW TYPE	BLADE TYPE	BLADE SIZES
U - UniMount [®] plow	SU - Sport/Utility*	6.5 - 6-1/2'
	LSX - Light Service	7.0 - 7'
	S - Standard	7.2 - 7' 2"
	SY - Standard Poly	7.5 - 7-1/2'
	P - Pro-Plow [™]	8.0 - 8'
	PY - Poly Pro-Plow [™]	8.5 - 8-1/2'
	HW - Heavy Weight	9.0 - 9'
	MVP [®] - MultiPosition V-plow	9.5 - 9-1/2'
		10.0 - 10'

*For non-commercial use only

ASSEMBLIES	DEFINITION
BLADE ASSEMBLY	UniMount [®] blade MVP [®] blade and A-frame
ATTACHMENT ASSEMBLY	UniMount [®] A-frame, quadrant & lift frame MVP [®] lift frame

ABBREVIATION	DESCRIPTION
2WD	Two wheel drive
4x4	Four wheel drive
A,Q&L	A-frame, quadrant & lift frame
B	Ballast required
DRL	Daytime running lights
DRW	Dual rear wheels
FGAWR	Front gross axle weight rating
GVWR	Gross vehicle weight rating
HD	Heavy duty
HW	Heavy Weight
HYD	Hydraulic
L	Lift frame
LSX	Light Service
MIN	Minimum
MVP [®]	MultiPosition V-plow
N	No
O	Plow option
P	Pro-Plow [™]
PKG	Package
PY	Poly Pro-Plow [™]
REQ	Required
S	Standard
SU	Sport/Utility*
SUSP	Suspension
SY	Standard Poly
U	UniMount [®] plow
W	With
W/O	Without
X-CAB	Extended cab vehicle
Y	Yes

HOW TO USE THE SNOWPLOW SELECTION LIST

Determining plow options:

- 1.) Locate vehicle by make, 4 wheel (4x4) or 2 wheel (2WD) drive, model, year and body style (columns 1 & 2)
- 2.) Column 3 labeled "OTHER" will list other requirements or modifications if needed for plow compatibility.
- 3.) Verify that vehicle meets any engine and FGAWR (front gross axle weight rating) (columns 4 and 5).
FGAWR can be found on the driver side door jam.
- 4.) Identify vehicle headlamp type and whether or not it is DRL (Daytime Running Lights) equipped (columns 6 and 7)
By answering the DRL question, you have now narrowed your choices down to one row.
- 5.) Reading across, you will first see the plow model number and type letter code (column 8) U - UniMount® PLOW followed by the recommended plow options and ballast requirements available for that vehicle (columns 9 through 36).
- 6.) Once you have determined which plow option you want, use the letters in the appropriate box along with the plow model number (in this example 3525) and turn to the component list found at the end of each manufacturer's section to find the individual component numbers that make up that plow. You may order two ways:
A) By complete plow using the complete plow code. (example: ordering a 3525AA will fill the order for a 63360-1, 60018, 61720, 56365, 64078, 64077, and NO additional DRL kit)
B) By *individual component* using the corresponding part numbers. (example: ordering just the 62110, you are ordering the 7.5' Standard Poly blade.)
- 7.) Vehicle information that is highlighted in **BLACK** indicates a change since the last revision of selection list.
- 8.) Vehicles with a ? In the ballast columns indicate that there is a mount available for that vehicle but one must weigh completed vehicle to determine plow size and ballast. See "Weight and Dimensional Chart" at end of selection list along with Body Builders Guides for necessary vehicle information.

Col. 1	Col. 2	Col. 3	Col. 4	Col. 5	Col. 6	Col. 7	Col. 8	Col. 9-28 (Number of columns vary by plow availability for specific truck manufacturer)																					
FOUR WHEEL DRIVE Vehicle Options								CHEVY/GMC																					
MODEL/ CHASSIS	BODY STYLE	OTHER	ENGINE(S)	MIN FGAWR	HEAD LAMP	DRL ?	PLOW MODEL	Plow Options (O) and Ballast Required (B)																					
								LSX 7.2		S 7.5		SY 7.5		P 7.5		PY 7.5		P 8.0		PY 8.0		P 8.5		P 9.0		MVP 8.5			
								O	B	O	B	O	B	O	B	O	B	O	B	O	B	O	B	O	B	O	B	O	B
SILVERADO/SIERRA K2500 Pick-up 4x4 (Bumper notching required)	X-Cab	8.5' Box Z85 or Snowplow prep. package recommended	6.0L V8	4500	HB3/HB4	Y	3525	AJ	200	AA	250	AB	300	AC	350	AD	400	AE	350	AF	400	AG	350	AH	400	AI	450		
				4410	HB3/HB4	Y	U	AJ	200	AA	250	AB	300	AC	350	AD	400	AE	350	AF	400	AG	350	AH	400	AI	450		

CHEVY/GMC									
COMPLETE PLOW			COMPONENT NUMBERS						
MODEL	OPTION	BLADE SIZE	MOUNT ASSEMBLY	BLADE ASSEMBLY	ATTACHMENT ASSEMBLY	HYDRAULIC ASSEMBLY	LAMP KIT	HARNESS KIT	DRL KIT
3525 UNIMOUNT® PLOW	AA	S 7.5	63360-1	60018	61720	56365	64078	64077	----
	AB	SY 7.5	63360-1	62110	62120	56365	64078	64077	----
	AC	P 7.5	63360-1	60381	63568	56365	64078	64077	----
	AD	PY 7.5	63360-1	62400	63568	56365	64078	64077	----
	AE	P 8.0	63360-1	60390	63568	56365	64078	64077	----
	AF	PY 8.0	63360-1	62450	63568	56365	64078	64077	----
	AG	P 8.5	63360-1	60308	63568	56365	64078	64077	----
	AH	P 9.0	63360-1	60655	63568	56365	64078	64077	----
	AI	MVP 8.5	63360-1	62600	62650	66587	64078	64085	----
	AJ	LSX 7.2	63360-1	63472	63470	56545	64078	64077	----

Instructions for Vehicles with Different Front Gross Axle Weight Ratings (FGAWR)

1. Calculate the change in ballast required for alternate FGAWR's using the following formula:

$$\text{Additional Ballast} = (R1 - R2) \times L101 \div (L105 - 14)$$

Key:

R1 = FGAWR as found in the Selection List.

R2 = FGAWR as indicated on rating label found on the driver-side vehicle door cornerpost.

L101 = vehicle's wheelbase

L105 = distance from the rear axle to the tailgate's rear surface

2. When R2 is higher than R1, the ballast calculated above can be removed from the amount specified in the Selection List. When R1 is higher than R2, the ballast calculated above must be added to the amount specified in the Selection List.



Do not exceed GVWR or GAWR, including blade and ballast. The rating label is found on the driver-side vehicle door cornerpost

NOTE: When ballast is required, it should be secured behind the rear wheels in a manner which prevents it from sliding during normal driving. Western Products offers an optional ballast retainer kit (62849) for this purpose.

NOTE: New UNTITLED vehicle installation of a snow plow requires National Highway Traffic Safety Administration altered vehical certification certification labeling. Installer to verify that selected snow plow and ballast, if required, do not exceed GVWR or GAWR rating label.

CHEVY/GMC

FOUR WHEEL DRIVE Vehicle Options							Plow Options (O) and Ballast Required (B)																						
MODEL/ CHASSIS	BODY STYLE	OTHER	ENGINE(S)	MIN FGAWR	HEAD LAMP	DRL ?	PLOW MODEL	LSX 7.2		S 7.5		SY 7.5		P 7.5		PY 7.5		P 8.0		PY 8.0		P 8.5		P 9.0		MVP 8.5			
								O	B	O	B	O	B	O	B	O	B	O	B	O	B	O	B	O	B	O	B	O	B
SILVERADO/SIERRA K2500HD Pick-up 4x4 (Bumper notching required) (continued)	X-Cab (continued)	8.0' Box Z85 or Snowplow prep. package recommended	6.0L V8	4800	HB3/HB4	Y	3525 U	AK	150	AL	200	AM	250	AN	300	AO	300	AP	300	AQ	350	AR	300	AS	350	AT	400		
				4670	HB3/HB4	Y		AK	150	AL	200	AM	250	AN	300	AO	300	AP	300	AQ	350	AR	300	AS	350	AT	400		
			8.1L V8	4800	HB3/HB4	Y		AK	250	AL	350	AM	350	AN	400	AO	450	AP	400	AQ	450	AR	450	AS	450	AT	900		
				4670	HB3/HB4	Y		AK	250	AL	350	AM	400	AN	650	AO	850	AP	750	AQ	900	AR	800	AS	950				
			6.6L Diesel	4800	HB3/HB4	Y		AK	300	AL	400	AM	450	AN	650	AO	900	AP	800	AQ	950	AR	850	AS	1000				
				4670	HB3/HB4	Y		AK	300	AL	800	AM	950																
	Crew Cab	6.5' Box Z85 or Snowplow prep. package recommended Min. 9,200 lb. GVWR	6.0L V8	4800	HB3/HB4	Y		AK	50	AL	150	AM	200	AN	250	AO	250	AP	250	AQ	250	AR	250	AS	300	AT	350		
				4670	HB3/HB4	Y		AK	50	AL	150	AM	200	AN	250	AO	250	AP	250	AQ	250	AR	250	AS	300	AT	350		
			8.1L V8	4800	HB3/HB4	Y		AK	150	AL	250	AM	300	AN	350	AO	450	AP	350	AQ	500	AR	400	AS	500				
		4670		HB3/HB4	Y	AK		150	AL	300	AM	500	AN	800			AP	900			AR	1000							
		6.6L Diesel	4800	HB3/HB4	Y	AK		250	AL	450	AM	650	AN	900															
			4670	HB3/HB4	Y	AK		350																					
	8.0' Box Z85 or Snowplow prep. package recommended Min. 9,200 lb. GVWR	6.0L V8	4800	HB3/HB4	Y	AK		100	AL	200	AM	200	AN	250	AO	300	AP	250	AQ	300	AR	250	AS	300	AT	350			
			4670	HB3/HB4	Y	AK		100	AL	200	AM	200	AN	250	AO	300	AP	250	AQ	300	AR	250	AS	300	AT	350			
		8.1L V8	4800	HB3/HB4	Y	AK		150	AL	250	AM	300	AN	300	AO	500	AP	400	AQ	550	AR	500	AS	600					
			4670	HB3/HB4	Y	AK		150	AL	400	AM	600	AN	850			AP	950											
		6.6L Diesel	4800	HB3/HB4	Y	AK		250	AL	650	AM	800																	
			4670	HB3/HB4	Y	AK		550																					
SILVERADO/SIERRA K2500 Chassis Cab 4x4 (Bumper notching required)	All	Z85 or Snowplow package recommended Min. 8,500 lb. GVWR	All	All	HB3/HB4	Y	3525 U	AK	?	AL	?	AM	?	AN	?	AO	?	AP	?	AQ	?	AR	?	AS	?	AT	?		
SILVERADO/SIERRA K3500 Pick-up 4x4 (Bumper notching required)	Reg Cab	8.0' Box Dual rear wheels Z85 or Snowplow prep. package recommended	6.0L V8	4800	HB3/HB4	Y	3525 U															AR	100	AS	100	AT	200		
				4500	HB3/HB4	Y																		AR	100	AS	100	AT	200
			8.1L V8	4800	HB3/HB4	Y																			AR	250	AS	250	AT
		4500		HB3/HB4	Y																			AR	650	AS	750		
		6.6L Diesel	4800	HB3/HB4	Y																			AR	300	AS	300	AT	700
	X-Cab	8.0' Box Dual rear wheels Z85 or Snowplow prep. package recommended	6.0L V8	4800	HB3/HB4	Y																		AR	50	AS	100	AT	150
			8.1L V8	4800	HB3/HB4	Y																			AR	200	AS	200	AT
		4800		HB3/HB4	Y																			AR	550	AS	650		
		6.6L Diesel	4800	HB3/HB4	Y																								
Crew Cab	8.0' Box Dual rear wheels Z85 or Snowplow prep. package recommended	6.0L V8	4800	HB3/HB4	Y																	AR	0	AS	50	AT	100		
		8.1L V8	4800	HB3/HB4	Y																	AR	950						
SILVERADO/SIERRA K3500 Chassis Cab 4x4 (Bumper notching required)	All	Dual rear wheels Min. 8,500 lb. GVWR	All	All	HB3/HB4	Y	3525 U															AR	?	AS	?	AT	?		
SILVERADO/SIERRA K3600 Chassis Cab 4x4 (Straight Frame) (Bumper notching required)	All	Dual rear wheels Min. 8,500 lb. GVWR	All	All	HB3/HB4	Y	3525 U																AR	?	AS	?	AT	?	

CHEVY/GMC

COMPLETE PLOW			COMPONENT NUMBERS						
MODEL	OPTION	BLADE SIZE	MOUNT ASSEMBLY	BLADE ASSEMBLY	ATTACHMENT ASSEMBLY	HYDRAULIC ASSEMBLY	LAMP KIT	HARNESS KIT	DRL KIT
1565 UNIMOUNT® PLOW	AA	P 8.5	62090	60308	63568	56365	61540-1	61545	61584
	AB	P 8.5	62090	60308	63568	56365	61540-1	61515	61584
	AG	P 9.0	62090	60655	63568	56365	61540-1	61545	61584
	AH	P 9.0	62090	60655	63568	56365	61540-1	61515	61584
	AM	MVP 8.5	62090	62600	62650	66587	66640-2	61546	61584
	AN	MVP 8.5	62090	62600	62650	66587	66640-2	61716	61584
3515 UNIMOUNT® PLOW	AK	LSX 7.2	63300	63472	63470	56545	64078	64077	----
	AL	S 7.5	63300	60018	61720	56365	64078	64077	----
	AM	SY 7.5	63300	62110	62120	56365	64078	64077	----
	AN	P 7.5	63300	60381	63568	56365	64078	64077	----
	AO	PY 7.5	63300	62400	63568	56365	64078	64077	----
	AP	P 8.0	63300	60390	63568	56365	64078	64077	----
	AQ	PY 8.0	63300	62450	63568	56365	64078	64077	----
3525 UNIMOUNT® PLOW	AK	LSX 7.2	63360-1	63472	63470	56545	64078	64077	----
	AL	S 7.5	63360-1	60018	61720	56365	64078	64077	----
	AM	SY 7.5	63360-1	62110	62120	56365	64078	64077	----
	AN	P 7.5	63360-1	60381	63568	56365	64078	64077	----
	AO	PY 7.5	63360-1	62400	63568	56365	64078	64077	----
	AP	P 8.0	63360-1	60390	63568	56365	64078	64077	----
	AQ	PY 8.0	63360-1	62450	63568	56365	64078	64077	----
	AR	P 8.5	63360-1	60308	63568	56365	64078	64077	----
	AS	P 9.0	63360-1	60655	63568	56365	64078	64077	----
AT	MVP 8.5	63360-1	62600	62650	66587	64078	64085	----	

DODGE

COMPLETE PLOW			COMPONENT NUMBERS						
MODEL	OPTION	BLADE SIZE	MOUNT ASSEMBLY	BLADE ASSEMBLY	ATTACHMENT ASSEMBLY	HYDRAULIC ASSEMBLY	LAMP KIT	HARNESS KIT	DRL KIT
3915 UNIMOUNT® PLOW	AA	S 7.0	63620	60125	61720	56365	61540-1	63412	61584
	AB	S 7.0	63620	60125	61720	56365	61540-1	63412	-----
	AC	LSX 7.2	63620	63472	63470	56545	61540-1	63412	61584
	AD	LSX 7.2	63620	63472	63470	56545	61540-1	63412	-----
	AE	S 7.5	63620	60018	61720	56365	61540-1	63412	61584
	AF	S 7.5	63620	60018	61720	56365	61540-1	63412	-----
	AG	SY 7.5	63620	62110	62120	56365	61540-1	63412	61584
	AH	SY 7.5	63620	62110	62120	56365	61540-1	63412	-----
	AI	P 7.5	63620	60381	63568	56365	61540-1	63412	61584
	AJ	P 7.5	63620	60381	63568	56365	61540-1	63412	-----
	AK	PY 7.5	63620	62400	63568	56365	61540-1	63412	61584
	AL	PY 7.5	63620	62400	63568	56365	61540-1	63412	-----

FORD F-SUPER DUTY FRONT SPRING CODES (LOCATED ON LOWER RIGHT HAND CORNER OF DOOR STICKER)

A verification of the actual spring rating may be required on F-250/350/450/550 built to date. The FGAWR value may not be correct on the rating label located on the drivers side door cornerpost. To verify this, compare the **FIRST LETTER** of the spring code located on the lower right hand side of the rating label to the charts below to find the actual spring rating. Tires must be inflated to 65 psi for LT235 and 55 for LT265 to obtain proper tire capacity.

A vehicle certification label will have to be attached to the vehicles door cornerpost. Contact the National Truck-Equipment Association (N.T.E.A.) for information and certification labels. (800) 441-6832

Refer to service bulletin **SP716** for additional information.

Note: Trucks with sway bars may require the removal of the sway bar to clear certain plow mounts.

SUPER DUTY F-SERIES / MODEL	CODE	FGAWR
F-250-350 2WD	B	3200
	C	3350
	D	3500
	E	3650
	F	3800
	G	3950
	H	4100
	I	4250
	J	4400
	K	4550
	L	4700

SUPER DUTY F-SERIES / MODEL	CODE	FGAWR
F-250-350 4x4	R	3600
	S	4000
	T	4400
	U	4800
	V	5200
	*W	5600
	*X	6000

* These options provide a
MAXIMUM FGAWR of 5200.

SUPER DUTY F-SERIES / MODEL	CODE	FGAWR
F-450-550	W	5600
	X	6000

FORD

FOUR WHEEL DRIVE Vehicle Options							Plow Options (O) and Ballast Required (B)																								
MODEL/ CHASSIS	BODY STYLE	OTHER	ENGINE(S)	MIN FGAWR	HEAD LAMP	DRL ?	PLOW MODEL	LSX 7.2		S 7.5		SY 7.5		P 7.5		PY 7.5		P 8.0		PY 8.0		P 8.5		P 9.0		MVP 8.5					
								O	B	O	B	O	B	O	B	O	B	O	B	O	B	O	B	O	B	O	B	O	B	O	B
Excursion 4x4			5.4L V8	4700	HB5	Y	3215 U			AA	0	AE	0	AI	0	AM	0	AQ	0	AU	50										
			6.8L V10	4700	HB5	Y				AA	0	AE	0	AI	150	AN	0	AR	0	AV	50										
						Y				AB	0	AF	0	AJ	150			AR	250												
F-150 Pick-up 4x4	Reg Cab	6.5' Box, Min. GVWR 6300 Snowplow prep. package recommended	5.4L V8	3600	HB5	Y	1225 U	AS	200	AA	350	AC	550	AE	750																
				3400	HB5	Y		AT	200	AB	350	AD	550	AF	750																
						Y		AS	500																						
		6.5' Box, Min. GVWR 6250 Snowplow prep. package recommended	4.6L V8	3600	HB5	Y		AS	200	AA	300	AC	350	AE	600					AI	700										
				3400	HB5	Y		AT	200	AB	300	AD	350	AF	600					AJ	700										
						Y		AS	350																						
		6.5' Box, Min. GVWR 6050 Snowplow prep. package recommended	4.2L V6	3400	HB5	Y		AS	150	AA	650																				
				3200	HB5	Y		AT	150	AB	650																				
						Y		AS	750																						
	8.0' Box, Min. GVWR 7700 Snowplow prep. package recommended	5.4L V8	4150	HB5	Y	AS		200	AA	300	AC	300	AE	350	AG	400	AI	350	AO	400	AK	400	AM	400	AQ	400					
					Y	AT		200	AB	300	AD	300	AF	350	AH	400	AJ	350	AP	400	AL	400	AN	400	AR	400					
					Y	AS		250																							
	8.0' Box, Min. GVWR 6300 Snowplow prep. package recommended	5.4L V8	3600	HB5	Y	AS		250																							
					Y	AT		250																							
					Y	AS		250	AA	600																					
	8.0' Box, Min. GVWR 6250 Snowplow prep. package recommended	4.6L V8	3600	HB5	Y	AS		250	AA	600																					
			3400	HB5	Y	AT		250	AB	600																					
					Y	AS		750																							
8.0' Box, Min. GVWR 6050 Snowplow prep. package recommended	4.2L V6	3600	HB5	Y	AS	200	AA	300	AC	450																					
		3400	HB5	Y	AT	200	AB	300	AD	450																					
				Y	AS	450																									
SuperCab	6.5' Box, Min. GVWR 7700 Snowplow prep. package recommended	5.4L V8	4150	HB5	Y	AS	100	AA	250	AC	250	AE	300	AG	350	AI	300	AO	350	AK	350	AM	350	AQ	450						
					Y	AT	100	AB	250	AD	250	AF	300	AH	350	AJ	300	AP	350	AL	350	AN	350	AR	450						
					Y	AS	300																								
	6.5' Box, Min. GVWR 6500 Snowplow prep. package recommended	5.4L V8	3600	HB5	Y	AS	300																								
				Y	AT	300																									
				Y	AS	150																									
6.5' Box, Min. GVWR 6250 Snowplow prep. package recommended	4.6L V8	3600	HB5	Y	AS	150																									
				Y	AT	150																									
				Y	AS	200																									
8.0' Box Snowplow prep. package recommended	4.6L V8	3768	HB5	Y	AS	200																									
				Y	AT	200																									
				Y	AS	200																									
F-250 Super Duty Pick-up 4x4 (Vehicles with cab lights also require kit # 61185) (See note on Spring Code and tire pressure on pg. 7)	Reg Cab	8.0' Box Snowplow prep. package recommended	5.4L V8	5200	HB5	Y	3215 U	BK	200	AA	300	AE	300	AI	350	AM	400	AQ	350	AU	400	AY	400	BC	400	BG	500				
						Y		BL	200	AB	300	AF	300	AJ	350	AN	400	AR	350	AV	400	AZ	400	BD	400	BH	500				
						Y		BM	200	AC	300	AG	300	AK	350	AO	400	AS	350	AW	400	BA	400	BE	400	BI	500				
		4800	HB5	Y	BK	200		AD	300	AH	300	AL	350	AP	400	AT	350	AX	400	BB	400	BF	400	BJ	500						
									Y	BK	200	AA	300	AE	300	AJ	350	AM	400	AQ	350	AU	400	AY	400	BC	400	BG	500		
									Y	BL	200	AB	300	AF	300	AJ	350	AN	400	AR	350	AV	400	AZ	400	BD	400	BH	500		
		4400	HB5	Y	BM	200		AC	300	AG	300	AK	350	AO	400	AS	350	AW	400	BA	400	BE	400	BI	500						
									Y	BN	200	AD	300	AH	300	AL	350	AP	400	AT	350	AX	400	BB	400	BF	400	BJ	500		
									Y	BK	200	AA	500	AE	650	AI	900														
	6.8L V10 (Air spring kit #63720 recommended on plows 8-1/2' & larger)	5200	HB5	Y	BL	200		AB	500	AF	650	AJ	900																		
									Y	BM	200	AC	500	AG	650	AK	900														
									Y	BN	200	AD	500	AH	650	AL	900														
	4800	HB5	Y	BK	250	AA		350	AE	400	AJ	400	AM	450	AQ	450	AU	450	AY	450	BC	450	BG	500							
								Y	BL	250	AB	350	AF	400	AJ	400	AN	450	AR	450	AV	450	AZ	450	BD	450	BH	500			
								Y	BM	250	AC	350	AG	400	AK	400	AO	450	AS	450	AW	450	BA	450	BE	450	BI	500			
	4400	HB5	Y	BN	250	AD		350	AH	400	AL	400	AP	450	AT	450	AX	450	BB	450	BF	450	BJ	500							
								Y	BK	250	AA	350	AE	400	AI	400	AM	450	AQ	450	AU	450	AY	450	BC	450	BG	650			
								Y	BL	250	AB	350	AF	400	AJ	400	AN	450	AR	450	AV	450	AZ	450	BD	450	BH	650			
	HB5	Y	BM	250	AC	350	AG	400	AK	400	AO	450	AS	450	AW	450	BA	450	BE	450	BI	650									
						Y	BN	250	AD	350	AH	400	AL	400	AP	450	AT	450	AX	450	BB	450	BF	450	BJ	650					
						Y	BK	350	AA	1000																					
	HB5	Y	BL	350	AB	1000																									
						Y	BM	350	AC	1000																					
						Y	BN	350	AD	1000																					

FORD

FOUR WHEEL DRIVE Vehicle Options

Plow Options (O) and Ballast Required (B)

MODEL/ CHASSIS	BODY STYLE	OTHER	ENGINE(S)	MIN FGAWR	HEAD LAMP	DRL ?	PLOW MODEL	Plow Options (O) and Ballast Required (B)																							
								LSX 7.2		S 7.5		SY 7.5		P 7.5		PY 7.5		P 8.0		PY 8.0		P 8.5		P 9.0		MVP 8.5					
								O	B	O	B	O	B	O	B	O	B	O	B	O	B	O	B								
F-250 Super Duty Pick-up 4x4 (Vehicles with cab lights also require kit # 61185) (See note on Spring Code and tire pressure on pg. 7) (Continued)	Reg Cab (Continued)	8.0' Box Snowplow prep. package recommended (Continued)	7.3L Diesel (Air spring kit #63720 recommended on plows 8-1/2' & larger)	5200	HB5	Y	3215 U	BK	400	AA	500	AE	550	AJ	600	AM	600	AQ	600	AU	600	AY	600	BC	650	BG	850				
								BL	400	AB	500	AF	550	AJ	600	AN	600	AR	600	AV	600	AZ	600	BD	650	BH	850				
								BM	400	AC	500	AG	550	AK	600	AO	600	AS	600	AW	600	BA	600	BE	650	BI	850				
								BN	400	AD	500	AH	550	AL	600	AP	600	AT	600	AX	600	BB	600	BF	650	BJ	850				
								BK	550																						
				BL	550																										
				BM	550																										
				BN	550																										
				BK	150	AA		250	AE	250	AI	300	AM	350	AQ	300	AU	350	AY	350	BC	350	BG	450							
				BL	150	AB		250	AF	250	AJ	300	AN	350	AR	300	AV	350	AZ	350	BD	350	BH	450							
	BM	150	AC	250	AG	250	AK	300	AO	350	AS	300	AW	350	BA	350	BE	350	BI	450											
	BN	150	AD	250	AH	250	AL	300	AP	350	AT	300	AX	350	BB	350	BF	350	BJ	450											
	BK	150	AA	250	AE	250	AI	300	AM	350	AQ	300	AU	350	AY	350	BC	350	BG	450											
	BL	150	AB	250	AF	250	AJ	300	AN	350	AR	300	AV	350	AZ	350	BD	350	BH	450											
	BM	150	AC	250	AG	250	AK	300	AO	350	AS	300	AW	350	BA	350	BE	350	BI	450											
	BN	150	AD	250	AH	250	AL	300	AP	350	AT	300	AX	350	BB	350	BF	350	BJ	450											
	BK	150	AA	250	AE	250	AI	300	AM	350	AQ	300	AU	350	AY	350	BC	350	BG	450											
	BL	150	AB	250	AF	250	AJ	300	AN	350	AR	300	AV	350	AZ	350	BD	350	BH	450											
	BM	150	AC	250	AG	250	AK	300	AO	350	AS	300	AW	350	BA	350	BE	350	BI	450											
	BN	150	AD	250	AH	250	AL	300	AP	350	AT	300	AX	350	BB	350	BF	350	BJ	450											
	BK	150	AA	250	AE	250	AI	300	AM	350	AQ	300	AU	350	AY	350	BC	350	BG	450											
	BL	150	AB	250	AF	250	AJ	300	AN	350	AR	300	AV	350	AZ	350	BD	350	BH	450											
	BM	150	AC	250	AG	250	AK	300	AO	350	AS	300	AW	350	BA	350	BE	350	BI	450											
	BN	150	AD	250	AH	250	AL	300	AP	350	AT	300	AX	350	BB	350	BF	350	BJ	450											
	BK	150	AA	250	AE	250	AI	300	AM	350	AQ	300	AU	350	AY	350	BC	350	BG	450											
	BL	150	AB	250	AF	250	AJ	300	AN	350	AR	300	AV	350	AZ	350	BD	350	BH	450											
	BM	150	AC	250	AG	250	AK	300	AO	350	AS	300	AW	350	BA	350	BE	350	BI	450											
	BN	150	AD	250	AH	250	AL	300	AP	350	AT	300	AX	350	BB	350	BF	350	BJ	450											
	BK	150	AA	250	AE	250	AI	300	AM	350	AQ	300	AU	350	AY	350	BC	350	BG	450											
	BL	150	AB	250	AF	250	AJ	300	AN	350	AR	300	AV	350	AZ	350	BD	350	BH	450											
	BM	150	AC	250	AG	250	AK	300	AO	350	AS	300	AW	350	BA	350	BE	350	BI	450											
	BN	150	AD	250	AH	250	AL	300	AP	350	AT	300	AX	350	BB	350	BF	350	BJ	450											
	BK	150	AA	250	AE	250	AI	300	AM	350	AQ	300	AU	350	AY	350	BC	350	BG	450											
	BL	150	AB	250	AF	250	AJ	300	AN	350	AR	300	AV	350	AZ	350	BD	350	BH	450											
	BM	150	AC	250	AG	250	AK	300	AO	350	AS	300	AW	350	BA	350	BE	350	BI	450											
	BN	150	AD	250	AH	250	AL	300	AP	350	AT	300	AX	350	BB	350	BF	350	BJ	450											
	BK	150	AA	250	AE	250	AI	300	AM	350	AQ	300	AU	350	AY	350	BC	350	BG	450											
	BL	150	AB	250	AF	250	AJ	300	AN	350	AR	300	AV	350	AZ	350	BD	350	BH	450											
	BM	150	AC	250	AG	250	AK	300	AO	350	AS	300	AW	350	BA	350	BE	350	BI	450											
	BN	150	AD	250	AH	250	AL	300	AP	350	AT	300	AX	350	BB	350	BF	350	BJ	450											
	BK	700																													
	BL	700																													
	BM	700																													
	BN	700																													
	BK	350	AA	450	AE	500	AI	500	AM	550	AQ	550	AU	550	AY	550	BC	550	BG	1000											
	BL	350	AB	450	AF	500	AJ	500	AN	550	AR	550	AV	550	AZ	550	BD	550	BH	1000											
	BM	350	AC	450	AG	500	AK	500	AO	550	AS	550	AW	550	BA	550	BE	550	BI	1000											
	BN	350	AD	450	AH	500	AL	500	AP	550	AT	550	AX	550	BB	550	BF	550	BJ	1000											
	BK	750																													
	BL	750																													
	BM	750																													
	BN	750																													
	BK	150	AA	250	AE	300	AI	300	AM	350	AQ	350	AU	350	AY	350	BC	350	BG	450											
	BL	150	AB	250	AF	300	AJ	300	AN	350	AR	350	AV	350	AZ	350	BD	350	BH	450											
	BM	150	AC	250	AG	300	AK	300	AO	350	AS	350	AW	350	BA	350	BE	350	BI	450											
	BN	150	AD	250	AH	300	AL	300	AP	350	AT	350	AX	350	BB	350	BF	350	BJ	450											
	BK	150	AA	250	AE	300	AI	300	AM	350	AQ	350	AU	350	AY	350	BC	350	BG	450											
	BL	150	AB	250	AF	300	AJ	300	AN	350	AR	350	AV	350	AZ	350	BD	350	BH	450											
	BM	150	AC	250	AG	300	AK	300	AO	350	AS	350	AW	350	BA	350	BE	350	BI	450											
	BN	150	AD	250	AH	300	AL	300	AP	350	AT	350	AX	350	BB	350	BF	350	BJ	450											
	BK	700																													
	BL	700																													
	BM	700																													
	BN	700																													
	BK	250	AA	350	AE	350	AI	400	AM	450	AQ	400	AU	450	AY	400	BC	450	BG	500											
	BL	250	AB	350	AF	350	AJ	400	AN	450	AR	400	AV	450	AZ	400	BD	450	BH	500											
	BM	250	AC	350	AG	350	AK	400	AO	450	AS	400	AW	450	BA	400	BE	450	BI	500											
	BN	250	AD	350	AH	350	AL	400	AP	450	AT	400	AX	450	BB	400	BF	450	BJ	500											

FORD

FOUR WHEEL DRIVE Vehicle Options

Plow Options (O) and Ballast Required (B)

MODEL/ CHASSIS	BODY STYLE	OTHER	ENGINE(S)	MIN FGAWR	HEAD LAMP	DRL ?	PLOW MODEL	LSX 7.2		S 7.5		SY 7.5		P 7.5		PY 7.5		P 8.0		PY 8.0		P 8.5		P 9.0		MVP 8.5								
								O	B	O	B	O	B	O	B	O	B	O	B	O	B	O	B	O	B	O	B	O	B	O	B			
F-350 Super Duty Pick-up 4x4 (Vehicles with cab lights also require kit # 61185) (See note on Spring Code and tire pressure on pg. 7) (Continued)	Reg Cab (Continued)	8.0' Box Dual rear wheels Snowplow prep. package recommended	5.4L V8	5200	HB5	Y	3215 U																AY	200	BC	250	BG	300						
																													AZ	200	BD	250	BH	300
																															BA	200	BE	250
																												BB	200	BF	250	BJ	300	
																												AY	200	BC	250	BG	300	
																												AZ	200	BD	250	BH	300	
																											BA	200	BE	250	BI	300		
																											BB	200	BF	250	BJ	300		
																											AY	250	BC	250	BG	350		
																											AZ	250	BD	250	BH	350		
																											BA	250	BE	250	BI	350		
																											BB	250	BF	250	BJ	350		
																											AY	250	BC	350	BG	850		
																											AZ	250	BD	350	BH	850		
																											BA	250	BE	350	BI	850		
																											BB	250	BF	350	BJ	850		
																											AY	400	BC	400	BG	950		
																											AZ	400	BD	400	BH	950		
																											BA	400	BE	400	BI	950		
																											BB	400	BF	400	BJ	950		
																											AY	350	BC	350	BG	450		
																											AZ	350	BD	350	BH	450		
																											BA	350	BE	350	BI	450		
																											BB	350	BF	350	BJ	450		
																								AY	350	BC	350	BG	450					
																								AZ	350	BD	350	BH	450					
																								BA	350	BE	350	BI	450					
																								BB	350	BF	350	BJ	450					
																								AY	400	BC	400	BG	500					
																								AZ	400	BD	400	BH	500					
																								BA	400	BE	400	BI	500					
																								BB	400	BF	400	BJ	500					
																								AY	400	BC	400	BG	500					
																								AZ	400	BD	400	BH	500					
																								BA	400	BE	400	BI	500					
																								BB	400	BF	400	BJ	500					
																								AY	400	BC	400	BG	500					
																								AZ	400	BD	400	BH	500					
																								BA	400	BE	400	BI	500					
																								BB	400	BF	400	BJ	500					
																								AY	550	BC	600	BG	1000					
																								AZ	550	BD	600	BH	1000					
																								BA	550	BE	600	BI	1000					
																								BB	550	BF	600	BJ	1000					
																								AY	350	BC	350	BG	450					
																								AZ	350	BD	350	BH	450					
																								BA	350	BE	350	BI	450					
																								BB	350	BF	350	BJ	450					
																							AY	350	BC	350	BG	900						
																							AZ	350	BD	350	BH	900						
																							BA	350	BE	350	BI	900						
																							BB	350	BF	350	BJ	900						
																							AY	400	BC	450	BG	500						
																							AZ	400	BD	450	BH	500						
																							BA	400	BE	450	BI	500						
																							BB	400	BF	450	BJ	500						
																							AY	900	BC	1000								
																							AZ	900	BD	1000								
																							BA	900	BE	1000								
																							BB	900	BF	1000								
																							AY	1000										
																							AZ	1000										
																							BA	1000										
																							BB	1000										
																							AY	200	BC	200	BG	300						
																							AZ	200	BD	200	BH	300						
																							BA	200	BE	200	BI	300						
																							BB	200	BF	200	BJ	300						
																							AY	400	BC	500								
																							AZ	400	BD	500								
																							BA	400	BE	500								
																							BB	400	BF	500								
																							AY	200	BC	250	BG	300						
																							AZ	200	BD	250	BH	300						
																							BA	200	BE	250	BI	300						
																							BB	200	BF	250	BJ	300						

FORD F450 & F550

FOUR WHEEL DRIVE Vehicle Options							Plow Options (O) and Ballast Required (B)													
MODEL/ CHASSIS	BODY STYLE	OTHER	ENGINE(S)	MIN FGAWR	HEAD LAMP	DRL ?	PLOW MODEL	P 8.5		P 9.0		MVP 8.5		PLOW MODEL	MVP 9.5		HW 9.0		HW 10.0	
								O	B	O	B	O	B		O	B	O	B	O	B
F-450 Super Duty Chassis Cab 4x4 (Vehicles with cab lights also require kit # 61185)	All	Dual rear wheels Min. 8,500 GVWR Snowplow prep. package recommended	All (Air spring kit #63720 recommended on plows 8-1/2' & larger)	All	HB5	Y	3215 U	AY	?	BC	?	BG	?	3225 U	AI	?	AA	?	AE	?
						N		AZ	?	BD	?	BH	?		AJ	?	AB	?	AF	?
						Y		BA	?	BE	?	BI	?		AK	?	AC	?	AG	?
						N		BB	?	BF	?	BJ	?		AL	?	AD	?	AH	?
F-550 Super Duty Chassis Cab 4x4 (Vehicles with cab lights also require kit # 61185)	All	Dual rear wheels Min. 8,500 GVWR Snowplow prep. package recommended	All (Air spring kit #63720 recommended on plows 8-1/2' & larger)	All	HB5	Y	3215 U	AY	?	BC	?	BG	?	3225 U	AI	?	AA	?	AE	?
						N		AZ	?	BD	?	BH	?		AJ	?	AB	?	AF	?
						Y		BA	?	BE	?	BI	?		AK	?	AC	?	AG	?
						N		BB	?	BF	?	BJ	?		AL	?	AD	?	AH	?
TWO WHEEL DRIVE Vehicle Options							Plow Options (O) and Ballast Required (B)													
MODEL/ CHASSIS	BODY STYLE	OTHER	ENGINE(S)	MIN FGAWR	HEAD LAMP	DRL ?	PLOW MODEL	P 8.5		P 9.0		MVP 8.5		PLOW MODEL	MVP 9.5		HW 9.0		HW 10.0	
								O	B	O	B	O	B		O	B	O	B		
F450 Super Duty Chassis Cab 2WD (Vehicles with cab lights also require kit # 61185)	All	Dual rear wheels Min. 10,000 GVWR Snowplow prep. package recommended	All (Air spring kit #63720 recommended on plows 8-1/2' & larger)	All	HB5	Y	3215 U	AY	?	BC	?	BG	?	3225 U	AI	?	AA	?	AE	?
						N		AZ	?	BD	?	BH	?		AJ	?	AB	?	AF	?
						Y		BA	?	BE	?	BI	?		AK	?	AC	?	AG	?
						N		BB	?	BF	?	BJ	?		AL	?	AD	?	AH	?
F550 Super Duty Chassis Cab 2WD (Vehicles with cab lights also require kit # 61185)	All	Dual rear wheels Min. 10,000 GVWR Snowplow prep. package recommended	All (Air spring kit #63720 recommended on plows 8-1/2' & larger)	All	HB5	Y	3215 U	AY	?	BC	?	BG	?	3225 U	AI	?	AA	?	AE	?
						N		AZ	?	BD	?	BH	?		AJ	?	AB	?	AF	?
						Y		BA	?	BE	?	BI	?		AK	?	AC	?	AG	?
						N		BB	?	BF	?	BJ	?		AL	?	AD	?	AH	?

FORD

COMPLETE PLOW			COMPONENT NUMBERS						
MODEL	OPTION	BLADE SIZE	MOUNT ASSEMBLY	BLADE ASSEMBLY	ATTACHMENT ASSEMBLY	HYDRAULIC ASSEMBLY	LAMP KIT	HARNESS KIT	DRL KIT
1225 UNIMOUNT® PLOW	AA	S 7.5	62225	60018	61720	56365	61540-1	63420	61584
	AB	S 7.5	62225	60018	61720	56365	61540-1	63420	----
	AC	SY 7.5	62225	62110	62120	56365	61540-1	63420	61584
	AD	SY 7.5	62225	62110	62120	56365	61540-1	63420	----
	AE	P 7.5	62225	60381	63568	56365	61540-1	63420	61584
	AF	P 7.5	62225	60381	63568	56365	61540-1	63420	----
	AG	PY 7.5	62225	62400	63568	56365	61540-1	63420	61584
	AH	PY 7.5	62225	62400	63568	56365	61540-1	63420	----
	AI	P 8.0	62225	60390	63568	56365	61540-1	63420	61584
	AJ	P 8.0	62225	60390	63568	56365	61540-1	63420	----
	AK	P 8.5	62225	60308	63568	56365	61540-1	63420	61584
	AL	P 8.5	62225	60308	63568	56365	61540-1	63420	----
	AM	P 9.0	62225	60655	63568	56365	61540-1	63420	61584
	AN	P 9.0	62225	60655	63568	56365	61540-1	63420	----
	AO	PY 8.0	62225	62450	63568	56365	61540-1	63420	61584
	AP	PY 8.0	62225	62450	63568	56365	61540-1	63420	----
	AQ	MVP 8.5	62225	62600	62650	66587	66640-2	63421	61584
	AR	MVP 8.5	62225	62600	62650	66587	66640-2	63421	----
AS	LSX 7.2	62225	63472	63470	56545	61540-1	63420	61584	
AT	LSX 7.2	62225	63472	63470	56545	61540-1	63420	----	
3215 UNIMOUNT® PLOW	AA	S 7.5	62660-1	60018	61720	56365	61540-1	63420	61584
	AB	S 7.5	62660-1	60018	61720	56365	61540-1	63420	----
	AC	S 7.5	62660-1	60018	61720	56365	61540-1	63422	61584
	AD	S 7.5	62660-1	60018	61720	56365	61540-1	63422	----
	AE	SY 7.5	62660-1	62110	62120	56365	61540-1	63420	61584
	AF	SY 7.5	62660-1	62110	62120	56365	61540-1	63420	----
	AG	SY 7.5	62660-1	62110	62120	56365	61540-1	63422	61584
	AH	SY 7.5	62660-1	62110	62120	56365	61540-1	63422	----
	AI	P 7.5	62660-1	60381	63568	56365	61540-1	63420	61584
	AJ	P 7.5	62660-1	60381	63568	56365	61540-1	63420	----
	AK	P 7.5	62660-1	60381	63568	56365	61540-1	63422	61584
	AL	P 7.5	62660-1	60381	63568	56365	61540-1	63422	----
	AM	PY 7.5	62660-1	62400	63568	56365	61540-1	63420	61584
	AN	PY 7.5	62660-1	62400	63568	56365	61540-1	63420	----
	AO	PY 7.5	62660-1	62400	63568	56365	61540-1	63422	61584
	AP	PY 7.5	62660-1	62400	63568	56365	61540-1	63422	----

FORD (continued)

COMPLETE PLOW			COMPONENT NUMBERS						
MODEL	OPTION	BLADE SIZE	MOUNT ASSEMBLY	BLADE ASSEMBLY	ATTACHMENT ASSEMBLY	HYDRAULIC ASSEMBLY	LAMP KIT	HARNESS KIT	DRL KIT
3215 (continued) UNIMOUNT® PLOW	AQ	P 8.0	62660-1	60390	63568	56365	61540-1	63420	61584
	AR	P 8.0	62660-1	60390	63568	56365	61540-1	63420	-----
	AS	P 8.0	62660-1	60390	63568	56365	61540-1	63422	61584
	AT	P 8.0	62660-1	60390	63568	56365	61540-1	63422	-----
	AU	PY 8.0	62660-1	62450	63568	56365	61540-1	63420	61584
	AV	PY 8.0	62660-1	62450	63568	56365	61540-1	63420	-----
	AW	PY 8.0	62660-1	62450	63568	56365	61540-1	63422	61584
	AX	PY 8.0	62660-1	62450	63568	56365	61540-1	63422	-----
	AY	P 8.5	62660-1	60308	63568	56365	61540-1	63420	61584
	AZ	P 8.5	62660-1	60308	63568	56365	61540-1	63420	-----
	BA	P 8.5	62660-1	60308	63568	56365	61540-1	63422	61584
	BB	P 8.5	62660-1	60308	63568	56365	61540-1	63422	-----
	BC	P 9.0	62660-1	60655	63568	56365	61540-1	63420	61584
	BD	P 9.0	62660-1	60655	63568	56365	61540-1	63420	-----
	BE	P 9.0	62660-1	60655	63568	56365	61540-1	63422	61584
	BF	P 9.0	62660-1	60655	63568	56365	61540-1	63422	-----
	BG	MVP 8.5	62660-1	62600	62650	66587	66640-2	63421	61584
	BH	MVP 8.5	62660-1	62600	62650	66587	66640-2	63421	-----
	BI	MVP 8.5	62660-1	62600	62650	66587	66640-2	63423	61584
	BJ	MVP 8.5	62660-1	62600	62650	66587	66640-2	63423	-----
BK	LSX 7.2	62660-1	63472	63470	56545	61540-1	63420	61584	
BL	LSX 7.2	62660-1	63472	63470	56545	61540-1	63420	-----	
BM	LSX 7.2	62660-1	63472	63470	56545	61540-1	63422	61584	
BN	LSX 7.2	62660-1	63472	63470	56545	61540-1	63422	-----	
3225 UNIMOUNT® PLOW	AA	HW 9.0	63350-1	62301	62300	56400	61540-1	63420	61584
	AB	HW 9.0	63350-1	62301	62300	56400	61540-1	63420	-----
	AC	HW 9.0	63350-1	62301	62300	56400	61540-1	63422	61584
	AD	HW 9.0	63350-1	62301	62300	56400	61540-1	63422	-----
	AE	HW 10.0	63350-1	62302	62300	56400	61540-1	63420	61584
	AF	HW 10.0	63350-1	62302	62300	56400	61540-1	63420	-----
	AG	HW 10.0	63350-1	62302	62300	56400	61540-1	63422	61584
	AH	HW 10.0	63350-1	62302	62300	56400	61540-1	63422	-----
	AI	MVP 9.5	63350-1	63665	63660	66587	66640-2	63421	61584
	AJ	MVP 9.5	63350-1	63665	63660	66587	66640-2	63421	-----
	AK	MVP 9.5	63350-1	63665	63660	66587	66640-2	63423	61584
	AL	MVP 9.5	63350-1	63665	63660	66587	66640-2	63423	-----

JEEP

FOUR WHEEL DRIVE Vehicle Options							Plow Options (O) and Ballast Required (B)								
MODEL/ CHASSIS	BODY STYLE	OTHER	ENGINE(S)	MIN FGAWR	HEAD LAMP	DRL ?	PLOW MODEL	SU 6.5		S 6.5		S 7.0		LSX 7.2	
								O	B	O	B	O	B	O	B
Wrangler 4x4		Requires MOPAR air shock kit #82202562 or Front air spring kit #49090	All	2500	2D	Y	3715 U	AA	200	AC	200	AE	200	AG	200
						N		AB	200	AD	200	AF	200	AH	200

TOYOTA

FOUR WHEEL DRIVE Vehicle Options							Plow Options (O) and Ballast Required (B)								
MODEL/ CHASSIS	BODY STYLE	OTHER	ENGINE(S)	MIN FGAWR	HEAD LAMP	DRL ?	PLOW MODEL	SU 6.5		S 6.5		S 7.0		LSX 7.2	
								O	B	O	B	O	B	O	B
Tacoma Pickup 4x4	Reg Cab		All	2650	2B	Y	2365 U	AA	200	AC	700	AE	750	AG	750
						N		AB	200	AD	700	AF	750	AH	750

JEEP									
COMPLETE PLOW			COMPONENT NUMBERS						
MODEL	OPTION	BLADE SIZE	MOUNT ASSEMBLY	BLADE ASSEMBLY	ATTACHMENT ASSEMBLY	HYDRAULIC ASSEMBLY	LAMP KIT	HARNESS KIT	DRL KIT
3715 UNIMOUNT® PLOW	AA	SU 6.5	63250	61300	61930	56355	61540-1	61530	61584
	AB	SU 6.5	63250	61300	61930	56355	61540-1	61530	-----
	AC	S 6.5	63250	60120	61720	56365	61540-1	61530	61584
	AD	S 6.5	63250	60120	61720	56365	61540-1	61530	-----
	AE	S 7.0	63250	60125	61720	56365	61540-1	61530	61584
	AF	S 7.0	63250	60125	61720	56365	61540-1	61530	-----
	AG	LSX 7.2	63250	63472	63470	56545	61540-1	61530	61584
	AH	LSX 7.2	63250	63472	63470	56545	61540-1	61530	-----

TOYOTA									
COMPLETE PLOW			COMPONENT NUMBERS						
MODEL	OPTION	BLADE SIZE	MOUNT ASSEMBLY	BLADE ASSEMBLY	ATTACHMENT ASSEMBLY	HYDRAULIC ASSEMBLY	LAMP KIT	HARNESS KIT	DRL KIT
2365 UNIMOUNT® PLOW	AA	SU 6.5	62370	61300	61930	56355	61550-1	61555	61584
	AB	SU 6.5	62370	61300	61930	56355	61550-1	61555	-----
	AC	S 6.5	62370	60120	61720	56365	61550-1	61555	61584
	AD	S 6.5	62370	60120	61720	56365	61550-1	61555	-----
	AE	S 7.0	62370	60125	61720	56365	61550-1	61555	61584
	AF	S 7.0	62370	60125	61720	56365	61550-1	61555	-----
	AG	LSX 7.2	62370	63472	63470	56545	61550-1	61555	61584
	AH	LSX 7.2	62370	63472	63470	56545	61550-1	61555	-----

UNIVERSAL-HEAVY WEIGHT

TWO & FOUR WHEEL DRIVE Vehicle Options							Plow Options (O) and Ballast Required (B)							
MODEL/ CHASSIS	BODY STYLE	OTHER	ENGINE(S)	MIN FGAWR	HEAD LAMP	DRL ?	PLOW MODEL	MVP® 9.5 **		HW 9.0		HW 10.0		
								O	B	O	B	O	B	
Universal Exception - Not for use on GM 3500HD & Ford F450/F550	All	14,000 - 27,500 GVWR** Min. of 22.5" from bottom of vehicle frame horn to road.	All	5000	2B/2D	Y	2955	AG	?	AA	?	AB	?	
						N		U	AH	?	AC	?	AD	?
						Y		AI	?	AE	?	AF	?	
						N		AI	?	AE	?	AF	?	

For all Universals, weigh completed vehicle to determine reserve axle capacities and ballast.

** - MVP® 9.5 mount application limited to 10,000 - 17,000 GVWR.

NOTE: The Universal Mount Kit is recommended for vehicles with a minimum of 5,000 pounds FGAWR. Vehicles shall be rated between 14,000 and 27,500 GVWR for 9' HW and 10' HW snowplow installations. Snowplow and ballast or second unit bodies must comply with vehicle manufacture's stated maximum gross vehicle weight(GVWR) and axle weight(GAWR) ratings. Vehicles must measure a minimum of 22.5" from road to bottom of front frame horn for proper installation. Ballast Inquiry Sheet, if completed in full, can be faxed to (414)354 -6664 for assistance in snowplow and ballast recommendations. Weights for all snowplow products can be found in the current Selection List. Snowplow headlamp kit must conform to vehicle lamp type.

UNIVERSAL

COMPLETE PLOW			COMPONENT NUMBERS						
MODEL	OPTION	BLADE SIZE	MOUNT ASSEMBLY	BLADE ASSEMBLY	ATTACHMENT ASSEMBLY	HYDRAULIC ASSEMBLY	LAMP KIT	HARNESS KIT	DRL KIT
2955 UNIMOUNT® PLOW	AA	HW 9.0	62275	62301	62300	56400	Determined by headlamp type & circuit. Contact Technical Service for options.		
	AB	HW 10.0	62275	62302	62300	56400			
	AC	HW 9.0	62275	62301	62300	56400			
	AD	HW 10.0	62275	62302	62300	56400			
	AE	HW 9.0	62275	62301	62300	56400			
	AF	HW 10.0	62275	62302	62300	56400			
	AG	MVP 9.5 **	62275	63665	63660	66587			
	AH	MVP 9.5 **	62275	63665	63660	66587			
	AI	MVP 9.5 **	62275	63665	63660	66587			

** - MVP 9.5 mount application limited to 10,000 - 17,000 GVWR.

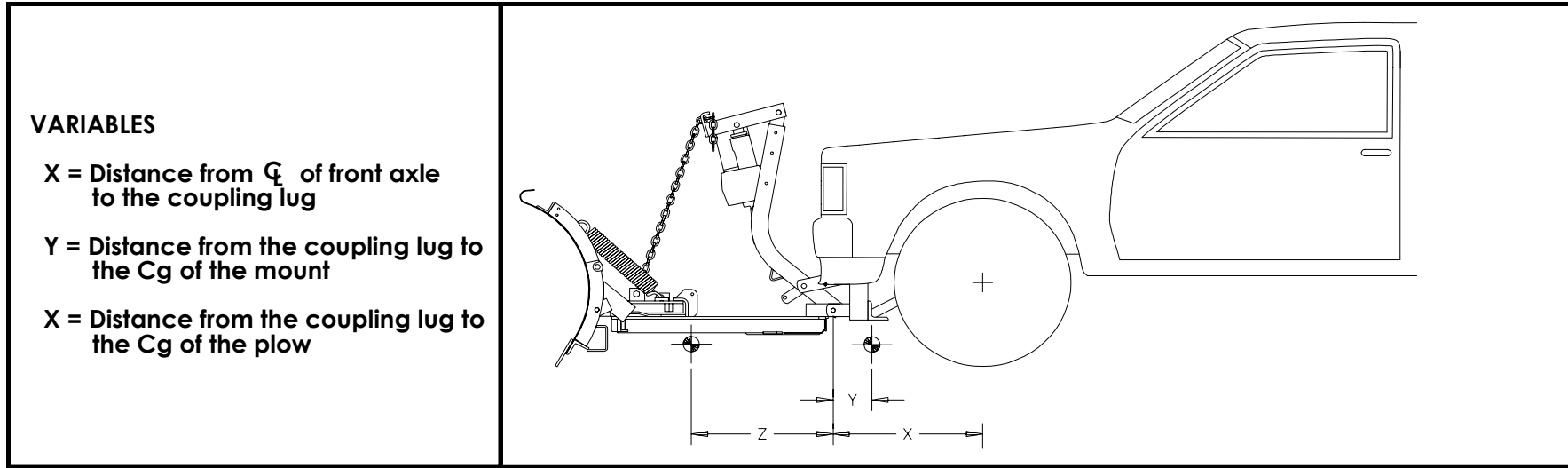
WEIGHT AND DIMENSIONAL CHART

PLOWS		ACCESSORIES EFFECTIVE ADDED WEIGHT (lbs.)				VARIABLES (in.)
SIZE	WEIGHT (lbs.)	POLY DEFLECTOR	RUBBER DEFLECTOR	CUTTING EDGE 1/2"	DOLLY WHEELS	Z (in.)
6-1/2' SU	352	----	----	----	----	20.1
6-1/2' S	490	17.1	26.4	----	24.8	25.6
7' S	500	18.2	28.1	----	24.6	25.8
7'-2" LSX	413	19.1	29.6	25.7	24.3	22.6
7-1/2' S	515	19.1	29.6	25.7	24.3	26.1
7-1/2' SY	545	----	----	24.7	23.4	27.2
7-1/2' P	593	19.2	29.7	25.8	24.5	25.6
8' P	610	20.1	33.8	27.4	24.1	26.1
8-1/2' P	626	21.1	35.5	28.8	23.9	26.3
7-1/2' PY	630	----	----	24.8	23.5	26.8
8' PY	638	----	----	26.9	23.7	26.6
9' P	645	22.1	37.1	30.2	23.7	26.6
MVP® 8.5	730	----	----	----	23.9	28
MVP® 9.5	955	----	----	----	24.3	32
9' HW	1048	----	37.8	----	24.8	33
10' HW	1106	----	45.8	----	24.8	33.6

#	MOUNT WEIGHT	X	Y	VEHICLE USE	YEAR
235	75	26.8	7	Jeep Wrangler 4x4	1986 1/2-1996
3715	68	26.8	7	Jeep Wrangler 4x4	1997 - Later
255	65	23.5	7	Jeep Cherokee Wagon/Wagoneer	1984 - 2000
915	90	28.4	7	Dodge Dakota	1987 - 1996
925	55	29.0	7	Dodge Dakota	1997 - 1999
3915	55	29.0	7	Dodge Dakota, Durango 4x4	2000 - Later
985	150	34.0	7	Dodge Ram, W1500	1994 - 2001
985	150	34.0	7	Dodge Ram, W2500-W3500	1994 - 2002
995	110	29.8	7	Dodge W100-150, 200-250, 300-350	1972 - 1993
995	110	30.5	7	Dodge Ram Charger 4x4	1974 - 1993
995	110	30.5	7	Plymouth Trail Duster 4x4	1974 - 1993
1225	50	32.0	7	Ford F150/F250LD 4x4	1997 - Later
1265	150	29.1	7	Ford Bronco 4x4, F250 2wd	1992 - 1996
1275	145	29.1	7	Ford F150 4x4	1992 - 1996

#	MOUNT WEIGHT	X	Y	VEHICLE USE	YEAR
1295	150	32.0	7	Ford F250/F350 (4x4, 2wd Over 8,500 GVWR) SuperDuty	1992 - 1998
3215	138	32.0	7	Ford F250/F350 (4x4, 2wd Over 8,500 GVWR) SuperDuty	1999 - Later
3225	145	32.0	7	Ford F250/F350 (4x4, 2wd Over 8,500 GVWR) SuperDuty	1999 - Later
1335	60	30.5	7	Ford Ranger, Explorer, Bronco II 4x4, Mazda Navajo 4x4	1984 - 1995
1345	216	27.8	7	Ford Bronco, F150 4x4, F250/350, SuperDuty	1980 - 1991
1515	105	27.5	7	Chevy/GMC Light Truck 4x4	1981 - 1987
1515	105	27.5	7	Blazer, Jimmy, Suburban	1981 - 1991
1525	80	31.0	7	Chevy/GMC 2wd, C & R 20/2500 - 30/3500	1981 - 1991
1565	110	28.0	7	Chevy/GMC 3500 HD	1991 - Later
1575	80	29.3	7	Chevy/GMC 2wd C2500/3500	1988 - 1998
1585	100	28.8	7	Chevy/GMC Light Truck (Classic Style)	1988 - 2000
3515	50	28.8	7	Chevy/GMC Light Truck (1500 4x4) (Silverado/Sierra)	1999 - Later
3525	50	28.8	7	Chevy/GMC Light Truck (2500 4x4) (Silverado/Sierra)	1999 - Later
2355	55	26.9	7	Toyota 4x4 Pick-Up, 4Runner	1984 - 1995
2365	50	27.0	7	Toyota Tacoma	1995 1/2 - Later

DIMENSIONAL DIAGRAM



Example: Weight that one would use if they had a 7-1/2' S with the poly deflector and the dolly wheels.

The weight of the plow alone with no accessories would be 515 lbs. with its center of gravity 26.1 in. from the coupling point.

To add the weight of the accessories, look in the row with the blade 7-1/2' S to find the effective poly deflector weight of 19.1 lbs. and the effective dolly wheel weight of 24.3 lbs.

The total weight of the blade and accessories will be:

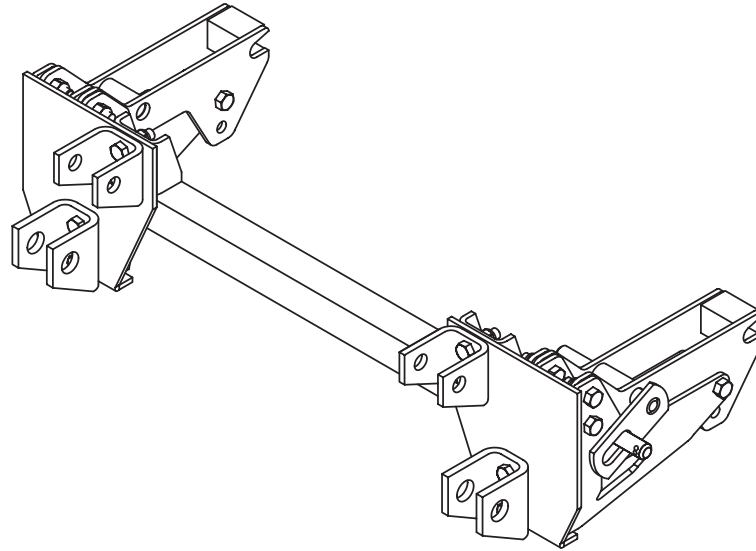
515.0
19.1
24.3
558.4

with its center of gravity still at 26.1 in. from the coupling point

ALWAYS comply with the vehicle manufacturer's stated gross vehicle and axle weight ratings (found on the driver side door jam of the vehicle) and front and rear weight distribution ratio with the snowplow installed. In some cases, rear ballast may be required to achieve these requirements.

Available vehicle capacities for after-market equipment and components can be determined by using the above information along with information provided by the vehicle manufacturers Body Builder Guides. Follow all requirements and recommendations as stated by vehicle manufacturer.

UltraMount® to UniMount® Conversion Kit



This easy to use UltraMount® to UniMount® conversion kit enables you to attach a UniMount® plow to a vehicle equipped with an UltraMount® mount.

Simply remove the receivers from your UltraMount System mount, and pin the conversion plate in place. This accessory is perfect for customers with multiple snowplows, providing their fleet with versatility while changing to the UltraMount System.

This new kit is also ideal for transferring an old UniMount plow to a new truck. As new trucks are released, we will develop only new UltraMounts for these plow applications. This will allow the customer to transfer an existing UniMount plow to the late model vehicle. In addition, when customers are ready to replace their old UniMount plow, the truck will already have the mount and wiring for an UltraMount plow.

To qualify the vehicle and determine ballast, you must fill out the **VEHICLE AND PLOW APPLICATION INQUIRY SHEET**

⚠ WARNING

**CONVERSION KIT USE IS LIMITED TO
VEHICLES UNDER 10,000 LBS. GVWR**

⚠ WARNING

**Do not exceed GVWR or GAWR, including
blade and ballast. The rating label is found
on the driver-side, vehicle door cornerpost.**

**Note: When ballast is required it should be
secured behind the rear wheels in a manne
which prevents it from sliding during norm
driving. Western Products offers an
optional ballast retainer kit (62849) for this
purpose.**

VEHICLE AND PLOW APPLICATION INQUIRY SHEET ON FOLLOWING PAGE

The following sheet is to be used for:

4WD (Four Wheel Drive) Chassis Cabs with a GVWR of 8,500 lb. or higher

2WD (Two Wheel Drive) Chassis Cabs with a GVWR of 10,000 lb. or higher

Exceptions are those vehicles that are listed as Chassis Cab in Selection List that are other than above.

This form is to be filled out when assistance is necessary to determine the appropriate ballast/plow combinations for the vehicle in question.

This form must be completed in its entirety.

Any forms containing incomplete information will not be considered.

VEHICLE MUST BE WEIGHED COMPLETE AND EMPTY (NO OCCUPANTS, PLOW and/or PLOW MOUNT)

VEHICLE AND PLOW APPLICATION INQUIRY SHEET



Western Products
 7777 North 73rd Street
 Milwaukee, WI 53223

Telephone (414) 354-2310
 Fax (414) 354-6664

DISTRIBUTOR	TEL
	FAX
CUSTOMER	
VIN	DATE BUILT
SELECT MOUNT TYPE	<input type="checkbox"/> UniMount [®] <input type="checkbox"/> UltraMount [®] <input type="checkbox"/> Conversion Kit

VEHICLE INFORMATION

YEAR	
MAKE	
MODEL	
DRIVE TRAIN	<input type="checkbox"/> 2WD <input type="checkbox"/> 4WD <input type="checkbox"/> ALL WHEEL <input type="checkbox"/> OTHER
DRW (Dual Rear Wheels)	<input type="checkbox"/> YES <input type="checkbox"/> NO
BODY STYLE	<input type="checkbox"/> REG CAB <input type="checkbox"/> X-CAB <input type="checkbox"/> OTHER
BOX OPTION (S)	<input type="checkbox"/> DUMP BOX <input type="checkbox"/> STAKE BED <input type="checkbox"/> OTHER
ENGINE TYPE	
GFAWR	
GRAWR	
GVWR	

HORIZONTAL DISTANCE DESCRIPTION

L31	DRIVERS hip point; in MIDDLE position, to Centerline of FRONT axle	(in.)
L101	Between axles (Wheelbase)	(in.)
L104	Middle of FRONT bumper to centerline of FRONT axle	(in.)
	Middle of ballast location to centerline of REAR axle	(in.)

VEHICLE WEIGHT (TRUCK MUST BE WEIGHED COMPLETE AND EMPTY (-) PLOW & MOUNT)

FRONT (lb)	REAR (lb)

FUEL TANKS (ONLY NEEDED IF WEIGHED VEHICLE NOT FULLY FUELED)

FRONT OF AXLE	LEVEL (see below)	CAPACITY (gal.)	LOCATION FROM AXLE TO CENTER OF TANK(in.)
REAR OF AXLE			

FUEL LEVEL (EMPTY = 0, HALF = 1/2, FULL = 1)

THIS FORM MUST BE COMPLETED IN ITS ENTIRETY. ANY FORMS CONTAINING INCOMPLETE INFORMATION WILL NOT BE CONSIDERED. PLEASE RETURN VIA FAX (414) 354-6664.

This form is for use with: 4WD (Four Wheel Drive) Chassis Cabs w/ minimum of 8,500 lb.GVWR or 2WD (Two Wheel Drive) Chassis Cabs w/ minimum of 10,000 lb.GVWR.

WESTERN PRODUCTS and the vehicle manufacturer may require or recommend optional equipment for snow removal. See the WESTERN PRODUCTS Selection List for additional product information.

