



2002-EARLIER



----- **REVISION 0** -----

This book contains the following models:

1973-2002 Chevy/GMC

1994-2002 Dodge

1980-2002 Ford

Form #64135-120102

WESTERN PRODUCTS • P.O. BOX 245038 • MILWAUKEE, WISCONSIN 53224-9538



A Division of Douglas Dynamics, L.L.C.

Printed in the U.S.A.

The following are registered and/or unregistered trademarks of Douglas Dynamics, L.L.C.: WESTERN®, UniMount®, UltraMount®, FloStat®.

Western Products reserves the right under its product improvement policy to change construction or design details and furnish equipment when so altered without reference to illustrations or specifications used herein. Western Products and the vehicle manufacturer may require and/or recommend optional equipment for snow removal.

CONTENTS



ABOUT THE SELECTION LIST	iii
VEHICLE LAMP IDENTIFICATION GUIDE	iv
DEFINITIONS	v
HOW TO USE THE SELECTION LIST	vi
INSTRUCTIONS FOR VEHICLES WITH DIFFERENT FGAWR's	vii
1 CHEVY / GMC	1
2 DODGE	15
3 FORD (SPRING CHART).....	25
FORD	26
WEIGHT AND DIMENSIONAL CHART	51
DIMENSIONAL DIAGRAM	52
UltraMount [®] to UniMount [®] Conversion Kit	54
VEHICLE AND PLOW APPLICATION INQUIRY SHEET	55

2002 - EARLIER SELECTION LIST

Western Products' published vehicle recommendations are based on the following:

- Compliance with the vehicle manufacturer's stated gross vehicle and axle weight ratings (found on the driver side door jam of the vehicle) and front and rear weight distribution ratio with the snowplow installed and raised in travel position. In some cases, rear ballast may be required to achieve these requirements.
- Available capacity for the snowplow equipment is based on a representative vehicle as configured by the original vehicle manufacturer. The representative vehicle includes spare wheel and tire, automatic transmission, rear bumper, air conditioning, and full fluids. Available capacity decreases as the vehicle is loaded with cargo or by the installation of other truck equipment or accessories. If there is uncertainty as to whether available capacity exists, the actual vehicle as configured must be weighed. For more information, see the weight and dimensional chart located at the end of the Selection List.
- Installation, modifications and addition of accessories must comply with published Western Products recommendations and instructions.
- Compliance with applicable FMVSS (Federal Motor Vehicle Safety Standards) must be met.
- In some cases, there may be additional limitations and requirements such as special vehicle options and specifications, or air bags/lift kits.

You will see more specific requirements listed as you use the Selection List to identify plow vehicles including: body style, engine size, ballast requirements, and minimum front gross axle weight ratings (FGAWR).

Discuss the following topics with each of your plowing customers and prospective plow purchasers.

BALLAST

Ballast is an important part of qualifying vehicles for plow eligibility. Rear ballast must be used when recommended to remain in compliance with axle ratings and ratios as specified by the vehicle manufacturer. If ballast is required, it is important that it be secured properly behind the rear axle. A ballast retainer kit is available from Western Products, part #62849.

PLOWING RECOMMENDATIONS

It is also important to remember that in all plowing applications, Western Products recommends only the driver in the vehicle.

Although plowing conditions can vary widely, as a general guideline Western Products recommends the maximum plowing speed of 10 mph and the maximum recommended transport speed of 45 mph.

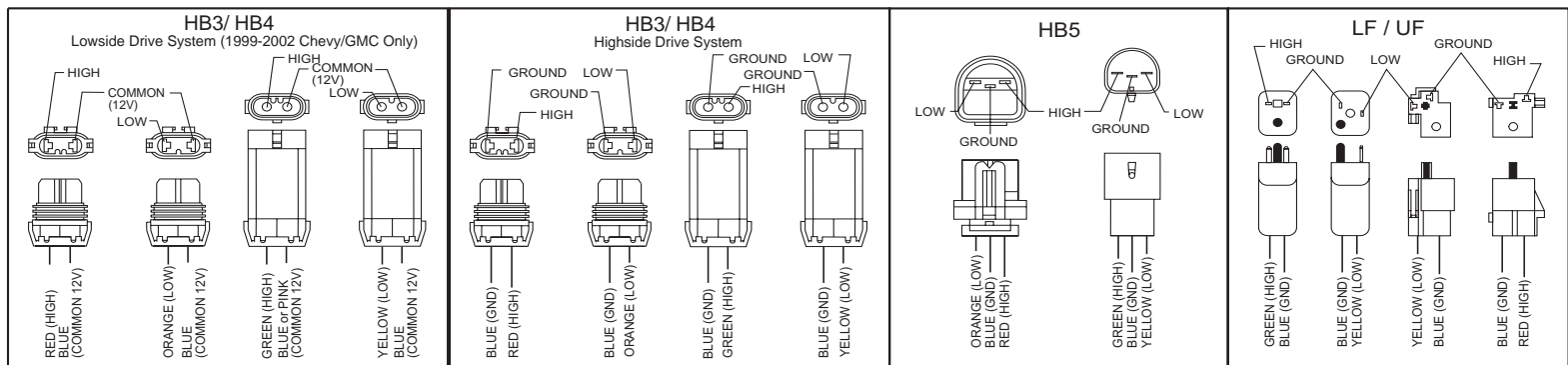
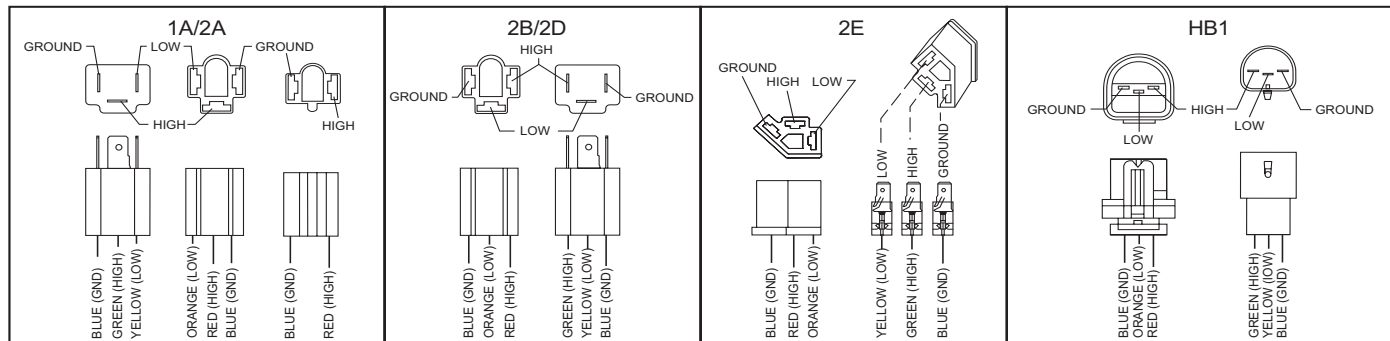
VEHICLE LAMP IDENTIFICATION GUIDE

NOTE: The lamp type is usually embossed in the headlamp lens.

NOTE: Blue ground wires may be LT or DK BLUE, w/ or w/o WHT stripe, depending on harness.

Headlamp Type	Bulb Type
LF	H4703
UF	H4701
1A1	H4651
2A1	H4652(Chevy/GMC)
2B1	H6054
2D1	H6024
2E1	H6545
HB1	9004
HB3	9005
HB4	9006
HB5	9007

LAMP TYPE	LAMP SIZE	CONFIGURATION	DESCRIPTION
1A / 2A	4" x 6.5"		Quad Rectangular Lamp
2B	5.5" x 7.88"		Dual Rectangular Lamp
2D	7" DIA.		Dual Round Lamp
2E	4" x 6.5"		Dual Rectangular (Small Halogen Lamp)
HB1	Can Vary		Dual Rectangular Halogen Lamp
HB3 / HB4	Can Vary		Quad Composite Halogen Lamp
HB5	Can Vary		Dual Rectangular Halogen Lamp
LF / UF	3.64" x 5.93"		Quad Rectangular Halogen Lamp



BLADE ABBREVIATIONS		
PLOW TYPE	BLADE TYPES AVAILABLE	BLADE SIZES AVAILABLE
UT - UltraMount® plow	S - Standard	6.5 - 6-1/2'
	SY - Standard Poly	7.0 - 7'
	P - Pro-Plow™	7.5 - 7-1/2'
	PY - Poly Pro-Plow™	8.0 - 8'
	MVP® - MultiPosition V-plow	8.5 - 8-1/2'
		9.0 - 9'
	9.5 - 9-1/2'	

ASSEMBLIES	DEFINITION
BLADE ASSEMBLY	UniMount® / UltraMount® blade
	UltraMount® MVP® blade
ATTACHMENT ASSEMBLY	UltraMount® A-frame, quadrant & lift frame
	UltraMount® MVP® T-frame

ABBREVIATION	DESCRIPTION
2WD	Two wheel drive
4x4	Four wheel drive
A,Q&L	A-frame, quadrant & lift frame
B	Ballast required
DRL	Daytime running lights
DRW	Dual rear wheels
FGAWR	Front gross axle weight rating
GVWR	Gross vehicle weight rating
HYD	Hydraulic
L	Lift frame
MIN	Minimum
MVP®	MultiPosition V-plow
N	No
O	Plow option
P	Pro-Plow™
PKG	Package
PY	Poly Pro-Plow™
REQ	Required
S	Standard
SUSP	Suspension
SY	Standard Poly
U	UniMount® Plow
UT	UltraMount® Plow
UTP	UltraMount® Pro-Plow™
UTPY	UltraMount® Poly Pro-Plow™
UTS	UltraMount® Standard
UTSY	UltraMount® Standard Poly
W	With
W/O	Without
X-CAB	Extended cab vehicle
Y	Yes

HOW TO USE THE SNOWPLOW SELECTION LIST

Determining plow options:

- 1.) Locate vehicle by make, 4 wheel (4x4) or 2 wheel (2WD) drive, model, year and body style (columns 1 thru 3)
- 2.) Column 4 labeled "OTHER" will list other requirements or modifications if needed for plow compatibility.
- 3.) Verify that vehicle meets any engine and FGAWR (front gross axle weight rating) (columns 5 and 6).
FGAWR can be found on the driver side door jam.
- 4.) Identify vehicle headlamp type and whether or not it is DRL (Daytime Running Lights) equipped (columns 7 and 8)
By answering the DRL question, you have now narrowed your choices down to one row.
- 5.) Reading across, you will first see the plow model number and type letter code (column 9) UT - UltraMount® PLOW followed by the recommended plow options and ballast requirements available for that vehicle (columns 10 through 29).
- 6.) Once you have determined which plow option you want, use the letters in the appropriate box along with the plow model number (in this example 3529) and turn to the component list found at the end of each manufacturer's section to find the individual component numbers that make up that plow. You may order two ways:
 - A) By complete plow using the complete plow code. (example: ordering a 3529AA will fill the order for a 67981-2, 60018, 63560, 56588, 61540-1, 63392, and NO additional DRL kit)
 - B) By *individual component* using the corresponding part numbers. (example: ordering just the 62110, you are ordering the 7.5' Standard Poly blade.)
 - C) Remember to choose which control to order.
- 7) Vehicle information that is highlighted in **BLACK** indicates a change since the last revision of selection list.
- 8) Vehicles with a ? In the ballast columns indicate that there is a mount available for that vehicle but one must weigh completed vehicle to determine plow size and ballast. See "Weight and Dimensional Chart" at end of selection list along with Body Builders Guides for necessary vehicle information.

Col. 1	Col. 2	Col. 3	Col. 4	Col. 5	Col. 6	Col. 7	Col. 8	Col. 9	Col. 10-29																			
CHEVY/GMC																												
FOUR WHEEL DRIVE Vehicle Options										Plow Options (O) and Ballast Required (B)																		
MODEL/ CHASSIS	YEAR	BODY STYLE	OTHER	ENGINE(S)	MIN FGAWR	HEAD LAMP	DRL ?	PLOW MODEL	S 7.5		SY 7.5		P 7.5		PY 7.5		P 8.0		PY 8.0		P 8.5		P 9.0		MVP 8.5		MVP 9.5	
SILVERADO/SIERRA K2500HD Pick-up 4x4	2002	Reg Cab	8.0' Box Z85 or Snowplow prep. package recommended	6.0L V8	4800	HB3/HB4	Y	3529 UT	O	B	O	B	O	B	O	B	O	B	O	B	O	B	O	B	O	B	O	B
				8.1L V8	4800	HB3/HB4	Y		AA	350	AB	400	AC	450	AD	450	AE	450	AF	450	AG	450	AH	500	AI	650	AJ	700
				6.6L Diesel	4800	HB3/HB4	Y		AA	450	AB	500	AC	500	AD	550	AE	550	AF	550	AG	550	AH	550				
					4500	HB3/HB4	Y		AA	600	AB	800	AC	950														
					4800	HB3/HB4	Y		AA	500	AB	550	AC	600	AD	650	AE	600	AF	650	AG	600	AH	650				
					4500	HB3/HB4	Y		AA	1000																		

CHEVY/GMC										Remember:
COMPLETE PLOW			COMPONENT NUMBERS							
MODEL	OPTION	BLADE SIZE	MOUNT ASSEMBLY	BLADE ASSEMBLY	ATTACHMENT ASSEMBLY	HYDRAULIC ASSEMBLY	LAMP KIT	HARNESS KIT	DRL KIT	
3529 UltraMount® Plow	AA	UTS 7.5	67981-2	60018	63560	56588	61540-1	63392	---	Choose either: #56369 Joystick Or #56462 CabCommand
	AB	UTSY 7.5	67981-2	62110	63560	56588	61540-1	63392	---	
	AC	UTP 7.5	67981-2	60381	66880	56588	61540-1	63392	---	
	AD	UTPY 7.5	67981-2	62400	66880	56588	61540-1	63392	---	
	AE	UTP 8.0	67981-2	60390	66880	56588	61540-1	63392	---	
	AF	UTPY 8.0	67981-2	62450	66880	56588	61540-1	63392	---	
	AG	UTP 8.5	67981-2	60308	66880	56588	61540-1	63392	---	
	AH	UTP 9.0	67981-2	60655	66880	56588	61540-1	63392	---	
	AI	MVP 8.5	67981-2	63819	56810	56777	66640-2	63394	---	
	AJ	MVP 9.5	67981-2	63808	56810	56777	66640-2	63394	---	

Instructions for Vehicles with Different Front Gross Axle Weight Ratings (FGAWR)

1. Calculate the change in ballast required for alternate FGAWR's using the following formula:

$$\text{Additional Ballast} = (R1 - R2) \times L101 \div (L105 - 14)$$

Key:

R1 = FGAWR as found in the Selection List.

R2 = FGAWR as indicated on rating label found on the driver-side vehicle door cornerpost.

L101 = vehicle's wheelbase

L105 = distance from the rear axle to the tailgate's rear surface

2. When R2 is higher than R1, the ballast calculated above can be removed from the amount specified in the Selection List. When R1 is higher than R2, the ballast calculated above must be added to the amount specified in the Selection List.



Do not exceed GVWR or GAWR, including blade and ballast. The rating label is found on the driver-side vehicle door cornerpost

NOTE: When ballast is required, it should be secured behind the rear wheels in a manner which prevents it from sliding during normal driving. Western Products offers an optional ballast retainer kit (62849) for this purpose.

NOTE: New UNTITLED vehicle installation of a snow plow requires National Highway Traffic Safety Administration altered vehicle certification labeling. Installer to verify that selected snow plow and ballast, if required, do not exceed GVWR or GAWR rating label.

CHEVY/GMC

FOUR WHEEL DRIVE Vehicle Options										Plow Options (O) and Ballast Required (B)																							
MODEL/ CHASSIS	YEAR	BODY STYLE	OTHER	ENGINE(S)	MIN FGAWR	HEAD LAMP	DRL ?	PLOW MODEL	S 7.5		SY 7.5		P 7.5		PY 7.5		P 8.0		PY 8.0		P 8.5		P 9.0		MVP 8.5		MVP 9.5						
									O	B	O	B	O	B	O	B	O	B	O	B	O	B	O	B	O	B	O	B	O	B	O	B	
AVALANCHE 2500 4x4 (Bumper notching may be required)	2002		Z85 or Snowplow prep. package recommended	8.1L V8	4500	HB3/HB4	Y	3529 UT	AA	600	AB	750																					

SUBURBAN/YUKON XL K1500 4x4 (Bumper notching may be required)	1998-1999			5.7L V8	3925	HB3/HB4	Y	1589 UT	AA	0	AG	0	AM	100				AY	200														
							---		AB	0	AH	0	AN	100				AZ	200														
	1997		Min. 7,300 lb. GVWR	5.7L V8	3925	HB3/HB4	Y	1589 UT	AA	0	AG	0	AM	0	AS	150	AY	50	BQ	200													
							---		AB	0	AH	0	AN	0	AT	150	AZ	50	CF	200													
	1992-1995			5.7L V8	3600	HB3/HB4	Y	1589 UT	AC	300																							
							---		AD	300																							
							---		AE	300																							
							---		AF	300																							
	1973-1991			5.0L V8	3600	HB3/HB4	Y	1519 UT	AA	300																							
							---		AB	300																							
---							AC		300																								
---							AD		300																								
SUBURBAN/YUKON XL K2500 4x4 (Bumper notching may be required)	2001-2002			6.0L V8	4180	HB3/HB4	Y	3529 UT	AA	100	AB	250																					
							---		AA	0	AB	200																					
	2000			5.3L V8	4180	HB3/HB4	Y	3529 UT	AA	0	AB	200																					
							---		AA	0	AB	200																					
	1998-1999			5.7L V8	4250	HB3/HB4	Y	1589 UT	AA	0	AG	0	AM	0	AS	0	AY	0	BQ	0	BE	0	BK	0									
							---		AB	0	AH	0	AN	0	AT	0	AZ	0	CF	0	BF	0	BL	0									
							---		AA	200																							
							---		AB	200																							
	1997			5.7L V8	4250	HB3/HB4	Y	1589 UT	AA	0	AG	0	AM	0	AS	0	AY	0	BQ	0	BE	0	BK	0									
							---		AB	0	AH	0	AN	0	AT	0	AZ	0	CF	0	BF	0	BL	0									
							---		AA	0	AG	0	AM	200				AY	300														
	1996			5.7L V8	4250	HB3/HB4	Y	1589 UT	AA	0	AG	0	AM	0	AS	0	AY	0	BQ	0	BE	0	BK	0									
							---		AB	0	AH	0	AN	0	AT	0	AZ	0	CF	0	BF	0	BL	0									
	1992-1995			5.7L V8	4250	HB3/HB4	Y	1589 UT	AA	0	AG	50	AM	250																			
							---		AB	0	AH	50	AN	250																			
							---		AC	0	AI	0	AO	0	AU	0	BA	0	CI	0	BG	0	BM	0									
							---		AD	0	AJ	0	AP	0	AV	0	BB	0	CJ	0	BH	0	BN	0									
		7.4L V8			4250	HB3/HB4	Y	1589 UT	AA	0	AL	0	AR	0	AX	0	BD	0	CL	0	BJ	0	BP	0									
---							AC		0	AI	0	AO	0	AU	150	BA	50	CI	200	BG	100	BM	200										
---							AD		0	AJ	0	AP	0	AV	150	BB	50	CJ	200	BH	100	BN	200										
---							AE		0	AK	0	AQ	0	AW	150	BC	50	CK	200	BI	100	BO	200										
---							AF		0	AL	0	AR	0	AX	150	BD	50	CL	200	BJ	100	BP	200										
---							AC		0	AI	150	AO	300																				
6.5L Diesel			4250	HB3/HB4	Y	1589 UT	AD	0	AJ	150	AP	300																					
					---		AE	0	AK	150	AQ	300																					
1973-1991			5.7L V8	3700	HB3/HB4	Y	1519 UT	AA	200																								
						---		AB	200																								
						---		AC	200																								
						---		AD	200																								
TAHOE/YUKON 4x4 (Bumper notching may be required)	1998-1999	2 DOOR ONLY	F60 Suspension required	5.7L V8	3925	HB3/HB4	Y	1589 UT	AA	150	AG	200	AM	200	AS	250	AY	250															
							---		AB	150	AH	200	AN	200	AT	250	AZ	250															
	1996-1997	2 DOOR ONLY	F60 Suspension required	5.7L V8	3925	HB3/HB4	Y	1589 UT	AA	50	AG	100	AM	150	AS	200	AY	150	BQ	200													
							---		AB	50	AH	100	AN	150	AT	200	AZ	150	CF	200													
	1992-1995	2 DOOR ONLY	F60 Suspension required	5.7L V8	3925	HB3/HB4	Y	1589 UT	AC	0	AI	50	AO	100	AU	150	BA	100	CI	150													
							---		AD	0	AJ	50	AP	100	AV	150	BB	100	CJ	150													
SIERRA DENALI Pick-up 4x4 (Bumper notching may be required)	2002	X-Cab	6.5' Box Z85 or Snowplow prep. package recommended	6.0L V8	3925	HB3/HB4	Y	3519 UT	AA	450	AB	500	AC	550	AD	800	AE	650	AF	850													
							---		AA	450	AB	500	AC	550	AD	800	AE	650	AF	850													
SIERRA C3 Pick-up 4x4 (Bumper notching may be required)	2001	X-Cab	6.5' Box Z85 or Snowplow prep. package recommended	6.0L V8	3925	HB3/HB4	Y	3519 UT	AA	450	AB	500	AC	550	AD	800	AE	650	AF	850													
							---		AA	450	AB	500	AC	550	AD	800	AE	650	AF	850													
SILVERADO/SIERRA K1500 Pick-up 4x4 (Bumper notching may be required)	2002	Reg Cab	6.5' Box Z85 or Snowplow prep. package recommended	4.3L V6	3925	HB3/HB4	Y	3519 UT	AA	400	AB	450	AC	450	AD	500	AE	500	AF	500													
							---		AA	450	AB	450	AC	500	AD	550	AE	500	AF	550													
							---		AA	450	AB	450	AC	500	AD	550	AE	500	AF	550													
							---		AA	350	AB	400	AC	400	AD	450	AE	400	AF	450													
							---		AA	400	AB	400	AC	450	AD	500	AE	450	AF	500													
							---		AA	400	AB	400	AC	450	AD	500	AE	450	AF	500													

Reminder: The Joystick control is not included in the UltraMount® FloStat® hydraulics box.
Please choose between the Joystick Control #56369 or the CabCommand #56462

CHEVY/GMC

FOUR WHEEL DRIVE Vehicle Options				Plow Options (O) and Ballast Required (B)																											
MODEL/ CHASSIS	YEAR	BODY STYLE	OTHER	ENGINE(S)	MIN FGAWR	HEAD LAMP	DRL ?	PLOW MODEL	S 7.5		SY 7.5		P 7.5		PY 7.5		P 8.0		PY 8.0		P 8.5		P 9.0		MVP 8.5		MVP 9.5				
									O	B	O	B	O	B	O	B	O	B	O	B	O	B	O	B	O	B	O	B	O	B	O
SILVERADO/SIERRA K1500HD Pick-up 4x4	2002	Crew Cab	6.5' Box Z85 or Snowplow prep. package recommended	6.0L V8	4500	HB3/HB4	Y	3529 UT	AA	400	AB	400	AC	450	AD	500	AE	450	AF	550	AG	450	AH	600							
					4410	HB3/HB4	Y		AA	400	AB	450	AC	650	AD	950	AE	800	AF	100	AG	900	AH	1000							
	2001	Crew Cab	6.5' Box Z85 or Snowplow prep. package recommended	6.0L V8	4500	HB3/HB4	Y	3529 UT	AA	400	AB	450	AC	450	AD	700	AE	550	AF	750	AG	650	AH	750							
					4410	HB3/HB4	Y		AA	400	AB	600	AC	850			AE	950													
SILVERADO/SIERRA K2500 Pick-up 4x4	2002	X-Cab	6.5' Box Z85 or Snowplow prep. package recommended	6.0L V8	4500	HB3/HB4	Y	3529 UT	AA	450	AB	500	AC	550	AD	550	AE	550	AF	600	AG	550	AH	600							
					4410	HB3/HB4	Y		AA	450	AB	500	AC	550	AD	750	AE	600	AF	800	AG	700	AH	850							
	2001	X-Cab	6.5' Box Z85 or Snowplow prep. package recommended	6.0L V8	4500	HB3/HB4	Y	3529 UT	AA	500	AB	500	AC	550	AD	600	AE	550	AF	600	AG	550	AH	600							
					4410	HB3/HB4	Y		AA	500	AB	500	AC	550	AD	600	AE	550	AF	600	AG	550	AH	600							
	2000	Reg Cab	8' Box, Z85 or Snowplow prep. package recommended	6.0L V8	4500	HB3/HB4	Y	3529 UT	AA	450	AB	500	AC	500	AD	550	AE	550	AF	550	AG	550	AH	550	AI	800					
					4250	HB3/HB4	Y		AA	450	AB	500	AC	500	AD	750	AE	600	AF	800	AG	700	AH	800							
		X-Cab	6.5' Box, Z85 or Snowplow prep. package recommended	6.0L V8	4500	HB3/HB4	Y		AA	450	AB	500	AC	500	AD	550	AE	550	AF	550	AG	550	AH	600							
					4250	HB3/HB4	Y		AA	650	AB	900																			
	1999	Reg Cab	8' Box, Z85 or Snowplow prep. package recommended	6.0L V8	4500	HB3/HB4	Y	3529 UT	AA	400	AB	450	AC	500	AD	550	AE	500	AF	550	AG	500	AH	550	AI	850					
					4250	HB3/HB4	Y		AA	400	AB	450	AC	500	AD	550	AE	500	AF	550	AG	500	AH	550							
X-Cab	6.5' Box, Z85 or Snowplow prep. package recommended	6.0L V8	4500	HB3/HB4	Y	AA	600		AB	650	AC	650	AD	900	AE	700	AF	950	AG	850	AH	1000									
			4250	HB3/HB4	Y	AA	400		AB	450	AC	500	AD	500	AE	500	AF	550	AG	500	AH	550									
"CLASSIC" STYLE K2500 Pick-up 4x4	2000	Reg Cab	8.0' Box F60 or Snowplow prep. package recommended	5.7L V8	4500	2B	Y	1589 UT	AA	250	AG	250	AM	300	AS	350	AY	300	BQ	350	BE	350	BK	350	CO	500	CW	550			
					4250	HB3/HB4	Y		AB	250	AH	250	AN	300	AT	350	AZ	300	CF	350	BF	350	BL	350	CQ	500	CW	550			
					4500	2B	Y		AA	200	AG	250	AM	300	AS	350	AY	300	BQ	350	BE	300	BK	350	CO	700	CW	1000			
				7.4L V8	4500	HB3/HB4	Y		AB	200	AH	250	AN	300	AT	350	AZ	300	CF	350	BF	300	BL	350	CQ	700	CW	1000			
					4500	2B	Y		AA	200	AG	250	AM	300	AS	350	AY	300	BQ	350	BE	300	BK	350	CO	800					
					4500	HB3/HB4	Y		AB	200	AH	250	AN	300	AT	350	AZ	300	CF	350	BF	300	BL	350	CQ	800					
		X-Cab	6.5' Box F60 or Snowplow prep. package recommended	5.7L V8	4500	2B	Y		AA	350	AG	350	AM	400	AS	450	AY	400	BQ	450	BE	450	BK	450	CO	800					
					4250	HB3/HB4	Y		AB	350	AH	350	AN	400	AT	450	AZ	400	CF	450	BF	450	BL	450	CQ	800					
					4500	2B	Y		AA	300	AG	350	AM	400	AS	450	AY	400	BQ	450	BE	400	BK	450	CO	800					
			7.4L V8	4500	HB3/HB4	Y	AB		300	AH	350	AN	400	AT	450	AZ	400	CF	450	BF	400	BL	450								
				4500	2B	Y	AA		300	AG	350	AM	400	AS	500	AY	400	BQ	550	BE	400	BK	550								
				4500	HB3/HB4	Y	AB		300	AH	350	AN	400	AT	500	AZ	400	CF	550	BF	400	BL	550								
	8.0' Box F60 or Snowplow prep. package recommended	5.7L V8	4500	2B	Y	AA	300	AG	350	AM	350	AS	400	AY	400	BQ	400	BE	400	BK	400										
			4250	HB3/HB4	Y	AB	300	AH	350	AN	350	AT	400	AZ	400	CF	400	BF	400	BL	400										
			4500	2B	Y	AA	300	AG	300	AM	500	AS	750	AY	600	BQ	800	BE	700	BK	850										
		7.4L V8	4500	HB3/HB4	Y	AB	300	AH	300	AN	500	AT	750	AZ	600	CF	800	BF	700	BK	850										
			4500	2B	Y	AA	300	AG	400	AM	650	AS	900	AY	750	BQ	950	BE	850	BK	1000										
			4500	HB3/HB4	Y	AB	300	AH	400	AN	650	AT	900	AZ	750	CF	950	BF	850	BL	1000										
	1998-1999	Reg Cab	8.0' Box F60 or Snowplow prep. package recommended	5.7L V8	4500	2B	Y	1589 UT	AA	400	AG	450	AM	500	AS	550	AY	500	BQ	550	BE	500	BK	550	CO	700	CW	1000			
					4250	HB3/HB4	Y		AB	400	AH	450	AN	500	AT	550	AZ	500	CF	550	BF	500	BL	550	CQ	700	CW	1000			
					4500	2B	Y		AA	400	AG	450	AM	500	AS	650	AY	500	BQ	650	BE	600	BK	700							
				7.4L V8	4500	HB3/HB4	Y		AB	400	AH	450	AN	500	AT	650	AZ	500	CF	650	BF	600	BL	700							
					4500	2B	Y		AA	500	AG	500	AM	550	AS	700	AY	550	BQ	700	BE	650	BK	750							
					4500	HB3/HB4	Y		AB	500	AH	500	AN	550	AT	700	AZ	550	CF	700	BF	650	BL	750							
		X-Cab	6.5' Box F60 or Snowplow prep. package recommended	5.7L V8	4500	2B	Y		AA	400	AG	450	AM	500	AS	550	AY	500	BQ	550	BE	500	BK	550	CO	750					
					4250	HB3/HB4	Y		AB	350	AH	400	AN	400	AT	450	AZ	450	CF	450	BF	450	BL	450	CQ	750					
					4500	2B	Y		AA	350	AG	400	AM	400	AS	750	AY	550	BQ	800	BE	650	BK	800							
			7.4L V8	4500	HB3/HB4	Y	AB		350	AH	400	AN	400	AT	750	AZ	550	CF	800	BF	650	BL	800								
4500				2B	Y	AA	400		AG	450	AM	500	AS	750	AY	600	BQ	800	BE	700	BK	850									
4500				HB3/HB4	Y	AB	400		AH	450	AN	500	AT	750	AZ	600	CF	800	BF	700	BL	850									
8' Box F60 or Snowplow prep. package recommended	5.7L V8	4500	2B	Y	AA	500	AG	700	AM	950																					
		4250	HB3/HB4	Y	AB	500	AH	700	AN	950																					
		4500	2B	Y	AA	300	AG	350	AM	350	AS	400	AY	400	BQ	400	BE	400	BK	400											
	7.4L V8	4500	HB3/HB4	Y	AB	300	AH	350	AN	350	AT	400	AZ	400	CF	400	BF	400	BL	400											
		4500	2B	Y	AA	450	AG	700	AM	900																					
		4500	HB3/HB4	Y	AB	450	AH	700	AN	900																					
6.5L Diesel	4500	2B	Y	AA	450	AG	650	AM	900																						
	4500	HB3/HB4	Y	AB	450	AH	650	AN	900																						
	4500	2B	Y	AA	900																										

Reminder: The Joystick control is not included in the UltraMount® FloStat® hydraulics box.
Please choose between the Joystick Control #56369 or the CabCommand #56462

CHEVY/GMC

MODEL/ CHASSIS	YEAR	FOUR WHEEL DRIVE Vehicle Options				Plow Options (O) and Ballast Required (B)																								
		BODY STYLE	OTHER	ENGINE(S)	MIN FGAWR	HEAD LAMP	DRL ?	PLOW MODEL	S 7.5		SY 7.5		P 7.5		PY 7.5		P 8.0		PY 8.0		P 8.5		P 9.0		MVP 8.5		MVP 9.5			
									O	B	O	B	O	B	O	B	O	B	O	B	O	B	O	B	O	B	O	B	O	B
"CLASSIC" STYLE K2500 Pick-up 4x4	1997	Reg Cab	8.0' Box F60 or Snowplow prep. package recommended	5.7L V8	4250	2B	Y	1589 UT	AA	300	AG	300	AM	350	AS	400	AY	350	BQ	400	BE	350	BK	400						
				7.4L V8	4250	2B	Y		AB	300	AH	300	AN	350	AT	400	AZ	350	CF	400	BF	350	BL	400						
						HB3/HB4	Y		AA	400	AG	600	AM	800			AY	900			BE	1000								
		X-Cab	6.5' Box F60 or Snowplow prep. package recommended	5.7L V8	4250	2B	Y		AB	400	AH	600	AN	800			AZ	900			BF	1000								
				7.4L V8	4250	2B	Y		AA	350	AG	350	AM	400	AS	500	AY	400	BQ	550	BE	450	BK	550						
						HB3/HB4	Y		AB	350	AH	350	AN	400	AT	500	AZ	400	CF	550	BF	450	BL	550						
	8.0' Box F60 or Snowplow prep. package recommended	5.7L V8	4250	2B	Y	AB	850																							
				HB3/HB4	Y	AA	300		AG	400	AM	650	AS	950	AY	750	BQ	1000	BE	900	BK	1000								
					Y	AB	300		AH	400	AN	650	AT	950	AZ	750	CF	1000	BF	900	BL	1000								
	1996	Reg Cab	8.0' Box F60 or Snowplow prep. package recommended	5.7L V8	4250	2B	Y		1589 UT	AA	300	AG	300	AM	350	AS	400	AY	350	BQ	400	BE	400	BK	400					
				6.5L Diesel	4250	2B	Y			AB	300	AH	300	AN	350	AT	400	AZ	350	CF	400	BF	400	BL	400					
	1988-1995	Reg Cab	8.0' Box Min. 8,600 lb. GVWR F60 or Snowplow prep. package recommended	5.7L V8	4250	2B	Y		1589 UT	AC	400	AI	450	AO	450	AU	500	BA	500	CI	500	BG	500	BM	500					
AD								400		AJ	450	AP	450	AV	500	BB	500	CJ	500	BH	500	BN	500							
AE								400		AK	450	AQ	450	AW	500	BC	500	CK	500	BI	500	BO	500							
AF								400		AL	450	AR	450	AX	500	BD	500	CL	500	BJ	500	BP	500							
BR								400		BT	450	BV	450	BX	500	BZ	500	CM	500	CB	500	CD	500							
BS								400		BU	450	BW	450	BY	500	CA	500	CN	500	CC	500	CE	500							
7.4L V8				4250	2B	Y	AC	350		AI	350	AO	400	AU	450	BA	400	CI	450	BG	450	BM	450	CP	600	CV	850			
							AD	350		AJ	350	AP	400	AV	450	BB	400	CJ	450	BH	450	BN	450	CO	600	CU	850			
							AE	350		AK	350	AQ	400	AW	450	BC	400	CK	450	BI	450	BO	450	CR	600	CX	850			
							AF	350		AL	350	AR	400	AX	450	BD	400	CL	450	BJ	450	BP	450	CQ	600	CW	850			
							BR	350		BT	350	BV	400	BX	450	BZ	400	CM	450	CB	450	CD	450	CT	600	CZ	850			
							BS	350		BU	350	BW	400	BY	450	CA	400	CN	450	CC	450	CE	450	CS	600	CY	850			
3750				2B	Y	AC	850																							
						AD	850																							
						AE	850																							
						AF	850																							
						BR	850																							
						BS	850																							
6.5 or 6.2L Diesel			4250	2B	Y	AC	700	AI		900																				
						AD	700	AJ		900																				
						AE	700	AK		900																				
						AF	700	AL		900																				
						BR	700	BT		900																				
						BS	700	BU		900																				
8.0' Box Min. 7,200 lb. GVWR F60 or Snowplow prep. package recommended	4.3L V6	3925	2B	Y	AC	250	AI	300	AO	350	AU	400	BA	350	CI	400	BG	350	BM	400	CP	900								
					AD	250	AJ	300	AP	350	AV	400	BB	350	CJ	400	BH	350	BN	400	CO	900								
					AE	250	AK	300	AQ	350	AW	400	BC	350	CK	400	BI	350	BO	400	CR	900								
					AF	250	AL	300	AR	350	AX	400	BD	350	CL	400	BJ	350	BP	400	CQ	900								
					BR	250	BT	300	BV	350	BX	400	BZ	350	CM	400	CB	350	CD	400	CT	900								
					BS	250	BU	300	BW	350	BY	400	CA	350	CN	400	CC	350	CE	400	CS	900								
	3750		2B	Y	AC	250	AI	300	AO	350	AU	400	BA	350	CI	400	BG	350	BM	400										
					AD	250	AJ	300	AP	350	AV	400	BB	350	CJ	400	BH	350	BN	400										
					AE	250	AK	300	AQ	350	AW	400	BC	350	CK	400	BI	350	BO	400										
					AF	250	AL	300	AR	350	AX	400	BD	350	CL	400	BJ	350	BP	400										
					BR	250	BT	300	BV	350	BX	400	BZ	350	CM	400	CB	350	CD	400										
					BS	250	BU	300	BW	350	BY	400	CA	350	CN	400	CC	350	CE	400										
5.0L V8	3925	2B	Y	AC	300	AI	350	AO	400	AU	400	BA	400	CI	450	BG	400	BM	450											
				AD	300	AJ	350	AP	400	AV	400	BB	400	CJ	450	BH	400	BN	450											
				AE	300	AK	350	AQ	400	AW	400	BC	400	CK	450	BI	400	BO	450											
				AF	300	AL	350	AR	400	AX	400	BD	400	CL	450	BJ	400	BP	450											
				BR	300	BT	350	BV	400	BX	400	BZ	400	CM	450	CB	400	CD	450											
				BS	300	BU	350	BW	400	BY	400	CA	400	CN	450	CC	400	CE	450											
3750		2B	Y	AC	350	AI	500	AO	700	AU	950	BA	850	CI	1000	BG	950													
				AD	350	AJ	500	AP	700	AV	950	BB	850	CJ	1000	BH	950													
				AE	350	AK	500	AQ	700	AW	950	BC	850	CK	1000	BI	950													
				AF	350	AL	500	AR	700	AX	950	BD	850	CL	1000	BJ	950													
				BR	350	BT	500	BV	700	BX	950	BZ	850	CM	1000	CB	950													
				BS	350	BU	500	BW	700	BY	950	CA	850	CN	1000	CC	950													

Reminder: The Joystick control is not included in the UltraMount® FloStat® hydraulics box.
Please choose between the Joystick Control #56369 or the CabCommand #56462

CHEVY/GMC

FOUR WHEEL DRIVE Vehicle Options										Plow Options (O) and Ballast Required (B)																											
MODEL/ CHASSIS	YEAR	BODY STYLE	OTHER	ENGINE(S)	MIN FGAWR	HEAD LAMP	DRL ?	PLOW MODEL	S 7.5		SY 7.5		P 7.5		PY 7.5		P 8.0		PY 8.0		P 8.5		P 9.0		MVP 8.5		MVP 9.5										
									O	B	O	B	O	B	O	B	O	B	O	B	O	B	O	B	O	B	O	B	O	B	O	B					
"CLASSIC" STYLE K2500 Pick-up 4x4 (continued)	1988-1995 (continued)	Reg Cab (continued)	8.0' Box Min. 7,200 lb. GVWR F60 or Snowplow prep. package recommended (continued)	5.7L V8	3925	2B	Y	1589 UT	AC	300	AI	350	AO	400	AU	400	BA	400	CI	450	BG	400	BM	450													
									AD	300	AJ	350	AP	400	AV	400	BB	400	CJ	450	BH	400	BN	450													
									AE	300	AK	350	AQ	400	AW	400	BC	400	CK	450	BI	400	BO	450													
									AF	300	AL	350	AR	400	AX	400	BD	400	CL	450	BJ	400	BP	450													
									BR	300	BT	350	BV	400	BX	400	BZ	400	CM	450	CB	400	CD	450													
									BS	300	BU	350	BW	400	BY	400	CA	400	CN	450	CC	400	CE	450													
									AC	350	AI	500	AO	700	AU	950	BA	850	CI	1000	BG	950															
									AD	350	AJ	500	AP	700	AV	950	BB	850	CJ	1000	BH	950															
									AE	350	AK	500	AQ	700	AW	950	BC	850	CK	1000	BI	950															
									AF	350	AL	500	AR	700	AX	950	BD	850	CL	1000	BJ	950															
	BR	350	BT	500	BV	700	BX	950	BZ	850	CM	1000	CB	950																							
	BS	350	BU	500	BW	700	BY	950	CA	850	CN	1000	CC	950																							
	1973-1986	Reg Cab	8.0' Box Min. 8,600 lb. GVWR	4.8L L6	3700	2B	N	1519 UT	AB	600	AG	750	AL	950																							
									AD	600	AI	750	AN	950																							
									AB	800	AG	1000																									
									AD	800	AI	1000																									
									AB	900																											
			8.0' Box Min. 6,600 lb. GVWR	5.7L V8	3700	2B	N	1519 UT	AB	600	AG	750	AL	950																							
									AD	600	AI	750	AN	950																							
									AB	800	AG	1000																									
AD									800	AI	1000																										
AB									900																												
SILVERADO/SIERRA K2500HD Pick-up 4x4	2002	Reg Cab	8.0' Box Z85 or Snowplow prep. package recommended	6.0L V8	4800	HB3/HB4	Y	3529 UT	AA	350	AB	400	AC	450	AD	450	AE	450	AF	450	AG	450	AH	500	AI	650	AJ	700									
									AA	350	AB	400	AC	450	AD	450	AE	450	AF	450	AG	450	AH	500	AI	650	AJ	700									
									AA	450	AB	500	AC	500	AD	550	AE	550	AF	550	AG	550	AH	550													
									AA	600	AB	800	AC	950																							
									AA	500	AB	550	AC	600	AD	650	AE	600	AF	650	AG	600	AH	650													
			X-Cab	6.5' Box Z85 or Snowplow prep. package recommended	6.0L V8	4800	HB3/HB4	Y	3529 UT	AA	400	AB	400	AC	450	AD	500	AE	450	AF	500	AG	500	AH	500	AI	650	AJ	700								
										AA	400	AB	400	AC	450	AD	500	AE	450	AF	500	AG	500	AH	500	AI	650	AJ	900								
										AA	500	AB	500	AC	550	AD	600	AE	550	AF	600	AG	600	AH	600												
										AA	500	AB	650	AC	850																						
										AA	550	AB	550	AC	650	AD	950	AE	800	AF	950	AG	900	AH	1000												
	2001	Reg Cab	8.0' Box Z85 or Snowplow prep. package recommended	6.0L V8	4800	HB3/HB4	Y	3529 UT	AA	350	AB	350	AC	400	AD	450	AE	400	AF	450	AG	450	AH	450	AI	600	AJ	650									
									AA	350	AB	350	AC	400	AD	450	AE	400	AF	450	AG	450	AH	450	AI	700	AJ	950									
									AA	450	AB	450	AC	500	AD	550	AE	500	AF	550	AG	500	AH	550	AI	700	AJ	950									
									AA	500	AB	700	AC	850																							
									AA	500	AB	500	AC	550	AD	600	AE	550	AF	600	AG	600	AH	600													
		X-Cab	6.5' Box Z85 or Snowplow prep. package recommended	6.0L V8	4800	HB3/HB4	Y	3529 UT	AA	350	AB	350	AC	400	AD	450	AE	400	AF	450	AG	400	AH	450	AI	600	AJ	650									
									AA	350	AB	350	AC	400	AD	450	AE	400	AF	450	AG	400	AH	450	AI	600	AJ	800									
									AA	450	AB	450	AC	500	AD	550	AE	500	AF	550	AG	550	AH	550													
									AA	450	AB	500	AC	750	AD	1000	AE	850																			
									AA	500	AB	500	AC	550	AD	750	AE	600	AF	800	AG	700	AH	850													
Crew Cab	6.5' Box Z85 or Snowplow prep. package recommended	6.0L V8	4800	HB3/HB4	Y	3529 UT	AA	650	AB	850																											
							AA	350	AB	350	AC	400	AD	450	AE	400	AF	450	AG	450	AH	450	AI	600	AJ	650											
							AA	450	AB	450	AC	650	AD	900	AE	750	AF	950	AG	850	AH	950															
							AA	600	AB	800	AC	1000																									
							AA	350	AB	350	AC	400	AD	450	AE	400	AF	450	AG	400	AH	450															
2000-2002	All	Z85 or Snowplow package recommended Min. 8,500 lb. GVWR	All	All	All	HB3/HB4	Y	3529 UT	AA	?	AB	?	AC	?	AD	?	AE	?	AF	?	AG	?	AH	?	AI	?	AJ	?									

Reminder: The Joystick control is not included in the UltraMount® FloStat® hydraulics box.
Please choose between the Joystick Control #56369 or the CabCommand #56462

CHEVY/GMC

MODEL/ CHASSIS	YEAR	FOUR WHEEL DRIVE Vehicle Options				Plow Options (O) and Ballast Required (B)																								
		BODY STYLE	OTHER	ENGINE(S)	MIN FGAWR	HEAD LAMP	DRL ?	PLOW MODEL	S 7.5		SY 7.5		P 7.5		PY 7.5		P 8.0		PY 8.0		P 8.5		P 9.0		MVP 8.5		MVP 9.5			
									O	B	O	B	O	B	O	B	O	B	O	B	O	B	O	B	O	B	O	B	O	B
"CLASSIC" STYLE K2500 Chassis Cab 4x4	1996-2000	All	Min. 8,500 lb. GVWR	All	All	2B	Y	1589	AA	?	AG	?	AM	?	AS	?	AY	?	BQ	?	BE	?	BK	?	CO	?	CU	?		
						HB3/HB4	Y	UT	AB	?	AH	?	AN	?	AT	?	AZ	?	CF	?	BF	?	BL	?	CB	?	CQ	?	CW	?
						2B	Y	1589	AC	?	AI	?	AO	?	AU	?	BA	?	CI	?	BJ	?	BG	?	BM	?	CP	?	CV	?
						HB3/HB4	Y	UT	AD	?	AJ	?	AP	?	AV	?	BB	?	CJ	?	BH	?	BN	?	BO	?	CR	?	CX	?
	1990-1995	All	Min. 8,500 lb. GVWR	All	All	2B	N		AE	?	AK	?	AQ	?	AW	?	BC	?	CK	?	BI	?	BO	?	CR	?	CX	?		
						HB3/HB4	Y		AF	?	AL	?	AR	?	AX	?	BD	?	CL	?	BJ	?	BP	?	CQ	?	CW	?		
						LF/UF	Y		BR	?	BT	?	BV	?	BX	?	BZ	?	CM	?	CB	?	CD	?	CT	?	CZ	?		
						2B	N		BS	?	BU	?	BW	?	BY	?	CA	?	CN	?	CC	?	CE	?	CE	?	CS	?	CY	?
	1973-1986	All	Min. 8,500 lb. GVWR	All	All	2B	N	1519	AB	?	AG	?	AL	?	AQ	?	AV	?	BA	?	BF	?	BK	?	BV	?	BY	?		
						1A/2A	N	UT	AD	?	AI	?	AN	?	AS	?	AX	?	BC	?	BH	?	BM	?	BW	?	BZ	?		
						2B	N	1519	AB	?	AG	?	AL	?	AQ	?	AV	?	BA	?	BF	?	BK	?	BV	?	BY	?		
						1A/2A	N	UT	AD	?	AI	?	AN	?	AS	?	AX	?	BC	?	BH	?	BM	?	BW	?	BZ	?		
V 20 Chassis Cab 4x4	1987-1991	All	Min. 8,500 lb GVWR	All	All	2B	N	1519	AB	?	AG	?	AL	?	AQ	?	AV	?	BA	?	BF	?	BK	?	BV	?	BY	?		
						1A/2A	N	UT	AD	?	AI	?	AN	?	AS	?	AX	?	BC	?	BH	?	BM	?	BW	?	BZ	?		
SILVERADO/SIERRA K3500 Pick-up 4x4	2002	Reg Cab	8.0' Box Dual rear wheels Z85 or Snowplow prep. package recommended	6.0L V8	4800	HB3/HB4	Y	3529	UT																					
					4670	HB3/HB4	Y																							
					4800	HB3/HB4	Y																							
					4670	HB3/HB4	Y																							
					4800	HB3/HB4	Y																							
					4670	HB3/HB4	Y																							
		6.6L Diesel	4800	HB3/HB4	Y																									
			4670	HB3/HB4	Y																									
			8.0' Box Dual rear wheels Z85 or Snowplow prep. package recommended	6.0L V8	4800	HB3/HB4	Y																							
					4670	HB3/HB4	Y																							
					4800	HB3/HB4	Y																							
					4670	HB3/HB4	Y																							
	4800	HB3/HB4			Y																									
	4670	HB3/HB4			Y																									
	8.0' Box Dual rear wheels Z85 or Snowplow prep. package recommended	6.0L V8	4800	HB3/HB4	Y																									
			4670	HB3/HB4	Y																									
			4800	HB3/HB4	Y																									
			4670	HB3/HB4	Y																									
			4800	HB3/HB4	Y																									
			4670	HB3/HB4	Y																									
	Crew Cab	8.0' Box Dual rear wheels Z85 or Snowplow prep. package recommended	6.0L V8	4800	HB3/HB4	Y																								
				4670	HB3/HB4	Y																								
				4800	HB3/HB4	Y																								
				4670	HB3/HB4	Y																								
4800				HB3/HB4	Y																									
4670				HB3/HB4	Y																									
2001	Reg Cab	8.0' Box Dual rear wheels Z85 or Snowplow prep. package recommended	6.0L V8	4800	HB3/HB4	Y	3529	UT																						
				4670	HB3/HB4	Y																								
				4800	HB3/HB4	Y																								
				4670	HB3/HB4	Y																								
				4800	HB3/HB4	Y																								
				4670	HB3/HB4	Y																								
	6.6L Diesel	4800	HB3/HB4	Y																										
		4670	HB3/HB4	Y																										
		8.0' Box Dual rear wheels Z85 or Snowplow prep. package recommended	6.0L V8	4800	HB3/HB4	Y																								
				4670	HB3/HB4	Y																								
				4800	HB3/HB4	Y																								
				4670	HB3/HB4	Y																								
4800	HB3/HB4			Y																										
4670	HB3/HB4			Y																										
8.0' Box Dual rear wheels Z85 or Snowplow prep. package recommended	6.0L V8	4800	HB3/HB4	Y																										
		4670	HB3/HB4	Y																										
		4800	HB3/HB4	Y																										
		4670	HB3/HB4	Y																										
		4800	HB3/HB4	Y																										
		4670	HB3/HB4	Y																										
Crew Cab	8.0' Box Dual rear wheels Z85 or Snowplow prep. package recommended	6.0L V8	4800	HB3/HB4	Y																									
			4670	HB3/HB4	Y																									
			4800	HB3/HB4	Y																									
			4670	HB3/HB4	Y																									
			4800	HB3/HB4	Y																									
			4670	HB3/HB4	Y																									
"CLASSIC" STYLE K3500 Pick-up 4x4	2000	Reg Cab	8.0' Box Single rear wheels F60 or Snowplow prep. package recommended	5.7L V8	4500	2B	Y	1589	UT																					
					HB3/HB4	Y																								
					4500	2B	Y																							
					HB3/HB4	Y																								
					4500	2B	Y																							
					HB3/HB4	Y																								
		6.5L Diesel	4500	2B	Y																									
			HB3/HB4	Y																										
			8.0' Box Dual rear wheels F60 or Snowplow prep. package recommended	5.7L V8	4500	2B	Y																							
					HB3/HB4	Y																								
					4500	2B	Y																							
					HB3/HB4	Y																								
	4500	2B			Y																									
	HB3/HB4	Y																												
	6.5L Diesel	4500	2B	Y																										
		HB3/HB4	Y																											
		8.0' Box Dual rear wheels F60 or Snowplow prep. package recommended	5.7L V8	4500	2B	Y																								
				HB3/HB4	Y																									
				4500	2B	Y																								
				HB3/HB4	Y																									
	4500			2B	Y																									
	HB3/HB4			Y																										
	6.5L Diesel	4500	2B	Y																										
		HB3/HB4	Y																											
Crew Cab		8.0' Box Single rear wheels F60 or Snowplow prep. package recommended	5.7L V8	4500	2B	Y																								
				HB3/HB4	Y																									
				4500	2B	Y																								
				HB3/HB4	Y																									
	4500			2B	Y																									
	HB3/HB4			Y																										
7.4L V8	4500	2B	Y																											
	HB3/HB4	Y																												
	4500	2B	Y																											
	HB3/HB4	Y																												
	4500	2B	Y																											
	HB3/HB4	Y																												

Reminder: The Joystick control is not included in the UltraMount® FloStat® hydraulics box.
Please choose between the Joystick Control #56369 or the CabCommand #56462

CHEVY/GMC

MODEL/ CHASSIS	YEAR	FOUR WHEEL DRIVE Vehicle Options				Plow Options (O) and Ballast Required (B)																								
		BODY STYLE	OTHER	ENGINE(S)	MIN FGAWR	HEAD LAMP	DRL ?	PLOW MODEL	S 7.5		SY 7.5		P 7.5		PY 7.5		P 8.0		PY 8.0		P 8.5		P 9.0		MVP 8.5		MVP 9.5			
									O	B	O	B	O	B	O	B	O	B	O	B	O	B	O	B	O	B	O	B	O	B
"CLASSIC" STYLE K3500 Pick-up 4x4 (continued)	1998-1999	Reg Cab	8.0' Box Single rear wheels F60 or Snowplow prep. package recommended	5.7L V8	4500	2B	Y	1589 UT					AM	400	AS	400	AY	400	BQ	450	BE	400	BK	450	CO	850				
						HB3/HB4	Y		AN	400	AT	400	AZ	400	CF	450	BF	400	BL	450	CQ	850								
					4250	2B	Y		AM	550	AS	800	AY	650	BQ	850	BE	750	BK	900										
				7.4L V8	4500	2B	Y		AN	550	AT	800	AZ	650	CF	850	BF	750	BL	900										
						HB3/HB4	Y		AM	500	AS	650	AY	500	BQ	700	BE	600	BK	750										
					6.5L Diesel	4500	2B		Y	AN	500	AT	650	AZ	500	CF	700	BE	600	BL	750									
		8.0' Box Dual rear wheels F60 or Snowplow prep. package recommended	5.7L V8	4500	2B	Y									BE	1000														
					HB3/HB4	Y										BF	1000													
				4250	2B	Y										BE	250	BK	250											
			7.4L V8	4500	2B	Y										BF	250	BL	250											
					HB3/HB4	Y										BE	950													
				4500	2B	Y										BF	950													
	X-Cab	8.0' Box Dual rear wheels F60 or Snowplow prep. package recommended	5.7L V8	4500	2B	Y																								
					HB3/HB4	Y									BE	100	BK	200												
	1997	Reg Cab	8.0' Box Single rear wheels F60 or Snowplow prep. package recommended	5.7L V8	4250	2B	Y	1589 UT					AM	250	AS	250	AY	250	BQ	300	BE	250	BK	300						
						HB3/HB4	Y		AN	250	AT	250	AZ	250	CF	300	BF	250	BL	300										
			7.4L V8	4250	2B	Y	AM		800			AY	900																	
				HB3/HB4	Y	AN	800				AZ	900																		
		8.0' Box Dual rear wheels F60 or Snowplow prep. package recommended	5.7L V8	4250	2B	Y																								
					HB3/HB4	Y																								
X-Cab			8.0' Box Dual rear wheels F60 or Snowplow prep. package recommended	5.7L V8	4250	2B	Y																							
						HB3/HB4	Y																							
1996	Reg Cab	8.0' Box Single rear wheels F60 or Snowplow prep. package recommended	5.7L V8	4250	2B	Y	1589 UT					AM	250	AS	300	AY	250	BQ	300	BE	300	BK	300							
					HB3/HB4	Y		AN	250	AT	300	AZ	250	CF	300	BF	300	BL	300											
			7.4L V8	4250	2B	Y		AM	850			AY	950																	
		8.0' Box Dual rear wheels F60 or Snowplow prep. package recommended	5.7L V8	4250	2B	Y																								
					HB3/HB4	Y																								
			4250	2B	Y																									
1988-1995	Reg Cab	8.0' Box Single rear wheels F60 or Snowplow prep. package recommended	5.7L V8	4250	2B	Y	1589 UT					AO	300	AU	350	BA	350	CI	350	BG	350	BM	350							
						N		AP	300	AV	350	BB	350	CJ	350	BH	350	BN	350											
						HB3/HB4		Y	AQ	300	AW	350	BC	350	CK	350	BI	350	BO	350										
						N		AR	300	AX	350	BD	350	CL	350	BJ	350	BP	350											
						N		BV	300	BX	350	BZ	350	CM	350	CB	350	CD	350											
						N		BW	300	BY	350	CA	350	CN	350	CC	350	CE	350											
			7.4L V8	4250	2B	Y		AO	600	AU	850	BA	700	CI	900	BG	800	BM	900											
						N		AP	600	AV	850	BB	700	CJ	900	BH	800	BN	900											
						HB3/HB4		Y	AQ	600	AW	850	BC	700	CK	900	BI	800	BO	900										
						N		AR	600	AX	850	BD	700	CL	900	BJ	800	BP	900											
						N		BV	600	BX	850	BZ	700	CM	900	CB	800	CD	900											
						N		BW	600	BY	850	CA	700	CN	900	CC	800	CE	900											

Reminder: The Joystick control is not included in the UltraMount® FloStat® hydraulics box.
Please choose between the Joystick Control #56369 or the CabCommand #56462

CHEVY/GMC (TWO WHEEL DRIVE)

MODEL/ CHASSIS	YEAR	TWO WHEEL DRIVE Vehicle Options				Plow Options (O) and Ballast Required (B)																													
		BODY STYLE	OTHER	ENGINE(S)	MIN FGAWR	HEAD LAMP	DRL ?	PLOW MODEL	S 7.5		SY 7.5		P 7.5		PY 7.5		P 8.0		PY 8.0		P 8.5		P 9.0		MVP 8.5		MVP 9.5								
									O	B	O	B	O	B	O	B	O	B	O	B	O	B	O	B	O	B	O	B	O	B					
NEW BODY STYLE SILVERADO/SIERRA C3500 Pick-up 2WD	2002	X-Cab	8.0' Box Dual rear wheels Z85 or Snowplow prep. package recommended Min. 10,000 lb. GVWR	6.0L V8	4670	HB3/HB4	Y	3529 UT													AG	50	AH	50	AI	200	AJ	250							
				8.1L V8	4670	HB3/HB4	Y																	AG	250	AH	350								
				6.6L Diesel	4670	HB3/HB4	Y																		AG	900									
		Crew Cab	8.0' Box Dual rear wheels Z85 or Snowplow prep. package recommended Min. 10,000 lb. GVWR	6.0L V8	4670	HB3/HB4	Y																	AG	0	AH	0	AI	150	AJ	300				
				8.1L V8	4670	HB3/HB4	Y																		AG	650	AH	800							
				6.6L Diesel	4670	HB3/HB4	Y																												
	2001	X-Cab	8.0' Box Dual rear wheels Min. 10,000 lb. GVWR Z85 or Snowplow prep. package recommended	6.0L V8	4800	HB3/HB4	Y		3529 UT														AG	50	AH	100	AI	250	AJ	300					
					4670	HB3/HB4	Y																		AG	50	AH	100	AI	250	AJ	300			
					4500	HB3/HB4	Y																				AG	50	AH	500	AI	400	AJ	700	
				8.1L V8	4800	HB3/HB4	Y																				AG	250	AH	250	AI	1000			
					4670	HB3/HB4	Y																					AG	450	AH	550				
					4500	HB3/HB4	Y																					AG	1000						
6.6L Diesel	4800	HB3/HB4	Y																				AG	300	AH	350									
	4670	HB3/HB4	Y																				AG	800	AH	900									
	4500	HB3/HB4	Y																				AG	0	AH	50	AI	200	AJ	250					
Crew Cab	8.0' Box Dual rear wheels Min. 10,000 lb. GVWR Z85 or Snowplow prep. package recommended	6.0L V8	4800	HB3/HB4	Y																		AG	0	AH	50	AI	200	AJ	550					
			4670	HB3/HB4	Y																			AG	0	AH	50	AI	200	AJ	550				
			4500	HB3/HB4	Y																				AG	0	AH	50							
		8.1L V8	4800	HB3/HB4	Y																			AG	250	AH	350								
4670	HB3/HB4		Y																				AG	900	AH	1000									
6.6L Diesel	4800	HB3/HB4	Y																			AG	700	AH	800										
NEW BODY STYLE SILVERADO/SIERRA C3500 Chassis Cab 2WD C3600 Chassis Cab 2WD	2001	All	Dual rear wheels Min. 10,000 lb. GVWR F60 or Snowplow prep. package recommended	All	All	HB3/HB4	Y	3529 UT														AG	?	AH	?	AI	?	AJ	?						

Reminder: The Joystick control is not included in the UltraMount® FloStat® hydraulics box.
Please choose between the Joystick Control #56369 or the CabCommand #56462

CHEVY/GMC										Remember:
COMPLETE PLOW			COMPONENT NUMBERS							
MODEL	OPTION	BLADE SIZE	MOUNT ASSEMBLY	BLADE ASSEMBLY	ATTACHMENT ASSEMBLY	HYDRAULIC ASSEMBLY	LAMP KIT	HARNESS KIT	DRL KIT	Control Choice
1519 UltraMount® Plow	AA	UTS 7.5	63900	60018	63560	56588	61550-1	61555	61584	Choose either: #56369 Joystick Or #56462 CabCommand
	AB	UTS 7.5	63900	60018	63560	56588	61540-1	61545	----	
	AC	UTS 7.5	63900	60018	63560	56588	61550-1	61560	61584	
	AD	UTS 7.5	63900	60018	63560	56588	61540-1	61580	----	
	AE	UTS 7.5	63900	60018	63560	56588	61540-1	61565	----	
	AG	UTSY 7.5	63900	62110	63560	56588	61540-1	61545	----	
	AI	UTSY 7.5	63900	62110	63560	56588	61540-1	61580	----	
	AL	UTP 7.5	63900	60381	66880	56588	61540-1	61545	----	
	AN	UTP 7.5	63900	60381	66880	56588	61540-1	61580	----	
	AQ	UTPY 7.5	63900	62400	66880	56588	61540-1	61545	----	
	AS	UTPY 7.5	63900	62400	66880	56588	61540-1	61580	----	
	AV	UTP 8.0	63900	60390	66880	56588	61540-1	61545	----	
	AX	UTP 8.0	63900	60390	66880	56588	61540-1	61580	----	
	BA	UTPY 8.0	63900	62450	66880	56588	61540-1	61545	----	
	BC	UTPY 8.0	63900	62450	66880	56588	61540-1	61580	----	
	BF	UTP 8.5	63900	60308	66880	56588	61540-1	61545	----	
	BH	UTP 8.5	63900	60308	66880	56588	61540-1	61580	----	
	BK	UTP 9.0	63900	60655	66880	56588	61540-1	61545	----	
	BM	UTP 9.0	63900	60655	66880	56588	61540-1	61580	----	
	BO	UTP 7.5	63900	60381	66880	56588	61540-1	61545	61584	
	BP	UTPY 7.5	63900	62400	66880	56588	61540-1	61545	61584	
	BQ	UTP 8.0	63900	60390	66880	56588	61540-1	61545	61584	
	BR	UTPY 8.0	63900	62450	66880	56588	61540-1	61545	61584	
	BS	UTP 8.5	63900	60308	66880	56588	61540-1	61545	61584	
	BT	UTP 9.0	63900	60655	66880	56588	61540-1	61545	61584	
	BU	MVP 8.5	63900	63819	56810	56777	66640-2	61546	NO PLOW DRLS	
BV	MVP 8.5	63900	63819	56810	56777	66640-2	61546	----		
BW	MVP 8.5	63900	63819	56810	56777	66640-2	61566	----		
BX	MVP 9.5	63900	63808	56810	56777	66640-2	61546	NO PLOW DRLS		
BY	MVP 9.5	63900	63808	56810	56777	66640-2	61546	----		
BZ	MVP 9.5	63900	63808	56810	56777	66640-2	61566	----		

CHEVY/GMC

Remember:

COMPLETE PLOW			COMPONENT NUMBERS							Control Choice
MODEL	OPTION	BLADE SIZE	MOUNT ASSEMBLY	BLADE ASSEMBLY	ATTACHMENT ASSEMBLY	HYDRAULIC ASSEMBLY	LAMP KIT	HARNESS KIT	DRL KIT	
1589 UltraMount® Plow	AA	UTS 7.5	67865	60018	63560	56588	61540-1	61545	61584	Choose either: #56369 Joystick Or #56462 CabCommand
	AB	UTS 7.5	67865	60018	63560	56588	61540-1	61515	61584	
	AC	UTS 7.5	67865	60018	63560	56588	61550-1	61555	61584	
	AD	UTS 7.5	67865	60018	63560	56588	61540-1	61545	----	
	AE	UTS 7.5	67865	60018	63560	56588	61550-1	61585	61584	
	AF	UTS 7.5	67865	60018	63560	56588	61540-1	61515	----	
	AG	UTSY 7.5	67865	62110	63560	56588	61540-1	61545	61584	
	AH	UTSY 7.5	67865	62110	63560	56588	61540-1	61515	61584	
	AI	UTSY 7.5	67865	62110	63560	56588	61550-1	61555	61584	
	AJ	UTSY 7.5	67865	62110	63560	56588	61540-1	61545	----	
	AK	UTSY 7.5	67865	62110	63560	56588	61550-1	61585	61584	
	AL	UTSY 7.5	67865	62110	63560	56588	61540-1	61515	----	
	AM	UTP 7.5	67865	60381	66880	56588	61540-1	61545	61584	
	AN	UTP 7.5	67865	60381	66880	56588	61540-1	61515	61584	
	AO	UTP 7.5	67865	60381	66880	56588	61550-1	61555	61584	
	AP	UTP 7.5	67865	60381	66880	56588	61540-1	61545	----	
	AQ	UTP 7.5	67865	60381	66880	56588	61550-1	61585	61584	
	AR	UTP 7.5	67865	60381	66880	56588	61540-1	61515	----	
	AS	UTPY 7.5	67865	62400	66880	56588	61540-1	61545	61584	
	AT	UTPY 7.5	67865	62400	66880	56588	61540-1	61515	61584	
	AU	UTPY 7.5	67865	62400	66880	56588	61550-1	61555	61584	
	AV	UTPY 7.5	67865	62400	66880	56588	61540-1	61545	----	
	AW	UTPY 7.5	67865	62400	66880	56588	61550-1	61585	61584	
	AX	UTPY 7.5	67865	62400	66880	56588	61540-1	61515	----	
	AY	UTP 8.0	67865	60390	66880	56588	61540-1	61545	61584	
	AZ	UTP 8.0	67865	60390	66880	56588	61540-1	61515	61584	
	BA	UTP 8.0	67865	60390	66880	56588	61550-1	61555	61584	
	BB	UTP 8.0	67865	60390	66880	56588	61540-1	61545	----	
	BC	UTP 8.0	67865	60390	66880	56588	61550-1	61585	61584	
	BD	UTP 8.0	67865	60390	66880	56588	61540-1	61515	----	
BE	UTP 8.5	67865	60308	66880	56588	61540-1	61545	61584		
BF	UTP 8.5	67865	60308	66880	56588	61540-1	61515	61584		
BG	UTP 8.5	67865	60308	66880	56588	61550-1	61555	61584		
BH	UTP 8.5	67865	60308	66880	56588	61540-1	61545	----		
BI	UTP 8.5	67865	60308	66880	56588	61550-1	61585	61584		
BJ	UTP 8.5	67865	60308	66880	56588	61540-1	61515	----		
BK	UTP 9.0	67865	60655	66880	56588	61540-1	61545	61584		
BL	UTP 9.0	67865	60655	66880	56588	61540-1	61515	61584		
BM	UTP 9.0	67865	60655	66880	56588	61550-1	61555	61584		
BN	UTP 9.0	67865	60655	66880	56588	61540-1	61545	----		
BO	UTP 9.0	67865	60655	66880	56588	61550-1	61585	61584		
BP	UTP 9.0	67865	60655	66880	56588	61540-1	61515	----		
BQ	UTPY 8.0	67865	62450	66880	56588	61540-1	61545	61584		
BR	UTS 7.5	67865	60018	63560	56588	61550-1	61560	61584		
BS	UTS 7.5	67865	60018	63560	56588	61540-1	61580	----		

CHEVY/GMC										Remember:
COMPLETE PLOW			COMPONENT NUMBERS							
MODEL	OPTION	BLADE SIZE	MOUNT ASSEMBLY	BLADE ASSEMBLY	ATTACHMENT ASSEMBLY	HYDRAULIC ASSEMBLY	LAMP KIT	HARNESS KIT	DRL KIT	Control Choice
1589 (continued) UltraMount® Plow	BT	UTSY 7.5	67865	62110	63560	56588	61550-1	61560	61584	Choose either: #56369 Joystick Or #56462 CabCommand
	BU	UTSY 7.5	67865	62110	63560	56588	61540-1	61580	----	
	BV	UTP 7.5	67865	60381	66880	56588	61550-1	61560	61584	
	BW	UTP 7.5	67865	60381	66880	56588	61540-1	61580	----	
	BX	UTPY 7.5	67865	62400	66880	56588	61550-1	61560	61584	
	BY	UTPY 7.5	67865	62400	66880	56588	61540-1	61580	----	
	BZ	UTP 8.0	67865	60390	66880	56588	61550-1	61560	61584	
	CA	UTP 8.0	67865	60390	66880	56588	61540-1	61580	----	
	CB	UTP 8.5	67865	60308	66880	56588	61550-1	61560	61584	
	CC	UTP 8.5	67865	60308	66880	56588	61540-1	61580	----	
	CD	UTP 9.0	67865	60655	66880	56588	61550-1	61560	61584	
	CE	UTP 9.0	67865	60655	66880	56588	61540-1	61580	----	
	CF	UTPY 8.0	67865	62450	66880	56588	61540-1	61515	61584	
	CI	UTPY 8.0	67865	62450	66880	56588	61550-1	61555	61584	
	CJ	UTPY 8.0	67865	62450	66880	56588	61540-1	61545	----	
	CK	UTPY 8.0	67865	62450	66880	56588	61550-1	61585	61584	
	CL	UTPY 8.0	67865	62450	66880	56588	61540-1	61515	----	
	CM	UTPY 8.0	67865	62450	66880	56588	61550-1	61560	61584	
	CN	UTPY 8.0	67865	62450	66880	56588	61540-1	61560	----	
	CO	MVP 8.5	67865	63819	56810	56777	66640-2	61546	----	
	CP	MVP 8.5	67865	63819	56810	56777	61550-1	63416	61584	
	CQ	MVP 8.5	67865	63819	56810	56777	66640-2	61716	----	
	CR	MVP 8.5	67865	63819	56810	56777	61550-1	63417	61584	
	CS	MVP 8.5	67865	63819	56810	56777	66640-2	61581	----	
CT	MVP 8.5	67865	63819	56810	56777	61550-1	63418	61584		
CU	MVP 9.5	67865	63808	56810	56777	66640-2	61546	----		
CV	MVP 9.5	67865	63808	56810	56777	61550-1	63416	61584		
CW	MVP 9.5	67865	63808	56810	56777	66640-2	61716	----		
CX	MVP 9.5	67865	63808	56810	56777	61550-1	63417	61584		
CY	MVP 9.5	67865	63808	56810	56777	66640-2	61581	----		
CZ	MVP 9.5	67865	63808	56810	56777	61550-1	63418	61584		
3519 UltraMount® Plow	AA	UTS 7.5	67960-1	60018	63560	56588	61540-1	63392	---	Choose either: #56369 Joystick Or #56462 CabCommand
	AB	UTSY 7.5	67960-1	62110	63560	56588	61540-1	63392	---	
	AC	UTP 7.5	67960-1	60381	66880	56588	61540-1	63392	---	
	AD	UTPY 7.5	67960-1	62400	66880	56588	61540-1	63392	---	
	AE	UTP 8.0	67960-1	60390	66880	56588	61540-1	63392	---	
	AF	UTPY 8.0	67960-1	62450	66880	56588	61540-1	63392	---	
3529 UltraMount® Plow	AA	UTS 7.5	67981-2	60018	63560	56588	61540-1	63392	---	Choose either: #56369 Joystick Or #56462 CabCommand
	AB	UTSY 7.5	67981-2	62110	63560	56588	61540-1	63392	---	
	AC	UTP 7.5	67981-2	60381	66880	56588	61540-1	63392	---	
	AD	UTPY 7.5	67981-2	62400	66880	56588	61540-1	63392	---	
	AE	UTP 8.0	67981-2	60390	66880	56588	61540-1	63392	---	
	AF	UTPY 8.0	67981-2	62450	66880	56588	61540-1	63392	---	
	AG	UTP 8.5	67981-2	60308	66880	56588	61540-1	63392	---	
	AH	UTP 9.0	67981-2	60655	66880	56588	61540-1	63392	---	
	AI	MVP 8.5	67981-2	63819	56810	56777	66640-2	63394	---	
	AJ	MVP 9.5	67981-2	63808	56810	56777	66640-2	63394	---	

DODGE

FOUR WHEEL DRIVE Vehicle Options																	Plow Options (O) and Ballast Required (B)																		
MODEL/ CHASSIS	YEAR	BODY STYLE	OTHER	ENGINE(S)	MIN FGAWR	HEAD LAMP	DRL ?	PLOW MODEL	S 7.5		SY 7.5		P 7.5		PY 7.5		P 8.0		PY 8.0		P 8.5		P 9.0		MVP 8.5		MVP 9.5								
									O	B	O	B	O	B	O	B	O	B	O	B	O	B	O	B	O	B	O	B	O	B	O	B			
RAM 1500 Pick-up 4x4 Bumper notching on SPORT required (Vehicles with cab lights also require kit # 61185)	2002	Reg Cab	6.5' Box	4.7L V8	3900	HB5	Y	959 UT	AA	350	AC	450																							
					N		AB		350	AD	450																								
					Y		AA		450																										
	2000-2001	Reg Cab	6.5' Box	5.2L V8	3850	HB1	Y	989 UT	AS	600																									
							N		AT	600																									
							Y		AU	600																									
	1999	Reg Cab	6.5' Box	5.2L V8	3850	HB1	Y	989 UT	AS	450																									
							N		AT	450																									
							Y		AU	450																									
				5.9L V8	3850	HB1	N		AV	450																									
							Y		AS	500																									
							N		AT	500																									
	1998	Reg Cab	6.5' Box	5.2L V8	3850	HB1	Y	989 UT	AA	450																									
							N		AB	450																									
							Y		AA	500																									
	1997	Reg Cab	6.5' Box	5.2L V8	3850	HB1	Y	989 UT	AA	500	AC	650																							
							N		AB	500	AD	650																							
							Y		AA	550																									
	1994-1996	Reg Cab	6.5' Box Snowplow prep. package recommended	5.2L V8	3850	HB1	Y	989 UT	AA	500	AC	550	AE	650				AI	750																
							N		AB	500	AD	550	AF	650																					
Y							AA		500	AC	550	AE	700																						
8.0' Box Snowplow prep. package recommended			5.2L V8	3850	HB1	N	AB		500	AD	550	AF	700																						
						Y	AA		550																										
						N	AB		550																										
5.9L V8	3850	HB1	Y	AA	650																														
			N	AB	650																														
			Y	AA	650																														
RAM 2500 HD Pick-up 4x4 Bumper notching on SPORT required (Vehicles with cab lights also require kit # 61185)	2002	Reg Cab	8' Box Snowplow prep. package recommended	5.9L V8	5200	HB1	989 UT	AS	300	AW	300	BA	350	BE	400	BI	350	BM	400	BQ	350	BU	400	BY	550	CE	600								
								N	AT	300	AX	300	BB	350	BF	400	BJ	350	BN	400	BR	350	BV	400	BZ	550	CF	600							
								Y	AU	300	AY	300	BC	350	BG	400	BK	350	BO	400	BS	350	BW	400	CA	550	CG	600							
				8.0L V10	5200	HB1		N	AV	300	AZ	300	BD	350	BH	400	BL	350	BP	400	BT	350	BX	400	CB	550	CH	600							
								Y	AS	350	AW	350	BA	400	BE	450	BI	400	BM	450	BQ	450	BU	450	BY	600	CE	650							
								N	AT	350	AX	350	BB	400	BF	450	BJ	400	BN	450	BR	450	BV	450	BZ	600	CF	650							
			5.9L Diesel	5200	HB1	Y		AU	350	AY	350	BC	400	BG	450	BK	400	BO	450	BS	450	BW	450	CA	600	CG	650								
						N		AV	350	AZ	350	BD	400	BH	450	BL	400	BP	450	BT	450	BX	450	CB	600	CH	650								
						Y		AS	500	AW	550	BA	550	BE	600	BI	600	BM	600	BQ	600	BU	600	BY	800										
			8' Box Snowplow prep. package recommended	5.9L V8	5200	HB1		Y	AT	500	AX	550	BB	550	BF	600	BJ	600	BN	600	BR	600	BV	600	BZ	800									
								N	AU	500	AY	550	BC	550	BG	600	BK	600	BO	600	BS	600	BW	600	CA	800									
								Y	AV	500	AZ	550	BD	550	BH	600	BL	600	BP	600	BT	600	BX	600	CB	800									
	Quad Cab	6.5' Box Snowplow prep. package recommended	5.9L V8	5200	HB1	Y	AS	200	AW	250	BA	250	BE	300	BI	300	BM	300	BQ	300	BU	300	BY	500	CE	550									
						N	AT	200	AX	250	BB	250	BF	300	BJ	300	BN	300	BR	300	BV	300	BZ	500	CF	550									
						Y	AU	200	AY	250	BC	250	BG	300	BK	300	BO	300	BS	300	BW	300	CA	500	CG	550									
			8.0L V10	5200	HB1	N	AV	200	AZ	250	BD	250	BH	300	BL	300	BP	300	BT	300	BX	300	CB	500	CH	550									
						Y	AS	250	AW	300	BA	300	BE	350	BI	350	BM	350	BQ	350	BU	350	BY	550	CE	600									
						N	AT	250	AX	300	BB	300	BF	350	BJ	350	BN	350	BR	350	BV	350	BZ	550	CF	600									
		5.9L Diesel	5200	HB1	Y	AU	250	AY	300	BC	300	BG	350	BK	350	BO	350	BS	350	BW	350	CA	550	CG	600										
					N	AV	250	AZ	300	BD	300	BH	350	BL	350	BP	350	BT	350	BX	350	CB	550	CH	600										
					Y	AS	450	AW	450	BA	500	BE	550	BI	500	BM	550	BQ	500	BU	550														
		8' Box Snowplow prep. package recommended	5.9L V8	5200	HB1	Y	AT	450	AX	450	BB	500	BF	550	BJ	500	BN	550	BR	500	BV	550													
						N	AU	450	AY	450	BC	500	BG	550	BK	500	BO	550	BS	500	BW	550													
						Y	AV	450	AZ	450	BD	500	BH	550	BL	500	BP	550	BT	500	BX	550													
8.0L V10	5200		HB1	Y	AS	250	AW	300	BA	300	BE	350	BI	350	BM	350	BQ	350	BU	350	BY	500	CE	550											
				N	AT	250	AX	300	BB	300	BF	350	BJ	350	BN	350	BR	350	BV	350	BZ	500	CF	550											
				Y	AU	250	AY	300	BC	300	BG	350	BK	350	BO	350	BS	350	BW	350	CA	500	CG	550											
5.9L Diesel	5200	HB1	N	AV	250	AZ	300	BD	300	BH	350	BL	350	BP	350	BT	350	BX	350	CB	500	CH	550												
			Y	AS	300	AW	350	BA	350	BE	400	BI	400	BM	400	BQ	400	BU	400	BY	550	CE	600												
			N	AT	300	AX	350	BB	350	BF	400	BJ	400	BN	400	BR	400	BV	400	BZ	550	CF	600												
8' Box Snowplow prep. package recommended	5.9L V8	5200	HB1	Y	AU	300	AY	350	BC	350	BG	400	BK	400	BO	400	BS	400	BW	400	CA	550	CG	600											
				N	AV	300	AZ	350	BD	350	BH	400	BL	400	BP	400	BT	400	BX	400	CB	550	CH	600											
				Y	AS	500	AW	500	BA	550	BE	600	BI	550	BM	600	BQ	550	BU	600															
8' Box Snowplow prep. package recommended	5.9L V8	5200	HB1	Y	AT	500	AX	500	BB	550	BF	600	BJ	550	BN	600	BR	550	BV	600															
				N	AU	500	AY	500	BC	550	BG	600	BK	550	BO	600	BS	550	BW	600															
				Y	AV	500	AZ	500	BD	550	BH	600	BL	550	BP	600	BT	550	BX	600															

Reminder: The Joystick control is not included in the UltraMount® FloStat® hydraulics box.
Please choose between the Joystick Control #56369 or the CabCommand #56462

DODGE

FOUR WHEEL DRIVE Vehicle Options										Plow Options (O) and Ballast Required (B)																						
MODEL/ CHASSIS	YEAR	BODY STYLE	OTHER	ENGINE(S)	MIN FGAWR	HEAD LAMP	DRL ?	PLOW MODEL	S 7.5		SY 7.5		P 7.5		PY 7.5		P 8.0		PY 8.0		P 8.5		P 9.0		MVP 8.5		MVP 9.5					
									O	B	O	B	O	B	O	B	O	B	O	B	O	B	O	B	O	B	O	B				
RAM 2500 HD Pick-up 4x4 Bumper notching on SPORT required (Vehicles with cab lights also require kit # 61185) (continued)	2001	Reg Cab	8' Box Snowplow prep. package recommended	5.9L V8	5200	HB1	Y	989 UT	AS	350	AW	400	BA	400	BE	450	BI	450	BM	450	BQ	450	BU	450	BY	650	CE	700				
						N	AT		350	AX	400	BB	400	BF	450	BJ	450	BN	450	BR	450	BV	450	BZ	650	CF	700					
						HB5/HB1	Y		AU	350	AY	400	BC	400	BG	450	BK	450	BO	450	BS	450	BW	450	CA	650	CG	700				
						N	AV		350	AZ	400	BD	400	BH	450	BL	450	BP	450	BT	450	BX	450	CB	650	CH	700					
						N	AS		400	AW	450	BA	500	BE	500	BI	500	BM	550	BQ	500	BU	550	BY	700	CE	750					
						N	AT		400	AX	450	BB	500	BF	500	BJ	500	BN	550	BR	500	BV	550	BZ	700	CF	750					
				N	AU	400	AY		450	BC	500	BG	500	BK	500	BO	550	BS	500	BW	550	CA	700	CG	750							
				N	AV	400	AZ		450	BD	500	BH	500	BL	500	BP	550	BT	500	BX	550	CB	700	CH	750							
				N	AS	550	AW		600	BA	650	BE	700	BI	650	BM	700	BQ	650	BU	700	BY	850									
				N	AT	550	AX		600	BB	650	BF	700	BJ	650	BN	700	BR	650	BV	700	BZ	850									
				N	AU	550	AY		600	BC	650	BG	700	BK	650	BO	700	BS	650	BW	700	CA	850									
				N	AV	550	AZ		450	BD	650	BH	700	BL	650	BP	700	BT	650	BX	700	CB	850									
		N	AS	250	AW	300	BA		300	BE	350	BI	350	BM	350	BQ	350	BU	350	BY	550	CE	600									
		N	AT	250	AX	300	BB		300	BF	350	BJ	350	BN	350	BR	350	BV	350	BZ	550	CF	600									
		N	AU	250	AY	300	BC		300	BG	350	BK	350	BO	350	BS	350	BW	350	CA	550	CG	600									
		N	AV	250	AZ	300	BD		300	BH	350	BL	350	BP	350	BT	350	BX	350	CB	550	CH	600									
		N	AS	300	AW	350	BA		400	BE	450	BI	400	BM	450	BQ	400	BU	450	BY	600	CE	650									
		N	AT	300	AX	350	BB		400	BF	450	BJ	400	BN	450	BR	400	BV	450	BZ	600	CF	650									
		N	AU	300	AY	350	BC		400	BG	450	BK	400	BO	450	BS	400	BW	450	CA	600	CG	650									
		N	AV	300	AZ	350	BD		400	BH	450	BL	400	BP	450	BT	400	BX	450	CB	600	CH	650									
		N	AS	300	AW	350	BA		400	BE	450	BI	400	BM	450	BQ	400	BU	450	BY	600	CE	650									
		N	AT	300	AX	350	BB		400	BF	450	BJ	400	BN	450	BR	400	BV	450	BZ	600	CF	650									
		N	AU	300	AY	350	BC		400	BG	450	BK	400	BO	450	BS	400	BW	450	CA	600	CG	650									
		N	AV	300	AZ	350	BD		400	BH	450	BL	400	BP	450	BT	400	BX	450	CB	600	CH	650									
	N	AS	500	AW	550	BA	550	BE	600	BI	600	BM	600	BQ	600	BU	600															
	N	AT	500	AX	550	BB	550	BF	600	BJ	600	BN	600	BR	600	BV	600															
	N	AU	500	AY	550	BC	550	BG	600	BK	600	BO	600	BS	600	BW	600															
	N	AV	500	AZ	550	BD	550	BH	600	BL	600	BP	600	BT	600	BX	600															
	N	AS	300	AW	350	BA	350	BE	400	BI	400	BM	400	BQ	400	BU	400	BY	600	CE	650											
	N	AT	300	AX	350	BB	350	BF	400	BJ	400	BN	400	BR	400	BV	400	BZ	600	CF	650											
	N	AU	300	AY	350	BC	350	BG	400	BK	400	BO	400	BS	400	BW	400	CA	600	CG	650											
	N	AV	300	AZ	350	BD	350	BH	400	BL	400	BP	400	BT	400	BX	400	CB	600	CH	650											
	N	AS	350	AW	400	BA	450	BE	500	BI	450	BM	500	BQ	450	BU	500	BY	600	CE	750											
	N	AT	350	AX	400	BB	450	BF	500	BJ	450	BN	500	BR	450	BV	500	BZ	650	CF	750											
	N	AU	350	AY	400	BC	450	BG	500	BK	450	BO	500	BS	450	BW	500	CA	650	CG	750											
	N	AV	350	AZ	400	BD	450	BH	500	BL	450	BP	500	BT	450	BX	500	CB	650	CH	750											
	N	AS	550	AW	600	BA	600	BE	650	BI	600	BM	650	BQ	650	BU	650															
	N	AT	550	AX	600	BB	600	BF	650	BJ	600	BN	650	BR	650	BV	650															
	N	AU	550	AY	600	BC	600	BG	650	BK	600	BO	650	BS	650	BW	650															
	N	AV	550	AZ	600	BD	600	BH	650	BL	600	BP	650	BT	650	BX	650															
	2000	Reg Cab	8' Box Snowplow prep. package recommended	5.9L V8	5200	HB1	Y	989 UT	AS	350	AW	400	BA	400	BE	450	BI	450	BM	450	BQ	450	BU	450	BY	650	CE	700				
						N	AT		350	AX	400	BB	400	BF	450	BJ	450	BN	450	BR	450	BV	450	BZ	650	CF	700					
						HB5/HB1	Y		AU	350	AY	400	BC	400	BG	450	BK	450	BO	450	BS	450	BW	450	CA	650	CG	700				
						N	AV		350	AZ	400	BD	400	BH	450	BL	450	BP	450	BT	450	BX	450	CB	650	CH	700					
						N	AS		400	AW	450	BA	500	BE	500	BI	500	BM	550	BQ	500	BU	550	BY	700	CE	750					
						N	AT		400	AX	450	BB	500	BF	500	BJ	500	BN	550	BR	500	BV	550	BZ	700	CF	750					
				N	AU	400	AY		450	BC	500	BG	500	BK	500	BO	550	BS	500	BW	550	CA	700	CG	750							
				N	AV	400	AZ		450	BD	500	BH	500	BL	500	BP	550	BT	500	BX	550	CB	700	CH	750							
N				AS	550	AW	600		BA	650	BE	700	BI	650	BM	700	BQ	650	BU	700	BY	850										
N				AT	550	AX	600		BB	650	BF	700	BJ	650	BN	700	BR	650	BV	700	BZ	850										
N				AU	550	AY	600		BC	650	BG	700	BK	650	BO	700	BS	650	BW	700	CA	850										
N				AV	550	AZ	600		BD	650	BH	700	BL	650	BP	700	BT	650	BX	700	CB	850										
N		AS	250	AW	300	BA	300		BE	350	BI	350	BM	350	BQ	350	BU	350	BY	550	CE	600										
N		AT	250	AX	300	BB	300		BF	350	BJ	350	BN	350	BR	350	BV	350	BZ	550	CF	600										
N		AU	250	AY	300	BC	300		BG	350	BK	350	BO	350	BS	350	BW	350	CA	550	CG	600										
N		AV	250	AZ	300	BD	300		BH	350	BL	350	BP	350	BT	350	BX	350	CB	550	CH	600										
N		AS	300	AW	350	BA	400		BE	450	BI	400	BM	450	BQ	400	BU	450	BY	600	CE	650										
N		AT	300	AX	350	BB	400		BF	450	BJ	400	BN	450	BR	400	BV	450	BZ	600	CF	650										
N		AU	300	AY	350	BC	400		BG	450	BK	400	BO	450	BS	400	BW	450	CA	600	CG	650										
N		AV	300	AZ	350	BD	400		BH	450	BL	400	BP	450	BT	400	BX	450	CB	600	CH	650										
N		AS	500	AW	550	BA	550		BE	600	BI	6																				

DODGE

MODEL/ CHASSIS	YEAR	FOUR WHEEL DRIVE Vehicle Options				Plow Options (O) and Ballast Required (B)																							
		BODY STYLE	OTHER	ENGINE(S)	MIN FGAWR	HEAD LAMP	DRL ?	PLOW MODEL	S 7.5		SY 7.5		P 7.5		PY 7.5		P 8.0		PY 8.0		P 8.5		P 9.0		MVP 8.5		MVP 9.5		
									O	B	O	B	O	B	O	B	O	B	O	B	O	B	O	B	O	B	O	B	O
RAM 2500 HD Pick-up 4x4 Bumper notching on SPORT required (Vehicles with cab lights also require kit # 61185) (continued)	2000 (continued)	Quad Cab (continued)	8' Box Snowplow prep. package recommended	5.9L V8	5200	HB1	Y	989 UT	AS	300	AW	350	BA	350	BE	400	BI	400	BM	400	BQ	400	BU	400	BY	600	CE	650	
						N	AT		300	AX	350	BB	350	BF	400	BJ	400	BN	400	BR	400	BS	400	BT	400	BV	400	BZ	600
				Y	AU	300	AY		350	BC	350	BG	400	BK	400	BO	400	BO	400	BS	400	BW	400	CA	600	CG	650		
				N	AV	300	AZ		350	BD	350	BH	400	BL	400	BP	400	BP	400	BT	400	BX	400	CB	600	CH	650		
				Y	AS	350	AW		400	BA	450	BE	500	BI	450	BM	500	BQ	450	BU	500	BY	650	CE	750				
				N	AT	350	AX		400	BB	450	BF	500	BJ	450	BN	500	BR	450	BV	500	BZ	650	CF	750				
	1999	Reg Cab	8' Box Snowplow prep. package recommended	5.9L V8	4850	HB1	Y		989 UT	AS	250	AW	300	BA	350	BE	400	BI	350	BM	400	BQ	350	BU	400	BY	550	CE	600
						N	AT			250	AX	300	BB	350	BF	400	BJ	350	BN	400	BR	350	BV	400	BZ	550	CF	600	
				Y	AU	250	AY			300	BC	350	BG	400	BK	350	BO	400	BS	350	BW	400	CA	550	CG	600			
				N	AV	250	AZ			300	BD	350	BH	400	BL	350	BP	400	BT	350	BX	400	CB	550	CH	600			
				Y	AS	350	AW			400	BA	450	BE	500	BI	450	BM	500	BQ	450	BU	500	BY	750					
				N	AT	350	AX			400	BB	450	BF	500	BJ	450	BN	500	BR	450	BV	500	BZ	750					
1998	Reg Cab	8' Box Snowplow prep. package recommended	5.9L V8	4850	HB1	Y	989 UT	AS		550	AW	600	BA	600	BE	650	BI	600	BM	650	BQ	650	BU	650					
					N	AT		550		AX	600	BB	600	BF	650	BJ	600	BN	650	BR	650	BV	650						
			Y	AU	550	AY		600		BC	600	BG	650	BK	600	BO	650	BS	650	BW	650								
			N	AV	550	AZ		600		BD	600	BH	650	BL	600	BP	650	BT	650	BX	650								
			Y	AS	250	AW		300		BA	350	BE	400	BI	350	BM	400	BQ	350	BU	400	BY	550	CE	600				
			N	AT	250	AX		300		BB	350	BF	400	BJ	350	BN	400	BR	350	BV	400	BZ	550	CF	600				
1998	Reg Cab	8' Box Snowplow prep. package recommended	5.9L V8	4850	HB1	Y		989 UT	AA	250	AC	300	AE	350	AG	400	AI	350	AO	400	AK	350	AM	400	CC	550	CI	600	
					N	AB			250	AD	300	AF	350	AH	400	AJ	350	AP	400	AL	350	AN	400	CD	550	CJ	600		
			Y	AA	350	AC			400	AE	450	AG	500	AI	450	AO	500	AK	450	AM	500	CC	750						
			N	AB	350	AD			400	AF	450	AH	500	AJ	450	AP	500	AL	450	AN	500	CD	750						
			Y	AA	500	AC			550	AE	600	AG	650	AI	600	AO	650	AK	600	AM	650								
			N	AB	500	AD			550	AF	600	AH	650	AJ	600	AP	650	AL	600	AN	650								

Reminder: The Joystick control is not included in the UltraMount® FloStat® hydraulics box.
Please choose between the Joystick Control #56369 or the CabCommand #56462

DODGE

FOUR WHEEL DRIVE Vehicle Options										Plow Options (O) and Ballast Required (B)																				
MODEL/ CHASSIS	YEAR	BODY STYLE	OTHER	ENGINE(S)	MIN FGAWR	HEAD LAMP	DRL ?	PLOW MODEL	S 7.5		SY 7.5		P 7.5		PY 7.5		P 8.0		PY 8.0		P 8.5		P 9.0		MVP 8.5		MVP 9.5			
									O	B	O	B	O	B	O	B	O	B	O	B	O	B	O	B	O	B	O	B	O	B
RAM 2500 HD Pick-up 4x4 Bumper notching on SPORT required (Vehicles with cab lights also require kit # 61185) (continued)	1998 (continued)	X-Cab	6.5' Box Snowplow prep. package recommended	5.9L V8	4850	HB1	Y	989 UT	AA	300	AC	350	AE	350	AG	400	AI	400	AO	400	AK	400	AM	400	CC	600	CI	650		
				8.0L V10	4850	HB1	Y		AB	300	AD	350	AF	350	AH	400	AJ	400	AP	400	AL	400	AN	400	CD	600	CJ	650		
				5.9L Diesel	4850	HB1	Y		AA	450	AC	500	AE	550	AG	600	AI	550	AO	600	AK	550	AM	600						
						N	AA		450	AD	500	AF	550	AH	600	AJ	550	AP	600	AL	550	AN	600							
						N	AA		500	AC	600	AE	850			AI	950													
						N	AB		500	AD	600	AF	850			AJ	950													
				8' Box Snowplow prep. package recommended	5.9L V8	4850	HB1		Y	AA	250	AC	300	AE	350	AG	400	AI	350	AO	400	AK	350	AM	400	CC	550	CI	600	
		8.0L V10	4850		HB1	Y	AB		250	AD	300	AF	350	AH	400	AJ	350	AP	400	AL	350	AN	400	CD	550	CJ	600			
		5.9L Diesel	4850		HB1	Y	AA		300	AC	300	AE	350	AG	400	AI	350	AO	400	AK	400	AM	400	CC	950					
										N	AA	300	AD	300	AF	350	AH	400	AJ	350	AP	400	AL	400	AN	400	CD	950		
										N	AA	1000																		
										N	AB	1000																		
			Quad Cab	6.5' Box Snowplow prep. package recommended	5.9L V8	4850	HB1	Y	AA	300	AC	300	AE	350	AG	400	AI	350	AO	400	AK	400	AM	400	CC	600	CI	650		
	8.0L V10	4850			HB1	Y	AB	300	AD	300	AF	350	AH	400	AJ	350	AP	400	AL	400	AN	400	CD	600	CJ	650				
	5.9L Diesel	4850			HB1	Y	AA	450	AC	500	AE	500	AG	550	AI	550	AO	550	AK	550	AM	550								
								N	AA	450	AD	500	AF	500	AH	550	AJ	550	AP	550	AL	550	AN	550						
								N	AA	600	AC	750	AE	950																
								N	AB	600	AD	750	AF	950																
			8' Box Snowplow prep. package recommended	5.9L V8	4850	HB1	Y	AA	250	AC	300	AE	300	AG	350	AI	350	AO	350	AK	350	AM	350	CC	550	CI	600			
	8.0L V10	4850		HB1	Y	AB	250	AD	300	AF	300	AH	350	AJ	350	AP	350	AL	350	AN	350	CD	550	CJ	600					
	5.9L Diesel	4850		HB1	Y	AA	250	AC	300	AE	350	AG	400	AI	350	AO	400	AK	350	AM	400	CC	1000							
								N	AA	250	AD	300	AF	350	AH	400	AJ	350	AP	400	AL	350	AN	400	CD	1000				
								N	AB	250	AD	300	AF	350	AG	400	AJ	350	AP	400	AL	350	AN	400	CD	1000				
								N	AA	500	AC	700	AE	950																
							N	AB	500	AD	700	AF	950																	
							N	AA	450	AC	450	AE	500	AG	550	AI	500	AO	550	AK	550	AM	550	CC	700	CI	750			
							N	AB	450	AD	450	AF	500	AH	550	AJ	500	AP	550	AL	550	AN	550	CD	700	CJ	750			
							N	AA	450	AC	450	AE	500	AG	550	AI	500	AO	550	AK	550	AM	550	CC	750					
							N	AB	450	AD	450	AF	500	AH	550	AJ	500	AP	550	AL	550	AN	550	CD	750					
							N	AA	600	AC	600	AE	650	AH	700	AJ	650	AP	750	AK	700	AM	750							
							N	AB	600	AD	600	AF	650	AH	700	AJ	650	AP	750	AK	700	AM	750							
							N	AA	300	AC	350	AE	350	AG	400	AI	400	AO	400	AK	400	AM	400	CC	600	CI	650			
							N	AB	300	AD	350	AF	350	AH	400	AJ	400	AP	400	AL	400	AN	400	CD	600	CJ	650			
							N	AA	400	AC	400	AE	450	AG	500	AI	450	AO	500	AK	450	AM	500	CC	650	CI	700			
							N	AB	400	AD	400	AF	450	AH	500	AJ	450	AP	500	AL	450	AN	500	CD	650	CJ	700			
							N	AA	250	AC	250	AE	300	AG	350	AI	300	AO	350	AK	350	AM	350	CC	1000					
							N	AB	250	AD	250	AF	300	AH	350	AJ	300	AP	350	AL	350	AN	350	CD	1000					
							N	AA	500	AC	700	AE	950																	
							N	AB	500	AD	700	AF	950																	
							N	AA	450	AC	500	AE	500	AG	550	AI	550	AO	550	AK	550	AM	550	CC	750	CI	800			
							N	AB	450	AD	500	AF	500	AH	550	AJ	550	AP	550	AL	550	AN	550	CD	750	CJ	800			
							N	AA	500	AC	500	AE	550	AG	600	AI	550	AO	600	AK	600	AM	600	CC	750	CI	850			
							N	AB	500	AD	500	AF	550	AH	600	AJ	550	AP	600	AL	600	AN	600	CD	750	CJ	850			
							N	AA	650	AC	700	AE	700	AG	750	AI	750	AO	750	AK	750	AM	750							
							N	AB	650	AD	700	AF	700	AH	750	AJ	750	AP	750	AL	750	AN	750							
							N	AA	350	AC	400	AE	450	AG	500	AI	450	AO	500	AK	450	AM	500	CC	650	CI	700			
							N	AB	350	AD	400	AF	450	AH	500	AJ	450	AP	500	AL	450	AN	500	CD	650	CJ	700			
							N	AA	450	AC	500	AE	500	AG	550	AI	550	AO	550	AK	550	AM	550	CC	700	CI	750			
							N	AB	450	AD	500	AF	500	AH	550	AJ	550	AP	550	AL	550	AN	550	CD	700	CJ	750			
							N	AA	400	AC	450	AE	450	AG	500	AI	500	AO	500	AK	500	AM	500							
							N	AB	400	AD	450	AF	450	AH	500	AJ	500	AP	500	AL	500	AN	500							
							N	AA	700	AC	900																			
							N	AB	700	AD	900																			
							N													BQ	?	BU	?	BY	?	CE	?			
							N													BR	?	BV	?	BZ	?	CF	?			
							N													BS	?	BW	?	CA	?	CG	?			
							N													BT	?	BX	?	CB	?	CH	?			
							N													AK	?	AM	?	CC	?	CI	?			
							N													AL	?	AN	?	CD	?	CJ	?			

Reminder: The Joystick control is not included in the UltraMount® FloStat® hydraulics box.
Please choose between the Joystick Control #56369 or the CabCommand #56462

DODGE

MODEL/ CHASSIS	YEAR	FOUR WHEEL DRIVE Vehicle Options				Plow Options (O) and Ballast Required (B)																														
		BODY STYLE	OTHER	ENGINE(S)	MIN FGAWR	HEAD LAMP	DRL ?	PLOW MODEL	S 7.5		SY 7.5		P 7.5		PY 7.5		P 8.0		PY 8.0		P 8.5		P 9.0		MVP 8.5		MVP 9.5									
									O	B	O	B	O	B	O	B	O	B	O	B	O	B	O	B	O	B	O	B	O	B						
RAM 3500 Pick-up 4x4 Bumper notching on SPORT required (Vehicles with cab lights also require kit # 61185)	2002	Reg Cab	8' Box Dual rear wheels Snowplow prep. package recommended	5.9L V8	5200	HB1	Y	989 UT														BQ	250	BU	250	BY	400	CE	450							
																											BR	250	BV	250	BZ	400	CF	450		
																												BS	250	BW	250	CA	400	CG	450	
						8.0L V10	5200		HB1	Y																										
						5.9L Diesel	5200		HB1	Y																										
			Quad Cab	8' Box Dual rear wheels Snowplow prep. package recommended	5.9L V8	5200	HB1	Y																												
							8.0L V10	5200	HB1	Y																										
					5.9L Diesel	5200	HB1	Y																												
	2001	2001	Reg Cab	8' Box Dual rear wheels Snowplow prep. package recommended	5.9L V8	4850	HB1	Y	989 UT																											
								8.0L V10		4850	HB1	Y																								
						5.9L Diesel	5200	HB1		Y																										
				Quad Cab	8' Box Dual rear wheels Snowplow prep. package recommended	5.9L V8	5200	HB1		Y																										
							8.0L V10	5200	HB1	Y																										
					5.9L Diesel	5200	HB1	Y																												
2000		2000	Reg Cab	8' Box Dual rear wheels Snowplow prep. package recommended	5.9L V8	4850	HB1	Y	989 UT																											
										8.0L V10	4850	HB1	Y																							
						5.9L Diesel	5200	HB1		Y																										
				Quad Cab	8' Box Dual rear wheels Snowplow prep. package recommended	5.9L V8	5200	HB1		Y																										
							8.0L V10	5200	HB1	Y																										
					5.9L Diesel	5200	HB1	Y																												

Reminder: The Joystick control is not included in the UltraMount® FloStat® hydraulics box.
Please choose between the Joystick Control #56369 or the CabCommand #56462

DODGE

FOUR WHEEL DRIVE Vehicle Options										Plow Options (O) and Ballast Required (B)																									
MODEL/ CHASSIS	YEAR	BODY STYLE	OTHER	ENGINE(S)	MIN FGAWR	HEAD LAMP	DRL ?	PLOW MODEL	S 7.5		SY 7.5		P 7.5		PY 7.5		P 8.0		PY 8.0		P 8.5		P 9.0		MVP 8.5		MVP 9.5								
									O	B	O	B	O	B	O	B	O	B	O	B	O	B	O	B	O	B	O	B	O	B	O	B			
RAM 3500 Pick-up 4x4 Bumper notching on SPORT required (Vehicles with cab lights also require kit # 61185) (continued)	1999	Reg Cab	8' Box Dual rear wheels Snowplow prep. package recommended	5.9L V8	4850	HB1	Y	989 UT														BQ	300	BU	350	BY	500	CE	550						
						N																				BR	300	BV	350	BZ	500	CF	550		
				HB5/HB1	Y																				BS	300	BW	350	CA	500	CG	550			
				N																					BT	300	BX	350	CB	500	CH	550			
				8.0L V10	4850	HB1	Y																		BQ	450	BU	450	BY	850					
				N																					BR	450	BV	450	BZ	850					
		HB5/HB1	Y																				BS	450	BW	450	CA	850							
		N																					BT	450	BX	450	CB	850							
		5.9L Diesel	4850	HB1	Y																			BQ	900	BU	1000								
		N																						BR	900	BV	1000								
		HB5/HB1	Y																					BS	900	BW	1000								
		N																						BT	900	BX	1000								
	Quad Cab	8' Box Dual rear wheels Snowplow prep. package recommended	5.9L V8	4850	HB1	Y																BQ	150	BU	200	BY	500	CE	850						
	N																							BR	150	BV	200	BZ	500	CF	850				
	HB5/HB1		Y																				BS	150	BW	200	CA	500	CG	850					
	N																						BT	150	BX	200	CB	500	CH	850					
	8.0L V10		4850	HB1	Y																		BQ	550	BU	700									
	N																							BR	550	BV	700								
	HB5/HB1	Y																				BS	550	BW	700										
	N																					BT	550	BX	700										
	1998	Reg Cab	8' Box Dual rear wheels Snowplow prep. package recommended	5.9L V8	4850	HB1	Y	989 UT															AK	300	AM	350	CC	500	CI	550					
	N																									AL	300	AN	350	CD	500	CJ	550		
	8.0L V10			4850	HB1	Y																			AK	450	AM	450	CC	850					
	N																								AL	450	AN	450	CD	850					
5.9L Diesel	4850			HB1	Y																			AK	900	AM	1000								
N																								AL	900	AN	1000								
Quad Cab	8' Box Dual rear wheels Snowplow prep. package recommended	5.9L V8	4850	HB1	Y																	AK	150	AM	200	CC	500	CI	850						
N																							AL	150	AN	200	CD	500	CJ	850					
8.0L V10		4850	HB1	Y																		AK	550	AM	700										
N																						AL	550	AN	700										
1997	Reg Cab	8' Box Dual rear wheels Snowplow prep. package recommended	5.9L V8	4850	HB1	Y	989 UT															AK	300	AM	350	CC	500	CI	550						
N																									AL	300	AN	350	CD	500	CJ	550			
8.0L V10			4850	HB1	Y																			AK	450	AM	450	CC	1000						
N																								AL	450	AN	450	CD	1000						
X-Cab	8' Box Dual rear wheels Snowplow prep. package recommended	5.9L V8	4850	HB1	Y																	AK	250	AM	250	CC	800								
N																							AL	250	AN	250	CD	800							
8.0L V10	4850	HB1	Y																			AK	550	AM	650										
N																						AL	550	AN	650										
1994-1996	Reg Cab	8' Box Dual rear wheels Snowplow prep. package recommended	5.9L V8	4850	HB1	Y	989 UT															AK	400	AM	400	CC	550	CI	600						
N																									AL	400	AN	400	CD	550	CJ	600			
8.0L V10			4850	HB1	Y																			AK	500	AM	550	CC	700	CI	1000				
N																								AL	500	AN	550	CD	700	CJ	1000				
5.9L Diesel			4850	HB1	Y																				AK	600	AM	600							
N																									AL	600	AN	600							
X-Cab	8' Box Dual rear wheels Snowplow prep. package recommended	5.9L V8	4850	HB1	Y																	AK	350	AM	350	CC	500	CI	800						
N																								AL	350	AN	350	CD	500	CJ	800				
8.0L V10	4850	HB1	Y																			AK	450	AM	500										
N																						AL	450	AN	500										
1999-2002	Chassis Cab 4x4 (Vehicles with cab lights also require kit # 61185)	Dual rear wheels Min. 8500 GVWR	All			HB1	Y	989 UT															BQ	?	BU	?	BY	?	CE	?					
N																											BR	?	BV	?	BZ	?	CF	?	
HB5/HB1						Y																						BS	?	BW	?	CA	?	CG	?
N																												BT	?	BX	?	CB	?	CH	?
1994-1998	Dual rear wheels Min. 8500 GVWR	All				HB1	Y	989 UT															AK	?	AM	?	CC	?	CI	?					
N																											AL	?	AN	?	CD	?	CJ	?	

Reminder: The Joystick control is not included in the UltraMount® FloStat® hydraulics box.
Please choose between the Joystick Control #56369 or the CabCommand #56462

DODGE (TWO WHEEL DRIVE)

TWO WHEEL DRIVE Vehicle Options										Plow Options (O) and Ballast Required (B)																													
MODEL/ CHASSIS	YEAR	BODY STYLE	OTHER	ENGINE(S)	MIN FGAWR	HEAD LAMP	DRL ?	PLOW MODEL	S 7.5		SY 7.5		P 7.5		PY 7.5		P 8.0		PY 8.0		P 8.5		P 9.0		MVP 8.5		MVP 9.5												
									O	B	O	B	O	B	O	B	O	B	O	B	O	B	O	B	O	B	O	B	O	B	O	B							
RAM 3500 Pick-up 2WD Bumper notching on SPORT required (Vehicles with cab lights also require kit # 61185)	2002	Reg Cab	8' Box Dual rear wheels Min. 10,000 lb. GVWR	5.9L V8	4500	HB1	Y	989 UT															BQ	150	BU	150	BY	350	CE	400									
																											BR	150	BV	150	BZ	350	CF	400					
						HB5/HB1	Y																					BS	150	BW	150	CA	350	CG	400				
																													BT	150	BX	150	CB	350	CH	400			
																													BQ	200	BU	300							
																													BR	200	BV	300							
		Quad Cab	8' Box Dual rear wheels Min. 10,000 lb. GVWR	5.9L V8	4500	HB1	Y																			BS	200	BW	300										
						HB5/HB1	Y																					BT	200	BX	300								
																													BQ	50	BU	100	BY	650	CE	950			
																													BR	50	BV	100	BZ	650	CF	950			
																														BS	50	BW	100	CA	650	CG	950		
																														BT	50	BX	100	CB	650	CH	950		
	2001	Reg Cab	8' Box Dual rear wheels Min. 10,000 lb. GVWR	5.9L V8	4500	HB1	Y	989 UT																	BQ	150	BU	150	BY	350	CE	400							
																												BR	150	BV	150	BZ	350	CF	400				
						HB5/HB1	Y																					BS	150	BW	150	CA	350	CG	400				
																													BT	150	BX	150	CB	350	CH	400			
																														BQ	250	BU	250	BY	1000				
																														BR	250	BV	250	BZ	1000				
		Quad Cab	8' Box Dual rear wheels Min. 10,000 lb. GVWR	5.9L V8	4500	HB1	Y																				BS	250	BW	250	CA	1000							
						HB5/HB1	Y																						BT	250	BX	250	CB	1000					
																														BQ	150	BU	150	BY	700				
																														BR	150	BV	150	BZ	700				
																															BS	150	BW	150	CA	700			
																															BT	150	BX	150	CB	700			
2000	Reg Cab	8' Box Dual rear wheels Min. 10,000 lb. GVWR	5.9L V8	4500	HB1	Y	989 UT																		BQ	150	BU	150	BY	350	CE	400							
																											BR	150	BV	150	BZ	350	CF	400					
					HB5/HB1	Y																						BS	150	BW	150	CA	350	CG	400				
																													BT	150	BX	150	CB	350	CH	400			
																														BQ	250	BU	250	BY	1000				
																														BR	250	BV	250	BZ	1000				
	Quad Cab	8' Box Dual rear wheels Min. 10,000 lb. GVWR	5.9L V8	4500	HB1	Y																				BS	250	BW	250	CA	1000								
					HB5/HB1	Y																						BT	250	BX	250	CB	1000						
																														BQ	150	BU	150	BY	700				
																														BR	150	BV	150	BZ	700				
																														BS	150	BW	150	CA	700				
																														BT	150	BX	150	CB	700				
1999	Reg Cab	8' Box Dual rear wheels Min. 10,000 lb. GVWR Snowplow prep. package recommended	5.9L V8	4500	HB1	Y	989 UT																		BQ	200	BU	200	BY	350	CE	400							
																												BR	200	BV	200	BZ	350	CF	400				
					HB5/HB1	Y																						BS	200	BW	200	CA	350	CG	400				
																													BT	200	BX	200	CB	350	CH	400			
																														BQ	100	BU	100	BY	450	CE	750		
																														BR	100	BV	100	BZ	450	CF	750		
			Quad Cab	8' Box Dual rear wheels Min. 10,000 lb. GVWR Snowplow prep. package recommended	5.9L V8	4500		HB1	Y																			BS	100	BW	100	CA	450	CG	750				
								HB5/HB1	Y																					BT	100	BX	100	CB	450	CH	750		
																																BQ	950						
																																BR	950						
																																BS	950						
																																BT	950						

Reminder: The Joystick control is not included in the UltraMount® FloStat® hydraulics box.
Please choose between the Joystick Control #56369 or the CabCommand #56462

DODGE (TWO WHEEL DRIVE)

MODEL/ CHASSIS	YEAR	TWO WHEEL DRIVE Vehicle Options				Plow Options (O) and Ballast Required (B)																									
		BODY STYLE	OTHER	ENGINE(S)	MIN FGAWR	HEAD LAMP	DRL ?	PLOW MODEL	S 7.5		SY 7.5		P 7.5		PY 7.5		P 8.0		PY 8.0		P 8.5		P 9.0		MVP 8.5		MVP 9.5				
									O	B	O	B	O	B	O	B	O	B	O	B	O	B	O	B	O	B	O	B	O	B	
RAM 3500 Pick-up 2WD Bumper notching on SPORT required (Vehicles with cab lights also require kit # 61185)	1998	Reg Cab	8' Box Dual rear wheels Min. 10,000 lb. GVWR Snowplow prep. package recommended	5.9L V8	4500	HB1	Y	989 UT													AK	200	AM	200	CC	350	CI	400			
					8.0L V10	4500	HB1		N	AL	200	AN	200	CD	350	CJ	400														
					5.9L Diesel	4500	HB1		N	AK	100	AM	100	CC	400	CI	750														
							AL		100	AN	100	CD	400	CJ	750																
							AK		950													AL	950								
							AL		950													AK	0	AM	50	CC	700				
		Quad Cab	8' Box Dual rear wheels Min. 10,000 lb. GVWR Snowplow prep. package recommended	5.9L V8	4500	HB1	Y														AL	0	AN	50	CD	700					
				8.0L V10	4500	HB1	N	AL	0	AN	50	CD	700								AK	0	AM	550							
								N	AL	400	AM	550										AL	400	AN	550						
		1997	Reg Cab	8' Box Dual rear wheels Min. 10,000 lb. GVWR Snowplow prep. package recommended	5.9L V8	4500	HB1	Y	989 UT													AK	200	AM	200	CC	350	CI	400		
					8.0L V10	4500	HB1	N		AL	200	AN	200	CD	350	CJ	400														
					5.9L Diesel	4500	HB1	N		AK	300	AM	350	CC	850									AL	300	AN	350	CD	850		
						Y	AK	750		AM	850										AL	750	AN	850							
						N	AK	150		AM	150	CC	700								AL	150	AN	150	CD	700					
						Y	AL	150		AN	150	CD	700								AK	450	AM	600							
					N	AL	450	AN	600																						
	1994-1996	Reg Cab	Dual rear wheels Min. 10,000 lb. GVWR Snowplow prep. package recommended	5.9L V8	4500	HB1	Y	989 UT													AK	300	AM	400							
N							AL		300	AN	400																				
	1999-2002		Dual rear wheels Min. 10,000 lb. GVWR	All		HB1	Y	989 UT													BQ	?	BU	?	BY	?	CE	?			
N							BR		?	BV	?	BZ	?	CF	?																
	1994-1998		Dual rear wheels Min. 10,000 lb. GVWR	All		HB1	Y	989 UT													BS	?	BW	?	CA	?	CG	?			
N							BT		?	BX	?	CB	?	CH	?																
							Y														AK	?	AM	?	CC	?	CI	?			
							N														AL	?	AN	?	CD	?	CJ	?			

Reminder: The Joystick control is not included in the UltraMount® FloStat® hydraulics box.
Please choose between the Joystick Control #56369 or the CabCommand #56462

DODGE

COMPLETE PLOW			COMPONENT NUMBERS							Remember: Control Choice
MODEL	OPTION	BLADE SIZE	MOUNT ASSEMBLY	BLADE ASSEMBLY	ATTACHMENT ASSEMBLY	HYDRAULIC ASSEMBLY	LAMP KIT	HARNESS KIT	DRL KIT	
959 UltraMount® Plow	AA	UTS 7.5	63760	60018	63560	56588	64078**	64053**	61584	Choose either: #56369 Joystick Or #56462 CabCommand
	AB	UTS 7.5	63760	60018	63560	56588	64078**	64053**	----	
	AC	UTSY 7.5	63760	62110	63560	56588	64078**	64053**	61584	
	AD	UTSY 7.5	63760	62110	63560	56588	64078**	64053**	----	
989 UltraMount® Plow	AA	UTS 7.5	67980	60018	63560	56588	61540-1	62525	61584	Choose either: #56369 Joystick Or #56462 CabCommand
	AB	UTS 7.5	67980	60018	63560	56588	61540-1	62525	----	
	AC	UTSY 7.5	67980	62110	63560	56588	61540-1	62525	61584	
	AD	UTSY 7.5	67980	62110	63560	56588	61540-1	62525	----	
	AE	UTP 7.5	67980	60381	66880	56588	61540-1	62525	61584	
	AF	UTP 7.5	67980	60381	66880	56588	61540-1	62525	----	
	AG	UTPY 7.5	67980	62400	66880	56588	61540-1	62525	61584	
	AH	UTPY 7.5	67980	62400	66880	56588	61540-1	62525	----	
	AI	UTP 8.0	67980	60390	66880	56588	61540-1	62525	61584	
	AJ	UTP 8.0	67980	60390	66880	56588	61540-1	62525	----	
	AK	UTP 8.5	67980	60308	66880	56588	61540-1	62525	61584	
	AL	UTP 8.5	67980	60308	66880	56588	61540-1	62525	----	
	AM	UTP 9.0	67980	60655	66880	56588	61540-1	62525	61584	
	AN	UTP 9.0	67980	60655	66880	56588	61540-1	62525	----	
	AO	UTPY 8.0	67980	62450	66880	56588	61540-1	62525	61584	
	AP	UTPY 8.0	67980	62450	66880	56588	61540-1	62525	----	
	AS	UTS 7.5	67980	60018	63560	56588	61550-1	63400	61584	
	AT	UTS 7.5	67980	60018	63560	56588	61540-1	62917	----	
	AU	UTS 7.5	67980	60018	63560	56588	61550-1	63404	61584	
	AV	UTS 7.5	67980	60018	63560	56588	61540-1	63396	----	
	AW	UTSY 7.5	67980	62110	63560	56588	61550-1	63400	61584	
	AX	UTSY 7.5	67980	62110	63560	56588	61540-1	62917	----	
	AY	UTSY 7.5	67980	62110	63560	56588	61550-1	63404	61584	
	AZ	UTSY 7.5	67980	62110	63560	56588	61540-1	63396	----	
	BA	UTP 7.5	67980	60381	66880	56588	61550-1	63400	61584	
	BB	UTP 7.5	67980	60381	66880	56588	61540-1	62917	----	
	BC	UTP 7.5	67980	60381	66880	56588	61550-1	63404	61584	
	BD	UTP 7.5	67980	60381	66880	56588	61540-1	63396	----	
	BE	UTPY 7.5	67980	62400	66880	56588	61550-1	63400	61584	
	BF	UTPY 7.5	67980	62400	66880	56588	61540-1	62917	----	
	BG	UTPY 7.5	67980	62400	66880	56588	61550-1	63404	61584	
	BH	UTPY 7.5	67980	62400	66880	56588	61540-1	63396	----	
BI	UTP 8.0	67980	60390	66880	56588	61550-1	63400	61584		
BJ	UTP 8.0	67980	60390	66880	56588	61540-1	62917	----		
BK	UTP 8.0	67980	60390	66880	56588	61550-1	63404	61584		
BL	UTP 8.0	67980	60390	66880	56588	61540-1	63396	----		
BM	UTPY 8.0	67980	62450	66880	56588	61550-1	63400	61584		
BN	UTPY 8.0	67980	62450	66880	56588	61540-1	62917	----		
BO	UTPY 8.0	67980	62450	66880	56588	61550-1	63404	61584		
BP	UTPY 8.0	67980	62450	66880	56588	61540-1	63396	----		
BQ	UTP 8.5	67980	60308	66880	56588	61550-1	63400	61584		
BR	UTP 8.5	67980	60308	66880	56588	61540-1	62917	----		
BS	UTP 8.5	67980	60308	66880	56588	61550-1	63404	61584		
BT	UTP 8.5	67980	60308	66880	56588	61540-1	63396	----		

** = FOR 2002 DODGE RAM 1500 ONLY; HARNESS KIT 63427, IF STOCK IS ON HAND, MAY BE USED ALONG WITH LAMP KIT 61540-1; OTHERWISE LISTED LAMP KIT & HARNESS KIT MUST BE ORDERED.

DODGE

COMPLETE PLOW			COMPONENT NUMBERS							Remember:
MODEL	OPTION	BLADE SIZE	MOUNT ASSEMBLY	BLADE ASSEMBLY	ATTACHMENT ASSEMBLY	HYDRAULIC ASSEMBLY	LAMP KIT	HARNESS KIT	DRL KIT	Control Choice
989 UltraMount® Plow (continued)	BU	UTP 9.0	67980	60655	66880	56588	61550-1	63400	61584	Choose either: #56369 Joystick Or #56462 CabCommand
	BV	UTP 9.0	67980	60655	66880	56588	61540-1	62917	----	
	BW	UTP 9.0	67980	60655	66880	56588	61550-1	63404	61584	
	BX	UTP 9.0	67980	60655	66880	56588	61540-1	63396	----	
	BY	MVP 8.5	67980	63819	56810	56777	61550-1	63402	61584	
	BZ	MVP 8.5	67980	63819	56810	56777	66640-2	62921	----	
	CA	MVP 8.5	67980	63819	56810	56777	61550-1	63406	61584	
	CB	MVP 8.5	67980	63819	56810	56777	66640-2	63398	----	
	CC	MVP 8.5	67980	63819	56810	56777	66640-2	62526	61584	
	CD	MVP 8.5	67980	63819	56810	56777	66640-2	62526	----	
	CE	MVP 9.5	67980	63808	56810	56777	61550-1	63402	61584	
	CF	MVP 9.5	67980	63808	56810	56777	66640-2	62921	----	
	CG	MVP 9.5	67980	63808	56810	56777	61550-1	63406	61584	
	CH	MVP 9.5	67980	63808	56810	56777	66640-2	63398	----	
CI	MVP 9.5	67980	63808	56810	56777	66640-2	62526	61584		
CJ	MVP 9.5	67980	63808	56810	56777	66640-2	62526	----		

FORD F-SUPER DUTY FRONT SPRING CODES (LOCATED ON LOWER RIGHT HAND CORNER OF DOOR STICKER)

A verification of the actual spring rating may be required on F-250/350/450/550 built to date. The FGAWR value may not be correct on the rating label located on the drivers side door cornerpost. To verify this, compare the **FIRST LETTER** of the spring code located on the lower right hand side of the rating label to the charts below to find the actual spring rating. Tires must be inflated to 65 psi for LT235 and 55 for LT265 to obtain proper tire capacity.

A vehicle certification label will have to be attached to the vehicles door cornerpost. Contact the National Truck-Equipment Association (N.T.E.A.) for information and certification labels. (800) 441-6832

Refer to service bulletin **SP716** for additional information.

Note: Trucks with sway bars may require the removal of the sway bar to clear certain plow mounts.

SUPER DUTY F-SERIES / MODEL	CODE	FGAWR
F-250-350 2WD	B	3200
	C	3350
	D	3500
	E	3650
	F	3800
	G	3950
	H	4100
	I	4250
	J	4400
	K	4550
	L	4700

SUPER DUTY F-SERIES / MODEL	CODE	FGAWR
F-250-350 4x4	R	3600
	S	4000
	T	4400
	U	4800
	V	5200
	*W	5600
	*X	6000

* These options provide a
MAXIMUM FGAWR of 5200.

SUPER DUTY F-SERIES / MODEL	CODE	FGAWR
F-450-550	W	5600
	X	6000

FORD

		FOUR WHEEL DRIVE Vehicle Options							Plow Options (O) and Ballast Required (B)																									
MODEL/ CHASSIS	YEAR	BODY STYLE	OTHER	ENGINE(S)	MIN FGAWR	HEAD LAMP	DRL ?	PLOW MODEL	S 7.5		SY 7.5		P 7.5		PY 7.5		P 8.0		PY 8.0		P 8.5		P 9.0		MVP 8.5		MVP 9.5							
									O	B	O	B	O	B	O	B	O	B	O	B	O	B	O	B	O	B	O	B						
Bronco 4x4	1992-1993		Front Air Bags Required	5.0L V8	3800	HB5	Y	1299 UT	AA	0	AC	50	AE	50	AG	100	AI	100	AO	100														
				5.8L V8	3800	HB5	Y		AB	0	AD	50	AF	50	AH	100	AJ	100	AP	100														
							N		AA	0	AC	50	AE	100			AI	100																
	1980-1991			Front Air Bags Required	4.9L I6	3800	HB1	Y	1349 UT	AA	0	AD	50	AG	50	AJ	100	AM	100	AP	100													
								N		AB	0	AE	50	AH	50	AK	100	AN	100	AQ	100													
								N		AC	0	AF	50	AI	50	AL	100	AO	100	AR	100													
					5.0L V8	3800	HB1	Y		AA	0	AD	0	AG	0	AJ	50	AM	50	AP	100													
								N		AB	0	AE	0	AH	0	AK	50	AN	50	AQ	100													
								N		AC	0	AF	0	AI	0	AL	50	AO	50	AR	100													
	2000				5.8L V8	3800	HB1	Y	1349 UT	AA	0	AD	50	AG	50	AJ	100	AM	100	AP	100													
								N		AB	0	AE	50	AH	50	AK	100	AN	100	AQ	100													
								N		AC	0	AF	50	AI	50	AL	100	AO	100	AR	100													
Excursion 4x4	2002			5.4L V8	4700	HB5	Y	3219 UT	AA	0	AE	0	AI	50	AM	250	AQ	150	AU	300	AY	200	BC	300										
				6.8L V10	4700	HB5	Y		AB	0	AF	0	AJ	50	AN	250	AR	150	AV	300	AZ	200	BD	300										
							N		AA	0	AE	50	AI	250			AQ	300																
	2001				5.4L V8	4700	HB5	Y	3219 UT	AA	0	AE	0	AI	0	AM	50	AQ	0	AU	100													
					6.8L V10	4700	HB5	Y		AB	0	AF	0	AJ	0	AN	50	AR	0	AV	100													
								N		AA	0	AE	50	AI	200			AQ	300															
2000				5.4L V8	4700	HB5	Y	3219 UT	AA	0	AE	0	AI	0	AM	50	AQ	0	AU	100														
				6.8L V10	4700	HB5	Y		AB	0	AF	0	AJ	0	AN	50	AR	0	AV	100														
							N		AA	0	AE	50	AI	200			AQ	300																
F-150 Pick-up 4X4 (May require bumper notching)	2002	Reg Cab	6.5' Box Min. GVWR 6300	5.4L V8	3600	HB5	Y	1229 UT	AA	750																								
							N		AB	750																								
				6.5' Box Min. GVWR 6250	4.6L V8	3600	HB5		Y	AA	600	AC	750																					
							N		AB	600	AD	750																						
				8.0' Box Min. GVWR 7700 Snowplow prep. package recommended	5.4L V8	4150	HB5		Y	AA	350	AC	400	AE	400	AG	450	AI	450	AO	450	AK	450	AM	450									
							N		AB	350	AD	400	AF	400	AH	450	AJ	450	AP	450	AL	450	AN	450										
		SuperCab	8.0' Box Min. GVWR 7700 Snowplow prep. package recommended	5.4L V8	4150	HB5	Y		AA	300	AC	350	AE	350	AG	400	AI	400	AO	400	AK	400	AM	400										
							N		AB	300	AD	350	AF	350	AH	400	AJ	400	AP	400	AL	400	AN	400										
							N																											
							N																											
							N																											
							N																											
	2001	Reg Cab	6.5' Box Min. GVWR 6300	6.5' Box Min. GVWR 6250	5.4L V8	3680	HB5	Y	1229 UT	AA	600																							
								N		AB	600																							
								N		AA	400	AC	500	AE	700																			
								N		AB	400	AD	500	AF	700																			
								N		AA	400	AC	600																					
								N		AB	400	AD	600																					
			6.5' Box Min. GVWR 6000	4.2L V6	3680	HB5	Y	AA		350	AC	400	AE	400			AI	500																
								N		AB	350	AD	400	AF	400				AJ	500														
								N		AA	350	AC	400	AE	500																			
					3660	HB5	Y	AA		350	AD	400	AF	500																				
								N		AB	350	AD	400	AF	500																			
								N		AA	400	AC	400																					
8.0' Box Min. GVWR 7700 Snowplow prep. package recommended	5.4L V8	4150	HB5	Y	AA	400	AD	400																										
					N	AB	400	AD	400																									
					N	AA	400	AC	500																									
		3660	HB5	Y	AA	400	AD	500																										
					N	AB	400	AD	500																									
					N	AA	350	AC	350	AE	400	AG	450	AI	400	AO	450	AK	450	AM	450													
SuperCab	6.5' Box Min. GVWR 7700 Snowplow prep. package recommended	5.4L V8	4150	HB5	Y	AA	300	AC	350	AE	350	AG	400	AI	400	AO	400	AK	400	AM	400													
						N	AB	300	AD	350	AF	350	AH	400	AJ	400	AP	400	AL	400	AN	400												
						N																												
						N																												
						N																												
						N																												
2000	Reg Cab	6.5' Box Min. GVWR 6300	6.5' Box Min. GVWR 6250	5.4L V8	3680	HB5	Y	1229 UT	AA	600																								
							N		AB	600																								
							N		AA	400	AC	500	AE	700																				
							N		AB	400	AD	500	AF	700																				
							N		AA	400	AC	600																						
							N		AB	400	AD	600																						

Reminder: The Joystick control is not included in the UltraMount® FloStat® hydraulics box.
Please choose between the Joystick Control #56369 or the CabCommand #56462

FORD

FOUR WHEEL DRIVE Vehicle Options				Plow Options (O) and Ballast Required (B)																								
MODEL/ CHASSIS	YEAR	BODY STYLE	OTHER	ENGINE(S)	MIN FGAWR	HEAD LAMP	DRL ?	PLOW MODEL	S 7.5		SY 7.5		P 7.5		PY 7.5		P 8.0		PY 8.0		P 8.5		P 9.0		MVP 8.5		MVP 9.5	
									O	B	O	B	O	B	O	B	O	B	O	B	O	B	O	B	O	B	O	B
F-250 Super Duty Pick-up 4x4 (Vehicles with cab lights also require kit # 61185) (1999-2001 See note on Spring Code and tire pressure on pg. 25)	2002	Reg Cab	8.0' Styleside Snowplow prep. package recommended	5.4L V8	4800	HB5	Y	3219 UT	AA	300	AE	350	AI	350	AM	400	AQ	400	AU	400	AY	400	BC	400	BG	700	BK	950
									AB	300	AF	350	AJ	350	AN	400	AR	400	AV	400	AZ	400	BD	400	BH	700	BL	950
									AC	300	AG	350	AK	350	AO	400	AS	400	AW	400	BA	400	BE	400	BI	700	BM	950
									AD	300	AH	350	AL	350	AP	400	AT	400	AX	400	BB	400	BF	400	BJ	700	BN	950
									AA	600	AE	750	AI	950														
					AB	600	AF		750	AJ	950																	
					AC	600	AG		750	AK	950																	
					AD	600	AH		750	AL	950																	
					AA	350	AE		400	AI	400	AM	450	AQ	450	AU	450	AY	450	BC	450							
					AB	350	AF		400	AJ	400	AN	450	AR	450	AV	450	AZ	450	BD	450							
				AC	350	AG	400		AK	400	AO	450	AS	450	AW	450	BA	450	BE	450								
				AD	350	AH	400		AL	400	AP	450	AT	450	AX	450	BB	450	BF	450								
				AA	500	AE	550		AI	600	AM	600	AQ	600	AU	600	AY	600	BC	650								
				AB	500	AF	550		AJ	600	AN	600	AR	600	AV	600	AZ	600	BD	650								
				AC	500	AG	550		AK	600	AO	600	AS	600	AW	600	BA	600	BE	650								
				AD	500	AH	550		AL	600	AP	600	AT	600	AX	600	BB	600	BF	650								
				AA	300	AE	300		AI	350	AM	400	AQ	350	AU	400	AY	400	BC	400	BG	950						
				AB	300	AF	300		AJ	350	AN	400	AR	350	AV	400	AZ	400	BD	400	BH	950						
				AC	300	AG	300		AK	350	AO	400	AS	350	AW	400	BA	400	BE	400	BI	950						
				AD	300	AH	300		AL	350	AP	400	AT	350	AX	400	BB	400	BF	400	BJ	950						
				AA	850																							
				AB	850																							
				AC	850																							
				AD	850																							
				AA	350	AE	400		AI	400	AM	500	AQ	450	AU	550	AY	500	BC	600								
				AB	350	AF	400		AJ	400	AN	500	AR	450	AV	550	AZ	500	BD	600								
				AC	350	AG	400		AK	400	AO	500	AS	450	AW	550	BA	500	BE	600								
				AD	350	AH	400		AL	400	AP	500	AT	450	AX	550	BB	500	BF	600								
				AA	500	AE	550		AI	550	AM	600	AQ	600	AU	650	AY	600	BC	650								
				AB	500	AF	550		AJ	550	AN	600	AR	600	AV	650	AZ	600	BD	650								
				AC	500	AG	550		AK	550	AO	600	AS	600	AW	650	BA	600	BE	650								
				AD	500	AH	550		AL	550	AP	600	AT	600	AX	650	BB	600	BF	650								
				AA	250	AE	300		AI	300	AM	350	AQ	350	AU	350	AY	350	BC	350	BG	500	BK	550				
				AB	250	AF	300		AJ	300	AN	350	AR	350	AV	350	AZ	350	BD	350	BH	500	BL	550				
				AC	250	AG	300		AK	300	AO	350	AS	350	AW	350	BA	350	BE	350	BI	500	BM	550				
				AD	250	AH	300		AL	300	AP	350	AT	350	AX	350	BB	350	BF	350	BJ	500	BN	550				
				AA	250	AE	300		AI	300	AM	400	AQ	350	AU	450	AY	400	BC	500								
				AB	250	AF	300		AJ	300	AN	400	AR	350	AV	450	AZ	400	BD	500								
				AC	250	AG	300		AK	300	AO	400	AS	350	AW	450	BA	400	BE	500								
				AD	250	AH	300		AL	300	AP	400	AT	350	AX	450	BB	400	BF	500								
				AA	300	AE	500		AI	700	AM	950	AQ	800	AU	950	AY	900	BC	1000								
				AB	300	AF	500		AJ	700	AN	950	AR	800	AV	950	AZ	900	BD	1000								
				AC	300	AG	500		AK	700	AO	950	AS	800	AW	950	BA	900	BE	1000								
				AD	300	AH	500		AL	700	AP	950	AT	800	AX	950	BB	900	BF	1000								
				AA	350	AE	350		AI	400	AM	400	AQ	400	AU	450	AY	400	BC	450	BG	600	BK	650				
				AB	350	AF	350		AJ	400	AN	400	AR	400	AV	450	AZ	400	BD	450	BH	600	BL	650				
				AC	350	AG	350		AK	400	AO	400	AS	400	AW	450	BA	400	BE	450	BI	600	BM	650				
				AD	350	AH	350		AL	400	AP	400	AT	400	AX	450	BB	400	BF	450	BJ	600	BN	650				
				AA	350	AE	500		AI	700	AM	950	AQ	800	AU	1000	AY	900	BC	1000								
				AB	350	AF	500		AJ	700	AN	950	AR	800	AV	1000	AZ	900	BD	1000								
		AC	350	AG	500	AK	700	AO	950	AS	800	AW	1000	BA	900	BE	1000											
		AD	350	AH	500	AL	700	AP	950	AT	800	AX	1000	BB	900	BF	1000											
		AA	850	AE	1000																							
		AB	850	AF	1000																							
		AC	850	AG	1000																							
		AD	850	AH	1000																							
		AA	500	AE	650	AI	850																					
		AB	500	AF	650	AJ	850																					
		AC	500	AG	650	AK	850																					
		AD	500	AH	650	AL	850																					

Reminder: The Joystick control is not included in the UltraMount® FloStat® hydraulics box.
Please choose between the Joystick Control #56369 or the CabCommand #56462

FORD

MODEL/ CHASSIS	YEAR	FOUR WHEEL DRIVE Vehicle Options				Plow Options (O) and Ballast Required (B)																									
		BODY STYLE	OTHER	ENGINE(S)	MIN FGAWR	HEAD LAMP	DRL ?	PLOW MODEL	S 7.5		SY 7.5		P 7.5		PY 7.5		P 8.0		PY 8.0		P 8.5		P 9.0		MVP 8.5		MVP 9.5				
									O	B	O	B	O	B	O	B	O	B	O	B	O	B	O	B	O	B	O	B	O	B	O
F-250 Super Duty Pick-up 4x4 (Vehicles with cab lights also require kit # 61185) (1999-2001 See note on Spring Code and tire pressure on pg. 25) (continued)	2002 (continued)	Crew Cab	7.0' Styleside Snowplow prep. package recommended	5.4L V8	5200	HB5	3219 UT	AA	250	AE	250	AI	300	AM	350	AQ	300	AU	350	AY	300	BC	350	BG	500	BK	550				
								AB	250	AF	250	AJ	300	AN	350	AR	300	AV	350	AZ	300	BD	350	BH	500	BL	550				
								AC	250	AG	250	AK	300	AO	350	AS	300	AW	350	BA	300	BE	350	BI	500	BM	550				
				AD	250	AH		250	AL	300	AP	350	AT	300	AX	350	BB	300	BF	350	BJ	500	BN	550							
				AA	250	AE		250	AI	300	AM	450	AQ	300	AU	450	AY	400	BC	500											
				AB	250	AF		250	AJ	300	AN	450	AR	300	AV	450	AZ	400	BD	500											
			AC	250	AG	250	AK	300	AO	450	AS	300	AW	450	BA	400	BE	500													
			AD	250	AH	250	AL	300	AP	450	AT	300	AX	450	BB	400	BF	500													
			AA	300	AE	300	AI	350	AM	400	AQ	350	AU	400	AY	400	BC	400	BG	550	BK	750									
			AB	300	AF	300	AJ	350	AN	400	AR	350	AV	400	AZ	400	BD	400	BH	550	BL	750									
			AC	300	AG	300	AK	350	AO	400	AS	350	AW	400	BA	400	BE	400	BI	550	BM	750									
			AD	300	AH	300	AL	350	AP	400	AT	350	AX	400	BB	400	BF	400	BJ	550	BN	750									
		AA	400	AE	600	AI	800	AM	1000	AQ	900			AY	1000																
		AB	400	AF	600	AJ	800	AN	1000	AR	900			AZ	1000																
		AC	400	AG	600	AK	800	AO	1000	AS	900			BA	1000																
		AD	400	AH	600	AL	800	AP	1000	AT	900			BB	1000																
		AA	500	AE	550	AI	550	AM	600	AQ	600	AU	650	AY	600	BC	650														
		AB	500	AF	550	AJ	550	AN	600	AR	600	AV	650	AZ	600	BD	650														
		AC	500	AG	550	AK	550	AO	600	AS	600	AW	650	BA	600	BE	650														
		AD	500	AH	550	AL	550	AP	600	AT	600	AX	650	BB	600	BF	650														
		AA	250	AE	250	AI	300	AM	350	AQ	300	AU	350	AY	350	BC	350	BG	500	BK	550										
		AB	250	AF	250	AJ	300	AN	350	AR	300	AV	350	AZ	350	BD	350	BH	500	BL	550										
		AC	250	AG	250	AK	300	AO	350	AS	300	AW	350	BA	350	BE	350	BI	500	BM	550										
		AD	250	AH	250	AL	300	AP	350	AT	300	AX	350	BB	350	BF	350	BJ	500	BN	550										
	AA	250	AE	400	AI	650	AM	900	AQ	750	AU	900	AY	850	BC	950															
	AB	250	AF	400	AJ	650	AN	900	AR	750	AV	900	AZ	850	BD	950															
	AC	250	AG	400	AK	650	AO	900	AS	750	AW	900	BA	850	BE	950															
	AD	250	AH	400	AL	650	AP	900	AT	750	AX	900	BB	850	BF	950															
	AA	300	AE	350	AI	350	AM	400	AQ	450	AU	400	AY	400	BC	400	BG	850													
	AB	300	AF	350	AJ	350	AN	400	AR	450	AV	400	AZ	400	BD	400	BH	850													
	AC	300	AG	350	AK	350	AO	400	AS	450	AW	400	BA	400	BE	400	BI	850													
	AD	300	AH	350	AL	350	AP	400	AT	450	AX	400	BB	400	BF	400	BJ	850													
	AA	850																													
	AB	850																													
	AC	850																													
	AD	850																													
	2001	Reg Cab	8.0' Styleside Snowplow prep. package recommended	5.4L V8	5200	HB5	3219 UT	AA	350	AE	400	AI	450	AM	450	AQ	450	AU	500	AY	450	BC	500	BG	650	BK	700				
								AB	350	AF	400	AJ	450	AN	450	AR	450	AV	500	AZ	450	BD	500	BH	650	BL	700				
								AC	350	AG	400	AK	450	AO	450	AS	450	AW	500	BA	450	BE	500	BI	650	BM	700				
				AD	350	AH		400	AL	450	AP	450	AT	450	AX	500	BB	450	BF	500	BJ	650	BN	700							
				AA	450	AE		600	AI	800			AQ	950			AY	1000													
				AB	450	AF		600	AJ	800			AR	950			AZ	1000													
			AC	450	AG	600	AK	800			AS	950			BA	1000															
			AD	450	AH	600	AL	800			AT	950			BB	1000															
			AA	450	AE	450	AI	500	AM	550	AQ	500	AU	550	AY	500	BC	550	BG	700	BK	750									
			AB	450	AF	450	AJ	500	AN	550	AR	500	AV	550	AZ	500	BD	550	BH	700	BL	750									
			AC	450	AG	450	AK	500	AO	550	AS	500	AW	550	BA	500	BE	550	BI	700	BM	750									
			AD	450	AH	450	AL	500	AP	550	AT	500	AX	550	BB	500	BF	550	BJ	700	BN	750									
AA		1000																													
AB		1000																													
AC		1000																													
AD		1000																													
AA		600	AE	650	AI	650	AM	700	AQ	650	AU	700	AY	700	BC	700															
AB		600	AF	650	AJ	650	AN	700	AR	650	AV	700	AZ	700	BD	700															
AC		600	AG	650	AK	650	AO	700	AS	650	AW	700	BA	700	BE	700															
AD		600	AH	650	AL	650	AP	700	AT	650	AX	700	BB	700	BF	700															

Reminder: The Joystick control is not included in the UltraMount® FloStat® hydraulics box.
Please choose between the Joystick Control #56369 or the CabCommand #56462

FORD

FOUR WHEEL DRIVE Vehicle Options										Plow Options (O) and Ballast Required (B)																							
MODEL/ CHASSIS	YEAR	BODY STYLE	OTHER	ENGINE(S)	MIN FGAWR	HEAD LAMP	DRL ?	PLOW MODEL	S 7.5		SY 7.5		P 7.5		PY 7.5		P 8.0		PY 8.0		P 8.5		P 9.0		MVP 8.5		MVP 9.5						
									O	B	O	B	O	B	O	B	O	B	O	B	O	B	O	B	O	B	O	B	O	B	O	B	O
F-250 Super Duty Pick-up 4x4 (Vehicles with cab lights also require kit # 61185) (1999-2001 See note on Spring Code and tire pressure on pg. 25) (continued)	2001 (continued)	SuperCab	7.0' Styleside Snowplow prep. package recommended	5.4L V8	5200	HB5	Y	3219 UT	AA	400	AE	400	AI	450	AM	500	AQ	450	AU	500	AY	450	BC	500	BG	650	BK	700					
							N		AB	400	AF	400	AJ	450	AN	500	AR	450	AV	500	AZ	450	BD	500	BH	650	BL	700					
							Y		AC	400	AG	400	AK	450	AO	500	AS	450	AW	500	BA	450	BE	500	BI	650	BM	700					
							N		AD	400	AH	400	AL	450	AP	500	AT	450	AX	500	BB	450	BF	500	BJ	650	BN	700					
							Y		AA	650	AE	850																					
							N		AB	650	AF	850																					
				Y	AC	650	AG		850																								
				N	AD	650	AH		850																								
				Y	AA	450	AE		450	AI	500	AM	550	AQ	500	AU	550	AY	550	BC	550	BG	700	BK	750								
				N	AB	450	AF		450	AJ	500	AN	550	AR	500	AV	550	AZ	550	BD	550	BH	700	BL	750								
				Y	AC	450	AG		450	AK	500	AO	550	AS	500	AW	550	BA	550	BE	550	BI	700	BM	750								
				N	AD	450	AH		450	AL	500	AP	550	AT	500	AX	550	BB	550	BF	550	BJ	700	BN	750								
			Y	AA	600	AE	650	AI	650	AM	700	AQ	700	AU	700	AY	700	BC	700														
			N	AB	600	AF	650	AJ	650	AN	700	AR	700	AV	700	AZ	700	BD	700														
			Y	AC	600	AG	650	AK	650	AO	700	AS	700	AW	700	BA	700	BE	700														
			N	AD	600	AH	650	AL	650	AP	700	AT	700	AX	700	BB	700	BF	700														
			Y	AA	350	AE	350	AI	400	AM	450	AQ	400	AU	450	AY	450	BC	450	BG	600	BK	650										
			N	AB	350	AF	350	AJ	400	AN	450	AR	400	AV	450	AZ	450	BD	450	BH	600	BL	650										
			Y	AC	350	AG	350	AK	400	AO	450	AS	400	AW	450	BA	450	BE	450	BI	600	BM	650										
			N	AD	350	AH	350	AL	400	AP	450	AT	400	AX	450	BB	450	BF	450	BJ	600	BN	650										
			Y	AA	350	AE	350	AI	400	AM	450	AQ	400	AU	450	AY	450	BC	450														
			N	AB	350	AF	350	AJ	400	AN	450	AR	400	AV	450	AZ	450	BD	450														
			Y	AC	350	AG	350	AK	400	AO	450	AS	400	AW	450	BA	450	BE	450														
			N	AD	350	AH	350	AL	400	AP	450	AT	400	AX	450	BB	450	BF	450														
		Y	AA	400	AE	450	AI	450	AM	500	AQ	500	AU	500	AY	500	BC	500	BG	650	BK	700											
		N	AB	400	AF	450	AJ	450	AN	500	AR	500	AV	500	AZ	500	BD	500	BH	650	BL	700											
		Y	AC	400	AG	450	AK	450	AO	500	AS	500	AW	500	BA	500	BE	500	BI	650	BM	700											
		N	AD	400	AH	450	AL	450	AP	500	AT	500	AX	500	BB	500	BF	500	BJ	650	BN	700											
		Y	AA	400	AE	450	AI	450	AM	500	AQ	500	AU	500	AY	500	BC	500															
		N	AB	400	AF	450	AJ	450	AN	500	AR	500	AV	500	AZ	500	BD	500															
		Y	AC	400	AG	450	AK	450	AO	500	AS	500	AW	500	BA	500	BE	500															
		N	AD	400	AH	450	AL	450	AP	500	AT	500	AX	500	BB	500	BF	500															
		Y	AA	400	AE	450	AI	450	AM	500	AQ	500	AU	500	AY	500	BC	500															
		N	AB	400	AF	450	AJ	450	AN	500	AR	500	AV	500	AZ	500	BD	500															
		Y	AC	400	AG	450	AK	450	AO	500	AS	500	AW	500	BA	500	BE	500															
		N	AD	400	AH	450	AL	450	AP	500	AT	500	AX	500	BB	500	BF	500															
		Y	AA	550	AE	600	AI	650	AM	900	AQ	750	AU	950	AY	850	BC	1000															
		N	AB	550	AF	600	AJ	650	AN	900	AR	750	AV	950	AZ	850	BD	1000															
		Y	AC	550	AG	600	AK	650	AO	900	AS	750	AW	950	BA	850	BE	1000															
		N	AD	550	AH	600	AL	650	AP	900	AT	750	AX	950	BB	850	BF	1000															
		Y	AA	300	AE	350	AI	350	AM	400	AQ	350	AU	400	AY	400	BC	400	BG	550	BK	600											
		N	AB	300	AF	350	AJ	350	AN	400	AR	350	AV	400	AZ	400	BD	400	BH	550	BL	600											
		Y	AC	300	AG	350	AK	350	AO	400	AS	350	AW	400	BA	400	BE	400	BI	550	BM	600											
		N	AD	300	AH	350	AL	350	AP	400	AT	350	AX	400	BB	400	BF	400	BJ	550	BN	600											
		Y	AA	300	AE	300	AI	350	AM	400	AQ	350	AU	400	AY	400	BC	400															
		N	AB	300	AF	300	AJ	350	AN	400	AR	350	AV	400	AZ	400	BD	400															
		Y	AC	300	AG	300	AK	350	AO	400	AS	350	AW	400	BA	400	BE	400															
		N	AD	300	AH	300	AL	350	AP	400	AT	350	AX	400	BB	400	BF	400															
Y	AA	350	AE	400	AI	400	AM	450	AQ	450	AU	450	AY	450	BC	450	BG	600	BK	650													
N	AB	350	AF	400	AJ	400	AN	450	AR	450	AV	450	AZ	450	BD	450	BH	600	BL	650													
Y	AC	350	AG	400	AK	400	AO	450	AS	450	AW	450	BA	450	BE	450	BI	600	BM	650													
N	AD	350	AH	400	AL	400	AP	450	AT	450	AX	450	BB	450	BF	450	BJ	600	BN	650													
Y	AA	350	AE	400	AI	600	AM	850	AQ	700	AU	900	AY	800	BC	950																	
N	AB	350	AF	400	AJ	600	AN	850	AR	700	AV	900	AZ	800	BD	950																	
Y	AC	350	AG	400	AK	600	AO	850	AS	700	AW	900	BA	800	BE	950																	
N	AD	350	AH	400	AL	600	AP	850	AT	700	AX	900	BB	800	BF	950																	
Y	AA	500	AE	550	AI	750	AM	1000	AQ	850			AY	950																			
N	AB	500	AF	550	AJ	750	AN	1000	AR	850			AZ	950																			
Y	AC	500	AG	550	AK	750	AO	1000	AS	850			BA	950																			
N	AD	500	AH	550	AL	750	AP	1000	AT	850			BB	950																			
Y	AA	300	AE	350	AI	350	AM	400	AQ	400	AU	400	AY	400	BC	400	BG	550	BK	600													
N	AB	300	AF	350	AJ	350	AN	400	AR	400	AV	400	AZ	400	BD	400	BH	550	BL	600													
Y	AC	300	AG	350	AK	350	AO	400	AS	400	AW	400	BA	400	BE	400	BI	550	BM	600													
N	AD	300	AH	350	AL	350	AP	400	AT	400	AX	400	BB	400	BF	400	BJ	550	BN	600													
Y	AA	300	AE	350	AI	400	AM	650	AQ	500	AU	700	AY	600	BC	750																	
N	AB	300	AF	350	AJ	400	AN	650	AR	500	AV	700	AZ	600	BD	750																	
Y	AC	300	AG	350	AK	400	AO	650	AS	500	AW	700	BA	600	BE	750																	
N	AD	300	AH	350	AL	400	AP	650	AT	500	AX	700	BB	600	BF	750																	

Reminder: The Joystick control is not included in the UltraMount® FloStat® hydraulics box.

Please choose between the Joystick Control #56369 or the CabCommand #56462

FORD

MODEL/ CHASSIS	YEAR	FOUR WHEEL DRIVE Vehicle Options				MIN FGAWR	HEAD LAMP	DRL ?	PLOW MODEL	Plow Options (O) and Ballast Required (B)																					
		BODY STYLE	OTHER	ENGINE(S)	S 7.5					SY 7.5		P 7.5		PY 7.5		P 8.0		PY 8.0		P 8.5		P 9.0		MVP 8.5		MVP 9.5					
					O					B	O	B	O	B	O	B	O	B	O	B	O	B	O	B	O	B	O	B			
F-250 Super Duty Pick-up 4x4 (Vehicles with cab lights also require kit # 61185) (1999-2001 See note on Spring Code and tire pressure on pg. 25) (continued)	2001 (continued)	Crew Cab (continued)	8.0' Styleside Snowplow prep. package recommended (continued)	6.8L V10	5200	HB5	Y	3219 UT	AA	350	AE	400	AI	450	AM	450	AQ	450	AU	450	AY	450	BC	450	BG	650	BK	1000			
						N	AB		350	AF	400	AJ	450	AN	450	AR	450	AV	450	AZ	450	BD	450	BH	650	BL	1000				
						Y	AC		350	AG	400	AK	450	AO	450	AS	450	AW	450	BA	450	BE	450	BI	650	BM	1000				
				N	AD	350	AH		400	AL	450	AP	450	AT	450	AX	450	BB	450	BF	450	BJ	650	BN	1000						
				Y	AA	650	AE		850																						
				N	AB	650	AF		850																						
	7.3L Diesel	5200	HB5	Y	AA	850																									
			N	AB	850																										
			Y	AC	850	AG	850																								
		N	AD	850	AH	850																									
		Y	AA	850																											
		N	AB	850																											
2000	Reg Cab	8.0' Styleside	5.4L V8	5200	HB5	Y	3219 UT	AA	350	AE	400	AI	450	AM	450	AQ	450	AU	500	AY	450	BC	500	BG	650	BK	700				
					N	AB		350	AF	400	AJ	450	AN	450	AR	450	AV	500	AZ	450	BD	500	BH	650	BL	700					
					Y	AC		350	AG	400	AK	450	AO	450	AS	450	AW	500	BA	450	BE	500	BI	650	BM	700					
					N	AD		350	AH	400	AL	450	AP	450	AT	450	AX	500	BB	450	BF	500	BJ	650	BN	700					
					Y	AA		450	AE	600	AI	800																			
					N	AB		450	AF	600	AJ	800																			
				4400	HB5	Y		AC	450	AG	600	AK	800																		
					N	AD		450	AH	600	AL	800																			
					Y	AA		450	AE	600	AI	800																			
					N	AB		450	AF	600	AJ	800																			
					Y	AC		450	AG	600	AK	800																			
					N	AD		450	AH	600	AL	800																			
			6.8L V10	5200	HB5	Y		AA	450	AE	450	AI	500	AM	550	AQ	500	AU	550	AY	500	BC	550	BG	700	BK	750				
					N	AB		450	AF	450	AJ	500	AN	550	AR	500	AV	550	AZ	500	BD	550	BH	700	BL	750					
					Y	AC		450	AG	450	AK	500	AO	550	AS	500	AW	550	BA	500	BE	550	BI	700	BM	750					
					N	AD		450	AH	450	AL	500	AP	550	AT	500	AX	550	BB	500	BF	550	BJ	700	BN	750					
					Y	AA		1000																							
					N	AB		1000																							
				4400	HB5	Y		AC	1000																						
					N	AD		1000																							
					Y	AA		600	AE	650	AI	650	AM	700	AQ	650	AU	700	AY	700	BC	700									
					N	AB		600	AF	650	AJ	650	AN	700	AR	650	AV	700	AZ	700	BD	700									
					Y	AC		600	AG	650	AK	650	AO	700	AS	650	AW	700	BA	700	BE	700									
					N	AD		600	AH	650	AL	650	AP	700	AT	650	AX	700	BB	700	BF	700									
	7.3L Diesel	5200	HB5	Y	AA	400		AE	400	AI	450	AM	500	AQ	450	AU	500	AY	450	BC	500	BG	650	BK	700						
			N	AB	400	AF		400	AJ	450	AN	500	AR	450	AV	500	AZ	450	BD	500	BH	650	BL	700							
			Y	AC	400	AG		400	AK	450	AO	500	AS	450	AW	500	BA	450	BE	500	BI	650	BM	700							
			N	AD	400	AH		400	AL	450	AP	500	AT	450	AX	500	BB	450	BF	500	BJ	650	BN	700							
			Y	AA	600	AE		650	AI	650	AM	700	AQ	650	AU	700	AY	700	BC	700											
			N	AB	600	AF		650	AJ	650	AN	700	AR	650	AV	700	AZ	700	BD	700											
		4400	HB5	Y	AC	600		AG	650	AK	650	AO	700	AS	650	AW	700	BA	700	BE	700										
			N	AD	600	AH		650	AL	650	AP	700	AT	650	AX	700	BB	700	BF	700											
			Y	AA	600	AE		850																							
			N	AB	600	AF		850																							
			Y	AC	600	AG		850																							
			N	AD	600	AH		850																							
	SuperCab	7.0' Styleside	5.4L V8	5200	HB5	Y		3219 UT	AA	400	AE	400	AI	450	AM	500	AQ	450	AU	500	AY	450	BC	500	BG	650	BK	700			
					N	AB			400	AF	400	AJ	450	AN	500	AR	450	AV	500	AZ	450	BD	500	BH	650	BL	700				
					Y	AC			400	AG	400	AK	450	AO	500	AS	450	AW	500	BA	450	BE	500	BI	650	BM	700				
					N	AD			400	AH	400	AL	450	AP	500	AT	450	AX	500	BB	450	BF	500	BJ	650	BN	700				
					Y	AA			650	AE	850																				
					N	AB			650	AF	850																				
			4400	HB5	Y	AC			650	AG	850																				
				N	AD	650			AH	850																					
				Y	AA	450			AE	450	AI	500	AM	550	AQ	500	AU	550	AY	550	BC	550	BG	700	BK	750					
				N	AB	450			AF	450	AJ	500	AN	550	AR	500	AV	550	AZ	550	BD	550	BH	700	BL	750					
				Y	AC	450			AG	450	AK	500	AO	550	AS	500	AW	550	BA	550	BE	550	BI	700	BM	750					
				N	AD	450			AH	450	AL	500	AP	550	AT	500	AX	550	BB	550	BF	550	BJ	700	BN	750					
8.0' Styleside		5.4L V8	5200	HB5	Y	3219 UT	AA		350	AE	350	AI	400	AM	450	AQ	450	AU	450	AY	450	BC	450	BG	600	BK	650				
				N	AB		350		AF	350	AJ	400	AN	450	AR	450	AV	450	AZ	450	BD	450	BH	600	BL	650					
				Y	AC		350		AG	350	AK	400	AO	450	AS	450	AW	450	BA	450	BE	450	BI	600	BM	650					
				N	AD		350		AH	350	AL	400	AP	450	AT	450	AX	450	BB	450	BF	450	BJ	600	BN	650					
				Y	AA		350		AE	350	AI	400	AM	450	AQ	400	AU	450	AY	450	BC	450									
				N	AB		350		AF	350	AJ	400	AN	450	AR	400	AV	450	AZ	450	BD	450									
		4800	HB5	Y	AC		350		AG	350	AK	400	AO	450	AS	450	AW	450	BA	450	BE	450									
			N	AD	350		AH		350	AL	400	AP	450	AT	450	AX	450	BB	450	BF	450										
			Y	AA	350		AE		350	AI	400	AM	450	AQ	400	AU	45														

FORD

FOUR WHEEL DRIVE Vehicle Options										Plow Options (O) and Ballast Required (B)																										
MODEL/ CHASSIS	YEAR	BODY STYLE	OTHER	ENGINE(S)	MIN FGAWR	HEAD LAMP	DRL ?	PLOW MODEL	S 7.5		SY 7.5		P 7.5		PY 7.5		P 8.0		PY 8.0		P 8.5		P 9.0		MVP 8.5		MVP 9.5									
									O	B	O	B	O	B	O	B	O	B	O	B	O	B	O	B	O	B	O	B	O	B	O	B	O	B		
F-250 Super Duty Pick-up 4x4 (Vehicles with cab lights also require kit # 61185) (1999-2001 See note on Spring Code and tire pressure on pg. 25) (continued)	2000 (continued)	Crew Cab	7.0' Styleside	5.4L V8	5200	HB5	Y	3219 UT	AA	300	AE	350	AI	350	AM	400	AQ	350	AU	400	AY	400	BC	400	BG	550	BK	600								
							N		AB	300	AF	350	AJ	350	AN	400	AR	350	AV	400	AZ	400	BD	400	BH	550	BL	600								
							Y		AC	300	AG	350	AK	350	AO	400	AS	350	AW	400	BA	400	BE	400	BI	550	BM	600								
						N	AD		300	AH	350	AL	350	AP	400	AT	350	AX	400	BB	400	BF	400	BJ	550	BN	600									
						Y	AA		300	AE	300	AI	350	AM	400	AQ	350	AU	400	AY	400	BC	400													
						N	AB		300	AF	300	AJ	350	AN	400	AR	350	AV	400	AZ	400	BD	400													
					Y	AC	300		AG	300	AK	350	AO	400	AS	350	AW	400	BA	400	BE	400														
					N	AD	300		AH	300	AL	350	AP	400	AT	350	AX	400	BB	400	BF	400														
					Y	AA	350		AE	400	AI	400	AM	450	AQ	450	AU	450	AY	450	BC	450						BG	600	BK	650					
					N	AB	350		AF	400	AJ	400	AN	450	AR	450	AV	450	AZ	450	BD	450						BH	600	BL	650					
					Y	AC	350		AG	400	AK	400	AO	450	AS	450	AW	450	BA	450	BE	450						BI	600	BM	650					
					N	AD	350		AH	400	AL	400	AP	450	AT	450	AX	450	BB	450	BF	450						BJ	600	BN	650					
				Y	AA	350	AE		400	AI	600	AM	850	AQ	700	AU	900	AY	800	BC	950															
				N	AB	350	AF		400	AJ	600	AN	850	AR	700	AV	900	AZ	800	BD	950															
				Y	AC	350	AG		400	AK	600	AO	850	AS	700	AW	900	BA	800	BE	950															
				N	AD	350	AH		400	AL	600	AP	850	AT	700	AX	900	BB	800	BF	950															
				Y	AA	500	AE		550	AI	750	AM	1000	AQ	850																					
				N	AB	500	AF		550	AJ	750	AN	1000	AR	850																					
				Y	AC	500	AG		550	AK	750	AO	1000	AS	850																					
				N	AD	500	AH		550	AL	750	AP	1000	AT	850																					
				Y	AA	300	AE		350	AI	350	AM	400	AQ	400	AU	400	AY	400	BC	400						BG	550	BK	600						
				N	AB	300	AF		350	AJ	350	AN	400	AR	400	AV	400	AZ	400	BD	400						BH	550	BL	600						
				Y	AC	300	AG		350	AK	350	AO	400	AS	400	AW	400	BA	400	BE	400						BI	550	BM	600						
				N	AD	300	AH		350	AL	350	AP	400	AT	400	AX	400	BB	400	BF	400						BJ	550	BN	600						
			Y	AA	300	AE	350		AI	400	AM	650	AQ	500	AU	700	AY	600	BC	750																
			N	AB	300	AF	350		AJ	400	AN	650	AR	500	AV	700	AZ	600	BD	750																
			Y	AC	300	AG	350		AK	400	AO	650	AS	500	AW	700	BA	600	BE	750																
			N	AD	300	AH	350		AL	400	AP	650	AT	500	AX	700	BB	600	BF	750																
			Y	AA	350	AE	400		AI	450	AM	450	AQ	450	AU	450	AY	450	BC	450						BG	650	BK	1000							
			N	AB	350	AF	400		AJ	450	AN	450	AR	450	AV	450	AZ	450	BD	450						BH	650	BL	1000							
			Y	AC	350	AG	400		AK	450	AO	450	AS	450	AW	450	BA	450	BE	450						BI	650	BM	1000							
			N	AD	350	AH	400		AL	450	AP	450	AT	450	AX	450	BB	450	BF	450						BJ	650	BN	1000							
			Y	AA	650	AE	850																													
			N	AB	650	AF	850																													
			Y	AC	650	AG	850																													
			N	AD	650	AH	850																													
			1999	Reg Cab	8.0' Styleside Snowplow prep. package recommended	5.4L V8	5200		4800	HB5	Y	3219 UT	AA	300	AE	300	AI	350	AM	400	AQ	350	AU	400	AY	400	BC	400	BG	550	BK	600				
											N		AB	300	AF	300	AJ	350	AN	400	AR	350	AV	400	AZ	400	BD	400	BH	550	BL	600				
											Y		AC	300	AG	300	AK	350	AO	400	AS	350	AW	400	BA	400	BE	400	BI	550	BM	600				
										N	AD		300	AH	300	AL	350	AP	400	AT	350	AX	400	BB	400	BF	400	BJ	550	BN	600					
										Y	AA		300	AE	350	AI	350	AM	400	AQ	400	AU	400	AY	400	BC	400									
										N	AB		300	AF	350	AJ	350	AN	400	AR	400	AV	400	AZ	400	BD	400									
									Y	AC	300		AG	350	AK	350	AO	400	AS	400	AW	400	BA	400	BE	400										
									N	AD	300		AH	350	AL	350	AP	400	AT	400	AX	400	BB	400	BF	400										
									Y	AA	300		AE	350	AI	550	AM	800	AQ	650	AU	800	AY	750	BC	850										
									N	AB	300		AF	350	AJ	550	AN	800	AR	650	AV	800	AZ	750	BD	850										
									Y	AC	300		AG	350	AK	550	AO	800	AS	650	AW	800	BA	750	BE	850										
									N	AD	300		AH	350	AL	550	AP	800	AT	650	AX	800	BB	750	BF	850										
Y	AA	350					AE	350	AI	400	AM		450	AQ	400	AU	450	AY	400	BC	450						BG	600	BK	650						
N	AB	350					AF	350	AJ	400	AN		450	AR	400	AV	450	AZ	400	BD	450						BH	600	BL	650						
Y	AC	350					AG	350	AK	400	AO		450	AS	400	AW	450	BA	400	BE	450						BI	600	BM	650						
N	AD	350					AH	350	AL	400	AP		450	AT	400	AX	450	BB	400	BF	450						BJ	600	BN	650						
Y	AA	350					AE	400	AI	400	AM		450	AQ	450	AU	450	AY	450	BC	450						BG	600	BK	900						
N	AB	350					AF	400	AJ	400	AN		450	AR	450	AV	450	AZ	450	BD	450						BH	600	BL	900						
Y	AC	350					AG	400	AK	400	AO		450	AS	450	AW	450	BA	450	BE	450						BI	600	BM	900						
N	AD	350					AH	400	AL	400	AP		450	AT	450	AX	450	BB	450	BF	450						BJ	600	BN	900						
Y	AA	550					AE	750	AI	950																										
N	AB	550					AF	750	AJ	950																										
Y	AC	550					AG	750	AK	950																										
N	AD	550					AH	750	AL	950																										
Y	AA	500				AE	500	AI	550	AM	600		AQ	550	AU	600	AY	600	BC	600						BG	750									
N	AB	500				AF	500	AJ	550	AN	600		AR	550	AV	600	AZ	600	BD	600						BH	750									
Y	AC	500				AG	500	AK	550	AO	600																									

FORD

MODEL/ CHASSIS	YEAR	FOUR WHEEL DRIVE Vehicle Options				Plow Options (O) and Ballast Required (B)																						
		BODY STYLE	OTHER	ENGINE(S)	MIN FGAWR	HEAD LAMP	DRL ?	PLOW MODEL	S 7.5		SY 7.5		P 7.5		PY 7.5		P 8.0		PY 8.0		P 8.5		P 9.0		MVP 8.5		MVP 9.5	
									O	B	O	B	O	B	O	B	O	B	O	B	O	B	O	B	O	B	O	B
F-250 Super Duty Pick-up 4x4 (Vehicles with cab lights also require kit # 61185) (1999-2001 See note on Spring Code and tire pressure on pg. 25) (continued)	1999 (continued)	X-Cab	7.0' Styleside Snowplow prep. package recommended	5.4L V8	5200	HB5	Y	3219 UT	AA	300	AE	350	AI	350	AM	400	AQ	400	AU	400	AY	400	BC	400	BG	550	BK	600
									AB	300	AF	350	AJ	350	AN	400	AR	400	AV	400	AZ	400	BD	400	BH	550	BL	600
									AC	300	AG	350	AK	350	AO	400	AS	400	AW	400	BA	400	BE	400	BI	550	BM	600
									AD	300	AH	350	AL	350	AP	400	AT	400	AX	400	BB	400	BF	400	BJ	550	BN	600
									AA	300	AE	350	AI	400	AM	450	AQ	400	AU	450	AY	400	BC	450	BG	750		
					AB	300	AF	350	AJ	400	AN	450	AR	400	AV	450	AZ	400	BD	450	BH	750						
					AC	300	AG	350	AK	400	AO	450	AS	400	AW	450	BA	400	BE	450	BI	750						
					AD	300	AH	350	AL	400	AP	450	AT	400	AX	450	BB	400	BF	450	BJ	750						
					AA	700	AE	900																				
					AB	700	AF	900																				
				AC	700	AG	900																					
				AD	700	AH	900																					
				AA	350	AE	350	AI	400	AM	450	AQ	400	AU	450	AY	450	BC	450	BG	600	BK	650					
				AB	350	AF	350	AJ	400	AN	450	AR	400	AV	450	AZ	450	BD	450	BH	600	BL	650					
				AC	350	AG	350	AK	400	AO	450	AS	400	AW	450	BA	450	BE	450	BI	600	BM	650					
				AD	350	AH	350	AL	400	AP	450	AT	400	AX	450	BB	450	BF	450	BJ	600	BN	650					
				AA	350	AE	400	AI	450	AM	450	AQ	450	AU	450	AY	450	BC	500									
				AB	350	AF	400	AJ	450	AN	450	AR	450	AV	450	AZ	450	BD	500									
				AC	350	AG	400	AK	450	AO	450	AS	450	AW	450	BA	450	BE	500									
				AD	350	AH	400	AL	450	AP	450	AT	450	AX	450	BB	450	BF	500									
				AA	500	AE	550	AI	550	AM	600	AQ	600	AU	600	AY	600	BC	600									
				AB	500	AF	550	AJ	550	AN	600	AR	600	AV	600	AZ	600	BD	600									
				AC	500	AG	550	AK	550	AO	600	AS	600	AW	600	BA	600	BE	600									
				AD	500	AH	550	AL	550	AP	600	AT	600	AX	600	BB	600	BF	600									
				AA	300	AE	300	AI	350	AM	400	AQ	350	AU	400	AY	350	BC	400	BG	550	BK	600					
				AB	300	AF	300	AJ	350	AN	400	AR	350	AV	400	AZ	350	BD	400	BH	550	BL	600					
				AC	300	AG	300	AK	350	AO	400	AS	350	AW	400	BA	350	BE	400	BI	550	BM	600					
				AD	300	AH	300	AL	350	AP	400	AT	350	AX	400	BB	350	BF	400	BJ	550	BN	600					
				AA	300	AE	350	AI	350	AM	400	AQ	400	AU	400	AY	400	BC	400	BG	900							
				AB	300	AF	350	AJ	350	AN	400	AR	400	AV	400	AZ	400	BD	400	BH	900							
				AC	300	AG	350	AK	350	AO	400	AS	400	AW	400	BA	400	BE	400	BI	900							
				AD	300	AH	350	AL	350	AP	400	AT	400	AX	400	BB	400	BF	400	BJ	900							
				AA	900																							
				AB	900																							
				AC	900																							
				AD	900																							
				AA	300	AE	350	AI	400	AM	400	AQ	400	AU	400	AY	400	BC	450	BG	600	BK	650					
				AB	300	AF	350	AJ	400	AN	400	AR	400	AV	400	AZ	400	BD	450	BH	600	BL	650					
				AC	300	AG	350	AK	400	AO	400	AS	400	AW	400	BA	400	BE	450	BI	600	BM	650					
				AD	300	AH	350	AL	400	AP	400	AT	400	AX	400	BB	400	BF	450	BJ	600	BN	650					
				AA	350	AE	350	AI	400	AM	450	AQ	400	AU	450	AY	450	BC	450									
				AB	350	AF	350	AJ	400	AN	450	AR	400	AV	450	AZ	450	BD	450									
				AC	350	AG	350	AK	400	AO	450	AS	400	AW	450	BA	450	BE	450									
				AD	350	AH	350	AL	400	AP	450	AT	400	AX	450	BB	450	BF	450									
				AA	500	AE	500	AI	550	AM	600	AQ	550	AU	600	AY	600	BC	600									
				AB	500	AF	500	AJ	550	AN	600	AR	550	AV	600	AZ	600	BD	600									
				AC	500	AG	500	AK	550	AO	600	AS	550	AW	600	BA	600	BE	600									
				AD	500	AH	500	AL	550	AP	600	AT	550	AX	600	BB	600	BF	600									
				AA	300	AE	300	AI	350	AM	400	AQ	350	AU	400	AY	350	BC	400	BG	550	BK	600					
				AB	300	AF	300	AJ	350	AN	400	AR	350	AV	400	AZ	350	BD	400	BH	550	BL	600					
		AC	300	AG	300	AK	350	AO	400	AS	350	AW	400	BA	350	BE	400	BI	550	BM	600							
		AD	300	AH	300	AL	350	AP	400	AT	350	AX	400	BB	350	BF	400	BJ	550	BN	600							
		AA	300	AE	350	AI	350	AM	400	AQ	400	AU	400	AY	400	BC	450											
		AB	300	AF	350	AJ	350	AN	400	AR	400	AV	400	AZ	400	BD	450											
		AC	300	AG	350	AK	350	AO	400	AS	400	AW	400	BA	400	BE	450											
		AD	300	AH	350	AL	350	AP	400	AT	400	AX	400	BB	400	BF	450											
		AA	300	AE	350	AI	400	AM	400	AQ	400	AU	400	AY	400	BC	450	BG	600	BK	650							
		AB	300	AF	350	AJ	400	AN	400	AR	400	AV	400	AZ	400	BD	450	BH	600	BL	650							
		AC	300	AG	350	AK	400	AO	400	AS	400	AW	400	BA	400	BE	450	BI	600	BM	650							
		AD	300	AH	350	AL	400	AP	400	AT	400	AX	400	BB	400	BF	450	BJ	600	BN	650							
		AA	350	AE	350	AI	500	AM	800	AQ	650	AU	850	AY	750	BC	850											
		AB	350	AF	350	AJ	500	AN	800	AR	650	AV	850	AZ	750	BD	850											
		AC	350	AG	350	AK	500	AO	800	AS	650	AW	850	BA	750	BE	850											
		AD	350	AH	350	AL	500	AP	800	AT	650	AX	850	BB	750	BF	850											
		AA	500	AE	500	AI	650	AM	950	AQ	750	AU	950	AY	900													
		AB	500	AF	500	AJ	650	AN	950	AR	750	AV	950	AZ	900													
		AC	500	AG	500	AK	650	AO	950	AS	750	AW	950	BA	900													
		AD	500	AH	500	AL	650	AP	950	AT	750	AX	950	BB	900													

Reminder: The Joystick control is not included in the UltraMount® FloStat® hydraulics box.
Please choose between the Joystick Control #56369 or the CabCommand #56462

FORD

MODEL/ CHASSIS	YEAR	FOUR WHEEL DRIVE Vehicle Options							Plow Options (O) and Ballast Required (B)																											
		BODY STYLE	OTHER	ENGINE(S)	MIN FGAWR	HEAD LAMP	DRL ?	PLOW MODEL	S 7.5		SY 7.5		P 7.5		PY 7.5		P 8.0		PY 8.0		P 8.5		P 9.0		MVP 8.5		MVP 9.5									
									O	B	O	B	O	B	O	B	O	B	O	B	O	B	O	B	O	B	O	B	O	B	O	B				
F-250 Super Duty Pick-up 4x4 (Vehicles with cab lights also require kit # 61185) (1999-2001 See note on Spring Code and tire pressure on pg. 25) (continued)	1999 (continued)	Crew Cab (continued)	8.0' Styleside Snowplow prep. package recommended	5.4L V8	5200	HB5	Y	3219 UT	AA	300	AE	300	AI	350	AM	400	AQ	350	AU	400	AY	400	BC	400	BG	550	BK	600								
							N		AB	300	AF	300	AJ	350	AN	400	AR	350	AV	400	AZ	400	BD	400	BH	550	BL	600								
							Y		AC	300	AG	300	AK	350	AO	400	AS	350	AW	400	BA	400	BE	400	BI	550	BM	600								
							N		AD	300	AH	300	AL	350	AP	400	AT	350	AX	400	BB	400	BF	400	BJ	550	BN	600								
							Y		AA	300	AE	350	AI	400	AM	650	AQ	500	AU	700	AY	600	BC	750												
							N		AB	300	AF	350	AJ	400	AN	650	AR	500	AV	700	AZ	600	BD	750												
					Y	AC	300	AG	350	AK	400	AO	650	AS	500	AW	700	BA	600	BE	750															
					N	AD	300	AH	350	AL	400	AP	650	AT	500	AX	700	BB	600	BF	750															
					Y	AA	350	AE	350	AI	400	AM	450	AQ	400	AU	450	AY	400	BC	450	BG	600	BK	750											
					N	AB	350	AF	350	AJ	400	AN	450	AR	400	AV	450	AZ	400	BD	450	BH	600	BL	750											
					Y	AC	350	AG	350	AK	400	AO	450	AS	400	AW	450	BA	400	BE	450	BI	600	BM	750											
					N	AD	350	AH	350	AL	400	AP	450	AT	400	AX	450	BB	400	BF	450	BJ	600	BN	750											
				Y	AA	400	AE	600	AI	850					AQ	1000																				
				N	AB	400	AF	600	AJ	850					AR	1000																				
				Y	AC	400	AG	600	AK	850					AS	1000																				
				N	AD	400	AH	600	AL	850					AT	1000																				
				Y	AA	550	AE	800																												
				N	AB	550	AF	800																												
				Y	AC	550	AG	800																												
				N	AD	550	AH	800																												
				F-250 HD Pick-up 4x4 (May require bumper notching)	1992-1997	Reg Cab	8.0' Box Snowplow prep. package recommended	5.8L V8	4600	HB5	Y	1299 UT	AA	100	AC	150	AE	150	AG	200	AI	200	AO	200	AK	200	AM	250	AQ	400	AS	450				
											N		AB	100	AD	150	AF	150	AH	200	AJ	200	AP	200	AL	200	AN	250	AR	400	AT	450				
											Y		AA	800	AC	1000																				
									N	AB	800		AD	1000																						
Y	AA	200	AC						250	AE	250		AG	300	AI	300	AO	300	AK	300	AM	300	AQ	500	AS	550										
N	AB	200	AD						250	AF	250		AH	300	AJ	300	AP	300	AL	300	AN	300	AR	500	AT	550										
Y	AA	300	AC					350	AE	400	AG	650	AI	500	AO	650	AK	600	AM	700																
N	AB	300	AD					350	AF	400	AH	650	AJ	500	AP	650	AL	600	AN	700																
Y	AA	250	AC					250	AE	300	AG	350	AI	300	AO	350	AK	350	AM	350	AQ	600	AS	950												
N	AB	250	AD					250	AF	300	AH	350	AJ	300	AP	350	AL	350	AN	350	AR	600	AT	950												
Y	AA	450	AC					650	AE	850					AI	950																				
N	AB	450	AD					650	AF	850					AJ	950																				
Y	AA	100	AC					150	AE	150	AG	200	AI	200	AO	200	AK	200	AM	200	AQ	350	AS	400												
N	AB	100	AD					150	AF	150	AH	200	AJ	200	AP	200	AL	200	AN	200	AR	350	AT	400												
Y	AA	200	AC					250	AE	250	AG	300	AI	300	AO	300	AK	300	AM	300	AQ	800														
N	AB	200	AD					250	AF	250	AH	300	AJ	300	AP	300	AL	300	AN	300	AR	800														
Y	AA	700	AC					900																												
N	AB	700	AD					900																												
1980-1991	Reg Cab	8.0' Box Snowplow prep. package recommended	5.8L V8			4600	HB1	Y	1349 UT	AA	400	AD	450	AG	500	AJ	500	AM	500	AP	550	AS	500	AV	550	AY	700	BB	750							
										N	AB	400	AE	450	AH	500	AK	500	AN	500	AQ	550	AT	500	AW	550	AZ	700	BC	750						
										Y	AC	400	AF	450	AI	500	AL	500	AO	500	AR	550	AU	500	AX	550	BA	700	BD	750						
							N	AA		700	AD	900																								
							Y	AB		700	AE	900																								
							N	AC		700	AF	900																								
						Y	AA	500	AD	500	AG	550	AJ	600	AM	550	AP	600	AS	600	AV	600	AY	750	BB	800										
						N	AB	500	AE	500	AH	550	AK	600	AN	550	AQ	600	AT	600	AW	600	AZ	750	BC	800										
						Y	AC	500	AF	500	AI	550	AL	600	AO	550	AR	600	AU	600	AX	600	BA	750	BD	800										
						N	AA	550	AD	600	AG	600	AJ	650	AM	650	AP	650	AS	650	AV	650														
						Y	AB	550	AE	600	AH	600	AK	650	AN	650	AQ	650	AT	650	AW	650														
						N	AC	550	AF	600	AI	600	AL	650	AO	650	AR	650	AU	650	AX	650														
						Y	AA	350	AD	400	AG	400	AJ	450	AM	450	AP	450	AS	450	AV	450	AY	600	BB	800										
						N	AB	350	AE	400	AH	400	AK	450	AN	450	AQ	450	AT	450	AW	450	AZ	600	BC	800										
						Y	AC	350	AF	400	AI	400	AL	450	AO	450	AR	450	AU	450	AX	450	BA	600	BD	800										
						N	AA	350	AD	400	AG	400	AJ	450	AM	450	AP	450	AS	450	AV	450														
						Y	AB	350	AE	400	AH	400	AK	450	AN	450	AQ	450	AT	450	AW	450														
						N	AC	350	AF	400	AI	400	AL	450	AO	450	AR	450	AU	450	AX	450														
Y	AA	350	AD	400	AG	400	AJ	450	AM	450	AP	450	AS	450	AV	450																				
N	AB	350	AE	400	AH	400	AK	450	AN	450	AQ	450	AT	450	AW	450																				
Y	AC	350	AF	400	AI	400	AL	450	AO	450	AR	450	AU	450	AX	450																				
N	AA	450	AD	450	AG	500	AJ	550	AM	500	AP	550	AS	500	AV	550																				
Y	AB	450	AE	450	AH	500	AK	550	AN	500	AQ	550	AT	500	AW	550																				
N	AC	450	AF	450	AI	500	AL	550	AO	500	AR	550	AU	500	AX	550																				
Y	AA	450	AD	500	AG	700	AJ	1000	AM	850																										
N	AB	450	AE	500	AH	700	AK	1000	AN	850																										
Y	AC	450	AF	500	AI	700	AL	1000	AO	850																										

FORD

MODEL/ CHASSIS	YEAR	FOUR WHEEL DRIVE Vehicle Options							Plow Options (O) and Ballast Required (B)																			
		BODY STYLE	OTHER	ENGINE(S)	MIN FGAWR	HEAD LAMP	DRL ?	PLOW MODEL	S 7.5		SY 7.5		P 7.5		PY 7.5		P 8.0		PY 8.0		P 8.5		P 9.0		MVP 8.5		MVP 9.5	
									O	B	O	B	O	B	O	B	O	B	O	B	O	B	O	B	O	B	O	B
F-250 LD Pick-up 4x4 (May require bumper notching)	1999	Reg Cab	8.0' Box Min. 7,700 GVWR Snowplow prep. package recommended	4.6L V8	4150	HB5	Y	1229 UT	AA	300	AC	300	AE	350	AG	400	AI	350	AO	400	AK	400	AM	400				
				5.4L V8	4150	HB5	Y		AB	300	AD	300	AF	350	AH	400	AJ	350	AP	400	AL	400	AN	400				
							N		AA	350	AC	350	AE	400	AG	500	AI	400	AO	550	AK	450	AM	600				
							N		AB	350	AD	350	AF	400	AH	500	AJ	400	AP	550	AL	450	AN	600				
							Y		AA	250	AC	300	AE	300	AG	350	AI	350	AO	350	AK	350	AM	350	AQ	600	AS	950
							N		AB	250	AD	300	AF	300	AH	350	AJ	350	AP	350	AL	350	AN	350	AR	600	AT	950
					Y	AA	900																					
					N	AB	900																					
					Y	AA	350		AC	350	AE	400	AG	500	AI	400	AO	550	AK	450	AM	600						
					N	AB	350		AD	350	AF	400	AH	500	AJ	400	AP	550	AL	450	AN	600						
					Y	AA	200		AC	250	AE	250	AG	300	AI	300	AO	300	AK	300	AM	300	AQ	900				
					N	AB	200		AD	250	AF	250	AH	300	AJ	300	AP	300	AL	300	AN	300	AR	900				
				Y	AA	250	AC	250	AE	300	AG	350	AI	300	AO	350	AK	350	AM	350								
				N	AB	250	AD	250	AF	300	AH	350	AJ	300	AP	350	AL	350	AN	350								
				Y	AA	250	AC	250	AE	300	AG	350	AI	300	AO	350	AK	350	AM	400								
				N	AB	250	AD	250	AF	300	AH	350	AJ	300	AP	350	AL	350	AM	400								
				Y	AA	250	AC	300	AE	500	AG	800	AI	650	AO	850	AK	750	AM	850								
				N	AB	250	AD	300	AF	500	AH	800	AJ	650	AP	850	AL	750	AM	850								
	1998	Reg Cab	8.0' Box Snowplow prep. package recommended	4.6L V8	4150	HB5	Y	1229 UT	AA	350	AC	400	AE	400	AG	450	AI	450	AO	450	AK	450	AM	450				
							N		AB	350	AD	400	AF	400	AH	450	AJ	450	AP	450	AL	450	AN	450				
							Y		AA	350	AC	400	AE	600	AG	850	AI	700	AO	900	AK	800	AM	950				
							N		AB	350	AD	400	AF	600	AH	850	AJ	700	AP	900	AL	800	AM	950				
							Y		AA	400	AC	400	AE	450	AG	500	AI	500	AO	500	AK	500	AM	500				
							N		AB	400	AD	400	AF	450	AH	500	AJ	500	AP	500	AL	500	AN	500				
				Y	AA	650	AC		850																			
				N	AB	650	AD		850																			
				Y	AA	300	AC		350	AE	550	AG	850	AI	700	AO	900	AK	800	AM	900							
				N	AB	300	AD		350	AF	550	AH	850	AJ	700	AP	900	AL	800	AN	900							
				Y	AA	600	AC		800																			
				N	AB	600	AD		800																			
1997	Reg Cab	8.0' Box Snowplow prep. package recommended	4.6L V8	3950	HB5	Y	1229 UT	AA	350	AC	400	AE	600	AG	850	AI	700	AO	900	AK	800	AM	950					
						N		AB	350	AD	400	AF	600	AH	850	AJ	700	AP	900	AL	800	AN	950					
						Y		AA	650	AC	850																	
				N	AB	650		AD	850																			
				Y	AA	300		AC	350	AE	550	AG	850	AI	700	AO	900	AK	800	AM	900							
				N	AB	300		AD	350	AF	550	AH	850	AJ	700	AP	900	AL	800	AN	900							
X-cab	6.5' Box Snowplow prep. package recommended	4.6L V8	3950	HB5	Y		AA	600	AC	800																		
					N	AB	600	AD	800																			
					Y	AA	600	AC	800																			
1992-1996	Reg Cab	8.0' Box Snowplow prep. package recommended	4.6L V8	3950	HB5	Y	1299 UT	AA	350	AC	400	AE	600	AG	850	AI	700	AO	900	AK	800	AM	950					
						N		AB	350	AD	400	AF	600	AH	850	AJ	700	AP	900	AL	800	AN	950					
						Y		AA	650	AC	850																	
				N	AB	650		AD	850																			
				Y	AA	300		AC	350	AE	550	AG	850	AI	700	AO	900	AK	800	AM	900							
				N	AB	300		AD	350	AF	550	AH	850	AJ	700	AP	900	AL	800	AN	900							
1980-1991	Reg Cab	8.0' Box Snowplow prep. package recommended	5.0L V8	4600	HB1	Y	1349 UT	AA	450	AD	500	AG	550	AJ	550	AM	550	AP	600	AS	550	AV	600	AY	750	BB	800	
						N		AB	450	AE	500	AH	550	AK	550	AN	550	AQ	600	AT	550	AW	600	AZ	750	BC	800	
						Y		AC	450	AF	500	AI	550	AL	550	AO	550	AR	600	AU	550	AX	600	BA	750	BD	800	
						N		AA	450	AD	500	AG	550	AJ	700	AM	550	AP	750	AS	650	AV	750					
						Y		AB	450	AE	500	AH	550	AK	700	AN	550	AQ	750	AT	650	AW	750					
						N		AC	450	AF	500	AI	550	AL	700	AM	550	AR	750	AU	650	AX	750					
						Y		AA	500	AD	550	AG	600	AJ	600	AM	600	AP	650	AS	600	AV	650	AY	800	BB	850	
						N		AB	500	AE	550	AH	600	AK	600	AN	600	AQ	650	AT	600	AW	650	AZ	800	BC	850	
						Y		AC	500	AF	550	AI	600	AL	600	AO	600	AR	650	AU	600	AX	650	BA	800	BD	850	

Reminder: The Joystick control is not included in the UltraMount® FloStat® hydraulics box.
Please choose between the Joystick Control #56369 or the CabCommand #56462

FORD

MODEL/ CHASSIS	YEAR	FOUR WHEEL DRIVE Vehicle Options							PLOW MODEL	Plow Options (O) and Ballast Required (B)																										
		BODY STYLE	OTHER	ENGINE(S)	MIN FGAWR	HEAD LAMP	DRL ?	O		S 7.5		SY 7.5		P 7.5		PY 7.5		P 8.0		PY 8.0		P 8.5		P 9.0		MVP 8.5		MVP 9.5								
										O	B	O	B	O	B	O	B	O	B	O	B	O	B	O	B	O	B	O	B	O	B					
F-350 Super Duty Pick-up 4x4 (May require bumper notching) (Vehicles with cab lights also require kit # 61185) (1999-2001 See note on Spring Code and tire pressure on pg. 25) (continued)	2001 (continued)	SuperCab (continued)	8.0' Styleside Single rear wheels Snowplow prep. package recommended (continued)	6.8L V10	5200	HB5	Y	3219 UT					AI	450	AM	500	AQ	500	AU	500	AY	500	BC	500	BG	650	BK	700								
							N																													
							2B																													
							N																													
							4800		HB5	Y																										
							N																													
				2B																																
				N																																
				7.3L Diesel	5200	HB5	Y																													
				N																																
				2B																																
				N																																
			8.0' Styleside Dual rear wheels Snowplow prep. package recommended	5.4L V8			5200	HB5	Y																											
			N																																	
			2B																																	
			N																																	
			4800		HB5	Y																														
			N																																	
			2B																																	
			N																																	
			6.8L V10	5200		HB5	Y																													
			N																																	
			2B																																	
			N																																	
		4800	HB5		Y																															
		N																																		
		2B																																		
		N																																		
		7.3L Diesel		5200	HB5	Y																														
		N																																		
		2B																																		
		N																																		
		7.0' Styleside Single rear wheels Snowplow prep. package recommended	6.8L V10			5200	HB5	Y																												
		N																																		
		2B																																		
		N																																		
		4800		HB5	Y																															
		N																																		
		2B																																		
		N																																		
		7.0' Styleside Dual rear wheels Snowplow prep. package recommended	6.8L V10		5200	HB5	Y																													
		N																																		
		2B																																		
		N																																		
		8.0' Styleside Single rear wheels Snowplow prep. package recommended		5.4L V8			5200	HB5	Y																											
		N																																		
		2B																																		
		N																																		
4800	HB5	Y																																		
N																																				
2B																																				
N																																				
6.8L V10		5200	HB5	Y																																
N																																				
2B																																				
N																																				
8.0' Styleside Dual rear wheels Snowplow prep. package recommended	6.8L V10			5200	HB5	Y																														
N																																				
2B																																				
N																																				

Reminder: The Joystick control is not included in the UltraMount® FloStat® hydraulics box.
Please choose between the Joystick Control #56369 or the CabCommand #56462

FORD

MODEL/ CHASSIS	YEAR	FOUR WHEEL DRIVE Vehicle Options				Plow Options (O) and Ballast Required (B)																						
		BODY STYLE	OTHER	ENGINE(S)	MIN FGAWR	HEAD LAMP	DRL ?	PLOW MODEL	S 7.5		SY 7.5		P 7.5		PY 7.5		P 8.0		PY 8.0		P 8.5		P 9.0		MVP 8.5		MVP 9.5	
									O	B	O	B	O	B	O	B	O	B	O	B	O	B	O	B	O	B	O	B
F-350 Super Duty Pick-up 4x4 (May require bumper notching) (Vehicles with cab lights also require kit # 61185) (1999-2001 See note on Spring Code and tire pressure on pg. 25) (continued)	2000	Reg Cab	8.0' Styleside Single rear wheels	5.4L V8	5200	HB5	Y	3219 UT					AI	450	AM	450	AQ	450	AU	500	AY	450	BC	500	BG	650	BK	700
							N		AJ	450	AN	450	AR	450	AV	500	AZ	450	BD	500	BH	650	BL	700				
							2B		AK	450	AO	450	AS	450	AW	500	BA	450	BE	500	BI	650	BM	700				
							N		AL	450	AP	450	AT	450	AX	500	BB	450	BF	500	BJ	650	BN	700				
							4800		AI	400	AM	450	AQ	450	AU	450	AY	450	BC	450	BG	650	BK	800				
							N		AJ	400	AN	450	AR	450	AV	450	AZ	450	BD	450	BH	650	BL	800				
				2B	AK	400	AO		450	AS	450	AW	450	BA	450	BE	450	BI	650	BM	800							
				N	AL	400	AP		450	AT	450	AX	450	BB	450	BF	450	BJ	650	BN	800							
				4400	AI	800				AQ	900			AY	1000													
				N	AJ	800				AR	900			AZ	1000													
				2B	AK	800				AS	900			BA	1000													
				N	AL	800				AT	900			BB	1000													
				6.8L V10	AI	500	AM		550	AQ	500	AU	550	AY	500	BC	550	BG	700	BK	750							
				N	AJ	500	AN		550	AR	500	AV	550	AZ	500	BD	550	BH	700	BL	750							
				2B	AK	500	AO		550	AS	500	AW	550	BA	500	BE	550	BI	700	BM	750							
				N	AL	500	AP		550	AT	500	AX	550	BB	500	BF	550	BJ	700	BN	750							
				4800	AI	500	AM		550	AQ	500	AU	550	AY	500	BC	550											
				N	AJ	500	AN		550	AR	500	AV	550	AZ	500	BD	550											
				2B	AK	500	AO		550	AS	500	AW	550	BA	500	BE	550											
				N	AL	500	AP		550	AT	500	AX	550	BB	500	BF	550											
				7.3L Diesel	AI	650	AM		700	AQ	650	AU	700	AY	700	BC	700											
				N	AJ	650	AN		700	AR	650	AV	700	AZ	700	BD	700											
				2B	AK	650	AO		700	AS	650	AW	700	BA	700	BE	700											
				N	AL	650	AP		700	AT	650	AX	700	BB	700	BF	700											
			8.0' Styleside Dual rear wheels	AI	500								AY	250	BC	300	BG	450	BK	500								
			N	AJ	500								AZ	250	BD	300	BH	450	BL	500								
			2B	AK	500								BA	250	BE	300	BI	450	BM	500								
			N	AL	500								BB	250	BF	300	BJ	450	BN	500								
			6.8L V10	AI	500								AY	300	BC	300	BG	450	BK	500								
			N	AJ	500								AZ	300	BD	300	BH	450	BL	500								
			2B	AK	500								BA	300	BE	300	BI	450	BM	500								
			N	AL	500								BB	300	BF	300	BJ	450	BN	500								
			7.3L Diesel	AI	500								AY	450	BC	450												
			N	AJ	500								AZ	450	BD	450												
			2B	AK	500								BA	450	BE	450												
			N	AL	500								BB	450	BF	450												
			7.0' Styleside Single rear wheels	AI	450	AM	500		AQ	450	AU	500	AY	450	BC	500	BG	650	BK	700								
			N	AJ	450	AN	500		AR	450	AV	500	AZ	450	BD	500	BH	650	BL	700								
			2B	AK	450	AO	500		AS	450	AW	500	BA	450	BE	500	BI	650	BM	700								
			N	AL	450	AP	500		AT	450	AX	500	BB	450	BF	500	BJ	650	BN	700								
			4400	AI	1000																							
			N	AJ	1000																							
			2B	AK	1000																							
			N	AL	1000																							
			6.8L V10	AI	500	AM	550		AQ	500	AU	550	AY	550	BC	550	BG	700	BK	750								
			N	AJ	500	AN	550		AR	500	AV	550	AZ	550	BD	550	BH	700	BL	750								
			2B	AK	500	AO	550		AS	500	AW	550	BA	550	BE	550	BI	700	BM	750								
			N	AL	500	AP	550		AT	500	AX	550	BB	550	BF	550	BJ	700	BN	750								
7.3L Diesel	AI	650	AM	700	AQ	700	AU	700	AY	700	BC	700																
N	AJ	650	AN	700	AR	700	AV	700	AZ	700	BD	700																
2B	AK	650	AO	700	AS	700	AW	700	BA	700	BE	700																
N	AL	650	AP	700	AT	700	AX	700	BB	700	BF	700																
8.0' Styleside Single rear wheels	AI	400	AM	450	AQ	400	AU	450	AY	450	BC	450	BG	600	BK	650												
N	AJ	400	AN	450	AR	400	AV	450	AZ	450	BD	450	BH	600	BL	650												
2B	AK	400	AO	450	AS	400	AW	450	BA	450	BE	450	BI	600	BM	650												
N	AL	400	AP	450	AT	400	AX	450	BB	450	BF	450	BJ	600	BN	650												
4800	AI	400	AM	450	AQ	400	AU	450	AY	450	BC	450																
N	AJ	400	AN	450	AR	400	AV	450	AZ	450	BD	450																
2B	AK	400	AO	450	AS	400	AW	450	BA	450	BE	450																
N	AL	400	AP	450	AT	400	AX	450	BB	450	BF	450																

Reminder: The Joystick control is not included in the UltraMount® FloStat® hydraulics box.
 Please choose between the Joystick Control #56369 or the CabCommand #56462

FORD

MODEL/ CHASSIS	YEAR	FOUR WHEEL DRIVE Vehicle Options				Plow Options (O) and Ballast Required (B)																													
		BODY STYLE	OTHER	ENGINE(S)	MIN FGAWR	HEAD LAMP	DRL ?	PLOW MODEL	S 7.5		SY 7.5		P 7.5		PY 7.5		P 8.0		PY 8.0		P 8.5		P 9.0		MVP 8.5		MVP 9.5								
									O	B	O	B	O	B	O	B	O	B	O	B	O	B	O	B	O	B	O	B	O	B					
F-350 Super Duty Pick-up 4x4 (May require bumper notching) (Vehicles with cab lights also require kit # 61185) (1999-2001 See note on Spring Code and tire pressure on pg. 25) (continued)	1999	Reg Cab	8.0' Styleside Single rear wheels Snowplow prep. package recommended	5.4L V8	5200	HB5	Y	3219 UT					AI	350	AM	400	AQ	350	AU	400	AY	400	BC	400	BG	550	BK	600							
																			AJ	350	AN	400	AR	350	AV	400	AZ	400	BD	400	BH	550	BL	600	
																				AK	350	AO	400	AS	350	AW	400	BA	400	BE	400	BI	550	BM	600
																				AL	350	AP	400	AT	350	AX	400	BB	400	BF	400	BJ	550	BN	600
																				AI	350	AM	400	AQ	400	AU	400	AY	400	BC	400	BG	600	BK	650
																			AJ	350	AN	400	AR	400	AV	400	AZ	400	BD	400	BH	600	BL	650	
																			AK	350	AO	400	AS	400	AW	400	BA	400	BE	400	BI	600	BM	650	
																			AL	350	AP	400	AT	400	AX	400	BB	400	BF	400	BJ	600	BN	650	
																			AI	550	AM	800	AQ	650	AU	850	AY	750	BC	850					
																			AJ	550	AN	800	AR	650	AV	850	AZ	750	BD	850					
																	AK	550	AO	800	AS	650	AW	850	BA	750	BE	850							
																	AL	550	AP	800	AT	650	AX	850	BB	750	BF	850							
																	AI	400	AM	450	AQ	400	AU	450	AY	400	BC	450	BG	600	BK	650			
																	AJ	400	AN	450	AR	400	AV	450	AZ	400	BD	450	BH	600	BL	650			
																	AK	400	AO	450	AS	400	AW	450	BA	400	BE	450	BI	600	BM	650			
																	AL	400	AP	450	AT	400	AX	450	BB	400	BF	450	BJ	600	BN	650			
																	AI	400	AM	450	AQ	450	AU	450	AY	450	BC	450	BG	650	BK	950			
																	AJ	400	AN	450	AR	450	AV	450	AZ	450	BD	450	BH	650	BL	950			
																	AK	400	AO	450	AS	450	AW	450	BA	450	BE	450	BI	650	BM	950			
																	AL	400	AP	450	AT	450	AX	450	BB	450	BF	450	BJ	650	BN	950			
																	AI	950																	
																	AJ	950																	
																	AK	950																	
																	AL	950																	
																	AI	550	AM	600	AQ	550	AU	600	AY	600	BC	600	BG	750					
																	AJ	550	AN	600	AR	550	AV	600	AZ	600	BD	600	BH	750					
																	AK	550	AO	600	AS	550	AW	600	BA	600	BE	600	BI	750					
																	AL	550	AP	600	AT	550	AX	600	BB	600	BF	600	BJ	750					
																	AI	350	AM	400	AQ		AU		AY	350	BC	350	BG	500	BK	550			
																	AJ	350	AN	400	AR		AV		AZ	350	BD	350	BH	500	BL	550			
																	AK	350	AO	400	AS		AW		BA	350	BE	350	BI	500	BM	550			
																	AL	350	AP	400	AT		AX		BB	350	BF	350	BJ	500	BN	550			
																	AI	400	AM	450	AQ		AU		AY	350	BC	350	BG	700	BK	1000			
																	AJ	400	AN	450	AR		AV		AZ	350	BD	350	BH	700	BL	1000			
																	AK	400	AO	450	AS		AW		BA	350	BE	350	BI	700	BM	1000			
																	AL	400	AP	450	AT		AX		BB	350	BF	350	BJ	700	BN	1000			
																	AI	400	AM	450	AQ		AU		AY	300	BC	350	BG	500	BK	550			
																	AJ	400	AN	450	AR		AV		AZ	300	BD	350	BH	500	BL	550			
																	AK	400	AO	450	AS		AW		BA	300	BE	350	BI	500	BM	550			
																	AL	400	AP	450	AT		AX		BB	300	BF	350	BJ	500	BN	550			
																	AI	450	AM	450	AQ		AU		AY	350	BC	350							
																	AJ	450	AN	450	AR		AV		AZ	350	BD	350							
																	AK	450	AO	450	AS		AW		BA	350	BE	350							
																	AL	450	AP	450	AT		AX		BB	350	BF	350							
																	AI	550	AM	600	AQ		AU		AY	500	BC	500							
																	AJ	550	AN	600	AR		AV		AZ	500	BD	500							
																	AK	550	AO	600	AS		AW		BA	500	BE	500							
																	AL	550	AP	600	AT		AX		BB	500	BF	500							
						X-Cab	7.0' Styleside Single rear wheels Snowplow prep. package recommended	5.4L V8	5200	HB5	Y		AI	350	AM	400	AQ	400	AU	400	AY	400	BC	400	BD	400	BG	550	BK	600					
									</																										

FORD

FOUR WHEEL DRIVE Vehicle Options										Plow Options (O) and Ballast Required (B)																		
MODEL/ CHASSIS	YEAR	BODY STYLE	OTHER	ENGINE(S)	MIN FGAWR	HEAD LAMP	DRL ?	PLOW MODEL	S 7.5		SY 7.5		P 7.5		PY 7.5		P 8.0		PY 8.0		P 8.5		P 9.0		MVP 8.5		MVP 9.5	
									O	B	O	B	O	B	O	B	O	B	O	B	O	B	O	B	O	B	O	B
F-350 Pick-up 4x4 (May require bumper notching) (Vehicles with cab lights also require kit # 61185) (continued)	1980-1991 (continued)	Reg Cab (continued)	8.0' Box Snowplow prep. package recommended (continued)	7.5L V8	5000	HB1	Y	1349 UT					AG	550	AJ	600	AM	600	AP	600	AS	600	AV	600	AY	800	BB	850
							N		AH	550	AK	600	AN	600	AQ	600	AR	600	AT	600	AW	600	AZ	800	BC	850		
							N		AI	550	AL	600	AO	600	AP	600	AU	600	AX	600	BA	800	BD	850				
					Y	AG	550		AJ	600	AM	600	AR	600	AS	600	AV	600	AY	800	BB	850						
					N	AH	550		AK	600	AN	600	AQ	600	AR	600	AT	600	AW	600	AZ	800	BC	850				
					N	AI	550		AL	600	AO	600	AP	600	AU	600	AX	600	BA	800	BD	850						
				4600	Y	AG	550		AJ	600	AM	600	AR	600	AS	600	AV	600	AY	800	BB	850						
					N	AH	550		AK	600	AN	600	AQ	600	AR	600	AT	600	AW	600	AZ	800	BC	850				
					N	AI	550		AL	600	AO	600	AP	600	AU	600	AX	600	BA	800	BD	850						
					Y	AG	550		AJ	700	AM	700	AR	700	AS	700	AV	700	AY	900	BB	950						
					N	AH	650		AK	700	AN	700	AQ	700	AR	700	AT	700	AW	700	AZ	900	BC	950				
					N	AI	650		AL	700	AO	700	AP	700	AU	700	AX	700	BA	900	BD	950						
	7.3L V8 Diesel	5000	HB1	Y	AG	650	AJ	700	AM	700	AR	700	AS	700	AV	700	AY	900	BB	950								
				N	AH	650	AK	700	AN	700	AQ	700	AR	700	AT	700	AW	700	AZ	900	BC	950						
				N	AI	650	AL	700	AO	700	AP	700	AU	700	AX	700	BA	900	BD	950								
		4600	Y	AG	650	AJ	900	AM	750	AR	750	AS	850	AV	950													
			N	AH	650	AK	900	AN	750	AQ	950	AR	850	AV	950													
			N	AI	650	AL	900	AO	750	AP	950	AU	850	AX	950													
	Crew Cab	8.0' Box Snowplow prep. package recommended	5.8L V8	5000	HB1	Y	AG	400	AJ	400	AM	400	AR	450	AS	400	AV	450	AY	600	BB	650						
						N	AH	400	AK	400	AN	400	AQ	450	AR	400	AW	450	AZ	600	BC	650						
						N	AI	400	AL	400	AO	400	AP	450	AU	400	AX	450	BA	600	BD	650						
			Y	AG	400	AJ	400	AM	400	AR	450	AS	400	AV	450													
			N	AH	400	AK	400	AN	400	AQ	450	AR	400	AW	450													
			N	AI	400	AL	400	AO	400	AP	450	AU	400	AX	450													
4600		Y	AG	400	AJ	400	AM	400	AR	450	AS	400	AV	450														
		N	AH	400	AK	400	AN	400	AQ	450	AR	400	AW	450														
		N	AI	400	AL	400	AO	400	AP	450	AU	400	AX	450														
		Y	AG	450	AJ	500	AM	500	AR	500	AS	500	AV	500	AY	500	BB	700										
		N	AH	450	AK	500	AN	500	AQ	500	AR	500	AT	500	AW	500	AZ	650	BC	700								
		N	AI	450	AL	500	AO	500	AP	500	AU	500	AX	500	BA	650	BD	700										
7.3L Diesel	5000	HB1	Y	AG	450	AJ	500	AM	550	AR	750	AS	650	AV	800													
			N	AH	450	AK	700	AN	550	AQ	750	AR	650	AW	800													
			N	AI	450	AL	700	AO	550	AP	750	AU	650	AX	800													
	Y	AG	550	AJ	600	AM	550	AR	600	AS	550	AV	650															
	N	AH	550	AK	600	AN	550	AQ	600	AR	600	AT	550	AW	650													
	N	AI	550	AL	600	AO	550	AR	600	AU	550	AX	650															

TWO WHEEL DRIVE Vehicle Options										Plow Options (O) and Ballast Required (B)																		
MODEL/ CHASSIS	YEAR	BODY STYLE	OTHER	ENGINE(S)	MIN FGAWR	HEAD LAMP	DRL ?	PLOW MODEL	S 7.5		SY 7.5		P 7.5		PY 7.5		P 8.0		PY 8.0		P 8.5		P 9.0		MVP 8.5		MVP 9.5	
									O	B	O	B	O	B	O	B	O	B	O	B	O	B	O	B	O	B	O	B
F-Super Duty Chassis Cab 2WD	1992-1997	All	Dual rear wheels Min. 10,000 GVWR	All	All	HB5	Y	1299 UT																				
							N		AK	?	AM	?	AQ	?	AR	?	AS	?	AV	?	AY	?	AZ	?	BB	?	BC	?
	Y	AL	?	AN	?	AO	?		AP	?	AS	?	AV	?	AY	?	AZ	?	BB	?	BC	?	BD	?	BE	?	BF	?
	N	AL	?	AN	?	AO	?		AP	?	AS	?	AV	?	AY	?	AZ	?	BB	?	BC	?	BD	?	BE	?	BF	?
1980-1991	All	Dual rear wheels Min. 10,000 GVWR	All	All	HB1	Y	1349 UT																					
						N		AS	?	AV	?	AY	?	AZ	?	BB	?	BC	?	BD	?	BE	?	BF	?	BJ	?	BK
Y	AT	?	AW	?	AX	?		AY	?	AZ	?	BB	?	BC	?	BD	?	BE	?	BF	?	BJ	?	BK	?	BL	?	
N	AT	?	AW	?	AX	?		AY	?	AZ	?	BB	?	BC	?	BD	?	BE	?	BF	?	BJ	?	BK	?	BL	?	

Reminder: The Joystick control is not included in the UltraMount® FloStat® hydraulics box.
Please choose between the Joystick Control #56369 or the CabCommand #56462

FORD

Remember:

COMPLETE PLOW			COMPONENT NUMBERS							Control Choice
MODEL	OPTION	BLADE SIZE	MOUNT ASSEMBLY	BLADE ASSEMBLY	ATTACHMENT ASSEMBLY	HYDRAULIC ASSEMBLY	LAMP KIT	HARNESS KIT	DRL KIT	
1229 UltraMount® Plow	AA	UTS 7.5	67810	60018	63560	56588	61540-1	63420	61584	Choose either: #56369 Joystick Or #56462 CabCommand
	AB	UTS 7.5	67810	60018	63560	56588	61540-1	63420	----	
	AC	UTSY 7.5	67810	62110	63560	56588	61540-1	63420	61584	
	AD	UTSY 7.5	67810	62110	63560	56588	61540-1	63420	----	
	AE	UTP 7.5	67810	60381	66880	56588	61540-1	63420	61584	
	AF	UTP 7.5	67810	60381	66880	56588	61540-1	63420	----	
	AG	UTPY 7.5	67810	62400	66880	56588	61540-1	63420	61584	
	AH	UTPY 7.5	67810	62400	66880	56588	61540-1	63420	----	
	AI	UTP 8.0	67810	60390	66880	56588	61540-1	63420	61584	
	AJ	UTP 8.0	67810	60390	66880	56588	61540-1	63420	----	
	AK	UTP 8.5	67810	60308	66880	56588	61540-1	63420	61584	
	AL	UTP 8.5	67810	60308	66880	56588	61540-1	63420	----	
	AM	UTP 9.0	67810	60655	66880	56588	61540-1	63420	61584	
	AN	UTP 9.0	67810	60655	66880	56588	61540-1	63420	----	
	AO	UTPY 8.0	67810	62450	66880	56588	61540-1	63420	61584	
	AP	UTPY 8.0	67810	62450	66880	56588	61540-1	63420	----	
	AQ	MVP 8.5	67810	63819	56810	56777	66640-2	63421	61584	
AR	MVP 8.5	67810	63819	56810	56777	66640-2	63421	----		
AS	MVP 9.5	67810	63808	56810	56777	66640-2	63421	61584		
AT	MVP 9.5	67810	63808	56810	56777	66640-2	63421	----		
1299 UltraMount® Plow	AA	UTS 7.5	67830-1	60018	63560	56588	61540-1	61590	61584	Choose either: #56369 Joystick Or #56462 CabCommand
	AB	UTS 7.5	67830-1	60018	63560	56588	61540-1	61590	----	
	AC	UTSY 7.5	67830-1	62110	63560	56588	61540-1	61590	61584	
	AD	UTSY 7.5	67830-1	62110	63560	56588	61540-1	61590	----	
	AE	UTP 7.5	67830-1	60381	66880	56588	61540-1	61590	61584	
	AF	UTP 7.5	67830-1	60381	66880	56588	61540-1	61590	----	
	AG	UTPY 7.5	67830-1	62400	66880	56588	61540-1	61590	61584	
	AH	UTPY 7.5	67830-1	62400	66880	56588	61540-1	61590	----	
	AI	UTP 8.0	67830-1	60390	66880	56588	61540-1	61590	61584	
	AJ	UTP 8.0	67830-1	60390	66880	56588	61540-1	61590	----	
	AK	UTP 8.5	67830-1	60308	66880	56588	61540-1	61590	61584	
	AL	UTP 8.5	67830-1	60308	66880	56588	61540-1	61590	----	
	AM	UTP 9.0	67830-1	60655	66880	56588	61540-1	61590	61584	
	AN	UTP 9.0	67830-1	60655	66880	56588	61540-1	61590	----	
	AO	UTPY 8.0	67830-1	62450	66880	56588	61540-1	61590	61584	
	AP	UTPY 8.0	67830-1	62450	66880	56588	61540-1	61590	----	
	AQ	MVP 8.5	67830-1	63819	56810	56777	66640-2	61591	61584	
AR	MVP 8.5	67830-1	63819	56810	56777	66640-2	61591	----		
AS	MVP 9.5	67830-1	63808	56810	56777	66640-2	61591	61584		
AT	MVP 9.5	67830-1	63808	56810	56777	66640-2	61591	----		

FORD

Remember:

COMPLETE PLOW			COMPONENT NUMBERS							Control Choice
MODEL	OPTION	BLADE SIZE	MOUNT ASSEMBLY	BLADE ASSEMBLY	ATTACHMENT ASSEMBLY	HYDRAULIC ASSEMBLY	LAMP KIT	HARNESS KIT	DRL KIT	
1349 UltraMount® Plow	AA	UTS 7.5	63710	60018	63560	56588	61540-1	61570	61584	Choose either: #56369 Joystick Or #56462 CabCommand
	AB	UTS 7.5	63710	60018	63560	56588	61540-1	61570	----	
	AC	UTS 7.5	63710	60018	63560	56588	61540-1	61545	----	
	AD	UTSY 7.5	63710	62110	63560	56588	61540-1	61570	61584	
	AE	UTSY 7.5	63710	62110	63560	56588	61540-1	61570	----	
	AF	UTSY 7.5	63710	62110	63560	56588	61540-1	61545	----	
	AG	UTP 7.5	63710	60381	66880	56588	61540-1	61570	61584	
	AH	UTP 7.5	63710	60381	66880	56588	61540-1	61570	----	
	AI	UTP 7.5	63710	60381	66880	56588	61540-1	61545	----	
	AJ	UTPY 7.5	63710	62400	66880	56588	61540-1	61570	61584	
	AK	UTPY 7.5	63710	62400	66880	56588	61540-1	61570	----	
	AL	UTPY 7.5	63710	62400	66880	56588	61540-1	61545	----	
	AM	UTP 8.0	63710	60390	66880	56588	61540-1	61570	61584	
	AN	UTP 8.0	63710	60390	66880	56588	61540-1	61570	----	
	AO	UTP 8.0	63710	60390	66880	56588	61540-1	61545	----	
	AP	UTPY 8.0	63710	62450	66880	56365	61540-1	61570	61584	
	AQ	UTPY 8.0	63710	62450	66880	56365	61540-1	61570	----	
	AR	UTPY 8.0	63710	62450	66880	56365	61540-1	61545	----	
	AS	UTP 8.5	63710	60308	66880	56588	61540-1	61570	61584	
	AT	UTP 8.5	63710	60308	66880	56588	61540-1	61570	----	
AU	UTP 8.5	63710	60308	66880	56588	61540-1	61545	----		
AV	UTP 9.0	63710	60655	66880	56588	61540-1	61570	61584		
AW	UTP 9.0	63710	60655	66880	56588	61540-1	61570	----		
AX	UTP 9.0	63710	60655	66880	56588	61540-1	61545	----		
AY	MVP 8.5	63710	63819	56810	56777	66640-2	61571	61584		
AZ	MVP 8.5	63710	63819	56810	56777	66640-2	61571	----		
BA	MVP 8.5	63710	63819	56810	56777	66640-2	61546	----		
BB	MVP 9.5	63710	63808	56810	56777	66640-2	61571	61584		
BC	MVP 9.5	63710	63808	56810	56777	66640-2	61546	----		
BD	MVP 9.5	63710	63808	56810	56777	66640-2	61546	----		

FORD

Remember:

COMPLETE PLOW			COMPONENT NUMBERS							Control Choice
MODEL	OPTION	BLADE SIZE	MOUNT ASSEMBLY	BLADE ASSEMBLY	ATTACHMENT ASSEMBLY	HYDRAULIC ASSEMBLY	LAMP KIT	HARNESS KIT	DRL KIT	
3219 UltraMount® Plow	AA	UTS 7.5	67982	60018	63560	56588	61540-1	63420	61584	Choose either: #56369 Joystick Or #56462 CabCommand
	AB	UTS 7.5	67982	60018	63560	56588	61540-1	63420	----	
	AC	UTS 7.5	67982	60018	63560	56588	61540-1	63422	61584	
	AD	UTS 7.5	67982	60018	63560	56588	61540-1	63422	----	
	AE	UTSY 7.5	67982	62110	63560	56588	61540-1	63420	61584	
	AF	UTSY 7.5	67982	62110	63560	56588	61540-1	63420	----	
	AG	UTSY 7.5	67982	62110	63560	56588	61540-1	63422	61584	
	AH	UTSY 7.5	67982	62110	63560	56588	61540-1	63422	----	
	AI	UTP 7.5	67982	60381	66880	56588	61540-1	63420	61584	
	AJ	UTP 7.5	67982	60381	66880	56588	61540-1	63420	----	
	AK	UTP 7.5	67982	60381	66880	56588	61540-1	63422	61584	
	AL	UTP 7.5	67982	60381	66880	56588	61540-1	63422	----	
	AM	UTPY 7.5	67982	62400	66880	56588	61540-1	63420	61584	
	AN	UTPY 7.5	67982	62400	66880	56588	61540-1	63420	----	
	AO	UTPY 7.5	67982	62400	66880	56588	61540-1	63422	61584	
	AP	UTPY 7.5	67982	62400	66880	56588	61540-1	63422	----	
	AQ	UTP 8.0	67982	60390	66880	56588	61540-1	63420	61584	
	AR	UTP 8.0	67982	60390	66880	56588	61540-1	63420	----	
	AS	UTP 8.0	67982	60390	66880	56588	61540-1	63422	61584	
	AT	UTP 8.0	67982	60390	66880	56588	61540-1	63422	----	
	AU	UTPY 8.0	67982	62450	66880	56588	61540-1	63420	61584	
	AV	UTPY 8.0	67982	62450	66880	56588	61540-1	63420	----	
	AW	UTPY 8.0	67982	62450	66880	56588	61540-1	63422	61584	
	AX	UTPY 8.0	67982	62450	66880	56588	61540-1	63422	----	
	AY	UTP 8.5	67982	60308	66880	56588	61540-1	63420	61584	
	AZ	UTP 8.5	67982	60308	66880	56588	61540-1	63420	----	
	BA	UTP 8.5	67982	60308	66880	56588	61540-1	63422	61584	
	BB	UTP 8.5	67982	60308	66880	56588	61540-1	63422	----	
	BC	UTP 9.0	67982	60655	66880	56588	61540-1	63420	61584	
	BD	UTP 9.0	67982	60655	66880	56588	61540-1	63420	----	
BE	UTP 9.0	67982	60655	66880	56588	61540-1	63422	61584		
BF	UTP 9.0	67982	60655	66880	56588	61540-1	63422	----		
BG	MVP 8.5	67982	63819	56810	56777	66640-2	63421	61584		
BH	MVP 8.5	67982	63819	56810	56777	66640-2	63421	----		
BI	MVP 8.5	67982	63819	56810	56777	66640-2	63423	61584		
BJ	MVP 8.5	67982	63819	56810	56777	66640-2	63423	----		
BK	MVP 9.5	67982	63808	56810	56777	66640-2	63421	61584		
BL	MVP 9.5	67982	63808	56810	56777	66640-2	63421	----		
BM	MVP 9.5	67982	63808	56810	56777	66640-2	63423	61584		
BN	MVP 9.5	67982	63808	56810	56777	66640-2	63423	----		

WEIGHT AND DIMENSIONAL CHART

PLOWS		ACCESSORIES EFFECTIVE ADDED WEIGHT (lbs.)			VARIABLES (in.)
SIZE	WEIGHT (lbs.)	POLY DEFLECTOR	RUBBER DEFLECTOR	CUTTING EDGE 1/2"	Z (in.)
6-1/2' UTS	589	17.1	26.4	---	19.6
7' UTS	599	18.2	28.1	---	19.8
7-1/2' UTS	614	19.1	29.6	25.7	20.1
7-1/2' UTSY	644	----	----	24.7	21.3
7-1/2' UTP	682	19.2	29.7	25.8	20.8
7-1/2' UTPY	719	----	----	24.8	22.7
8' UTP	699	20.1	33.8	27.4	21.3
8' UTPY	727	----	----	26.9	22.5
8-1/2' UTP	715	21.1	35.5	28.8	21.5
9' UTP	734	22.1	37.1	30.2	21.8
8.5' MVP	899	----	----	----	24.0
9.5' MVP	949	----	----	----	25.0

#	MOUNT WEIGHT	X	Y	VEHICLE USE	YEAR
1589	40.7	31.3	7.6	Chevy/GMC K1500, K2500, 3500(4x4 & 4x2 over 10,000 GVWR), Suburban/Yukon XL (2500)	1988 - 1999
3519	33.8	29.1	7.6	Chevy/GMC Light Truck (1500 4x4), Avalanvhe 1500	1999 - Later
3529	54.2	32.4	11.4	Chevy/GMC Light Truck (2500 4x4), Suburban/Yukon XL (2500), Avalanvhe 2500	1999 - Later
959	39.6	30.0	8.0	Dodge Ram W1500	2002 - Later
969	47.0	37.0	6.9	Dodge Ram W2500 & W3500	2003
989	51.0	35.0	8.5	Dodge Ram W1500	1994 - 2001
989	51.0	35.0	8.5	Dodge Ram W2500 & W3500	1994 - 2002
1299	83.1	32.9	8.3	Ford F150, Bronco	1992 - 1996
1299	83.1	32.9	8.3	Ford F250, F350	1992 - 1998
1229	43.6	35.1	8.7	Ford F150, F250 LD, Expedition	1997 - Later
1349	86.5	27.9	5.7	Ford F150/F250/F350 (4x4), Bronco (4x4) & F-SuperDuty (2WD)	1980 - 1991
3219	68.9	30.4	9.0	Ford F250/350(4x4, 2wd Over 8,500 GVWR) SuperDuty, Excursion	1999 - Later

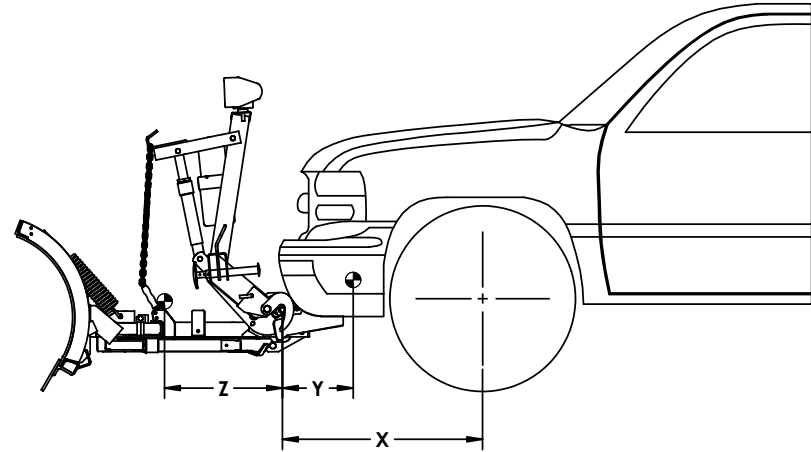
DIMENSIONAL DIAGRAM

VARIABLES:

X = Distance from Q_c of front axle to receiver pin.

Y = Distance from receiver pin to CG of the mount.

Z = Distance from receiver pin to the CG of the plow.



Example: Weight that one would use if they had a 7-1/2' UTP with the poly deflector and a 1/2" cutting edge.

The weight of the plow alone with no accessories would be 682 lbs. with its center of gravity 20.8 in. from the coupling point.

To add the weight of the accessories, look in the row with the blade 7-1/2' UTP to find the effective poly deflector weight of 19.2 lbs. and the effective cutting edge weight of 25.8 lbs.

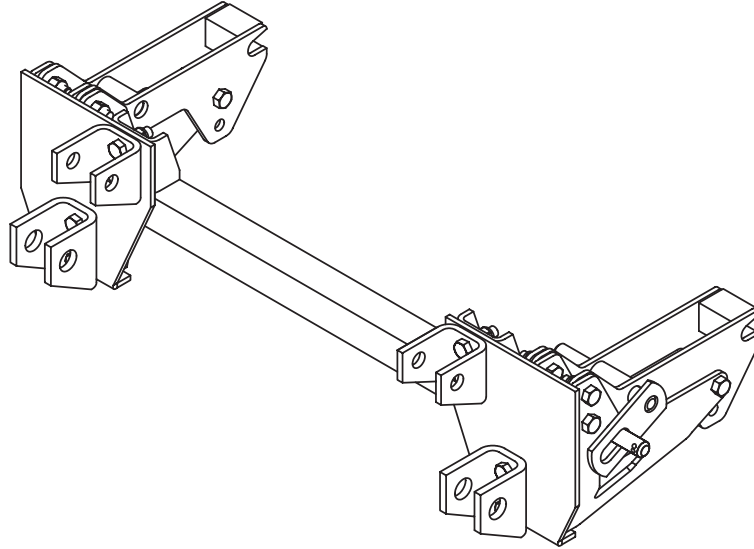
The total weight of the blade and accessories will be:

682.0
19.2
25.8
<hr style="width: 100%; border: 0.5px solid black;"/>
727.0 with its center of gravity still at 20.8 in. from the coupling point

ALWAYS comply with the vehicle manufacturer's stated gross vehicle and axle weight ratings (found on the driver side door jam of the vehicle) and front and rear weight distribution ratio with the snowplow installed. In some cases, rear ballast may be required to achieve these requirements.

Available vehicle capacities for after-market equipment and components can be determined by using the above information along with information provided by the vehicle manufacturers Body Builder Guides. Follow all requirements and recommendations as stated by vehicle manufacturer.

63754 UltraMount® to UniMount® Conversion Kit



This easy to use UltraMount® to UniMount® conversion kit enables you to attach a UniMount® plow to a vehicle equipped with an UltraMount® mount.

Simply remove the receivers from your UltraMount System mount, and pin the conversion plate in place. This accessory is perfect for customers with multiple snowplows, providing their fleet with versatility while changing to the UltraMount System.

This new kit is also ideal for transferring an old UniMount plow to a new truck. As new trucks are released, we will develop only new UltraMounts for these plow applications. This will allow the customer to transfer an existing UniMount plow to the late model vehicle. In addition, when customers are ready to replace their old UniMount plow, the truck will already have the mount and wiring for an UltraMount plow.

To qualify the vehicle and determine ballast, you must fill out the **VEHICLE AND PLOW APPLICATION INQUIRY SHEET**

WARNING

**CONVERSION KIT USE IS LIMITED TO
VEHICLES UNDER 10,000 LBS. GVWR**

WARNING

**Do not exceed GVWR or GAWR, including
blade and ballast. The rating label is found
on the driver-side, vehicle door cornerpost.**

**Note: When ballast is required it should be
secured behind the rear wheels in a manne
which prevents it from sliding during norm
driving. Western Products offers an
optional ballast retainer kit (62849) for this
purpose.**

VEHICLE AND PLOW APPLICATION INQUIRY SHEET ON FOLLOWING PAGE

The following sheet is to be used for:

UltraMount® to UniMount® Conversion Kit with a GVWR of less than 10,000 lb.

4WD (Four Wheel Drive) Chassis Cabs with a GVWR of 8,500 lb. or higher

2WD (Two Wheel Drive) Chassis Cabs with a GVWR of 10,000 lb. or higher

Exceptions are those vehicles that are listed as Chassis Cab in Selection List that are other than above.

This form is to be filled out when assistance is necessary to determine the appropriate ballast/plow combinations for the vehicle in question.

This form **must** be completed in its entirety.

Any forms containing incomplete information **will not be considered**.

VEHICLE **MUST** BE WEIGHED COMPLETE AND EMPTY (NO OCCUPANTS, PLOW and/or PLOW MOUNT)

Please return a completed copy of the VEHICLE AND PLOW APPLICATION INQUIRY SHEET via fax (414) 354-6664.

VEHICLE AND PLOW APPLICATION INQUIRY SHEET



Western Products
 7777 North 73RD Street
 Milwaukee, WI 53223

Telephone (414) 354-2310
 Fax (414) 354-6664

DISTRIBUTOR		TEL	
		FAX	
CUSTOMER			
VIN		DATE BUILT	
SELECT MOUNT TYPE	<input type="checkbox"/> UniMount [®]	<input type="checkbox"/> UltraMount [®]	<input type="checkbox"/> Conversion Kit

VEHICLE INFORMATION

YEAR	
MAKE	
MODEL	
DRIVE TRAIN	<input type="checkbox"/> 2WD <input type="checkbox"/> 4WD <input type="checkbox"/> ALL WHEEL <input type="checkbox"/> OTHER
DRW (Dual Rear Wheels)	<input type="checkbox"/> YES <input type="checkbox"/> NO
BODY STYLE	<input type="checkbox"/> REG CAB <input type="checkbox"/> X-CAB <input type="checkbox"/> OTHER
BOX OPTION (S)	<input type="checkbox"/> DUMP BOX <input type="checkbox"/> STAKE BED <input type="checkbox"/> OTHER
ENGINE TYPE	
GFAWR	
GRAWR	
GVWR	

HORIZONTAL DISTANCE DESCRIPTION

L31	DRIVERS hip point; in MIDDLE position, to Centerline of FRONT axle	(in.)
L101	Between axles (Wheelbase)	(in.)
L104	Middle of FRONT bumper to centerline of FRONT axle	(in.)
	Middle of ballast location to centerline of REAR axle	(in.)

VEHICLE WEIGHT (TRUCK MUST BE WEIGHED COMPLETE AND EMPTY (-) PLOW & MOUNT)

FRONT (lb)		REAR (lb)	
------------	--	-----------	--

FUEL TANKS (ONLY NEEDED IF WEIGHED VEHICLE NOT FULLY FUELED)

	LEVEL (see below)	CAPACITY (gal.)	LOCATION FROM AXLE TO CENTER OF TANK(in.)
FRONT OF AXLE			
REAR OF AXLE			

FUEL LEVEL (EMPTY = 0, HALF = 1/2, FULL = 1)

THIS FORM MUST BE COMPLETED IN ITS ENTIRETY. ANY FORMS CONTAINING INCOMPLETE INFORMATION WILL NOT BE CONSIDERED. PLEASE RETURN VIA FAX (414) 354-6664.

This form is for use with: 4WD (Four Wheel Drive) Chassis Cabs w/ minimum of 8,500 lb.GVWR or 2WD (Two Wheel Drive) Chassis Cabs w/ minimum of 10,000 lb.GVWR.

WESTERN PRODUCTS and the vehicle manufacturer may require or recommend optional equipment for snow removal. See the WESTERN PRODUCTS Selection List for additional product information.

