

2002 & EARLIER



UniMount[®]
SYSTEM

SELECTION LIST

----- **REVISION 1** -----

Form #64134-111502

WESTERN PRODUCTS • P.O. BOX 245038 • MILWAUKEE, WISCONSIN 53224-9538

 A Division of Douglas Dynamics, L.L.C.

Printed in the U.S.A.

The following are registered trademarks of Douglas Dynamics, L.L.C.: WESTERN[®], UniMount[®], and MVP[®].

Western Products reserves the right under its product improvement policy to change construction or design details and furnish equipment when so altered without reference to illustrations or specifications used herein. Western Products and the vehicle manufacturer may require and/or recommend optional equipment for snow removal.

CONTENTS



ABOUT THE SELECTION LIST	iii
VEHICLE LAMP IDENTIFICATION GUIDE	iv
DEFINITIONS	v
HOW TO USE THE SELECTION LIST	vi
INSTRUCTIONS FOR VEHICLES WITH DIFFERENT FGAWR's	vii
1 CHEVY / GMC	1
2 DODGE	21
3 FORD (SPRING CHART).....	33
3 FORD	34
4 FORD 450 & 550 SUPERDUTY.....	52
5 OTHER	
5.1 JEEP	59
5.2 TOYOTA	59
7 UNIVERSAL	61
WEIGHT AND DIMENSIONAL CHART	65
DIMENSIONAL DIAGRAM	66
UltraMount® to UniMount® Conversion Kit	67
VEHICLE AND PLOW APPLICATION INQUIRY SHEET	69

2002-EARLIER UniMount[®] SELECTION LIST

Western Snowplows' published vehicle recommendations are based on the following:

- Compliance with the vehicle manufacturer's stated gross vehicle and axle weight ratings (found on the driver side door jam of the vehicle) and front and rear weight distribution ratio with the snowplow installed. In some cases, rear ballast may be required to achieve these requirements.
- Available capacity for the snowplow equipment is based on a representative vehicle as configured by the original vehicle manufacturer. Available capacity decreases as the vehicle is loaded with cargo or by the installation of other truck equipment or accessories. If there is uncertainty as to whether available capacity exists, the actual vehicle as configured must be weighed. For more information, see the weight and dimensional chart located at the end of the Selection List.
- Installation, modifications and addition of accessories must comply with published Western Products recommendations and instructions.
- Compliance with applicable FMVSS (Federal Motor Vehicle Safety Standards) must be met.
- In some cases, there may be additional limitations and requirements such as special vehicle options and specifications, or air bags/lift kits.

You will see more specific requirements listed as you use the Selection List to identify plow vehicles including: body style, engine size, ballast requirements, and minimum front gross axle weight ratings (FGAWR).

Discuss the following topics with each of your plowing customers and prospective plow purchasers.

BALLAST

Ballast is an important part of qualifying vehicles for plow eligibility. Rear ballast must be used when recommended to remain in compliance with axle ratings and ratios as specified by the vehicle manufacturer. If ballast is required, it is important that it be secured properly behind the rear axle.

A ballast retainer kit is available from Western Products, part #62849.

PLOWING RECOMMENDATIONS

It is also important to remember that in all plowing applications, Western Products recommends only the driver in the vehicle.

Although plowing conditions can vary widely, as a general guideline Western Products recommends the maximum plowing speed of 10 mph and the maximum recommended transport speed of 45 mph.

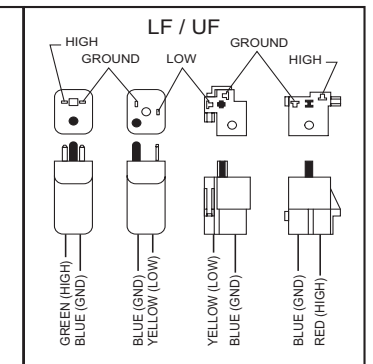
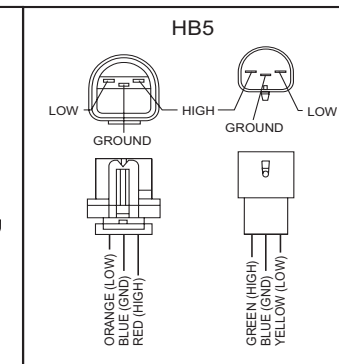
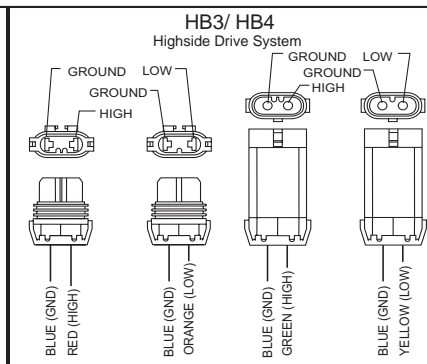
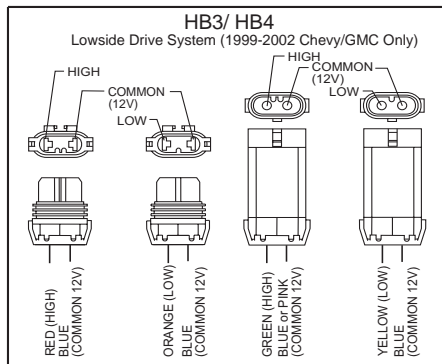
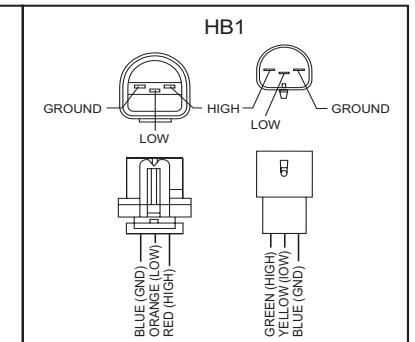
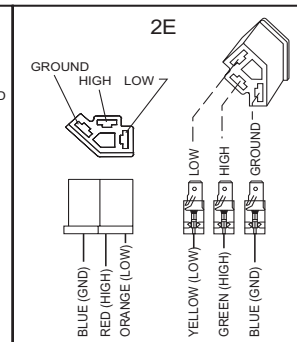
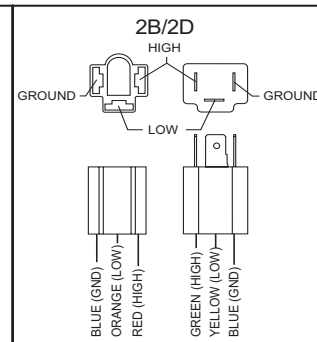
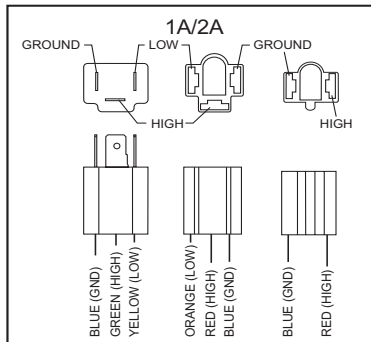
VEHICLE LAMP IDENTIFICATION GUIDE

NOTE: The lamp type is usually embossed in the headlamp lens.

NOTE: Blue ground wires may be LT or DK BLUE, w/ or w/o WHT stripe, depending on harness.

Headlamp Type	Bulb Type
LF	H4703
UF	H4701
1A1	H4651
2A1	H4652(Chevy/GMC)
2B1	H6054
2D1	H6024
2E1	H6545
HB1	9004
HB3	9005
HB4	9006
HB5	9007

LAMP TYPE	LAMP SIZE	CONFIGURATION	DESCRIPTION
1A / 2A	4" x 6.5"		Quad Rectangular Lamp
2B	5.5" x 7.88"		Dual Rectangular Lamp
2D	7" DIA.		Dual Round Lamp
2E	4" x 6.5"		Dual Rectangular (Small Halogen Lamp)
HB1	Can Vary		Dual Rectangular Halogen Lamp
HB3 / HB4	Can Vary		Quad Composite Halogen Lamp
HB5	Can Vary		Dual Rectangular Halogen Lamp
LF / UF	3.64" x 5.93"		Quad Rectangular Halogen Lamp



PLOW TYPE	BLADE TYPE	BLADE SIZES
U - UniMount [®] plow	SU - Sport/Utility*	6.5 - 6-1/2'
	LSX - Light Service	7.0 - 7'
	S - Standard	7.2 - 7' 2"
	SY - Standard Poly	7.5 - 7-1/2'
	P - Pro-Plow [™]	8.0 - 8'
	PY - Poly Pro-Plow [™]	8.5 - 8-1/2'
	HW - Heavy Weight	9.0 - 9'
MVP [®] - MultiPosition V-plow	9.5 - 9-1/2'	
		10.0 - 10'

*For non-commercial use only

ASSEMBLIES	DEFINITION
BLADE ASSEMBLY	UniMount [®] blade (except MVP [®] blade) MVP [®] blade and A-frame
ATTACHMENT ASSEMBLY	UniMount [®] A-frame, quadrant & lift frame (except MVP [®] blade) MVP [®] lift frame

ABBREVIATION	DESCRIPTION
2WD	Two wheel drive
4x4	Four wheel drive
A,Q&L	A-frame, quadrant & lift frame
B	Ballast required
DRL	Daytime running lights
DRW	Dual rear wheels
FGAWR	Front gross axle weight rating
GVWR	Gross vehicle weight rating
HD	Heavy duty
HW	Heavy Weight
HYD	Hydraulic
L	Lift frame
LSX	Light Service
MIN	Minimum
MVP [®]	MultiPosition V-plow
N	No
O	Plow option
P	Pro-Plow [™]
PKG	Package
PY	Poly Pro-Plow [™]
REQ	Required
S	Standard
SU	Sport/Utility*
SUSP	Suspension
SY	Standard Poly
U	UniMount [®] plow
W	With
W/O	Without
X-CAB	Extended cab vehicle
Y	Yes

HOW TO USE THE SNOWPLOW SELECTION LIST

Determining plow options:

- 1.) Locate vehicle by make, 4 wheel (4x4) or 2 wheel (2WD) drive, model, year and body style (columns 1 through 3)
- 2.) Column 4 labeled "OTHER" will list other requirements or modifications if needed for plow compatibility.
- 3.) Verify that vehicle meets any engine and FGAWR (front gross axle weight rating) (columns 5 and 6). FGAWR can be found on the driver side door jam.
- 4.) Identify vehicle headlamp type and whether or not it is DRL (Daytime Running Lights) equipped (columns 7 and 8) By answering the DRL question, you have now narrowed your choices down to one row.
- 5.) Reading across, you will first see the plow model number and type letter code (column 9) U - UniMount® Plow followed by the recommended plow options and ballast requirements available for that vehicle (columns 10 through 35).
- 6.) Once you have determined which plow option you want, use the letters in the appropriate box along with the plow model number (in this example 1585) and turn to the component list found at the end of each manufacturer's section to find the individual component numbers that make up that plow. You may order two ways:
 A) By complete plow using the complete plow code. (example: ordering a 1585AG will fill the order for a 62330, 62110, 62120, 56365, 61540-1, 61545, 61584)
 B) By *individual component* using the corresponding part numbers. (example: ordering just the 62110, you are ordering the 7.5' Standard Poly blade.)
- 7) If "NO PLOW DRLS" is found in the DRL KIT column of the component list, the DRL (Daytime Running Lights) will still work on those vehicles when the plow is attached but the plow lights will not function as DRL. This only affects CHEVY/GMC 1988-1995 C/K trucks equipped w/ DRL.
- 8) Vehicle information that is highlighted in BLACK indicates a change since the last revision of selection list.
- 9) Vehicles with a ? in the ballast columns indicate that there is a mount available for that vehicle but one must weigh completed vehicle to determine plow size and ballast. See "Weight and Dimensional Chart" at end of selection list along with Body Builders Guides for necessary vehicle information.

Col. 1	Col. 2	Col. 3	Col. 4	Col. 5	Col. 6	Col. 7	Col. 8	Col. 9.	Columns 10-29																					
CHEVY/GMC																														
FOUR WHEEL DRIVE Vehicle Options				Plow Options (O) and Ballast Required (B)																										
MODEL/ CHASSIS	YEAR	BODY STYLE	OTHER	ENGINE(S)	MIN FGAWR	HEAD LAMP	DRL ?	PLOW MODEL	LSX 7.2	S 7.5	SY 7.5	P 7.5	PY 7.5	P 8.0	PY 8.0	P 8.5	P 9.0	MVP 8.5												
NEW BODY STYLE SILVERADO/SIERRA K1500 Pick-up 4x4 (Bumper notching required)	2001	Reg Cab	6.5' Box Z85 or Snowplow prep. package recommended	4.3L V6	3925	HB3/HB4	Y	3515 U	AJ	250	AA	350	AB	400	AC	400	AD	450	AE	450	AF	450	AG	450						
					3600	HB3/HB4	Y		AJ	250	AA	350	AB	400	AC	400	AD	450	AE	450	AF	450	AG	450						
					3925	HB3/HB4	Y		AJ	300	AA	400	AB	400	AC	450	AD	500	AE	450	AF	500	AG	500						
					3600	HB3/HB4	Y		AJ	300	AA	400	AB	400	AC	600			AE	700										

CHEVY/GMC										
COMPLETE PLOW			COMPONENT NUMBERS							
MODEL	OPTION	BLADE SIZE	MOUNT ASSEMBLY	BLADE ASSEMBLY	ATTACHMENT ASSEMBLY	HYDRAULIC ASSEMBLY	LAMP KIT	HARNESS KIT	DRL KIT	
3515 UNIMOUNT® PLOW	AA	S 7.5	63300	60018	61720	56365	61540-1	63392	----	
	AB	SY 7.5	63300	62110	62120	56365	61540-1	63392	----	
	AC	P 7.5	63300	60381	63568	56365	61540-1	63392	----	
	AD	PY 7.5	63300	62400	63568	56365	61540-1	63392	----	
	AE	P 8.0	63300	60390	63568	56365	61540-1	63392	----	
	AF	PY 8.0	63300	62450	63568	56365	61540-1	63392	----	
	AG	P 8.5	63300	60308	63568	56365	61540-1	63392	----	
	AH	P 9.0	63300	60655	63568	56365	61540-1	63392	----	
	AI	MVP® 8.5	63300	62600	62650	66587	66640-2	63394	63392	----
	AJ	LSX 7.2	63300	63472	63470	56545	61540-1	63392	63392	----

Instructions for Vehicles with Different Front Gross Axle Weight Ratings (FGAWR)

1. Calculate the change in ballast required for alternate FGAWR's using the following formula:

$$\text{Additional Ballast} = (R1 - R2) \times L101 \div (L105 - 14)$$

Key:

R1 = FGAWR as found in the Selection List.

R2 = FGAWR as indicated on rating label found on the driver-side vehicle door cornerpost.

L101 = vehicle's wheelbase

L105 = distance from the rear axle to the tailgate's rear surface

2. When R2 is higher than R1, the ballast calculated above can be removed from the amount specified in the Selection List. When R1 is higher than R2, the ballast calculated above must be added to the amount specified in the Selection List.



Do not exceed GVWR or GAWR, including blade and ballast. The rating label is found on the driver-side vehicle door cornerpost

NOTE: When ballast is required, it should be secured behind the rear wheels in a manner which prevents it from sliding during normal driving. Western Products offers an optional ballast retainer kit (62849) for this purpose.

NOTE: New UNTITLED vehicle installation of a snow plow requires National Highway Traffic Safety Administration altered vehical certification certification labeling. Installer to verify that selected snow plow and ballast, if required, do not exceed GVWR or GAWR rating label.

CHEVY/GMC

FOUR WHEEL DRIVE Vehicle Options										Plow Options (O) and Ballast Required (B)															
MODEL/ CHASSIS	YEAR	BODY STYLE	OTHER	ENGINE(S)	MIN FGAWR	HEAD LAMP	DRL ?	PLOW MODEL	LSX 7.2	S 7.5	SY 7.5	P 7.5	PY 7.5	P 8.0	PY 8.0	P 8.5	P 9.0	MVP 8.5							
									O	B	O	B	O	B	O	B	O	B	O	B					
SUBURBAN/YUKON XL 2500 4x4 (Continued)	1992-1995			5.7L V8	4250	2B	Y	1585 U	CW	0	AC	0	AI	0	AO	0	AU	0	BA	0	CI	0			
						HB3/HB4	Y		CX	0	AE	0	AK	0	AQ	0	AW	0	BC	0	CK	0			
							N		CY	0	AF	0	AL	0	AR	0	AX	0	BD	0	CL	0			
				7.4L V8	4250	2B	Y		CW	0	AC	0	AI	0	AO	0	AU	0	BA	0	CI	0			
				HB3/HB4	Y	CX	0		AE	0	AK	0	AQ	0	AW	0	BC	0	CK	0					
					N	CY	0		AF	0	AL	0	AR	0	AX	0	BD	0	CL	0					
	1981-1991				5.7L V8	3700	2B	Y	1515 U	BD	200														
							LF/UF	Y		BE	200														
								N		BF	200														
					1A/2A	Y	BG	200																	
						N	BH	200																	
K-BLAZER / V-BLAZER K-JIMMY / V-JIMMY 4x4	1981-1991		F60 Suspension required	5.0L V8	3300	2B	Y	1515 U	BD	300															
						LF/UF	Y		BE	300															
							N		BF	300															
						1A/2A	Y		BG	300															
TAHOE/YUKON 4x4	2000-2002	4 DOOR ONLY		4.8L V8	3600	HB3/HB4	Y	3515 U	AJ	0	AA	300													
				5.3L V8	3600	HB3/HB4	Y		AJ	0	AA	250													
	1999	2 DOOR ONLY	F60 Suspension required	5.7L V8	3925	2B	Y	1585 U	CT	0	AA	100	AG	150	AM	200	AS	250	AY	200	BQ	250			
						HB3/HB4	Y		CU	0	AB	100	AH	150	AN	200	AT	250	AZ	200	CF	250			
	1998	2 DOOR ONLY	F60 Suspension required	5.7L V8	3925	2B	Y	1585 U	CT	0	AA	100	AG	150	AM	200	AS	250	AY	200	BQ	250			
						HB3/HB4	Y		CU	0	AB	100	AH	150	AN	200	AT	250	AZ	200	CF	250			
	1997	2 DOOR ONLY	F60 Suspension required	5.7L V8	3925	2B	Y	1585 U	CT	0	AA	0	AG	50	AM	100	AS	150	AY	100	BQ	150			
						HB3/HB4	Y		CU	0	AB	0	AH	50	AN	100	AT	150	AZ	100	CF	150			
	6.5L V8 DIESEL	3925					2B	Y	1585 U	CT	50														
							HB3/HB4	Y		CU	50														
	1996	2 DOOR ONLY	F60 Suspension required	5.7L V8	3925	2B	Y	1585 U	CT	0	AA	50	AG	50	AM	100	AS	150	AY	150	BQ	150			
						HB3/HB4	Y		CU	0	AB	50	AH	50	AN	100	AT	150	AZ	150	CF	150			
6.5L V8 DIESEL	3925					2B	Y	1585 U	CT	150															
						HB3/HB4	Y		CU	150															
1992-1995			F60 Suspension required	5.7L V8	3925	2B	Y	1585 U	CW	0	AC	0	AI	0	AO	50	AU	100	BA	100	CI	100			
						HB3/HB4	Y		CX	0	AE	0	AK	0	AQ	50	AW	100	BC	100	CK	100			
							N		CY	0	AF	0	AL	0	AR	50	AX	100	BD	100	CL	100			
				6.5L V8 DIESEL	3925	2B	Y		CW	0	AC	200													
									HB3/HB4	Y	CX	0	AE	200											
										N	CY	0	AF	200											
SIERRA DENALI	2002	X-Cab		6.0L V8	3600	HB3/HB4	Y	3515 U	AJ	100															
SIERRA C3 4x4	2001	X-Cab		5.3L V8	3600	HB3/HB4	Y	3515 U	AJ	300	AA	400	AB	450	AC	500	AD	500	AE	500	AF	550			
SILVERADO/SIERRA K1500 Pick-up 4x4 (Bumper notching required)	2002	Reg Cab	6.5' Box Z85 or Snowplow prep. package recommended	4.3L V6	3925	HB3/HB4	Y	3515 U	AJ	200	AA	350	AB	350	AC	400	AD	450	AE	400	AF	450			
				4.8L V8	3925	HB3/HB4	Y		AJ	200	AA	300	AB	350	AC	400	AD	450	AE	400	AF	450			
				5.3L V8	3925	HB3/HB4	Y		AJ	200	AA	300	AB	350	AC	400	AD	450	AE	400	AF	450			
				8.0' Box Z85 or Snowplow prep. package recommended	4.3L V6	3925	HB3/HB4		Y	AJ	200	AA	300	AB	350	AC	350	AD	400	AE	400	AF	400		
				4.8L V8	3925	HB3/HB4	Y		AJ	200	AA	300	AB	300	AC	350	AD	400	AE	350	AF	400			
				5.3L V8	3925	HB3/HB4	Y		AJ	200	AA	300	AB	300	AC	350	AD	400	AE	350	AF	400			
		X-Cab	6.5' Box Min. 6,800 lb. GVWR Z85 or Snowplow prep. package recommended	4.8L V8	3925	HB3/HB4	Y	AJ	250	AA	350	AB	350	AC	400	AD	450	AE	400	AF	450				
				5.3L V8	3925	HB3/HB4	Y	AJ	200	AA	300	AB	350	AC	400	AD	500	AE	400	AF	550				
				4.8L V8	3925	HB3/HB4	Y	AJ	250	AA	350	AB	350	AC	400	AD	450	AE	400	AF	450				
				5.3L V8	3925	HB3/HB4	Y	AJ	200	AA	300	AB	350	AC	400	AD	500	AE	400	AF	450				
				8.0' Box Z85 or Snowplow prep. package recommended	4.8L V8	3925	HB3/HB4	Y	AJ	150	AA	250	AB	300	AC	300	AD	350	AE	350	AF	350			
				5.3L V8	3925	HB3/HB4	Y	AJ	150	AA	250	AB	300	AC	300	AD	350	AE	350	AF	350				

CHEVY/GMC

FOUR WHEEL DRIVE Vehicle Options				Plow Options (O) and Ballast Required (B)																													
MODEL/ CHASSIS	YEAR	BODY STYLE	OTHER	ENGINE(S)	MIN FGAWR	HEAD LAMP	DRL ?	PLOW MODEL	LSX 7.2		S 7.5		SY 7.5		P 7.5		PY 7.5		P 8.0		P 8.5		P 9.0		MVP 8.5								
									O	B	O	B	O	B	O	B	O	B	O	B	O	B	O	B	O	B							
"CLASSIC" STYLE K1500 Pick-up 4x4	1998	Reg Cab	6.5' Box F60 or Snowplow prep. package recommended	4.3L V6	3925	2B	Y	1585 U	CT	350	AA	500	AG	500	AM	550	AS	600															
					3600	2B	Y		CU	350	AB	500	AH	500	AN	550	AT	600															
						HB3/HB4	Y		CT	350	AA	500	AG	700																			
					HB3/HB4	Y	CU		350	AB	500	AH	700																				
					HB3/HB4	Y	CT		350	AA	500	AG	500	AM	500	AS	500																
					HB3/HB4	Y	CU		350	AB	500	AH	500	AN	500	AT	500																
					HB3/HB4	Y	CT		350																								
					HB3/HB4	Y	CU		350																								
					HB3/HB4	Y	CT		350	AA	500	AG	500	AM	550	AS	500																
					HB3/HB4	Y	CU		350	AB	500	AH	500	AN	550	AT	500																
					HB3/HB4	Y	CT		350																								
					HB3/HB4	Y	CU		350																								
					HB3/HB4	Y	CT		350	AA	500	AG	500	AM	500	AS	500																
					HB3/HB4	Y	CU		350	AB	500	AH	500	AN	500	AT	500																
					HB3/HB4	Y	CT		350																								
			HB3/HB4	Y	CU	350																											
			HB3/HB4	Y	CT	350	AA	500	AG	500	AM	500	AS	500																			
			HB3/HB4	Y	CU	350	AB	500	AH	500	AN	500	AT	500																			
			HB3/HB4	Y	CT	350																											
			HB3/HB4	Y	CU	350																											
			HB3/HB4	Y	CT	350	AA	500	AG	500	AM	500	AS	500																			
			HB3/HB4	Y	CU	350	AB	500	AH	500	AN	500	AT	500																			
			HB3/HB4	Y	CT	350																											
			HB3/HB4	Y	CU	350																											
			HB3/HB4	Y	CT	350	AA	500	AG	500	AM	500	AS	500																			
			HB3/HB4	Y	CU	350	AB	500	AH	500	AN	500	AT	500																			
			HB3/HB4	Y	CT	350																											
			HB3/HB4	Y	CU	350																											
			HB3/HB4	Y	CT	350	AA	500	AG	500	AM	500	AS	500																			
			HB3/HB4	Y	CU	350	AB	500	AH	500	AN	500	AT	500																			
		HB3/HB4	Y	CT	350																												
		HB3/HB4	Y	CU	350																												
		HB3/HB4	Y	CT	350	AA	500	AG	500	AM	500	AS	500																				
		HB3/HB4	Y	CU	350	AB	500	AH	500	AN	500	AT	500																				
		HB3/HB4	Y	CT	350																												
		HB3/HB4	Y	CU	350																												
		HB3/HB4	Y	CT	350	AA	500	AG	500	AM	500	AS	500																				
		HB3/HB4	Y	CU	350	AB	500	AH	500	AN	500	AT	500																				
		HB3/HB4	Y	CT	350																												
		HB3/HB4	Y	CU	350																												
		HB3/HB4	Y	CT	350	AA	500	AG	500	AM	500	AS	500																				
		HB3/HB4	Y	CU	350	AB	500	AH	500	AN	500	AT	500																				
		HB3/HB4	Y	CT	350																												
		HB3/HB4	Y	CU	350																												
		HB3/HB4	Y	CT	350	AA	500	AG	500	AM	500	AS	500																				
		HB3/HB4	Y	CU	350	AB	500	AH	500	AN	500	AT	500																				
		HB3/HB4	Y	CT	350																												
		HB3/HB4	Y	CU	350																												
		HB3/HB4	Y	CT	350	AA	500	AG	500	AM	500	AS	500																				
		HB3/HB4	Y	CU	350	AB	500	AH	500	AN	500	AT	500																				
		HB3/HB4	Y	CT	350																												
		HB3/HB4	Y	CU	350																												
		HB3/HB4	Y	CT	350	AA	500	AG	500	AM	500	AS	500																				
		HB3/HB4	Y	CU	350	AB	500	AH	500	AN	500	AT	500																				
		HB3/HB4	Y	CT	350																												
		HB3/HB4	Y	CU	350																												
		HB3/HB4	Y	CT	350	AA	500	AG	500	AM	500	AS	500																				
		HB3/HB4	Y	CU	350	AB	500	AH	500	AN	500	AT	500																				
		HB3/HB4	Y	CT	350																												
		HB3/HB4	Y	CU	350																												
	HB3/HB4	Y	CT	350	AA	500	AG	500	AM	500	AS	500																					
	HB3/HB4	Y	CU	350	AB	500	AH	500	AN	500	AT	500																					
	HB3/HB4	Y	CT	350																													
	HB3/HB4	Y	CU	350																													
	HB3/HB4	Y	CT	350	AA	500	AG	500	AM	500	AS	500																					
	HB3/HB4	Y	CU	350	AB	500	AH	500	AN	500	AT	500																					
	HB3/HB4	Y	CT	350																													

CHEVY/GMC

FOUR WHEEL DRIVE Vehicle Options

Plow Options (O) and Ballast Required (B)

MODEL/ CHASSIS	YEAR	BODY STYLE	OTHER	ENGINE(S)	MIN FGAWR	HEAD LAMP	DRL ?	PLOW MODEL	Plow Options (O) and Ballast Required (B)																										
									LSX 7.2		S 7.5		SY 7.5		P 7.5		PY 7.5		P 8.0		P 8.5		P 9.0		MVP 8.5										
									O	B	O	B	O	B	O	B	O	B	O	B	O	B	O	B	O	B	O	B							
"CLASSIC" STYLE K1500 Pick-up 4x4 (continued)	1988-1995 (continued)	Reg Cab (continued)	6.5' Box F60 or Snowplow prep. package recommended (continued)	5.0L V8	3925	2B	Y	1585 U	CV	300	AC	400	AI	450	AO	500	AU	550	BA	500	CI	550													
									CW	300	AD	400	AJ	450	AP	500	AV	550	BB	500	CJ	550													
									CX	300	AE	400	AK	450	AQ	500	AW	550	BC	500	CK	550													
									CY	300	AF	400	AL	450	AR	500	AX	550	BD	500	CL	550													
									CZ	300	BR	400	BT	450	BV	500	BX	550	BZ	500	CM	550													
					DA	300	BS		400	BU	450	BW	500	BY	550	CA	500	CN	550																
					3600	2B	Y		CV	300	AC	400	AI	500																					
					CW				300	AD	400	AJ	500																						
					CX				300	AE	400	AK	500																						
					CY				300	AF	400	AL	500																						
				CZ	300				BR	400	BT	500																							
				5.7L V8	3925	2B	Y		CV	300	AC	400	AI	450	AO	500	AU	550	BA	500	CI	550													
				CW					300	AD	400	AJ	450	AP	500	AV	550	BB	500	CJ	550														
				CX					300	AE	400	AK	450	AQ	500	AW	550	BC	500	CK	550														
				CY					300	AF	400	AL	450	AR	500	AX	550	BD	500	CL	550														
				CZ					300	BR	400	BT	450	BV	500	BX	550	BZ	500	CM	550														
				3600	2B	Y	CV		300	AC	400	AI	450	AO	750																				
				CW			300		AD	400	AJ	450	AP	750																					
				CX			300		AE	400	AK	450	AQ	750																					
				CY			300		AF	400	AL	450	AR	750																					
	CZ	300	BR	400			BT	450	BV	750																									
	4.3L V6	3925	2B	Y	CV	50	AC	150	AI	200	AO	250	AU	300	BA	250	CI	300																	
	CW				50	AD	150	AJ	200	AP	250	AV	300	BB	250	CJ	300																		
	CX				50	AE	150	AK	200	AQ	250	AW	300	BC	250	CK	300																		
	CY				50	AF	150	AL	200	AR	250	AX	300	BD	250	CL	300																		
	CZ				50	BR	150	BT	200	BV	250	BX	300	BZ	250	CM	300																		
	3600	2B	Y	CV	50	AC	150	AI	200	AO	250	AV	300	BA	250	CI	300																		
	CW			50	AD	150	AJ	200	AP	250	AU	300	BB	250	CJ	300																			
	CX			50	AE	150	AK	200	AQ	250	AW	300	BC	250	CK	300																			
	CY			50	AF	150	AL	200	AR	250	AX	300	BD	250	CL	300																			
	CZ			50	BR	150	BT	200	BV	250	BX	300	BZ	250	CM	300																			
	5.0L V8	3925	2B	Y	CV	100	AC	200	AI	250	AO	300	AU	350	BA	300	CI	350																	
	CW				100	AD	200	AJ	250	AP	300	AV	350	BB	300	CJ	350																		
	CX				100	AE	200	AK	250	AQ	300	AW	350	BC	300	CK	350																		
	CY				100	AF	200	AL	250	AR	300	AX	350	BD	300	CL	350																		
	CZ				100	BR	200	BT	250	BV	300	BX	350	BZ	300	CM	350																		
	3600	2B	Y	CV	100	AC	200	AI	250	AO	350			BA	500																				
	CW			100	AD	200	AJ	250	AP	350					BB	500																			
	CX			100	AE	200	AK	250	AQ	350					BC	500																			
	CY			100	AF	200	AL	250	AR	350					BD	500																			
	CZ			100	BR	200	BT	250	BV	350					BZ	500																			
	5.7L V8	3925	2B	Y	CV	100	AC	200	AI	250	AO	300	AU	350	BA	300	CI	350																	
	CW				100	AD	200	AJ	250	AP	300	AV	350	BB	300	CJ	350																		
	CX				100	AE	200	AK	250	AQ	300	AW	350	BC	300	CK	350																		
	CY				100	AF	200	AL	250	AR	300	AX	350	BD	300	CL	350																		
	CZ				100	BR	200	BT	250	BV	300	BX	350	BZ	300	CM	350																		
	3600	2B	Y	CV	100	AC	200	AI	250	AO	350			BA	500																				
	CW			100	AD	200	AJ	250	AP	350					BB	500																			
	CX			100	AE	200	AK	250	AQ	350					BC	500																			
	CY			100	AF	200	AL	250	AR	350					BD	500																			
	CZ			100	BR	200	BT	250	BV	350					BZ	500																			
	6.5L Diesel	3925	2B	Y	CV	300									CA	500																			
	CW				300																														
	CX				300																														
	CY				300																														
	CZ				300																														
	1981-1986	Reg Cab	6.5' Box	Front frame horns must be removed and re-attached	4.3L V6	3550	2B	N	1515 U	BE	350	AC	450	AH	500	AM	500	AS	600	BA	550	BI	650												
	BH									350	AF	450	AK	500	AP	500	AT	600	BB	550	BJ	650													
	5.0L V8				3550	2B	N	BE		350	AC	450	AH	500	AM	750			BA	850															
	BH							350		AF	450	AK	500	AP	750			BB	850																
	1973-1980	Reg Cab	6.5' Box	Front frame horns must be removed and re-attached	4.3L V6	3550	2B	N	1515 U	BE	350	AC	450	AH	500	AM	500	AS	600	BA	550	BI	650												
	BH									350	AF	450	AK	500	AP	500	AT	600	BB	550	BJ	650													
	5.0L V8				3550	2B	N	BE		350	AC	450	AH	500	AM	750			BA	850															
	BH							350		AF	450	AK	500	AP	750			BB	850																

CHEVY/GMC

FOUR WHEEL DRIVE Vehicle Options

Plow Options (O) and Ballast Required (B)

MODEL/ CHASSIS	YEAR	BODY STYLE	OTHER	ENGINE(S)	MIN FGAWR	HEAD LAMP	DRL ?	PLOW MODEL	Plow Options (O) and Ballast Required (B)																			
									LSX 7.2		S 7.5		SY 7.5		P 7.5		PY 7.5		P 8.0		P 8.5		P 9.0		MVP 8.5			
									O	B	O	B	O	B	O	B	O	B	O	B	O	B	O	B	O	B	O	B
"CLASSIC" STYLE K2500 Pick-up 4x4 (continued)	1998	Reg Cab	F60 or Snowplow prep. package recommended	5.7L V8	4500	2B	Y	1585 U	CT	300	AA	400	AG	400	AM	450	AS	500	AY	450	BQ	500	BE	500	BK	500	CG	600
									CU	300	AB	400	AH	400	AN	450	AT	500	AZ	450	CF	500	BF	500	BL	500	CH	600
									CT	300	AA	400	AG	400	AM	450	AS	500	AY	450	BQ	500	BE	500	BK	500		
				CU	300	AB	400		AH	400	AN	450	AT	500	AZ	450	CF	500	BF	500	BL	500						
				CT	350	AA	450		AG	500	AM	500	AS	550	AY	550	BQ	550	BE	550	BK	550						
				CU	350	AB	450		AH	500	AN	500	AT	550	AZ	550	CF	550	BF	550	BL	550						
				CT	350	AA	800		AG	1000																		
				CU	350	AB	800		AH	1000																		
				CT	300	AA	400		AG	400	AM	450	AS	500	AY	450	BQ	500	BE	500	BK	550						
		CU	300	AB	400	AH	400	AN	450	AT	500	AZ	450	CF	500	BF	500	BL	550									
		CT	300	AA	800	AG	1000																					
		CU	300	AB	800	AH	1000																					
		CT	200	AA	300	AG	350	AM	400	AS	450	AY	400	BQ	450	BE	400	BK	450									
		CU	200	AB	300	AH	350	AN	400	AT	450	AZ	400	CF	450	BF	400	BL	450									
		CT	200	AA	300	AG	350	AM	400	AS	500	AY	400	BQ	550	BE	450	BK	600									
		CU	200	AB	300	AH	350	AN	400	AT	500	AZ	400	CF	550	BF	450	BL	600									
		CT	250	AA	400	AG	400	AM	450	AS	550	AY	450	BQ	600	BE	500	BK	650									
		CU	250	AB	400	AH	400	AN	450	AT	550	AZ	450	CF	600	BF	500	BL	650									
	CT	250	AA	950																								
	CU	250	AB	950																								
	CT	200	AA	300	AG	300	AM	350	AS	400	AY	350	BQ	400	BE	350	BK	400	CG	450								
	CU	200	AB	300	AH	300	AN	350	AT	400	AZ	350	CF	400	BF	350	BL	400	CH	450								
	CT	200	AA	300	AG	400	AM	750	AS	950	AY	800	BQ	1000	BE	950												
	CU	200	AB	300	AH	400	AN	750	AT	950	AZ	800	CF	1000	BF	950												
	CT	250	AA	350	AG	400	AM	700	AS	950	AY	800	BQ	1000	BE	900												
	CU	250	AB	350	AH	400	AN	700	AT	950	AZ	800	CF	1000	BF	900												
	CT	700																										
	CU	700																										
	CT	300	AA	650	AG	850																						
	CU	300	AB	650	AH	850																						
	1997	Reg Cab	8' Box F60 or Snowplow prep. package recommended	5.7L V8	4250	2B	Y	1585 U	CT	150	AA	250	AG	250	AM	300	AS	350	AY	350	BQ	350	BE	350	BK	350	CG	500
									CU	150	AB	250	AH	250	AN	300	AT	350	AZ	350	CF	350	BF	350	BL	350	CH	500
									CT	200	AA	300	AG	350	AM	600	AS	850	AY	700	BQ	900	BE	800	BK	950		
			CU	200	AB	300	AH		350	AN	600	AT	850	AZ	700	CF	900	BF	800	BL	950							
			CT	250	AA	700	AG		900																			
			CU	250	AB	700	AH		900																			
CT			200	AA	300	AG	350		AM	350	AS	400	AY	400	BQ	400	BE	400	BK	450	CG	1000						
CU			200	AB	300	AH	350		AN	350	AT	400	AZ	400	CF	400	BF	400	BL	450	CH	1000						
CT			250	AA	550	AG	800																					
CU		250	AB	550	AH	800																						
CT		250	AA	950																								
CU		250	AB	950																								
CT		150	AA	250	AG	250	AM	450	AS	700	AY	550	BQ	750	BE	650	BK	800										
CU		150	AB	250	AH	250	AN	450	AT	700	AZ	550	CF	750	BF	650	BL	800										
1996		Reg Cab	F60 or Snowplow prep. package recommended	5.7L V8	4250	2B	Y	1585 U	CT	150	AA	250	AG	300	AM	300	AS	350	AY	350	BQ	350	BE	350	BK	350	CG	500
									CU	150	AB	250	AH	300	AN	300	AT	350	AZ	350	CF	350	BF	350	BL	350	CH	500
									CT	200	AA	550	AG	700	AM	950												
		CU	200	AB	550	AH	700		AN	950																		
	CT	250	AA	350	AI	400	AO		450	AU	450	BA	450	CI	450	BG	450	BM	500	CO	550							
	CU	250	AB	350	AJ	400	AP		450	AV	450	BB	450	CJ	450	BH	450	BN	500	CP	550							
1988-1995	Reg Cab	Min. 8,600 lb. GVWR F60 or Snowplow prep. package recommended	5.7L V8	4250	2B	Y	1585 U	CX	250	AE	350	AK	400	AQ	450	AW	450	BC	450	CK	450	BI	450	BO	500	CQ	550	
								CY	250	AF	350	AL	400	AR	450	AX	450	BD	450	CL	450	BJ	450	BP	500	CQ	550	
								CZ	250	BR	350	BT	400	BV	450	BX	450	BZ	450	CM	450	CB	450	CD	500	CS	550	
					DA	250		BS	350	BU	400	BW	450	BY	450	CA	450	CN	450	CC	450	CE	500	CS	550			
					CV	550																						
					CW	550																						
					CX	550																						
					CY	550																						
					CZ	550																						
			DA	550																								
			CV	200	AC	300	AI	350	AO	350	AU	400	BA	400	CI	400	BG	400	BM	400	CO	500						
			CW	200	AD	300	AJ	350	AP	350	AV	400	BB	400	CJ	400	BH	400	BN	400	CP	500						
			CX	200	AE	300	AK	350	AQ	350	AW	400	BC	400	CK	400	BI	400	BO	400	CQ	500						
			CY	200	AF	300	AL	350	AR	350	AX	400	BD	400	CL	400	BJ	400	BP	400	CQ	500						
			CZ	200	BR	300	BT	350	BV	350	BX	400	BZ	400	CM	400	CB	400	CD	400	CS	500						
			DA	200	BS	300	BU	350	BW	350	BY	400	CA	400	CN	400	CC	400	CE	400	CS	500						
			CV	200	AC	650	AI	850																				
			CW	200	AD	650	AJ	850																				
CX	200	AE	650	AK	850																							
CY	200	AF	650	AL	850																							
CZ	200	BR	650	BT	850																							
DA	200	BS	650	BU	850																							

CHEVY/GMC

FOUR WHEEL DRIVE Vehicle Options

Plow Options (O) and Ballast Required (B)

MODEL/ CHASSIS	YEAR	BODY STYLE	OTHER	ENGINE(S)	MIN FGAWR	HEAD LAMP	DRL ?	PLOW MODEL	Plow Options (O) and Ballast Required (B)																							
									LSX 7.2		S 7.5		SY 7.5		P 7.5		PY 7.5		P 8.0		P 8.5		P 9.0		MVP 8.5							
									O	B	O	B	O	B	O	B	O	B	O	B	O	B	O	B	O	B	O	B				
SILVERADO/SIERRA K2500 HD Pick-up 4x4 (Bumper notching required) (continued)	2002 (continued)	Reg Cab (continued)	8.0' Box Min. 8,200 lb. GVWR Z85 or Snowplow prep. package recommended	6.0L V8	4800	HB3/HB4	Y	3525 U	AJ	250	AA	350	AB	350	AC	400	AD	450	AE	400	AF	450	AG	450	AH	450	AI	550				
					4500	HB3/HB4	Y		AJ	250	AA	350	AB	350	AC	400	AD	450	AE	400	AF	450	AG	450	AH	450	AI	550				
				4800	HB3/HB4	Y	AJ		150	AA	250	AB	300	AC	350	AD	350	AE	350	AF	400	AG	350	AH	400	AI	450					
				4500	HB3/HB4	Y	AJ		150	AA	250	AB	300	AC	350	AD	350	AE	350	AF	400	AG	350	AH	400	AI	450					
				4800	HB3/HB4	Y	AJ		150	AA	250	AB	300	AC	350	AD	350	AE	350	AF	400	AG	350	AH	400	AI	450					
			X-Cab	6.5' Box Min. 8,200 lb. GVWR Z85 or Snowplow prep. package recommended	6.0L V8	4500	HB3/HB4		Y	AJ	250	AA	350	AB	400	AC	400	AD	450	AE	450	AF	450	AG	450	AH	450	AI	550			
						4410	HB3/HB4		Y	AJ	250	AA	350	AB	400	AC	400	AD	450	AE	450	AF	450	AG	450	AH	450	AI	550			
					4800	HB3/HB4	Y		AJ	250	AA	350	AB	350	AC	400	AD	450	AE	400	AF	450	AG	450	AH	450	AI	850				
					4410	HB3/HB4	Y		AJ	250	AA	350	AB	350	AC	400	AD	600	AE	450	AF	650	AG	550	AH	700						
					4500	HB3/HB4	Y		AJ	250	AA	350	AB	350	AC	400	AD	450	AE	400	AF	450	AG	450	AH	450	AI	950				
		6.5' Box Min. 9,200 lb. GVWR Z85 or Snowplow prep. package recommended		6.0L V8	4800	HB3/HB4	Y		AJ	250	AA	350	AB	400	AC	400	AD	450	AE	450	AF	450	AG	450	AH	450	AI	550				
					4670	HB3/HB4	Y		AJ	250	AA	350	AB	400	AC	400	AD	450	AE	450	AF	450	AG	450	AH	450	AI	550				
				4800	HB3/HB4	Y	AJ		250	AA	350	AB	350	AC	400	AD	450	AE	400	AF	450	AG	450	AH	450	AI	550					
				4670	HB3/HB4	Y	AJ		250	AA	350	AB	350	AC	400	AD	450	AE	400	AF	450	AG	450	AH	450	AI	550					
				4800	HB3/HB4	Y	AJ		250	AA	350	AB	350	AC	400	AD	450	AE	400	AF	450	AG	450	AH	450	AI	550					
			4670	HB3/HB4	Y	AJ	250		AA	350	AB	350	AC	400	AD	450	AE	400	AF	450	AG	450	AH	450	AI	550						
			8.0' Box Min. 8,600 lb. GVWR Z85 or Snowplow prep. package recommended	6.0L V8	4670	HB3/HB4	Y		AJ	200	AA	300	AB	300	AC	350	AD	400	AE	350	AF	400	AG	400	AH	400	AI	500				
			4670		HB3/HB4	Y	AJ		150	AA	200	AB	250	AC	300	AD	300	AE	300	AF	350	AG	300	AH	350	AI	400					
			Crew Cab	6.5' Box Min. 9,200 lb. GVWR Z85 or Snowplow prep. package recommended	6.0L V8	4800	HB3/HB4		Y	AJ	100	AA	200	AB	250	AC	300	AD	300	AE	300	AF	300	AG	300	AH	350	AI	400			
						4670	HB3/HB4		Y	AJ	100	AA	200	AB	250	AC	300	AD	300	AE	300	AF	300	AG	300	AH	350	AI	400			
		4800			HB3/HB4	Y	AJ		100	AA	200	AB	250	AC	250	AD	300	AE	300	AF	300	AG	300	AH	300	AI	400					
		4670			HB3/HB4	Y	AJ		100	AA	200	AB	250	AC	250	AD	300	AE	300	AF	300	AG	300	AH	350	AI	400					
		4800			HB3/HB4	Y	AJ		100	AA	200	AB	250	AC	250	AD	300	AE	300	AF	300	AG	300	AH	350	AI	400					
		8.0' Box Min. 9,200 lb. GVWR Z85 or Snowplow prep. package recommended		6.0L V8	4800	HB3/HB4	Y		AJ	100	AA	150	AB	200	AC	250	AD	250	AE	250	AF	250	AG	250	AH	300	AI	350				
					4800	HB3/HB4	Y		AJ	0	AA	100	AB	150	AC	150	AD	200	AE	200	AF	200	AG	200	AH	200	AI	300				
				4800	HB3/HB4	Y	AJ		0	AA	100	AB	150	AC	150	AD	200	AE	200	AF	200	AG	200	AH	200	AI	300					
				4800	HB3/HB4	Y	AJ		150	AA	250	AB	250	AC	300	AD	350	AE	300	AF	350	AG	300	AH	350	AI	450					
				4800	HB3/HB4	Y	AJ		150	AA	250	AB	250	AC	300	AD	350	AE	300	AF	350	AG	300	AH	350	AI	450					
		2001	Reg Cab	8.0' Box Z85 or Snowplow prep. package recommended	6.0L V8	4800	HB3/HB4		Y	3525 U	AJ	150	AA	250	AB	250	AC	300	AD	350	AE	300	AF	350	AG	350	AH	350	AI	450		
						4500	HB3/HB4		Y		AJ	150	AA	250	AB	250	AC	300	AD	350	AE	300	AF	350	AG	350	AH	350	AI	450		
					4800	HB3/HB4	Y		AJ		250	AA	350	AB	350	AC	400	AD	450	AE	400	AF	450	AG	450	AH	450	AI	550			
					4500	HB3/HB4	Y		AJ		250	AA	350	AB	350	AC	400	AD	550	AE	450	AF	600	AG	550	AH	650					
					4800	HB3/HB4	Y		AJ		300	AA	400	AB	400	AC	450	AD	500	AE	450	AF	500	AG	500	AH	500	AI	800			
				X-Cab	6.5' Box Z85 or Snowplow prep. package recommended	6.0L V8	4800		HB3/HB4		Y	AJ	150	AA	250	AB	250	AC	300	AD	350	AE	300	AF	350	AG	350	AH	350	AI	450	
							4670		HB3/HB4		Y	AJ	150	AA	250	AB	250	AC	300	AD	350	AE	300	AF	350	AG	350	AH	350	AI	450	
						4800	HB3/HB4		Y		AJ	250	AA	350	AB	350	AC	400	AD	450	AE	400	AF	450	AG	450	AH	450	AI	550		
						4670	HB3/HB4		Y		AJ	250	AA	350	AB	350	AC	400	AD	450	AE	400	AF	450	AG	450	AH	450	AI	550		
						4800	HB3/HB4		Y		AJ	300	AA	400	AB	400	AC	450	AD	500	AE	450	AF	500	AG	500	AH	500	AI	800		
			8.0' Box Z85 or Snowplow prep. package recommended		6.0L V8	4800	HB3/HB4		Y		AJ	300	AA	400	AB	400	AC	450	AD	700	AE	600	AF	750	AG	700	AH	800				
						4800	HB3/HB4		Y		AJ	150	AA	250	AB	300	AC	300	AD	350	AE	350	AF	350	AG	350	AH	350	AI	450		
					4800	HB3/HB4	Y		AJ		250	AA	350	AB	400	AC	400	AD	450	AE	450	AF	450	AG	450	AH	450	AI	900			
					4800	HB3/HB4	Y		AJ		300	AA	400	AB	450	AC	450	AD	700	AE	550	AF	700	AG	650	AH	750					
					4800	HB3/HB4	Y		AJ		300	AA	400	AB	450	AC	450	AD	700	AE	550	AF	700	AG	650	AH	750					
			Crew Cab	6.5' Box Z85 or Snowplow prep. package recommended	6.0L V8	4800	HB3/HB4		Y		AJ	100	AA	200	AB	200	AC	250	AD	300	AE	250	AF	300	AG	250	AH	300	AI	350		
						4670	HB3/HB4		Y		AJ	100	AA	200	AB	200	AC	250	AD	300	AE	250	AF	300	AG	250	AH	300	AI	350		
					4800	HB3/HB4	Y		AJ		200	AA	300	AB	350	AC	350	AD	400	AE	400	AF	400	AG	400	AH	400	AI	950			
					4670	HB3/HB4	Y		AJ		200	AA	300	AB	350	AC	650	AD	900	AE	750	AF	950	AG	850	AH	1000					
					4800	HB3/HB4	Y		AJ		250	AA	350	AB	450	AC	500	AD	750	AE	600	AF	800	AG	750	AH	850					
				8.0' Box Z85 or Snowplow prep. package recommended	6.0L V8	4800	HB3/HB4		Y		AJ	150	AA	250	AB	250	AC	300	AD	350	AE	300	AF	350	AG	350	AH	350	AI	450		
						4800	HB3/HB4		Y		AJ	250	AA	450	AB	600	AC	900			AE	1000										
	4800				HB3/HB4	Y	AJ	300	AA		800	AB	1000																			
	4800				HB3/HB4	Y																										
	4800				HB3/HB4	Y																										

CHEVY/GMC

FOUR WHEEL DRIVE Vehicle Options										Plow Options (O) and Ballast Required (B)																		
MODEL/ CHASSIS	YEAR	BODY STYLE	OTHER	ENGINE(S)	MIN FGAWR	HEAD LAMP	DRL ?	PLOW MODEL	LSX 7.2	S 7.5	SY 7.5	P 7.5	PY 7.5	P 8.0	PY 8.0	P 8.5	P 9.0	MVP 8.5										
									O	B	O	B	O	B	O	B	O	B	O	B								
SILVERADO/SIERRA K2500 Chassis Cab 4x4 (Bumper notching required)	2002	All	Z85 or Snowplow package recommended	All	All	HB3/HB4	---	3525 U	AJ	?	AA	?	AB	?	AC	?	AD	?	AE	?	AF	?	AG	?	AH	?	AI	?
	2001	All	Z85 or Snowplow package recommended	All	All	HB3/HB4	---	3525 U	AJ	?	AA	?	AB	?	AC	?	AD	?	AE	?	AF	?	AG	?	AH	?	AI	?
	2000	All	Z85 or Snowplow package recommended	All	All	HB3/HB4	---	3525 U	AJ	?	AA	?	AB	?	AC	?	AD	?	AE	?	AF	?	AG	?	AH	?	AI	?
"CLASSIC" STYLE K2500 Chassis Cab 4x4	1996-2000	All	Min. 8,500 lb. GVWR	All	All	2B	Y	1585 U	CT	?	AA	?	AG	?	AM	?	AS	?	AY	?	BQ	?	BE	?	BK	?	CG	?
	1990-1995	All	Min. 8,500 lb. GVWR	All	All	HB3/HB4	Y	1585 U	CU	?	AB	?	AH	?	AN	?	AT	?	AZ	?	CF	?	BF	?	BL	?	CH	?
						2B	Y		CV	?	AC	?	AI	?	AO	?	AU	?	BA	?	CI	?	BG	?	BM	?	CO	?
						N	---		CW	?	AD	?	AJ	?	AP	?	AV	?	BB	?	CJ	?	BH	?	BN	?	CP	?
HB3/HB4						Y	CX		?	AE	?	AK	?	AQ	?	AW	?	BC	?	CK	?	BI	?	BO	?	CQ	?	
1981-1989	All	Min. 8,500 lb. GVWR	All	All	2B	N	1515 U	BE	?	AC	?	AH	?	AM	?	AS	?	BA	?	BI	?	AV	?	AY	?	BK	?	
					1A/2A	N		BH	?	AF	?	AK	?	AP	?	AT	?	BB	?	BJ	?	AW	?	AZ	?	BL	?	
					2B	N		DA	?	BS	?	BU	?	BW	?	BY	?	CA	?	CN	?	CC	?	CE	?	CS	?	
					1A/2A	N		BH	?	AF	?	AK	?	AP	?	AT	?	BB	?	BJ	?	AW	?	AZ	?	BL	?	
V 20 Chassis Cab 4x4	1987	All	Min. 8,500 lb. GVWR	All	All	2B	N	1515 U	BE	?	AC	?	AH	?	AM	?	AS	?	BA	?	BI	?	AV	?	AY	?	BK	?
SILVERADO/SIERRA K3500 Pick-up 4x4	2002	Reg Cab	8.0' Box Dual rear wheels Z85 or Snowplow prep. package recommended	6.0L V8	4800	HB3/HB4	Y	3525 U															AG	250	AH	250	AI	350
					4500	HB3/HB4	Y		AG	250	AH	250	AI	350														
					4800	HB3/HB4	Y		AG	200	AH	200	AI	300														
					4500	HB3/HB4	Y		AG	200	AH	200	AI	600														
					4800	HB3/HB4	Y		AG	250	AH	250	AI	350														
					4500	HB3/HB4	Y		AG	250	AH	250	AI	350														
		X-Cab	8.0' Box Dual rear wheels Z85 or Snowplow prep. package recommended	6.0L V8	4800	HB3/HB4	Y		AG	100	AH	150	AI	200														
					---	---	---		---	---	---																	
					4800	HB3/HB4	Y		AG	100	AH	100	AI	200														
					---	---	---		---	---	---																	
					4800	HB3/HB4	Y		AG	100	AH	100	AI	200														
					---	---	---		---	---	---																	
	Crew Cab	8.0' Box Dual rear wheels Z85 or Snowplow prep. package recommended	6.0L V8	4800	HB3/HB4	Y	AG	200	AH	200	AI	300																
				---	---	---	---	---	---																			
				4800	HB3/HB4	Y	AG	500	AH	600																		
				---	---	---	---	---	---																			
				4800	HB3/HB4	Y	AG	500	AH	600																		
				---	---	---	---	---	---																			
	2001	Reg Cab	8.0' Box Dual rear wheels Z85 or Snowplow prep. package recommended	6.0L V8	4800	HB3/HB4	Y	3525 U															AG	100	AH	150	AI	200
					4670	HB3/HB4	Y		AG	100	AH	100	AI	200														
					4800	HB3/HB4	Y		AG	250	AH	300	AI	350														
					4670	HB3/HB4	Y		AG	250	AH	250	AI	500														
					4800	HB3/HB4	Y		AG	300	AH	350	AI	550														
					4670	HB3/HB4	Y		AG	300	AH	350	AI	800														
X-Cab		8.0' Box Dual rear wheels Z85 or Snowplow prep. package recommended	6.0L V8	4800	HB3/HB4	Y	AG		50	AH	100	AI	150															
				4670	HB3/HB4	Y	AG		50	AH	100	AI	150															
				4500	HB3/HB4	Y	AG		50	AH	50	AI	450															
				4800	HB3/HB4	Y	AG		350	AH	500	AI	950															
				4670	HB3/HB4	Y	AG		900	AH	1000																	
				4800	HB3/HB4	Y	AG		750	AH	900																	
Crew Cab	8.0' Box Dual rear wheels Z85 or Snowplow prep. package recommended	6.0L V8	4800	HB3/HB4	Y	AG	900	AH	1000																			
			---	---	---	---	---	---																				
			4800	HB3/HB4	Y	AG	0	AH	0	AI	0																	
			4670	HB3/HB4	Y	AG	0	AH	0	AI	0																	
			4500	HB3/HB4	Y	AG	0	AH	0	AI	550																	
			4800	HB3/HB4	Y	AG	550	AH	650																			
"CLASSIC" STYLE K3500 Pick-up 4x4	2000	Reg Cab	Single rear wheels F60 or Snowplow prep. package recommended	5.7L V8	4500	2B	Y	1585 U					AM	200	AS	250	AY	250	BQ	250	BE	250	BK	250	CG	350		
					HB3/HB4	Y	AM		200	AT	250	AZ	250	CF	250	BF	250	BL	250	CH	350							
					2B	Y	AN		200	AS	250	AY	200	BQ	250	BE	250	BK	250	CG	350							
					HB3/HB4	Y	AN		200	AT	250	AZ	200	CF	250	BF	250	BL	250	CH	350							
					4500	2B	Y		AM	200	AS	250	AY	200	BQ	250	BE	250	BK	250	CG	350						
					HB3/HB4	Y	AN		200	AT	250	AZ	200	CF	250	BF	250	BL	250	CH	350							
					Dual rear wheels F60 or Snowplow prep. package recommended	5.7L V8	4500		2B	Y	BE	50	BK	50	CG	350												
							HB3/HB4		Y	BF	50	BL	50	CH	350													
							4250		2B	Y	BE	200	BK	300	CG	800												
							HB3/HB4		Y	BF	200	BL	300	CH	800													
							4250		2B	Y	BE	350	BK	450	CG	950												
							HB3/HB4		Y	BF	350	BL	450	CH	950													
X-Cab	8.0' Box Dual rear wheels F60 or Snowplow prep. package recommended	5.7L V8	4500	2B	Y	BE	100	BK	150	CG	700																	
			HB3/HB4	Y	BF	100	BL	150	CH	700																		
			4500	2B	Y	BE	550	BK	700																			
			HB3/HB4	Y	BF	550	BL	700																				
			4500	2B	Y	BE	650	BK	800																			
			HB3/HB4	Y	BF	650	BL	800																				

CHEVY/GMC

FOUR WHEEL DRIVE Vehicle Options

Plow Options (O) and Ballast Required (B)

MODEL/ CHASSIS	YEAR	BODY STYLE	OTHER	ENGINE(S)	MIN FGAWR	HEAD LAMP	DRL ?	PLOW MODEL	LSX 7.2		S 7.5		SY 7.5		P 7.5		PY 7.5		P 8.0		P 8.5		P 9.0		MVP 8.5				
									O	B	O	B	O	B	O	B	O	B	O	B	O	B	O	B	O	B	O	B	O
"CLASSIC" STYLE K3500 Pick-up 4x4 (continued)	2000 (continued)	Crew Cab	8.0' Box Single rear wheels F60 or Snowplow prep. package recommended	5.7L V8	4500	2B	Y	1585 U							AM	350	AS	600	AY	450	BQ	700	BE	600	BK	700			
				7.4L V8	4500	2B	Y		AN	350	AT	600	AZ	450	CF	700	BF	600	BL	700									
	1999	Reg Cab	Single rear wheels F60 or Snowplow prep. package recommended	5.7L V8	4500	2B	Y		AM	500	AS	500	AY	500	BQ	400	BE	500	BK	500	CG	500							
				4250	2B	Y	AN		500	AT	500	AZ	500	CF	400	BF	500	BL	500	CH	500								
				7.4L V8	4500	2B	Y	AM	500	AS	500	AY	500	BQ	700	BE	500	BK	500										
					4250	2B	Y	AN	500	AT	500	AZ	500	CF	700	BF	500	BL	500										
				6.5L Diesel	4500	2B	Y	AM	500	AS	500	AY	500	BQ	550	BE	500	BK	500										
					4250	2B	Y	AN	500	AT	500	AZ	500	CF	550	BF	500	BL	500										
		Dual rear wheels F60 or Snowplow prep. package recommended	5.7L V8	4500	2B	Y	AM	500	AS	500	AY	500											BE	500	BK	500	CG	400	
			All	4250	2B	Y	AN	500	AT	500	AZ	500											BF	500	BL	500	CH	400	
				4250	2B	Y	AM	500	AS	500	AY	500	BQ	950	BE	500	BK	500						BE	500	BL	500		
			5.7L V8	4500	2B	Y	AN	500	AT	500	AZ	500	CF	950	BF	500	BL	500						BF	500	BL	500		
				4250	2B	Y	AM	500	AS	500	AY	500												BE	500	BK	500		
			X-Cab	F60 or Snowplow prep. package recommended	5.7L V8	4500	2B	Y	AM	500	AS	500	AY	500										BE	50	BK	100	CG	600
	1998	Reg Cab	Single rear wheels F60 or Snowplow prep. package recommended	5.7L V8	4500	2B	Y	1585 U	AM	350	AS	400	AY	350	BQ	400	BE	400	BK	400	CG	500							
				4250	2B	Y	AN		350	AT	400	AZ	350	CF	400	BF	400	BL	400	CH	500								
				7.4L V8	4500	2B	Y		AM	400	AS	600	AY	500	BQ	650	BE	600	BK	700									
					4250	2B	Y		AN	400	AT	600	AZ	500	CF	650	BF	600	BL	700									
				6.5L Diesel	4500	2B	Y	AM	450	AS	500	AY	450	BQ	500	BE	500	BK	550										
					4250	2B	Y	AN	450	AT	500	AZ	450	CF	500	BF	500	BL	550										
		Dual rear wheels F60 or Snowplow prep. package recommended	5.7L V8	4500	2B	Y	AM	600	AS	850	AY	700	BQ	900	BE	800	BK	950											
			4250	2B	Y	AN	600	AT	850	AZ	700	CF	900	BF	800	BL	950												
				4250	2B	Y	AM	200	BK	250	CG	400																	
			7.4L V8	4500	2B	Y	AN	200	AT	250	AZ	200	CF	250	BF	250	BL	250	CH	450									
				4250	2B	Y	AM	600	AS	850	AY	700	BQ	900	BE	800	BK	950											
			6.5L Diesel	4500	2B	Y	AN	600	AT	850	AZ	700	CF	900	BF	800	BL	950											
	X-Cab	Dual rear wheels F60 or Snowplow prep. package recommended	5.7L V8	4500	2B	Y																	BE	200	BK	250	CG	400	
			4250	2B	Y	AN	200	AT	250	AZ	200	CF	250	BF	250	BL	250	CH	450										
		7.4L V8	4500	2B	Y	AM	600	AS	850	AY	700	BQ	900	BE	800	BK	950												
			4250	2B	Y	AN	600	AT	850	AZ	700	CF	900	BF	800	BL	950												
		6.5L Diesel	4500	2B	Y	AM	1000																						
			4250	2B	Y	AN	1000																						
	1997	Reg Cab	Single rear wheels F60 or Snowplow prep. package recommended	5.7L V8	4250	2B	Y	1585 U	AM	200	AS	250	AY	250	BQ	250	BE	250	BK	250	CG	450							
				7.4L V8	4250	2B	Y		AN	200	AT	250	AZ	200	CF	250	BF	250	BL	250	CH	450							
				6.5L Diesel	4250	2B	Y		AM	600	AS	850	AY	700	BQ	900	BE	800	BK	950									
		Dual rear wheels F60 or Snowplow prep. package recommended	5.7L V8	4250	2B	Y	AN		600	AT	850	AZ	700	CF	900	BF	800	BL	950										
			All	4250	2B	Y	AM		200	BK	250	CG	400																
				Other	4250	2B	Y		AN	200	AT	250	AZ	200	CF	250	BF	250	BL	250	CH	450							
	X-Cab	Dual rear wheels	5.7L V8	4250	2B	Y																BE	500	BK	500	CG	600		
	1996	Reg Cab	Single rear wheels F60 or Snowplow prep. package recommended	5.7L V8	4250	2B	Y	1585 U	AM	200	AS	250	AY	250	BQ	250	BE	250	BK	250	CG	500							
7.4L V8				4250	2B	Y	AN		200	AT	250	AZ	250	CF	250	BF	250	BL	250	CH	500								
5.7L V8				4250	2B	Y	AM		650	AS	900	AY	750	BQ	900	BE	850	BK	950										
		4250	2B	Y	AN	650	AT		900	AZ	750	CF	900	BF	850	BL	950												
Dual rear wheels F60 or Snowplow prep. package recommended		5.7L V8	4250	2B	Y	AM	1000																						
		4250	2B	Y	AN	1000																							
	4250		2B	Y	AM	1000																							
X-Cab	Dual rear wheels	5.7L V8	4250	2B	Y																								

CHEVY/GMC

FOUR WHEEL DRIVE Vehicle Options

Plow Options (O) and Ballast Required (B)

MODEL/ CHASSIS	YEAR	BODY STYLE	OTHER	ENGINE(S)	MIN FGAWR	HEAD LAMP	DRL ?	PLOW MODEL	LSX 7.2		S 7.5		SY 7.5		P 7.5		PY 7.5		P 8.0		PY 8.0		P 8.5		P 9.0		MVP 8.5									
									O	B	O	B	O	B	O	B	O	B	O	B	O	B	O	B	O	B	O	B	O	B	O	B				
"CLASSIC" STYLE K3500 Pick-up 4x4 (continued)	1988-1995	Reg Cab	Single rear wheels F60 or Snowplow prep. package recommended	5.7L V8	4250	2B	Y	1585 U							AO	300	AU	300	BA	300	CI	350	BG	300	BM	350	CO	500								
																			AP	300	AV	300	BB	300	CJ	350	BH	300	BN	350	CP	500				
						HB3/HB4	Y													AQ	300	AW	300	BC	300	CK	350	BI	300	BO	350	CQ	500			
						LF/UF	Y													AR	300	AX	300	BD	300	CL	350	BJ	300	BP	350	CQ	500			
							N													BV	300	BX	300	BZ	300	CM	350	CB	300	CD	350	CS	500			
							N														BW	300	BY	300	CA	300	CN	350	CC	300	CE	350	CS	500		
				7.4L V8	4250	2B	Y												AO	400	AU	650	BA	500	CI	700	BG	600	BM	750						
							N													AP	400	AV	650	BB	500	CJ	700	BH	600	BN	750					
						HB3/HB4	Y													AQ	400	AW	650	BC	500	CK	700	BI	600	BO	750					
						LF/UF	Y													AR	400	AX	650	BD	500	CL	700	BJ	600	BP	750					
							N													BV	400	BX	650	BZ	500	CM	700	CB	600	CD	750					
							N														BW	400	BY	650	CA	500	CN	700	CC	600	CE	750				
			6.5 or 6.2L Diesel	4250	2B	Y												AO	850			BA	100													
						N													AP	850			BB	1000												
					HB3/HB4	Y													AQ	850			BC	1000												
					LF/UF	Y													AR	850			BD	1000												
						N													BV	850			BZ	1000												
						N														BW	850			CA	1000											
			Dual rear wheels F60 or Snowplow prep. package recommended	5.7L V8	4250	2B	Y																				BG	250	BM	300	CO	450				
							N																					BH	250	BN	300	CP	450			
						HB3/HB4	Y																					BI	250	BO	300	CQ	450			
						LF/UF	Y																					BJ	250	BP	300	CQ	450			
							N																					CB	250	CD	300	CS	450			
							N																					CC	250	CE	300	CS	450			
	7.4L V8	4250		2B	Y																			BG	550	BM	650									
					N																				BH	550	BN	650								
				HB3/HB4	Y																				BI	550	BO	650								
				LF/UF	Y																				BJ	550	BP	650								
					N																				CB	550	CD	650								
					N																				CC	550	CE	650								
	6.5 or 6.2L Diesel	4250	2B	Y																			BG	1000												
				N																				BH	1000											
			HB3/HB4	Y																				BI	1000											
			LF/UF	Y																				BJ	1000											
				N																				CB	1000											
				N																				CC	1000											
	1981-1986	Reg Cab	Single rear wheels F60 or Snowplow prep. package recommended	4.8L L6	4500	2B	N	1515 U								AM	400	AS	450	BA	400	BI	450	AV	400	AY	450	BK	550							
						1A/2A	N													AP	400	AT	450	BB	400	BJ	450	AW	400	AZ	450	BL	550			
							N													AM	400	AS	450	BA	450	BI	450	AV	450	AY	450	BK	550			
				5.7L V8	4500	1A/2A	N												AP	400	AT	450	BB	450	BJ	450	AW	450	AZ	450	BL	550				
							N													AM	400	AS	550	BA	500	BI	550	AV	550	AY	550	BK	650			
							N													AP	500	AT	550	BB	500	BJ	550	AW	550	AZ	550	BL	650			
			7.4L V8	4500	1A/2A	N												AM	500	AS	550	BA	500	BI	550	AV	550	AY	550	BK	650					
						N													AP	500	AT	550	BB	500	BJ	550	AW	550	AZ	550	BL	650				
						N																					AW	450	AZ	450	BL	550				
			Dual rear wheels F60 or Snowplow prep. package recommended	4.8L L6	4500	2B	N																				AV	400	AY	450	BK	550				
						1A/2A	N													AP	400	AT	450	BB	400	BJ	450	AW	400	AZ	450	BL	550			
							N													AM	400	AS	450	BA	450	BI	450	AV	450	AY	450	BK	550			
5.7L V8	4500	1A/2A		N											AP	400	AT	450	BB	450	BJ	450	AW	450	AZ	450	BL	550								
				N												AM	500	AS	550	BA	500	BI	550	AV	550	AY	550	BK	650							
				N												AP	500	AT	550	BB	500	BJ	550	AW	550	AZ	550	BL	650							
7.4L V8	4500	1A/2A	N																				AV	350	AY	350	BK	450								
			N																				AW	350	AZ	350	BL	450								
			N																				AV	350	AY	400	BK	450								
Dual rear wheels F60 or Snowplow prep. package recommended Front frame horns must be removed and re-attached	4.8L L6	4500	2B	N																			AW	350	AZ	400	BL	450								
			1A/2A	N																				AV	450	AY	450	BK	550							
				N																				AW	450	AZ	450	BL	550							
5.7L V8	4500	2B	N																				AW	350	AZ	400	BL	450								
		1A/2A	N																					AV	450	AY	450	BK	550							
			N																				AW	450	AZ	450	BL	550								
7.4L V8	4500	2B	N																				AW	350	AZ	400	BL	450								
		1A/2A	N																					AV	450	AY	450	BK	550							
			N																				AW	450	AZ	450	BL	550								

CHEVY/GMC

FOUR WHEEL DRIVE Vehicle Options								Plow Options (O) and Ballast Required (B)																												
MODEL/ CHASSIS	YEAR	BODY STYLE	OTHER	ENGINE(S)	MIN FGAWR	HEAD LAMP	DRL ?	PLOW MODEL	LSX 7.2		S 7.5		SY 7.5		P 7.5		PY 7.5		P 8.0		PY 8.0		P 8.5		P 9.0		MVP 8.5									
									O	B	O	B	O	B	O	B	O	B	O	B	O	B	O	B	O	B	O	B	O	B	O	B				
V 30 4x4	1987-1989	Reg Cab	Single rear wheels F60 or Snowplow prep. package recommended	5.7L V8	4500	2B	N	1515 U																												
						1A/2A	N																													
				2B	N																															
				1A/2A	N																															
			Dual rear wheels F60 or Snowplow prep. package recommended	5.7L V8	4500	2B	N																													
						1A/2A	N																													
				7.4L V8	4500	2B	N																													
						1A/2A	N																													
SILVERADO/SIERRA K3500 Chassis Cab 4x4 K3600 Chassis Cab 4x4	2002	All	Dual rear wheels Min. 8,500 lb. GVWR	All	All	HB3/HB4	Y	3525 U																												
	2001	All	Dual rear wheels Min. 8,500 lb. GVWR	All	All	HB3/HB4	Y	3525 U																												
"CLASSIC" STYLE K3500 Chassis Cab 4x4	1996-2000		Dual rear wheels Min. 8,500 lb. GVWR	All	All	2B	Y	1585 U																												
						HB3/HB4	Y																													
						2B	Y																													
						HB3/HB4	Y																													
	1990-1995	All	Min. 8,500 lb GVWR	All	All	LF/UF	Y																													
						2B	N																													
	1988-1989	Reg Cab	Min. 8,500 lb GVWR	All	All	2B	N	1515 U																												
						1A/2A	N																													
						2B	N																													
						1A/2A	N																													
V 30 Chassis Cab 4x4	1987-1989	Reg Cab	Min. 8,500 lb GVWR	All	All	2B	N	1515 U																												
						1A/2A	N																													

CHEVY/GMC (Two Wheel Drive)

TWO WHEEL DRIVE Vehicle Options								Plow Options (O) and Ballast Required (B)																											
MODEL/ CHASSIS	YEAR	BODY STYLE	OTHER	ENGINE(S)	MIN FGAWR	HEAD LAMP	DRL ?	PLOW MODEL	LSX 7.2		S 7.5		SY 7.5		P 7.5		PY 7.5		P 8.0		PY 8.0		P 8.5		P 9.0		MVP 8.5								
									O	B	O	B	O	B	O	B	O	B	O	B	O	B	O	B	O	B	O	B	O	B	O	B			
SILVERADO/SIERRA C3500 Pick-up 2WD	2002	Reg Cab	8.0' Box Dual rear wheels Min. 10,000 lb. GVWR F60 or Snowplow prep. package recommended	6.0L V8	4500	HB3/HB4	Y	3525 U																											
						---	---																												
				8.1L V8	4500	HB3/HB4	Y																												
				---	---																														
				6.6L Diesel	4500	HB3/HB4	Y																												
				---	---																														
			X-Cab	8.0' Box Dual rear wheels Min. 10,000 lb. GVWR F60 or Snowplow prep. package recommended	6.0L V8	4670	HB3/HB4		Y																										
							---		---																										
					8.1L V8	4670	HB3/HB4		Y																										
				---	---																														
				6.6L Diesel	4670	HB3/HB4	Y																												
				---	---																														
		Crew Cab	8.0' Box Dual rear wheels Min. 10,000 lb. GVWR F60 or Snowplow prep. package recommended	6.0L V8	4670	HB3/HB4	Y																												
						---	---																												
				8.1L V8	4670	HB3/HB4	Y																												
			---	---																															
			6.6L Diesel	4670	HB3/HB4	Y																													
			---	---																															
		2001	X-Cab	8.0' Box Dual rear wheels Min. 10,000 lb. GVWR F60 or Snowplow prep. package recommended	6.0L V8	4800	HB3/HB4		Y																										
							---		---																										
					4670	HB3/HB4	Y																												
					4500	HB3/HB4	Y																												
					8.1L V8	4800	HB3/HB4		Y																										
					4670	HB3/HB4	Y																												
	6.6L Diesel			4500	HB3/HB4	Y																													
				4800	HB3/HB4	Y																													
				4670	HB3/HB4	Y																													
				4500	HB3/HB4	Y																													
4800				HB3/HB4	Y																														
4670				HB3/HB4	Y																														
Crew Cab	8.0' Box Dual rear wheels Min. 10,000 lb. GVWR F60 or Snowplow prep. package recommended	6.0L V8	4800	HB3/HB4	Y																														
				---	---																														
		4670	HB3/HB4	Y																															
	4500	HB3/HB4	Y																																
	8.1L V8	4800	HB3/HB4	Y																															
	4670	HB3/HB4	Y																																
6.6L Diesel	4800	HB3/HB4	Y																																
	4670	HB3/HB4	Y																																
"CLASSIC" STYLE C3500 Pick-up 2WD	2000	Reg Cab	Dual rear wheels Min. 10,000 lb. GVWR	5.7L V8	4100	2B	Y	1575 U																											
						HB3/HB4	Y																												
				7.4L V8	4100	2B	Y																												
			---	---																															
			HB3/HB4	Y																															
			6.2L Diesel	4100	2B	Y																													

CHEVY/GMC

COMPLETE PLOW			COMPONENT NUMBERS						
MODEL	OPTION	BLADE SIZE	MOUNT ASSEMBLY	BLADE ASSEMBLY	ATTACHMENT ASSEMBLY	HYDRAULIC ASSEMBLY	LAMP KIT	HARNESS KIT	DRL KIT
1515 UNIMOUNT® PLOW	AC	S 7.5	61770	60018	61720	56365	61540-1	61545	----
	AF	S 7.5	61770	60018	61720	56365	61540-1	61565	----
	AH	SY 7.5	61770	62110	62120	56365	61540-1	61545	----
	AK	SY 7.5	61770	62110	62120	56365	61540-1	61565	----
	AM	P 7.5	61770	60381	63568	56365	61540-1	61545	----
	AP	P 7.5	61770	60381	63568	56365	61540-1	61565	----
	AS	PY 7.5	61770	62400	63568	56365	61540-1	61545	----
	AT	PY 7.5	61770	62400	63568	56365	61540-1	61565	----
	AV	P 8.5	61770	60308	63568	56365	61540-1	61545	----
	AW	P 8.5	61770	60308	63568	56365	61540-1	61565	----
	AY	P 9.0	61770	60655	63568	56365	61540-1	61545	----
	AZ	P 9.0	61770	60655	63568	56365	61540-1	61565	----
	BA	P 8.0	61770	60390	63568	56365	61540-1	61545	----
	BB	P 8.0	61770	60390	63568	56365	61540-1	61565	----
	BD	LSX 7.2	61770	63472	63470	56545	61550-1	61555	61584
	BE	LSX 7.2	61770	63472	63470	56545	61540-1	61545	----
	BF	LSX 7.2	61770	63472	63470	56545	61550-1	61560	61584
	BG	LSX 7.2	61770	63472	63470	56545	61540-1	61580	----
	BH	LSX 7.2	61770	63472	63470	56545	61540-1	61565	----
	BI	PY 8.0	61770	62450	63568	56365	61540-1	61545	----
BJ	PY 8.0	61770	62450	63568	56365	61540-1	61565	----	
BK	MVP 8.5	61770	62600	62650	66587	66640-2	61546	----	
BL	MVP 8.5	61770	62600	62650	66587	66640-2	61566	----	
1525 UNIMOUNT® PLOW	AP	P 8.5	61975	60308	63568	56365	61550-1	61555	61584
	AQ	P 8.5	61975	60308	63568	56365	61540-1	61545	----
	AR	P 8.5	61975	60308	63568	56365	61540-1	61565	----
	AS	P 9.0	61975	60655	63568	56365	61550-1	61555	61584
	AT	P 9.0	61975	60655	63568	56365	61540-1	61545	----
	AU	P 9.0	61975	60655	63568	56365	61540-1	61565	----
	AV	MVP 8.5	61975	62600	62650	66587	66640-2	61555	61584
	AW	MVP 8.5	61975	62600	62650	66587	66640-2	61545	----
	AX	MVP 8.5	61975	62600	62650	66587	66640-2	61565	----

CHEVY/GMC

COMPLETE PLOW			COMPONENT NUMBERS						
MODEL	OPTION	BLADE SIZE	MOUNT ASSEMBLY	BLADE ASSEMBLY	ATTACHMENT ASSEMBLY	HYDRAULIC ASSEMBLY	LAMP KIT	HARNESS KIT	DRL KIT
1565 UNIMOUNT® PLOW	AA	P 8.5	62090	60308	63568	56365	61540-1	61545	61584
	AB	P 8.5	62090	60308	63568	56365	61540-1	61515	61584
	AC	P 8.5	62090	60308	63568	56365	61550-1	61555	61584
	AD	P 8.5	62090	60308	63568	56365	61540-1	61545	----
	AE	P 8.5	62090	60308	63568	56365	61550-1	61585	61584
	AF	P 8.5	62090	60308	63568	56365	61540-1	61515	----
	AG	P 9.0	62090	60655	63568	56365	61540-1	61545	61584
	AH	P 9.0	62090	60655	63568	56365	61540-1	61515	61584
	AI	P 9.0	62090	60655	63568	56365	61550-1	61555	61584
	AJ	P 9.0	62090	60655	63568	56365	61540-1	61545	----
	AK	P 9.0	62090	60655	63568	56365	61550-1	61585	61584
	AL	P 9.0	62090	60655	63568	56365	61540-1	61515	----
	AM	MVP 8.5	62090	62600	62650	66587	66640-2	61546	61584
	AN	MVP 8.5	62090	62600	62650	66587	66640-2	61716	61584
	AO	MVP 8.5	62090	62600	62650	66587	66640-2	61556	61584
	AP	MVP 8.5	62090	62600	62650	66587	66640-2	61546	----
	AQ	MVP 8.5	62090	62600	62650	66587	66640-2	61586	61584
AR	MVP 8.5	62090	62600	62650	66587	66640-2	61716	----	
1575 UNIMOUNT® PLOW	BO	P 8.5	62040	60308	63568	56365	61540-1	61545	61584
	BP	P 8.5	62040	60308	63568	56365	61540-1	61515	61584
	BQ	P 8.5	62040	60308	63568	56365	61550-1	61555	61584
	BR	P 8.5	62040	60308	63568	56365	61540-1	61545	----
	BS	P 8.5	62040	60308	63568	56365	61550-1	61585	61584
	BT	P 8.5	62040	60308	63568	56365	61540-1	61515	----
	BU	P 8.5	62040	60308	63568	56365	61550-1	61560	61584
	BV	P 8.5	62040	60308	63568	56365	61540-1	61580	----
	BW	P 9.0	62040	60655	63568	56365	61540-1	61545	61584
	BX	P 9.0	62040	60655	63568	56365	61540-1	61515	61584
	BY	P 9.0	62040	60655	63568	56365	61550-1	61555	61584
	BZ	P 9.0	62040	60655	63568	56365	61540-1	61545	----
	CA	P 9.0	62040	60655	63568	56365	61550-1	61585	61584
	CB	P 9.0	62040	60655	63568	56365	61540-1	61515	----
	CC	P 9.0	62040	60655	63568	56365	61550-1	61560	61584
	CD	P 9.0	62040	60655	63568	56365	61540-1	61580	----
	CG	MVP 8.5	62040	62600	62650	66587	66640-2	61546	61584
	CH	MVP 8.5	62040	62600	62650	66587	66640-2	61716	61584
	CQ	MVP 8.5	62040	62600	62650	66587	66640-2	61731	NO PLOW DRLS
	CR	MVP 8.5	62040	62600	62650	66587	66640-2	61546	----
CS	MVP 8.5	62040	62600	62650	66587	66640-2	61716	NO PLOW DRLS	
CT	MVP 8.5	62040	62600	62650	66587	66640-2	61581	NO PLOW DRLS	

CHEVY/GMC

COMPLETE PLOW			COMPONENT NUMBERS						
MODEL	OPTION	BLADE SIZE	MOUNT ASSEMBLY	BLADE ASSEMBLY	ATTACHMENT ASSEMBLY	HYDRAULIC ASSEMBLY	LAMP KIT	HARNESS KIT	DRL KIT
1585 UNIMOUNT® PLOW	AA	S 7.5	62330	60018	61720	56365	61540-1	61545	61584
	AB	S 7.5	62330	60018	61720	56365	61540-1	61515	61584
	AC	S 7.5	62330	60018	61720	56365	61550-1	61555	61584
	AD	S 7.5	62330	60018	61720	56365	61540-1	61545	----
	AE	S 7.5	62330	60018	61720	56365	61550-1	61585	61584
	AF	S 7.5	62330	60018	61720	56365	61540-1	61515	----
	AG	SY 7.5	62330	62110	62120	56365	61540-1	61545	61584
	AH	SY 7.5	62330	62110	62120	56365	61540-1	61515	61584
	AI	SY 7.5	62330	62110	62120	56365	61550-1	61555	61584
	AJ	SY 7.5	62330	62110	62120	56365	61540-1	61545	----
	AK	SY 7.5	62330	62110	62120	56365	61550-1	61585	61584
	AL	SY 7.5	62330	62110	62120	56365	61540-1	61515	----
	AM	P 7.5	62330	60381	63568	56365	61540-1	61545	61584
	AN	P 7.5	62330	60381	63568	56365	61540-1	61515	61584
	AO	P 7.5	62330	60381	63568	56365	61550-1	61555	61584
	AP	P 7.5	62330	60381	63568	56365	61540-1	61545	----
	AQ	P 7.5	62330	60381	63568	56365	61550-1	61585	61584
	AR	P 7.5	62330	60381	63568	56365	61540-1	61515	----
	AS	PY 7.5	62330	62400	63568	56365	61540-1	61545	61584
	AT	PY 7.5	62330	62400	63568	56365	61540-1	61515	61584
	AU	PY 7.5	62330	62400	63568	56365	61550-1	61555	61584
	AV	PY 7.5	62330	62400	63568	56365	61540-1	61545	----
	AW	PY 7.5	62330	62400	63568	56365	61550-1	61585	61584
	AX	PY 7.5	62330	62400	63568	56365	61540-1	61515	----
	AY	P 8.0	62330	60390	63568	56365	61540-1	61545	61584
	AZ	P 8.0	62330	60390	63568	56365	61540-1	61515	61584
	BA	P 8.0	62330	60390	63568	56365	61550-1	61555	61584
	BB	P 8.0	62330	60390	63568	56365	61540-1	61545	----
	BC	P 8.0	62330	60390	63568	56365	61550-1	61585	61584
	BD	P 8.0	62330	60390	63568	56365	61540-1	61515	----
BE	P 8.5	62330	60308	63568	56365	61540-1	61545	61584	
BF	P 8.5	62330	60308	63568	56365	61540-1	61515	61584	
BG	P 8.5	62330	60308	63568	56365	61550-1	61555	61584	
BH	P 8.5	62330	60308	63568	56365	61540-1	61545	----	
BI	P 8.5	62330	60308	63568	56365	61550-1	61585	61584	
BJ	P 8.5	62330	60308	63568	56365	61540-1	61515	----	

CHEVY/GMC

<i>COMPLETE PLOW</i>			<i>COMPONENT NUMBERS</i>						
MODEL	OPTION	BLADE SIZE	MOUNT ASSEMBLY	BLADE ASSEMBLY	ATTACHMENT ASSEMBLY	HYDRAULIC ASSEMBLY	LAMP KIT	HARNESS KIT	DRL KIT
1585 (continued) UNIMOUNT® PLOW	BK	P 9.0	62330	60655	63568	56365	61540-1	61545	61584
	BL	P 9.0	62330	60655	63568	56365	61540-1	61515	61584
	BM	P 9.0	62330	60655	63568	56365	61550-1	61555	61584
	BN	P 9.0	62330	60655	63568	56365	61540-1	61545	----
	BO	P 9.0	62330	60655	63568	56365	61550-1	61585	61584
	BP	P 9.0	62330	60655	63568	56365	61540-1	61515	----
	BQ	PY 8.0	62330	62450	63568	56365	61540-1	61545	61584
	BR	S 7.5	62330	60018	61720	56365	61550-1	61560	61584
	BS	S 7.5	62330	60018	61720	56365	61540-1	61580	----
	BT	SY 7.5	62330	62110	62120	56365	61550-1	61560	61584
	BU	SY 7.5	62330	62110	62120	56365	61540-1	61580	----
	BV	P 7.5	62330	60381	63568	56365	61550-1	61560	61584
	BW	P 7.5	62330	60381	63568	56365	61540-1	61580	----
	BX	PY 7.5	62330	62400	63568	56365	61550-1	61560	61584
	BY	PY 7.5	62330	62400	63568	56365	61540-1	61580	----
	BZ	P 8.0	62330	60390	63568	56365	61550-1	61560	61584
	CA	P 8.0	62330	60390	63568	56365	61540-1	61580	----
	CB	P 8.5	62330	60308	63568	56365	61550-1	61560	61584
	CC	P 8.5	62330	60308	63568	56365	61540-1	61580	----
	CD	P 9.0	62330	60655	63568	56365	61550-1	61560	61584
	CE	P 9.0	62330	60655	63568	56365	61540-1	61580	----
	CF	PY 8.0	62330	62450	63568	56365	61540-1	61515	61584
	CG	MVP 8.5	62330	62600	62650	66587	66640-2	61546	61584
	CH	MVP 8.5	62330	62600	62650	66587	66640-2	61716	61584
	CI	PY 8.0	62330	62450	63568	56365	61550-1	61555	61584
	CJ	PY 8.0	62330	62450	63568	56365	61550-1	61555	----
	CK	PY 8.0	62330	62450	63568	56365	61550-1	61585	61584
	CL	PY 8.0	62330	62450	63568	56365	61550-1	61585	----
	CM	PY 8.0	62330	62450	63568	56365	61550-1	61560	61584
	CN	PY 8.0	62330	62450	63568	56365	61550-1	61560	----

CHEVY/GMC

COMPLETE PLOW			COMPONENT NUMBERS						
MODEL	OPTION	BLADE SIZE	MOUNT ASSEMBLY	BLADE ASSEMBLY	ATTACHMENT ASSEMBLY	HYDRAULIC ASSEMBLY	LAMP KIT	HARNESS KIT	DRL KIT
1585 (continued) UNIMOUNT® PLOW	CO	MVP 8.5	62330	62600	62650	66587	66640-2	61731	NO PLOW DRLS
	CP	MVP 8.5	62330	62600	62650	66587	66640-2	61546	-----
	CQ	MVP 8.5	62330	62600	62650	66587	66640-2	61716	NO PLOW DRLS
	CS	MVP 8.5	62330	62600	62650	66587	66640-2	61581	NO PLOW DRLS
	CT	LSX 7.2	62330	63472	63470	56545	61540-1	61545	61584
	CU	LSX 7.2	62330	63472	63470	56545	61540-1	61515	61584
	CV	LSX 7.2	62330	63472	63470	56545	61550-1	61555	61584
	CW	LSX 7.2	62330	63472	63470	56545	61540-1	61545	-----
	CX	LSX 7.2	62330	63472	63470	56545	61550-1	61585	61584
	CY	LSX 7.2	62330	63472	63470	56545	61540-1	61515	-----
	CZ	LSX 7.2	62330	63472	63470	56545	61550-1	61560	61584
DA	LSX 7.2	62330	63472	63470	56545	61540-1	61580	-----	
3515 UNIMOUNT® PLOW	AA	S 7.5	63300	60018	61720	56365	61540-1	63392	-----
	AB	SY 7.5	63300	62110	62120	56365	61540-1	63392	-----
	AC	P 7.5	63300	60381	63568	56365	61540-1	63392	-----
	AD	PY 7.5	63300	62400	63568	56365	61540-1	63392	-----
	AE	P 8.0	63300	60390	63568	56365	61540-1	63392	-----
	AF	PY 8.0	63300	62450	63568	56365	61540-1	63392	-----
	AJ	LSX 7.2	63300	63472	63470	56545	61540-1	63392	-----
3525 UNIMOUNT® PLOW	AA	S 7.5	63360-1	60018	61720	56365	61540-1	63392	-----
	AB	SY 7.5	63360-1	62110	62120	56365	61540-1	63392	-----
	AC	P 7.5	63360-1	60381	63568	56365	61540-1	63392	-----
	AD	PY 7.5	63360-1	62400	63568	56365	61540-1	63392	-----
	AE	P 8.0	63360-1	60390	63568	56365	61540-1	63392	-----
	AF	PY 8.0	63360-1	62450	63568	56365	61540-1	63392	-----
	AG	P 8.5	63360-1	60308	63568	56365	61540-1	63392	-----
	AH	P 9.0	63360-1	60655	63568	56365	61540-1	63392	-----
	AI	MVP® 8.5	63360-1	62600	62650	66587	66640-2	63394	-----
	AJ	LSX 7.2	63360-1	63472	63470	56545	61540-1	63392	-----

DODGE

FOUR WHEEL DRIVE Vehicle Options							Plow Options (O) and Ballast Required (B)																											
MODEL/ CHASSIS	YEAR	BODY STYLE	OTHER	ENGINE(S)	MIN FGAWR	HEAD LAMP	DRL ?	PLOW MODEL	S 6.5		S 7.0		LSX 7.2		S 7.5		SY 7.5		P 7.5		P 8.0		PY 8.0		P 8.5		P 9.0		MVP 8.5					
									O	B	O	B	O	B	O	B	O	B	O	B	O	B	O	B	O	B	O	B	O	B	O	B	O	B
RAM 2500 HD Pick-up 4x4 Bumper notching on SPORT required (Vehicles with cab lights also require kit # 61185)	2000-2002	Reg Cab	8.0' Box Snowplow prep. package recommended	5.9L V8	5200	HB1	Y	985 U					CC 250	AS 350	AW 400	BA 400	BE 450	BI 450	BM 450	BQ 450	BR 450	BS 450	BV 450	BW 450	BX 450	BY 450	BZ 450	CA 550	CB 550	CC 550	CD 550			
						HB5/HB1	Y		CE 250	AU 350	AY 400	BC 400	BG 450	BK 450	BL 450	BO 450	BP 450	BS 450	BW 450	BX 450	CA 550	CB 550	CC 550	CD 550										
						HB1	Y		CF 250	AV 350	AZ 400	BD 400	BH 450	BI 500	BM 550	BQ 500	BU 550	BY 650	BZ 650	CA 650	CB 650	CC 650	CD 650											
						HB5/HB1	Y		CE 300	AU 400	AY 450	BC 500	BG 500	BK 500	BL 500	BO 550	BP 500	BS 500	BW 550	BX 550	CA 650	CB 650	CC 650	CD 650										
						HB1	Y		CF 300	AV 400	AZ 450	BD 500	BH 500	BI 500	BM 500	BQ 500	BU 500	BY 800	BZ 800	CA 800	CB 800	CC 800	CD 800											
						HB5/HB1	Y		CE 450	AS 550	AW 600	BA 650	BE 700	BI 650	BM 700	BQ 700	BU 700	BY 800	BZ 800	CA 800	CB 800	CC 800	CD 800											
				HB5/HB1	Y	CE 150	AT 250		AX 300	BB 300	BF 350	BJ 350	BN 350	BR 350	BS 400	BW 400	BX 400	CA 450	CB 450	CC 450	CD 450													
				HB1	Y	CF 150	AV 250		AY 300	BC 300	BG 350	BK 350	BL 350	BO 350	BS 350	BW 400	BX 400	CA 450	CB 450	CC 450	CD 450													
				HB5/HB1	Y	CE 150	AU 250		AY 300	BD 300	BH 350	BI 400	BM 450	BQ 450	BU 450	BY 550	BZ 550	CA 550	CB 550	CC 550	CD 550													
				HB1	Y	CF 200	AV 300		AZ 350	BA 400	BE 450	BJ 400	BN 450	BQ 450	BU 450	BY 550	BZ 550	CA 550	CB 550	CC 550	CD 550													
				HB5/HB1	Y	CE 200	AU 300		AY 350	BC 400	BG 450	BK 400	BO 450	BP 450	BS 450	BW 450	BX 450	CA 550	CB 550	CC 550	CD 550													
				HB5/HB1	Y	CE 150	AU 250		AY 300	BC 350	BH 400	BK 350	BL 400	BS 350	BW 400	BX 400	CA 500	CB 500	CC 500	CD 500														
		HB1	Y	CF 150	AV 250	AZ 300	BD 350		BH 400	BI 450	BN 500	BQ 450	BU 500	BY 600	BZ 600	CA 600	CB 600	CC 600	CD 600															
		HB5/HB1	Y	CE 250	AS 350	AW 400	BA 450		BE 500	BI 450	BN 500	BQ 450	BU 500	BY 600	BZ 600	CA 600	CB 600	CC 600	CD 600															
		HB1	Y	CF 250	AV 350	AX 400	BB 450		BF 500	BJ 450	BN 500	BR 450	BS 450	BW 500	BX 500	CA 550	CB 550	CC 550	CD 550															
		HB5/HB1	Y	CE 250	AU 350	AY 400	BC 450		BG 500	BK 450	BO 500	BP 500	BS 450	BW 500	BX 500	CA 550	CB 550	CC 550	CD 550															
		HB5/HB1	Y	CE 400	AV 500	AZ 550	BD 650		BH 900	BI 750	BN 950	BR 850	BS 850	BW 1000	BX 1000	CA 1000	CB 1000	CC 1000	CD 1000															
		HB1	Y	CF 400	AV 500	AZ 550	BD 650		BH 900	BI 750	BN 950	BR 850	BS 850	BW 1000	BX 1000	CA 1000	CB 1000	CC 1000	CD 1000															
		HB5/HB1	Y	CE 400	AU 500	AY 550	BC 650		BG 900	BK 750	BO 950	BP 950	BS 850	BW 1000	BX 1000	CA 1000	CB 1000	CC 1000	CD 1000															
		HB1	Y	CF 400	AV 500	AZ 550	BD 650		BH 900	BI 750	BN 950	BR 850	BS 850	BW 1000	BX 1000	CA 1000	CB 1000	CC 1000	CD 1000															
		HB5/HB1	Y	CE 400	AU 500	AY 550	BC 650		BG 900	BK 750	BO 950	BP 950	BS 850	BW 1000	BX 1000	CA 1000	CB 1000	CC 1000	CD 1000															
		HB5/HB1	Y	CE 200	AT 300	AX 350	BB 350		BF 400	BJ 400	BN 400	BR 400	BS 400	BW 450	BX 450	CA 500	CB 500	CC 500	CD 500															
		HB1	Y	CF 200	AV 300	AZ 350	BD 350		BH 400	BI 400	BN 400	BP 400	BT 400	BX 400	CB 500	CC 500	CD 500	CE 500	CF 500															
		HB5/HB1	Y	CE 350	AS 450	AW 500	BA 550		BE 600	BI 550	BN 600	BQ 550	BU 600	BY 700	BZ 700	CA 700	CB 700	CC 700	CD 700															
	HB1	Y	CF 350	AV 450	AZ 500	BD 550	BH 600		BI 550	BN 600	BP 600	BS 550	BW 600	BX 600	CA 700	CB 700	CC 700	CD 700																
	HB5/HB1	Y	CE 400	AS 500	AW 600	BA 900	BE 1000		BI 1000	BN 1000	BP 1000	BS 1000	BW 1000	BX 1000	CA 1000	CB 1000	CC 1000	CD 1000																
	HB5/HB1	Y	CE 150	AU 250	AX 300	BB 350	BF 400		BJ 350	BN 400	BR 400	BS 400	BW 400	BX 400	CA 500	CB 500	CC 500	CD 500																
	HB1	Y	CF 150	AV 250	AZ 300	BD 350	BH 400		BI 350	BN 400	BP 400	BT 400	BX 400	CB 500	CC 500	CD 500	CE 500	CF 500																
	HB5/HB1	Y	CE 200	AS 300	AW 300	BA 350	BE 400		BI 350	BN 400	BQ 400	BU 400	BY 500	BZ 500	CA 500	CB 500	CC 500	CD 500																
	HB1	Y	CF 200	AV 300	AX 300	BB 350	BF 400		BJ 350	BN 400	BR 400	BS 400	BW 400	BX 400	CA 500	CB 500	CC 500	CD 500																
	HB5/HB1	Y	CE 200	AU 300	AY 300	BC 350	BG 400		BK 350	BL 400	BO 400	BP 400	BS 400	BW 400	BX 400	CA 500	CB 500	CC 500	CD 500															

DODGE

FOUR WHEEL DRIVE Vehicle Options								Plow Options (O) and Ballast Required (B)																											
MODEL/ CHASSIS	YEAR	BODY STYLE	OTHER	ENGINE(S)	MIN FGAWR	HEAD LAMP	DRL ?	PLOW MODEL	S 6.5		S 7.0		LSX 7.2		S 7.5		SY 7.5		P 7.5		PY 7.5		P 8.0		PY 8.0		P 8.5		P 9.0		MVP 8.5				
									O	B	O	B	O	B	O	B	O	B	O	B	O	B	O	B	O	B	O	B	O	B	O	B			
RAM 2500 HD Pick-up 4x4 Bumper notching on SPORT required (Vehicles with cab lights also require kit # 61185) (continued)	1998 (continued)	Quad Cab	6.5' Box Snowplow prep. package recommended	5.9L V8	4850	HB1	Y	985 U					CC	200	AS	300	AW	300	BA	350	BE	400	BI	400	BM	400	BQ	400	BU	400	BY	500			
						N						CD	200	AT	300	AX	300	BB	350	BF	400	BJ	400	BN	400	BR	400	BV	400	BW	400	BX	400	CA	500
						Y						CE	200	AU	300	AY	300	BC	350	BG	400	BK	400	BO	400	BS	400	BW	400	CA	500	CB	500		
				N						CF	200	AV	300	AZ	300	BD	350	BH	400	BL	400	BP	400	BT	400	BX	400	CA	500	CB	500				
				Y						CC	350	AS	450	AW	500	BA	550	BE	550	BI	550	BM	600	BQ	550	BU	600	BY	700						
				N						CD	350	AT	450	AX	500	BB	550	BF	550	BJ	550	BN	600	BR	550	BV	600	BW	600	CA	700				
			Y						CE	350	AU	450	AY	500	BC	550	BG	550	BK	550	BO	600	BS	550	BW	600	CA	700							
			N						CF	350	AV	450	AZ	500	BD	550	BH	550	BL	550	BP	600	BT	550	BX	600	CB	700							
			Y						CC	450	AS	600	AW	750																					
			N						CD	450	AT	600	AX	750																					
			Y						CE	450	AU	600	AY	750																					
			N						CF	450	AV	600	AZ	750																					
			Y						CC	150	AS	250	AW	300																					
			N						CD	150	AT	250	AX	300																					
			Y						CE	150	AU	250	AY	300																					
			N						CF	150	AV	250	AZ	300																					
			Y						CC	150	AS	300	AW	300																					
			N						CD	150	AT	300	AX	300																					
	Y					CE	150	AU	300	AY	300																								
	N					CF	150	AV	300	AZ	300																								
	Y					CC	400																												
	N					CD	400																												
	Y					CE	400																												
	N					CF	400																												
	Y					CG	150	AA	250	AC	300	AE	350	AG	400	AJ	350	AO	400	AK	350	AM	400	AQ	500										
	Y					CH	150	AB	250	AD	300	AF	350	AH	400	AJ	350	AP	400	AL	350	AN	400	AR	500										
	Y					CG	250	AA	350	AC	400	AE	450	AG	500	AJ	450	AO	500	AK	450	AM	500	AQ	600										
	N					CH	250	AB	350	AD	400	AF	450	AH	500	AJ	450	AP	500	AL	450	AN	500	AR	600										
	Y					CG	400	AA	500	AC	550	AE	650	AG	900	AJ	750	AO	950	AK	850	AM	1000												
	N					CH	400	AB	500	AD	550	AF	650	AH	900	AJ	750	AP	950	AL	850	AN	1000												
	Y					CG	200	AA	300	AC	350	AE	350	AG	400	AJ	400	AO	400	AK	400	AM	450	AQ	500										
	N					CH	200	AB	300	AD	350	AF	350	AH	400	AJ	400	AO	400	AL	400	AN	450	AR	500										
	Y					CG	350	AA	450	AC	500	AE	550	AG	600	AJ	550	AO	600	AK	550	AM	600	AQ	700										
	N					CH	350	AB	450	AD	500	AF	550	AH	600	AJ	550	AP	600	AL	550	AN	600	AR	700										
	Y					CG	400	AA	500	AC	600	AE	900																						
	N					CH	400	AB	500	AD	600	AF	900																						
Y					CG	150	AA	250	AC	300	AE	350	AG	400	AJ	350	AO	400	AK	400	AM	400	AQ	500											
N					CH	150	AB	250	AD	300	AF	350	AH	400	AJ	350	AP	400	AL	400	AN	400	AR	500											
Y					CG	200	AA	300	AC	300	AE	350	AG	400	AJ	350	AO	400	AK	400	AM	400	AQ	500											
N					CH	200	AB	300	AD	300	AF	350	AH	400	AJ	350	AP	400	AL	400	AN	400	AR	500											
Y					CG	400	AA	1000																											
N					CH	400	AB	1000																											
Y					CG	200	AA	300	AC	300	AE	350	AG	400	AJ	400	AO	400	AK	400	AM	400	AQ	500											
N					CH	200	AB	300	AD	300	AF	350	AH	400	AJ	400	AO	400	AL	400	AN	400	AR	500											
Y					CG	350	AA	450	AC	500	AE	550	AG	550	AJ	550	AO	550	AK	550	AM	600	AQ	700											
N					CH	350	AB	450	AD	500	AF	550	AH	550	AJ	550	AP	550	AL	550	AN	600	AR	700											
Y					CG	450	AA	550	AC	700	AE	1000																							
N					CH	450	AB	550	AD	700	AF	1000																							
Y					CG	150	AA	250	AC	300	AE	300	AG	350	AJ	350	AO	350	AK	350	AM	350	AQ	450											
N					CH	150	AB	250	AD	300	AF	300	AH	350	AJ	350	AP	350	AL	350	AN	350	AR	450											
Y					CG	150	AA	250	AC	300	AE	350	AG	400	AJ	350	AO	400	AK	350	AM	400	AQ	550											
N					CH	150	AB	250	AD	300	AF	350	AH	400	AJ	350	AP	400	AL	350	AN	400	AR	550											
Y					CG	400																													
N					CH	400																													
Y					CG	300	AA	450	AC	450	AE	500	AG	550	AJ	550	AO	550	AK	550	AM	550	AQ	650											
N					CH	300	AB	450	AD	450	AF	500	AH	550	AJ	550	AP	550	AL	550	AN	550	AR	650											
Y					CG	300	AA	450	AC	450	AE	500	AG	550	AJ	550	AO	550	AK	550	AM	550	AQ	650											
N					CH	300	AB	450	AD	450	AF	500	AH	550	AJ	550	AP	550	AL	550	AN	550	AR	650											
Y					CG	500	AA	600	AC	600	AE	650	AG	800	AJ	700	AO	850	AK	750	AM	850													
N					CH	500	AB	600	AD	600	AF	650	AH	800	AJ	700	AP	850	AL	750	AN	850													
Y					CG	200	AA	300	AC	350	AE	400	AG	450	AJ	400	AO	450	AK	400	AM	450	AQ	500											
N					CH	200	AB	300	AD	350	AF	400	AH	450	AJ	400	AO	450	AL	400	AN	450	AR	500											
Y					CG	300	AA	400	AC	400	AE	450	AG	500	AJ	500	AO	500	AK	500	AM	500	AQ	600											
N					CH	300	AB	400	AD	400	AF	450	AH	500	AJ	500	AO	500	AL	500	AN	500	AR	600											
Y					CG	300	AA	250	AC	250	AE	300	AG	350	AJ	350	AO	350	AK	350	AM	350	AQ	500											
N					CH	300	AB	250	AD	250	AF	300	AH	350	AJ	350	AO	350	AL	350	AN	350	AR	500											

DODGE

COMPLETE PLOW			COMPONENT NUMBERS						
MODEL	OPTION	BLADE SIZE	MOUNT ASSEMBLY	BLADE ASSEMBLY	ATTACHMENT ASSEMBLY	HYDRAULIC ASSEMBLY	LAMP KIT	HARNESS KIT	DRL KIT
915 UNIMOUNT® PLOW	AA	S 6.5	61860	60120	61720	56365	61540-1	61575	61584
	AB	S 7.0	61860	60125	61720	56365	61540-1	61575	61584
	AC	S 6.5	61860	60120	61720	56365	61540-1	61575	-----
	AD	S 7.0	61860	60125	61720	56365	61540-1	61575	-----
	AE	S 6.5	61860	60120	61720	56365	61540-1	62525	61584
	AF	S 7.0	61860	60125	61720	56365	61540-1	62525	61584
	AG	S 6.5	61860	60120	61720	56365	61540-1	62525	-----
	AH	S 7.0	61860	60125	61720	56365	61540-1	62525	-----
925 UNIMOUNT® PLOW	AA	S 7.0	62485	60125	61720	56365	61540-1	61590	61584
	AB	S 7.0	62485	60125	61720	56365	61540-1	61590	-----
	AC	S 7.5	62485	60018	61720	56365	61540-1	61590	61584
	AD	S 7.5	62485	60018	61720	56365	61540-1	61590	-----
	AE	SY 7.5	62485	62110	62120	56365	61540-1	61590	61584
	AF	SY 7.5	62485	62110	62120	56365	61540-1	61590	-----
	AG	P 7.5	62485	60381	63568	56365	61540-1	61590	61584
	AH	P 7.5	62485	60381	63568	56365	61540-1	61590	-----
	AI	PY 7.5	62485	62400	63568	56365	61540-1	61590	61584
	AJ	PY 7.5	62485	62400	63568	56365	61540-1	61590	-----
	AK	S 7.0	62485	60125	61720	56365	61540-1	63404	61584
	AL	S 7.0	62485	60125	61720	56365	61540-1	63396	-----
	AM	S 7.5	62485	60018	61720	56365	61540-1	63404	61584
	AN	S 7.5	62485	60018	61720	56365	61540-1	63396	-----
	AO	SY 7.5	62485	62110	62120	56365	61540-1	63404	61584
	AP	SY 7.5	62485	62110	62120	56365	61540-1	63396	-----
	AQ	P 7.5	62485	60381	63568	56365	61540-1	63404	61584
	AR	P 7.5	62485	60381	63568	56365	61540-1	63396	-----
	AS	PY 7.5	62485	62400	63568	56365	61540-1	63404	61584
	AT	PY 7.5	62485	62400	63568	56365	61540-1	63396	-----
AU	LSX 7.2	62485	63472	63470	56545	61540-1	63404	61584	
AV	LSX 7.2	62485	63472	63470	56545	61540-1	63396	-----	
AW	LSX 7.2	62485	63472	63470	56545	61540-1	61590	61584	
AX	LSX 7.2	62485	63472	63470	56545	61540-1	61590	-----	
985 UNIMOUNT® PLOW	AA	S 7.5	62035	60018	61720	56365	61540-1	62525	61584
	AB	S 7.5	62035	60018	61720	56365	61540-1	62525	-----
	AC	SY 7.5	62035	62110	62120	56365	61540-1	62525	61584
	AD	SY 7.5	62035	62110	62120	56365	61540-1	62525	-----
	AE	P 7.5	62035	60381	63568	56365	61540-1	62525	61584
	AF	P 7.5	62035	60381	63568	56365	61540-1	62525	-----
	AG	PY 7.5	62035	62400	63568	56365	61540-1	62525	61584
	AH	PY 7.5	62035	62400	63568	56365	61540-1	62525	-----

DODGE

COMPLETE PLOW			COMPONENT NUMBERS						
MODEL	OPTION	BLADE SIZE	MOUNT ASSEMBLY	BLADE ASSEMBLY	ATTACHMENT ASSEMBLY	HYDRAULIC ASSEMBLY	LAMP KIT	HARNESS KIT	DRL KIT
985 UNIMOUNT® PLOW (continued)	AI	P 8.0	62035	60390	63568	56365	61540-1	62525	61584
	AJ	P 8.0	62035	60390	63568	56365	61540-1	62525	-----
	AK	P 8.5	62035	60308	63568	56365	61540-1	62525	61584
	AL	P 8.5	62035	60308	63568	56365	61540-1	62525	-----
	AM	P 9.0	62035	60655	63568	56365	61540-1	62525	61584
	AN	P 9.0	62035	60655	63568	56365	61540-1	62525	-----
	AO	PY 8.0	62035	62450	63568	56365	61540-1	62525	61584
	AP	PY 8.0	62035	62450	63568	56365	61540-1	62525	-----
	AQ	MVP 8.5	62035	62600	62650	66587	66640-2	62526	61584
	AR	MVP 8.5	62035	62600	62650	66587	66640-2	62526	-----
	AS	S 7.5	62035	60018	61720	56365	61550-1	63400	61584
	AT	S 7.5	62035	60018	61720	56365	61540-1	62917	-----
	AU	S 7.5	62035	60018	61720	56365	61550-1	63404	61584
	AV	S 7.5	62035	60018	61720	56365	61540-1	63396	-----
	AW	SY 7.5	62035	62110	62120	56365	61550-1	63400	61584
	AX	SY 7.5	62035	62110	62120	56365	61540-1	62917	-----
	AY	SY 7.5	62035	62110	62120	56365	61550-1	63404	61584
	AZ	SY 7.5	62035	62110	62120	56365	61540-1	63396	-----
	BA	P 7.5	62035	60381	63568	56365	61550-1	63400	61584
	BB	P 7.5	62035	60381	63568	56365	61540-1	62917	-----
	BC	P 7.5	62035	60381	63568	56365	61550-1	63404	61584
	BD	P 7.5	62035	60381	63568	56365	61540-1	63396	-----
	BE	PY 7.5	62035	62400	63568	56365	61550-1	63400	61584
	BF	PY 7.5	62035	62400	63568	56365	61540-1	62917	-----
	BG	PY 7.5	62035	62400	63568	56365	61550-1	63404	61584
	BH	PY 7.5	62035	62400	63568	56365	61540-1	63396	-----
	BI	P 8.0	62035	60390	63568	56365	61550-1	63400	61584
	BJ	P 8.0	62035	60390	63568	56365	61540-1	62917	-----
BK	P 8.0	62035	60390	63568	56365	61550-1	63404	61584	
BL	P 8.0	62035	60390	63568	56365	61540-1	63396	-----	
BM	PY 8.0	62035	62450	63568	56365	61550-1	63400	61584	
BN	PY 8.0	62035	62450	63568	56365	61540-1	62917	-----	
BO	PY 8.0	62035	62450	63568	56365	61550-1	63404	61584	
BP	PY 8.0	62035	62450	63568	56365	61540-1	63396	-----	
BQ	P 8.5	62035	60308	63568	56365	61550-1	63400	61584	
BR	P 8.5	62035	60308	63568	56365	61540-1	62917	-----	
BS	P 8.5	62035	60308	63568	56365	61550-1	63404	61584	
BT	P 8.5	62035	60308	63568	56365	61540-1	63396	-----	

DODGE

COMPLETE PLOW			COMPONENT NUMBERS						
MODEL	OPTION	BLADE SIZE	MOUNT ASSEMBLY	BLADE ASSEMBLY	ATTACHMENT ASSEMBLY	HYDRAULIC ASSEMBLY	LAMP KIT	HARNESS KIT	DRL KIT
985 UNIMOUNT® PLOW (continued)	BU	P 9.0	62035	60655	63568	56365	61550-1	63400	61584
	BV	P 9.0	62035	60655	63568	56365	61540-1	62917	-----
	BW	P 9.0	62035	60655	63568	56365	61550-1	63404	61584
	BX	P 9.0	62035	60655	63568	56365	61540-1	63396	-----
	BY	MVP 8.5	62035	62600	62650	66587	61550-1	63402	61584
	BZ	MVP 8.5	62035	62600	62650	66587	66640-2	62921	-----
	CA	MVP 8.5	62035	62600	62650	66587	61550-1	63406	61584
	CB	MVP 8.5	62035	62600	62650	66587	66640-2	63398	-----
	CC	LSX 7.2	62035	63472	63470	56545	61550-1	63400	61584
	CD	LSX 7.2	62035	63472	63470	56545	61540-1	62917	-----
	CE	LSX 7.2	62035	63472	63470	56545	61550-1	63404	61584
	CF	LSX 7.2	62035	63472	63470	56545	61540-1	63396	-----
	CG	LSX 7.2	62035	63472	63470	56545	61540-1	62525	61584
CH	LSX 7.2	62035	63472	63470	56545	61540-1	62525	-----	
995 UNIMOUNT® PLOW	AA	S 7.5	61775	60018	61720	56365	61540-1	61530	61584
	AB	S 7.5	61775	60018	61720	56365	61540-1	61530	-----
	AC	SY 7.5	61775	62110	62120	56365	61540-1	61530	61584
	AD	SY 7.5	61775	62110	62120	56365	61540-1	61530	-----
	AE	P 7.5	61775	60381	63568	56365	61540-1	61530	61584
	AF	P 7.5	61775	60381	63568	56365	61540-1	61530	-----
	AG	PY 7.5	61775	62400	63568	56365	61540-1	61530	61584
	AH	PY 7.5	61775	62400	63568	56365	61540-1	61530	-----
	AI	P 8.0	61775	60390	63568	56365	61540-1	61530	61584
	AJ	P 8.0	61775	60390	63568	56365	61540-1	61530	-----
	AK	P 8.5	61775	60308	63568	56365	61540-1	61530	61584
	AL	P 8.5	61775	60308	63568	56365	61540-1	61530	-----
	AM	P 9.0	61775	60655	63568	56365	61540-1	61530	61584
	AN	P 9.0	61775	60655	63568	56365	61540-1	61530	-----
	AO	S 7.5	61775	60018	61720	56365	61540-1	61565	-----
	AP	SY 7.5	61775	62110	62120	56365	61540-1	61565	-----
	AQ	P 7.5	61775	60381	63568	56365	61540-1	61565	-----
	AR	PY 7.5	61775	62400	63568	56365	61540-1	61565	-----
	AS	P 8.0	61775	60390	63568	56365	61540-1	61565	-----
	AT	P 8.5	61775	60308	63568	56365	61540-1	61565	-----
	AU	P 9.0	61775	60655	63568	56365	61540-1	61565	-----
	AV	LSX 7.2	61775	63472	63470	56545	61540-1	61530	61584
	AW	LSX 7.2	61775	63472	63470	56545	61540-1	61530	-----
	AX	LSX 7.2	61775	63472	63470	56545	61540-1	61565	-----
	AY	PY 8.0	61775	62450	63568	56365	61540-1	61530	61584
	AZ	PY 8.0	61775	62450	63568	56365	61540-1	61530	-----
BA	PY 8.0	61775	62450	63568	56365	61540-1	61565	-----	
BB	S 7.0	61775	60125	61720	56365	61540-1	61530	61584	
BC	S 7.0	61775	60125	61720	56365	61540-1	61530	-----	
BD	S 7.0	61775	60125	61720	56365	61540-1	61565	-----	

DODGE

COMPLETE PLOW			COMPONENT NUMBERS						
MODEL	OPTION	BLADE SIZE	MOUNT ASSEMBLY	BLADE ASSEMBLY	ATTACHMENT ASSEMBLY	HYDRAULIC ASSEMBLY	LAMP KIT	HARNESS KIT	DRL KIT
3915 UNIMOUNT® PLOW	BA	S 7.0	63620	60125	61720	56365	61540-1	63412	61584
	BB	S 7.0	63620	60125	61720	56365	61540-1	63412	-----
	BC	LSX 7.2	63620	63472	63470	56545	61540-1	63412	61584
	BD	LSX 7.2	63620	63472	63470	56545	61540-1	63412	-----
	BE	S 7.5	63620	60018	61720	56365	61540-1	63412	61584
	BF	S 7.5	63620	60018	61720	56365	61540-1	63412	-----
	BG	SY 7.5	63620	62110	62120	56365	61540-1	63412	61584
	BH	SY 7.5	63620	62110	62120	56365	61540-1	63412	-----
	BI	P 7.5	63620	60381	63568	56365	61540-1	63412	61584
	BJ	P 7.5	63620	60381	63568	56365	61540-1	63412	-----
	BK	PY 7.5	63620	62400	63568	56365	61540-1	63412	61584
	BL	PY 7.5	63620	62400	63568	56365	61540-1	63412	-----
	BM	S 7.0	63620	60125	61720	56365	61550-1	63404	61584
	BN	S 7.0	63620	60125	61720	56365	61540-1	63396	-----
	BO	LSX 7.2	63620	63472	63470	56545	61550-1	63404	61584
	BP	LSX 7.2	63620	63472	63470	56545	61540-1	63396	-----
	BQ	S 7.5	63620	60018	61720	56365	61550-1	63404	61584
	BR	S 7.5	63620	60018	61720	56365	61540-1	63396	-----
	BS	SY 7.5	63620	62110	62120	56365	61550-1	63404	61584
	BT	SY 7.5	63620	62110	62120	56365	61540-1	63396	-----
BU	P 7.5	63620	60381	63568	56365	61550-1	63404	61584	
BV	P 7.5	63620	60381	63568	56365	61540-1	63396	-----	
BW	PY 7.5	63620	62400	63568	56365	61550-1	63404	61584	
BX	PY 7.5	63620	62400	63568	56365	61540-1	63396	-----	

FORD F-SUPER DUTY FRONT SPRING CODES (LOCATED ON LOWER RIGHT HAND CORNER OF DOOR STICKER)

A verification of the actual spring rating may be required on F-250/350/450/550 built to date. The FGAWR value may not be correct on the rating label located on the drivers side door cornerpost. To verify this, compare the *first letter* of the spring code located on the lower right hand side of the rating label to the charts below to find the actual spring rating. Tires must be inflated to 65 psi for LT235 and 55 for LT265 to obtain proper tire capacity.

A vehicle certification label will have to be attached to the vehicles door cornerpost. Contact the National Truck-Equipment Association (N.T.E.A.) for information and certification labels. (800) 441-6832

Refer to service bulletin **SP716** for additional information.

SUPER DUTY F-SERIES / MODEL	CODE	FGAWR
F-250-350 2WD	B	3200
	C	3350
	D	3500
	E	3650
	F	3800
	G	3950
	H	4100
	I	4250
	J	4400
	K	4550
	L	4700

SUPER DUTY F-SERIES / MODEL	CODE	FGAWR
F-250-350 4x4	R	3600
	S	4000
	T	4400
	U	4800
	V	5200
	*W	5600
	*X	6000

* These options provide a
MAXIMUM FGAWR of 5200.

SUPER DUTY F-SERIES / MODEL	CODE	FGAWR
F-450-550	W	5600
	X	6000

FORD																																		
FOUR WHEEL DRIVE Vehicle Options								Plow Options (O) and Ballast Required (B)																										
MODEL/ CHASSIS	YEAR	BODY STYLE	OTHER	ENGINE(S)	MIN FGAWR	HEAD LAMP	DRL ?	PLOW MODEL	LSX 7.2		S 7.5		SY 7.5		P 7.5		PY 7.5		P 8.0		PY 8.0		P 8.5		P 9.0		MVP 8.5							
									O	B	O	B	O	B	O	B	O	B	O	B	O	B	O	B	O	B	O	B						
Bronco 4x4	1994-1996								NO APPLICATIONS AVAILABLE																									
	1992-1993		Front Air Bags Required	ALL	3800	HB-5	Y	1265 U	AM	0	AA	0	AC	0	AE	0	AH	50	AI	50	AK	50												
	1980-1991		Front Air Bags Required	ALL	3800	HB-1	Y	1345 U	AY	0	AA	0	AD	0	AG	50	AJ	100	AM	50	AV	100												
Excursion 4x4	2002			5.4L V8	4700	HB5	Y	3215 U	BK	0	AA	0	AE	0	AI	0	AM	200	AQ	150	AU	250												
				6.8L V10	4700	HB5	Y		BL	0	AB	0	AF	0	AJ	0	AN	200	AR	150	AV	250												
						2B	N		BA	0	AC	0	AF	0	AI	50	AL	100	AO	50	AX	100												
	2000-2001			5.4L V8	4700	HB5	Y	3215 U	BK	0	AA	0	AE	0	AI	0	AM	0	AQ	0	AU	50												
					4300	HB5	Y		BL	0	AB	0	AF	0	AJ	0	AN	0	AR	0	AV	50												
				6.8L V10	4700	HB5	Y		BK	300																								
F-150 Pick-up 4X4	2002	Reg Cab	6.5' Box Min. 6,300 lb. GVWR	5.4L V8	3660	HB5	Y	1225 U	AS	150	AA	250	AC	300	AE	500	AG	700	AI	600					AK	650								
					3400	HB5	Y		AT	150	AB	250	AD	300	AF	500	AH	700	AJ	600														
						N	AS		400																									
						N	AT		400																									
				6.5' Box Min. 6,250 lb. GVWR	4.6L V8	3660	HB5		Y	AS	200	AA	350	AC	350	AE	400	AG	550	AI	400	AO	550	AK	500									
						3400	HB5		Y	AT	200	AB	350	AD	350	AF	400	AH	550	AJ	400	AP	550	AL	500									
							N		AS	250	AA	850																						
							N		AT	250	AB	850																						
					5.4L V8	3660	HB5		Y	AS	200	AA	400	AC	550																			
						3400	HB5		Y	AT	200	AB	400	AD	550																			
				6.5' Box Min. 6,050 lb. GVWR	4.2L V6	3660	HB5		Y	AS	150	AA	300	AC	300	AE	350	AG	400	AI	350	AO	400	AK	400									
						3400	HB5		Y	AT	150	AB	300	AD	300	AF	350	AH	400	AJ	350	AP	400	AL	400									
						N	AS		150	AA	600																							
						N	AT		150	AB	600																							
					3200	HB5	Y		AS	750																								
						N	AT		750																									
			4.6L V8		3660	HB5	Y		AS	200	AA	300	AC	350	AE	400	AG	500	AI	400	AO	500	AK	450										
						3400	HB5		Y	AT	200	AB	300	AD	350	AF	400	AH	500	AJ	400	AP	500	AL	450									
							N		AS	200																								
							N		AT	200																								
						3200	HB5		Y	AS	950																							
							N		AT	950																								
			5.4L V8	3660	HB5	Y	AS		200	AA	300	AC	400																					
					3400	HB5	Y		AT	200	AB	300	AD	400																				
						N	AS		200																									
						N	AT		200																									
					3200	HB5	Y		AS	950																								
						N	AT		950																									
			8' Box Min. 7,700 lb. GVWR Snowplow prep. package recommended	5.4L V8	4150	HB5	Y		AS	150	AA	250	AC	300	AE	350	AG	350	AI	350	AO	400	AK	350	AM	400	AQ	450						
						Y	AT		150	AB	250	AD	300	AF	350	AH	350	AJ	350	AP	400	AL	350	AN	400	AR	450							
						N	AS		250																									
						N	AT		250																									
				8' Box Min. 6,300 lb. GVWR	4.6L V8	3660	HB5		Y	AS	300	AA	400	AC	550																			
						3400	HB5		Y	AT	300	AB	400	AD	550																			
							N		AS	800																								
							N		AT	800																								
	3400	HB5			Y	AS	300																											
		N			AT	300																												
8' Box Min. 6,000 lb. GVWR	4.2L V6	3660		HB5	Y	AS	250	AA	350	AC	400	AE	450			AI	550																	
		3400		HB5	Y	AT	250	AB	350	AD	400	AF	450			AJ	550																	
			N	AS	400																													
			N	AT	400																													
	4.6L V8	3660	HB5	Y	AS	250	AA	400	AC	500																								
		3400	HB5	Y	AT	250	AB	400	AD	500																								
SuperCab	6.5' Box Min. 7,700 lb. GVWR Snowplow prep. package recommended	5.4L V8	4150	HB5	Y	AS	150	AA	250	AC	250	AE	300	AG	350	AI	300	AO	350	AK	350	AM	350	AQ	450									
				Y	AT	150	AB	250	AD	250	AF	300	AH	350	AJ	300	AP	350	AL	350	AN	350	AR	450										
				N	AS	350																												
	6.5' Box Min. 6,500 lb. GVWR	5.4L V8	3660	HB5	Y	AS	350																											
				Y	AT	350																												
				N	AS	350																												

FORD

FOUR WHEEL DRIVE Vehicle Options								Plow Options (O) and Ballast Required (B)																												
MODEL/CHASSIS	YEAR	BODY STYLE	OTHER	ENGINE(S)	MIN FGAWR	HEAD LAMP	DRL ?	PLOW MODEL	LSX 7.2		S 7.5		SY 7.5		P 7.5		PY 7.5		P 8.0		PY 8.0		P 8.5		P 9.0		MVP 8.5									
									O	B	O	B	O	B	O	B	O	B	O	B	O	B	O	B	O	B	O	B								
F-150 Pick-up 4X4 (continued)	2002 (continued)	SuperCab (continued)	6.5' Box Min. 6,250 lb. GVWR	4.6L V8	3660	HB5	Y	1225 U	AS	200	AA	350	AC	550																						
					3400	HB5	Y		AT	200	AB	350	AD	550																						
				AS	800																															
				AT	800																															
				AS	250																															
		AT	250																																	
		AS	250																																	
		AT	250																																	
		AS	250																																	
		AT	250																																	
	AS	250																																		
	AT	250																																		
	AS	250																																		
	AT	250																																		
	AS	250																																		
	AT	250																																		
	AS	250																																		
	AT	250																																		
	AS	250																																		
	AT	250																																		
AS	250																																			
AT	250																																			
AS	250																																			
AT	250																																			
AS	250																																			
AT	250																																			
AS	250																																			
AT	250																																			
AS	250																																			
AT	250																																			
AS	250																																			
AT	250																																			
AS	250																																			
AT	250																																			
AS	250																																			
AT	250																																			
AS	250																																			
AT	250																																			
AS	250																																			
AT	250																																			
AS	250																																			
AT	250																																			
AS	250																																			
AT	250																																			
AS	250																																			
AT	250																																			
AS	250																																			
AT	250																																			
AS	250																																			
AT	250																																			
AS	250																																			
AT	250																																			
AS	250																																			
AT	250																																			
AS	250																																			
AT	250																																			
AS	250																																			
AT	250																																			
AS	250																																			
AT	250																																			
AS	250																																			
AT	250																																			
AS	250																																			
AT	250																																			

FORD

FOUR WHEEL DRIVE Vehicle Options										Plow Options (O) and Ballast Required (B)														
MODEL/ CHASSIS	YEAR	BODY STYLE	OTHER	ENGINE(S)	MIN FGAWR	HEAD LAMP	DRL ?	PLOW MODEL	LSX 7.2	S 7.5	SY 7.5	P 7.5	PY 7.5	P 8.0	PY 8.0	P 8.5	P 9.0	MVP 8.5						
									O B	O B	O B	O B	O B	O B	O B	O B	O B	O B						
F-150 Pick-up 4X4 (continued)	1997	Reg Cab	6' Box	5.4L V8	3700	HB5	Y	1225 U	AS 200	AA 350														
							N		AT 200	AB 350														
							Y		AS 300	AA 400														
							N		AT 300	AB 400														
							Y		AS 300	AA 400														
			N	AT 300	AB 400																			
			Y	AS 250																				
			N	AT 250																				
			Y	AS 300																				
			N	AT 300																				
	1992-1996	Reg Cab	6' Box Front Air Bags Required	5.0L V8	3450	HB-5	Y	1275 U	AM 200															
							N		AN 200															
							Y		AM 400															
							N		AN 400															
							Y		AM 100	AA 250	AC 250	AE 300	AG 350	AI 300	AK 350									
				N	AN 100	AB 250	AD 250		AF 300	AH 350	AJ 300	AL 350												
				Y	AM 450																			
				N	AN 450																			
				Y	AM 100	AA 200	AC 250		AE 300	AG 300	AI 300	AK 350												
				N	AN 100	AB 200	AD 250		AF 300	AH 300	AJ 300	AL 350												
				Y	AM 400																			
				N	AN 400																			
				Y	AM 100	AA 200	AC 250		AE 300	AG 350	AI 300	AK 350												
				N	AN 100	AB 200	AD 250		AF 300	AH 350	AJ 300	AL 350												
				Y	AM 400																			
			N	AN 400																				
			Y	AM 100	AA 200	AC 250	AE 300		AG 350	AI 300	AK 350													
			N	AN 100	AB 200	AD 250	AF 300		AH 350	AJ 300	AL 350													
			Y	AM 650																				
			N	AN 650																				
			Y	AM 200																				
			N	AN 200																				
			Y	AM 400																				
			N	AN 400																				
			Y	AM 150	AA 550																			
N	AN 150	AB 550																						
Y	AM 700																							
N	AN 700																							
Y	AM 150																							
N	AN 150																							
1980-1991	Reg Cab	6.75' Box Front Air Bags Required	4.9L I6	3250	HB-1	Y	1345 U	AY 650																
						N		AZ 650																
						2B		BA 650																
						Y		AY 400	AA 1000															
						N		AZ 400	AB 1000															
			2B	BA 400	AC 1000																			
			Y	AY 900																				
			N	AZ 900																				
			2B	BA 900																				
			Y	AY 350	AA 450	AD 500		AG 550	AJ 600	AM 550	AV 600													
			N	AZ 350	AB 450	AE 500		AH 550	AK 600	AN 550	AW 600													
			2B	BA 350	AC 450	AF 500		AI 550	AL 600	AO 550	AX 600													
			Y	AY 350	AA 750	AD 900																		
			N	AZ 350	AB 750	AE 900																		
			2B	BA 350	AC 750	AF 900																		
			Y	AY 800																				
			N	AZ 800																				
			2B	BA 800																				
			Y	AY 350	AA 450	AD 450		AG 500	AJ 550	AM 500	AV 550													
			N	AZ 350	AB 450	AE 450		AH 500	AK 550	AN 500	AW 550													
		2B	AY 350	AA 450	AD 450	AG 500		AJ 550	AM 500	AV 550														
		Y	AZ 350	AB 500	AE 650	AH 900																		
		N	AY 350	AA 500	AD 650	AG 900																		
		2B	AZ 350	AB 500	AE 650	AH 900																		
		Y	AY 550																					
		N	AZ 550																					
		2B	AY 550																					
		Y	AY 400	AA 500	AD 500	AG 550		AJ 600	AM 550	AV 600														
		N	AZ 400	AB 500	AE 500	AH 550		AK 600	AN 550	AW 600														
		2B	AY 400	AA 500	AD 500	AG 550		AJ 600	AM 550	AV 600														
		Y	AZ 400																					
		N	AY 400																					
		2B	AZ 400																					

FORD

FOUR WHEEL DRIVE Vehicle Options								Plow Options (O) and Ballast Required (B)																															
MODEL/ CHASSIS	YEAR	BODY STYLE	OTHER	ENGINE(S)	MIN FGAWR	HEAD LAMP	DRL ?	PLOW MODEL	LSX 7.2		S 7.5		SY 7.5		P 7.5		PY 7.5		P 8.0		PY 8.0		P 8.5		P 9.0		MVP 8.5												
									O	B	O	B	O	B	O	B	O	B	O	B	O	B	O	B	O	B	O	B	O	B	O	B	O	B					
F-150 Pick-up 4X4 (continued)	1980-1991 (continued)	SuperCab	6.75' Box Front Air Bags Required	4.9L I6	3625	HB-1	Y	1345 U	AY	250	AA	600																											
						N	AZ		250	AB	600																												
						N	BA		250	AC	600																												
				2B	Y	AY	200		AA	350	AD	500																											
				N	AZ	200	AB		350	AE	500																												
				N	BA	200	AC		350	AF	500																												
				8' Box Front Air Bags Required	4.9L I6	3625	HB-1		Y		AY	250																											
		N	AZ				250																																
		N	BA				250																																
		2B	Y				AY		400					AY	400																								
		N	AZ				400							AZ	400																								
		N	BA				400							BA	400																								
		5.0L V8	3625	3625	HB-1	Y		AY	200																														
N	AZ				200																																		
N	BA				200																																		
2B	Y																																						
N																																							
N																																							
F-250 Super Duty Pick-up 4x4 (Vehicles with cab lights also require kit # 61185) (See note on Spring Code and tire pressure on pg. 33)	2000-2002	Reg Cab	8' Box Snowplow prep. package recommended	5.4L V8	5200	HB5	Y	3215 U	BK	250	AA	350	AE	400	AI	450	AM	450	AQ	450	AU	500	AY	450	BC	500	BG	550											
						N	BL		250	AB	350	AF	400	AJ	450	AN	450	AR	450	AV	500	AZ	450	BD	500	BH	550												
						N	BM		250	AC	350	AG	400	AK	450	AO	450	AS	450	AW	500	BA	450	BE	500	BI	550												
						2B	Y		BN	250	AD	350	AH	400	AL	450	AP	450	AT	450	AX	500	BB	450	BF	500	BJ	550											
						N	BK		250	AA	350	AE	550	AI	800	AM	1000	AQ	900																				
						N	BL		250	AB	350	AF	550	AJ	800	AN	1000	AR	900																				
						4400	5200		5200	HB5	Y		BK	300	AA	400	AE	450	AI	500	AM	550	AQ	500	AU	550	AY	500	BC	550	BG	650							
				N	BL					300	AB	400	AF	450	AJ	500	AN	550	AR	500	AV	550	AZ	500	BD	550	BH	650											
				N	BM					300	AC	400	AG	450	AK	500	AO	550	AS	500	AW	550	BA	500	BE	550	BI	650											
				2B	Y					BN	300	AD	400	AH	450	AL	500	AP	550	AT	500	AX	550	BB	500	BF	550	BJ	650										
				N	BK					300	AA	950																											
				N	BL					300	AB	950																											
						4400	5200		5200	HB5	Y		BM	300	AC	950																							
				N	BN					300	AD	950																											
				2B	Y					BK	300	AA	600	AE	600	AI	650	AM	700	AQ	700	AU	700	AY	700	BC	700	BG	800										
				N	BL					500	AB	600	AF	600	AJ	650	AN	700	AR	700	AV	700	AZ	700	BD	700	BH	800											
				2B	Y					BM	500	AC	600	AG	600	AK	650	AO	700	AS	700	AW	700	BA	700	BE	700	BI	800										
				N	BN					500	AD	600	AH	600	AL	650	AP	700	AT	700	AX	700	BB	700	BF	700	BJ	800											
				7.3L V8 Diesel	5200	5200	HB5		Y		BK	500	AA	600	AE	600	AI	650	AM	700	AQ	700	AU	700	AY	700	BC	700	BG	800									
		N	BL				500		AB	600	AF	600	AJ	650	AN	700	AR	700	AV	700	AZ	700	BD	700	BH	800													
		2B	Y				BM		500	AC	600	AG	600	AK	650	AO	700	AS	700	AW	700	BA	700	BE	700	BI	800												
		N	BN				500		AD	600	AH	600	AL	650	AP	700	AT	700	AX	700	BB	700	BF	700	BJ	800													
		2B	Y				BK		500																														
		N	BL				500																																
				4800	5200	5200	HB5		Y		BM	500																											
		N	BN				500																																
		2B	Y				BK		500	AA	600	AE	650	AI	650	AM	700	AQ	700	AU	700	AY	700	BC	700	BG	1000												
		N	BL				500		AB	600	AF	650	AJ	650	AN	700	AR	700	AV	700	AZ	700	BD	700	BH	1000													
		2B	Y				BM		500	AC	600	AG	650	AK	650	AO	700	AS	700	AW	700	BA	700	BE	700	BI	1000												
		N	BN				500		AD	600	AH	650	AL	650	AP	700	AT	700	AX	700	BB	700	BF	700	BJ	1000													
				SuperCab	7' Box Snowplow prep. package recommended	5.4L V8	5200		HB5	Y		BK	250	AA	350	AE	400	AI	450	AM	500	AQ	450	AU	500	AY	450	BC	500	BG	600								
		N	BL						250	AB	350	AF	400	AJ	450	AN	500	AR	450	AV	500	AZ	450	BD	500	BH	600												
		N	BM						250	AC	350	AG	400	AK	450	AO	500	AS	450	AW	500	BA	450	BE	500	BI	600												
		2B	Y						BN	250	AD	350	AH	400	AL	450	AP	500	AT	450	AX	500	BB	450	BF	500	BJ	600											
		N	BK						250	AA	550	AE	750	AI	1000																								
		N	BL						250	AB	550	AF	750	AJ	1000																								
		4400	5200	5200	HB5	Y		BM	250	AC	550	AG	750	AK	1000																								
N	BN				250	AD	550	AH	750	AL	1000																												
2B	Y				BK	350	AA	450	AE	450	AI	500	AM	550	AQ	500	AU	550	AY	550	BC	550	BG	650															
N	BL				350	AB	450	AF	450	AJ	500	AN	550	AR	500	AV	550	AZ	550	BD	550	BH	650																
2B	Y				BM	350	AC	450	AG	450	AK	500	AO	550	AS	500	AW	550	BA	550	BE	550	BI	650															
N	BN				350	AD	450	AH	450	AL	500	AP	550	AT	500	AX	550	BB	550	BF	550	BJ	650																
		7.3L V8 Diesel	5200	5200	HB5	Y		BK	500	AA	600	AE	650	AI	650	AM	700	AQ	700	AU	700	AY	700	BC	700	BG	1000												
N	BL				500	AB	600	AF	650	AJ	650	AN																											

FORD

FOUR WHEEL DRIVE Vehicle Options										Plow Options (O) and Ballast Required (B)																													
MODEL/ CHASSIS	YEAR	BODY STYLE	OTHER	ENGINE(S)	MIN FGAWR	HEAD LAMP	DRL ?	PLOW MODEL	LSX 7.2		S 7.5		SY 7.5		P 7.5		PY 7.5		P 8.0		PY 8.0		P 8.5		P 9.0		MVP 8.5												
									O	B	O	B	O	B	O	B	O	B	O	B	O	B	O	B	O	B	O	B	O	B	O	B	O	B					
F-250 Super Duty Pick-up 4x4 (Vehicles with cab lights also require kit # 61185) (See note on Spring Code and tire pressure on pg. 33) (continued)	2000-2002 (continued)	SuperCab (continued)	8' Box Snowplow prep. package recommended	5.4L V8	5200	HB5	Y	3215 U	BK	250	AA	350	AE	350	AI	400	AM	450	AQ	400	AU	450	AY	450	BC	450	BG	550											
							BL		250	AB	350	AF	350	AJ	400	AN	450	AR	400	AV	450	AZ	450	BD	450	BH	550												
						BM	250		AC	350	AG	350	AK	400	AO	450	AS	400	AW	450	BA	450	BE	450	BI	550													
						BN	250		AD	350	AH	350	AL	400	AP	450	AT	400	AX	450	BB	450	BF	450	BJ	550													
						BK	250		AA	350	AE	350	AI	400	AM	450	AQ	400	AU	450	AY	450	BC	450	BG	650													
					BL	250	AB		350	AF	350	AJ	400	AN	450	AR	400	AV	450	AZ	450	BD	450	BH	650														
					BM	250	AC		350	AG	350	AK	400	AO	450	AS	400	AW	450	BA	450	BE	450	BI	650														
					BN	250	AD		350	AH	350	AL	400	AP	450	AT	400	AX	450	BB	450	BF	450	BJ	650														
					BK	400																																	
					BL	400																																	
				BM	400																																		
				BN	400																																		
				BK	300	AA	400		AE	450	AI	450	AM	500	AQ	500	AU	500	AY	500	BC	500	BG	600															
				BL	300	AB	400		AF	450	AJ	450	AN	500	AR	500	AV	500	AZ	500	BD	500	BH	600															
				BM	300	AC	400		AG	450	AK	450	AO	500	AS	500	AW	500	BA	500	BE	500	BI	600															
				BN	300	AD	400		AH	450	AL	450	AP	500	AT	500	AX	500	BB	500	BF	500	BJ	600															
				BK	300	AA	400		AE	400	AI	450	AM	650	AQ	500	AU	700	AY	600	BC	750																	
				BL	300	AB	400		AF	400	AJ	450	AN	650	AR	500	AV	700	AZ	600	BD	750																	
				BM	300	AC	400		AG	400	AK	450	AO	650	AS	500	AW	700	BA	600	BE	750																	
				BN	300	AD	400		AH	400	AL	450	AP	650	AT	500	AX	700	BB	600	BF	750																	
				BK	450	AA	550		AE	600	AI	600	AM	850	AQ	700	AU	900	AY	800	BC	950																	
				BL	450	AB	550		AF	600	AJ	600	AN	850	AR	700	AV	900	AZ	800	BD	950																	
				BM	450	AC	550		AG	600	AK	600	AO	850	AS	700	AW	900	BA	800	BE	950																	
				BN	450	AD	550		AH	600	AL	600	AP	850	AT	700	AX	900	BB	800	BF	950																	
				BK	200	AA	300		AE	300	AI	350	AM	400	AQ	400	AU	400	AY	400	BC	400	BG	500															
				BL	200	AB	300		AF	300	AJ	350	AN	400	AR	400	AV	400	AZ	400	BD	400	BH	500															
				BM	200	AC	300		AG	300	AK	350	AO	400	AS	400	AW	400	BA	400	BE	400	BI	500															
				BN	200	AD	300		AH	300	AL	350	AP	400	AT	400	AX	400	BB	400	BF	400	BJ	500															
				BK	200	AA	300		AE	300	AI	350	AM	400	AQ	350	AU	400	AY	400	BC	400	BG	800															
				BL	200	AB	300		AF	300	AJ	350	AN	400	AR	350	AV	400	AZ	400	BD	400	BH	800															
				BM	200	AC	300		AG	300	AK	350	AO	400	AS	350	AW	400	BA	400	BE	400	BI	800															
				BN	200	AD	300		AH	300	AL	350	AP	400	AT	350	AX	400	BB	400	BF	400	BJ	800															
				BK	550																																		
				BL	550																																		
				BM	550																																		
				BN	550																																		
				BK	250	AA	350		AE	400	AI	400	AM	450	AQ	450	AU	450	AY	450	BC	450	BG	550															
				BL	250	AB	350		AF	400	AJ	400	AN	450	AR	450	AV	450	AZ	450	BD	450	BH	550															
				BM	250	AC	350		AG	400	AK	400	AO	450	AS	450	AW	450	BA	450	BE	450	BI	550															
				BN	250	AD	350		AH	400	AL	400	AP	450	AT	450	AX	450	BB	450	BF	450	BJ	550															
				BK	250	AA	350		AE	350	AI	550	AM	800	AQ	650	AU	850	AY	750	BC	900																	
				BL	250	AB	350		AF	350	AJ	550	AN	800	AR	650	AV	850	AZ	750	BD	900																	
				BM	250	AC	350		AG	350	AK	550	AO	800	AS	650	AW	850	BA	750	BE	900																	
				BN	250	AD	350		AH	350	AL	550	AP	800	AT	650	AX	850	BB	750	BF	900																	
				BK	400	AA	500		AE	550	AI	700	AM	950	AQ	800	AU	1000	AY	900																			
				BL	400	AB	500		AF	550	AJ	700	AN	950	AR	800	AV	1000	AZ	900																			
				BM	400	AC	500		AG	550	AK	700	AO	950	AS	800	AW	1000	BA	900																			
				BN	400	AD	500		AH	550	AL	700	AP	950	AT	800	AX	1000	BB	900																			
				BK	200	AA	300		AE	350	AI	350	AM	400	AQ	400	AU	400	AY	400	BC	400	BG	500															
				BL	200	AB	300		AF	350	AJ	350	AN	400	AR	400	AV	400	AZ	400	BD	400	BH	500															
		BM	200	AC	300	AG	350		AK	350	AO	400	AS	400	AW	400	BA	400	BE	400	BI	500																	
		BN	200	AD	300	AH	350		AL	350	AP	400	AT	400	AX	400	BB	400	BF	400	BJ	500																	
		BK	200	AA	300	AE	300		AI	350	AM	600	AQ	450	AU	650	AY	550	BC	700																			
		BL	200	AB	300	AF	300		AJ	350	AN	600	AR	450	AV	650	AZ	550	BD	700																			
		BM	200	AC	300	AG	300		AK	350	AO	600	AS	450	AW	650	BA	550	BE	700																			
		BN	200	AD	300	AH	300		AL	350	AP	600	AT	450	AX	650	BB	550	BF	700																			
		BK	250	AA	350	AE	400		AI	450	AM	450	AQ	450	AU	450	AY	450	BC	500	BG	550																	
		BL	250	AB	350	AF	400		AJ	450	AN	450	AR	450	AV	450	AZ	450	BD	500	BH	550																	
		BM	250	AC	350	AG	400		AK	450	AO	450	AS	450	AW	450	BA	450	BE	500	BI	550																	
		BN	250	AD	350	AH	400		AL	450	AP	450	AT	450	AX	450	BB	450	BF	500	BJ	550																	
		BK	250	AA	500	AE	750																																
		BL	250	AB	500	AF	750																																
		BM	250	AC	500	AG	750																																
		BN	250	AD	500	AH	750																																
		BK	450	AA	750	AE	950																																
		BL	450	AB	750	AF	950																																
		BM	450	AC	750	AG	950																																
		BN	450	AD	750	AH	950																																

FORD

FOUR WHEEL DRIVE Vehicle Options				Plow Options (O) and Ballast Required (B)																														
MODEL/ CHASSIS	YEAR	BODY STYLE	OTHER	ENGINE(S)	MIN FGAWR	HEAD LAMP	DRL ?	PLOW MODEL	LSX 7.2		S 7.5		SY 7.5		P 7.5		PY 7.5		P 8.0		PY 8.0		P 8.5		P 9.0		MVP 8.5							
									O	B	O	B	O	B	O	B	O	B	O	B	O	B	O	B	O	B	O	B	O	B	O	B	O	B
F-250 Super Duty Pick-up 4x4 (Vehicles with cab lights also require kit # 61185) (See note on Spring Code and tire pressure on pg. 33) (continued)	1999	Reg Cab	8' Box Snowplow prep. package recommended	5.4L V8	5200	HB5	Y	3215 U	BK	200	AA	300	AE	300	AI	350	AM	400	AQ	400	AU	400	AY	400	BC	450	BG	500						
							N		BL	200	AB	300	AF	300	AJ	350	AN	400	AR	400	AV	400	AZ	400	BD	450	BH	500						
						Y	BM		200	AC	300	AG	300	AK	350	AO	400	AS	400	AW	400	BA	400	BE	450	BI	500							
						N	BN		200	AD	300	AH	300	AL	350	AP	400	AT	400	AX	400	BB	400	BF	450	BJ	500							
						Y	BK		200	AA	300	AE	350	AJ	400	AM	400	AQ	400	AU	450	AY	400	BC	450	BG	500							
					N	BL	200		AB	300	AF	350	AI	400	AN	400	AR	400	AV	450	AZ	400	BD	450	BH	500								
					Y	BM	200		AC	300	AG	350	AK	400	AO	400	AS	400	AW	450	BA	400	BE	450	BI	500								
					N	BN	200		AD	300	AH	350	AL	400	AP	400	AT	400	AX	450	BB	400	BF	450	BJ	500								
					Y	BK	200		AA	300	AE	350	AJ	400	AM	400	AQ	400	AU	450	AY	400	BC	450	BG	500								
					N	BL	200		AB	300	AF	350	AI	400	AN	400	AR	400	AV	450	AZ	400	BD	450	BH	500								
				Y	BM	200	AC		300	AG	350	AK	400	AO	400	AS	400	AW	450	BA	400	BE	450	BI	500									
				N	BN	200	AD		300	AH	350	AL	400	AP	400	AT	400	AX	450	BB	400	BF	450	BJ	500									
				Y	BK	200	AA		300	AE	350	AJ	400	AM	400	AQ	400	AU	450	AY	400	BC	450	BG	500									
				N	BL	200	AB		300	AF	350	AI	400	AN	400	AR	400	AV	450	AZ	400	BD	450	BH	500									
				Y	BM	200	AC		300	AG	350	AK	400	AO	400	AS	400	AW	450	BA	400	BE	450	BI	500									
				N	BN	200	AD		300	AH	350	AL	400	AP	400	AT	400	AX	450	BB	400	BF	450	BJ	500									
				Y	BK	200	AA		300	AE	350	AJ	400	AM	400	AQ	400	AU	450	AY	400	BC	450	BG	500									
				N	BL	200	AB		300	AF	350	AI	400	AN	400	AR	400	AV	450	AZ	400	BD	450	BH	500									
				Y	BM	200	AC		300	AG	350	AK	400	AO	400	AS	400	AW	450	BA	400	BE	450	BI	500									
				N	BN	200	AD		300	AH	350	AL	400	AP	400	AT	400	AX	450	BB	400	BF	450	BJ	500									
				Y	BK	200	AA		300	AE	350	AJ	400	AM	400	AQ	400	AU	450	AY	400	BC	450	BG	500									
				N	BL	200	AB		300	AF	350	AI	400	AN	400	AR	400	AV	450	AZ	400	BD	450	BH	500									
				Y	BM	200	AC		300	AG	350	AK	400	AO	400	AS	400	AW	450	BA	400	BE	450	BI	500									
				N	BN	200	AD		300	AH	350	AL	400	AP	400	AT	400	AX	450	BB	400	BF	450	BJ	500									
				Y	BK	200	AA		300	AE	350	AJ	400	AM	400	AQ	400	AU	450	AY	400	BC	450	BG	500									
				N	BL	200	AB		300	AF	350	AI	400	AN	400	AR	400	AV	450	AZ	400	BD	450	BH	500									
				Y	BM	200	AC		300	AG	350	AK	400	AO	400	AS	400	AW	450	BA	400	BE	450	BI	500									
				N	BN	200	AD		300	AH	350	AL	400	AP	400	AT	400	AX	450	BB	400	BF	450	BJ	500									
				Y	BK	200	AA		300	AE	350	AJ	400	AM	400	AQ	400	AU	450	AY	400	BC	450	BG	500									
				N	BL	200	AB		300	AF	350	AI	400	AN	400	AR	400	AV	450	AZ	400	BD	450	BH	500									
				Y	BM	200	AC		300	AG	350	AK	400	AO	400	AS	400	AW	450	BA	400	BE	450	BI	500									
				N	BN	200	AD		300	AH	350	AL	400	AP	400	AT	400	AX	450	BB	400	BF	450	BJ	500									
				Y	BK	200	AA		300	AE	350	AJ	400	AM	400	AQ	400	AU	450	AY	400	BC	450	BG	500									
				N	BL	200	AB		300	AF	350	AI	400	AN	400	AR	400	AV	450	AZ	400	BD	450	BH	500									
				Y	BM	200	AC		300	AG	350	AK	400	AO	400	AS	400	AW	450	BA	400	BE	450	BI	500									
				N	BN	200	AD		300	AH	350	AL	400	AP	400	AT	400	AX	450	BB	400	BF	450	BJ	500									
				Y	BK	200	AA		300	AE	350	AJ	400	AM	400	AQ	400	AU	450	AY	400	BC	450	BG	500									
				N	BL	200	AB		300	AF	350	AI	400	AN	400	AR	400	AV	450	AZ	400	BD	450	BH	500									
				Y	BM	200	AC		300	AG	350	AK	400	AO	400	AS	400	AW	450	BA	400	BE	450	BI	500									
				N	BN	200	AD		300	AH	350	AL	400	AP	400	AT	400	AX	450	BB	400	BF	450	BJ	500									
				Y	BK	200	AA		300	AE	350	AJ	400	AM	400	AQ	400	AU	450	AY	400	BC	450	BG	500									
				N	BL	200	AB		300	AF	350	AI	400	AN	400	AR	400	AV	450	AZ	400	BD	450	BH	500									
				Y	BM	200	AC		300	AG	350	AK	400	AO	400	AS	400	AW	450	BA	400	BE	450	BI	500									
				N	BN	200	AD		300	AH	350	AL	400	AP	400	AT	400	AX	450	BB	400	BF	450	BJ	500									
				Y	BK	200	AA		300	AE	350	AJ	400	AM	400	AQ	400	AU	450	AY	400	BC	450	BG	500									
				N	BL	200	AB		300	AF	350	AI	400	AN	400	AR	400	AV	450	AZ	400	BD	450	BH	500									
				Y	BM	200	AC		300	AG	350	AK	400	AO	400	AS	400	AW	450	BA	400	BE	450	BI	500									
				N	BN	200	AD		300	AH	350	AL	400	AP	400	AT	400	AX	450	BB	400	BF	450	BJ	500									
				Y	BK	200	AA		300	AE	350	AJ	400	AM	400	AQ	400	AU	450	AY	400	BC	450	BG	500									
				N	BL	200	AB		300	AF	350	AI	400	AN	400	AR	400	AV	450	AZ	400	BD	450	BH	500									
		Y	BM	200	AC	300	AG		350	AK	400	AO	400	AS	400	AW	450	BA	400	BE	450	BI	500											
		N	BN	200	AD	300	AH		350	AL	400	AP	400	AT	400	AX	450	BB	400	BF	450	BJ	500											
		Y	BK	200	AA	300	AE		350	AJ	400	AM	400	AQ	400	AU	450	AY	400	BC	450	BG	500											
		N	BL	200	AB	300	AF		350	AI	400	AN	400	AR	400	AV	450	AZ	400	BD	450	BH	500											
		Y	BM	200	AC	300	AG		350	AK	400	AO	400	AS	400	AW	450	BA	400	BE	450	BI	500											
		N	BN	200	AD	300	AH		350	AL	400	AP	400	AT	400	AX	450	BB	400	BF	450	BJ	500											
		Y	BK	400	AA	500	AE		700	AI	950																							
		N	BL	250	AB	500	AF		700	AJ	950																							
		Y	BM	250	AC	500	AG		700	AK	950																							
		N	BN	250	AD	500	AH		700	AL	950																							
		Y	BK	250	AA	500	AE		700	AI	950																							
		N	BL	250	AB	500	AF		700	AJ	950																							
		Y	BM	250	AC	500	AG		700	AK	950																							
		N	BN	250	AD	500	AH		700	AL	950																							
		Y	BK	400	AA	500	AE		550	AI	550	AM	600	AQ	600	AU	600	AY	600	BC	600	BG	700											
		N	BL	400	AB	500	AF		550	AJ	550	AN	600	AR	600	AV	600	AZ	600	BD	600	BH	700											
		Y	BM	400	AC	500	AG		550	AK	550																							

FORD

FOUR WHEEL DRIVE Vehicle Options									Plow Options (O) and Ballast Required (B)																								
MODEL/ CHASSIS	YEAR	BODY STYLE	OTHER	ENGINE(S)	MIN FGAWR	HEAD LAMP	DRL ?	PLOW MODEL	LSX 7.2		S 7.5		SY 7.5		P 7.5		PY 7.5		P 8.0		PY 8.0		P 8.5		P 9.0		MVP 8.5						
									O	B	O	B	O	B	O	B	O	B	O	B	O	B	O	B	O	B	O	B					
F-250 Super Duty Pick-up 4x4 (Vehicles with cab lights also require kit # 61185) (See note on Spring Code and tire pressure on pg. 33) (continued)	1999 (continued)	Crew Cab (continued)	8' Box Snowplow prep. package recommended	5.4L V8	5200	HB5	Y	3215 U	BK	200	AA	300	AE	300	AI	350	AM	400	AQ	350	AU	400	AY	400	BC	400	BG	500					
							BL		200	AB	300	AF	300	AJ	350	AN	400	AR	350	AV	400	AZ	400	BD	400	BH	500						
							BM		200	AC	300	AG	300	AK	350	AO	400	AS	350	AW	400	BA	400	BE	400	BI	500						
						BN	200		AD	300	AH	300	AL	350	AP	400	AT	350	AX	400	BB	400	BF	400	BJ	500							
						BK	200		AA	300	AE	350	AI	400	AM	650	AQ	500	AU	700	AY	600	BC	750									
						BL	200		AB	300	AF	350	AJ	400	AN	650	AR	500	AV	700	AZ	600	BD	750									
				BM	200	AC	300		AG	350	AK	400	AO	650	AS	500	AW	700	BA	600	BE	750											
				BN	200	AD	300		AH	350	AL	400	AP	650	AT	500	AX	700	BB	600	BF	750											
				BK	250	AA	350		AE	350	AI	400	AM	450	AQ	400	AU	450	AY	450	BC	450	BG	500									
				BL	250	AB	350		AF	350	AJ	400	AN	450	AR	400	AV	450	AZ	450	BD	450	BH	500									
				BM	250	AC	350		AG	350	AK	400	AO	450	AS	400	AW	450	BA	450	BE	450	BI	500									
				BN	250	AD	350		AH	350	AL	400	AP	450	AT	400	AX	450	BB	450	BF	450	BJ	500									
				BK	250	AA	350		AE	550	AI	850			AQ	1000																	
				BL	250	AB	350		AF	550	AJ	850			AR	1000																	
				BM	250	AC	350		AG	550	AK	850			AS	1000																	
				BN	250	AD	350		AH	550	AL	850			AT	1000																	
				BK	400	AA	500		AE	700																							
				BL	400	AB	500		AF	700																							
				BM	400	AC	500		AG	700																							
				BN	400	AD	500		AH	700																							
				F-250 LD Pick-up 4x4 May require bumper notching	1999	Reg Cab	8' Box Snowplow prep. package recommended		4.6L V8	4150	HB5	Y	1225 U	AS	200	AA	300	AC	300	AE	350	AG	400	AI	400	AO	400	AK	400	AM	400	AQ	500
												AT		200	AB	300	AD	300	AF	350	AH	400	AJ	400	AP	400	AL	400	AN	400	AR	500	
												AS		200	AA	300	AC	300	AE	350	AG	400	AI	400	AO	450							
									AT	200	AB	300		AD	300	AF	350	AH	400	AJ	400	AP	450										
AS	300																																
AT	300																																
AS	200	AA	300				AC	350	AE	400	AG	450		AI	400	AO	450	AK	450	AM	450	AQ	500										
AT	200	AB	300				AD	350	AF	400	AH	450		AJ	400	AP	450	AL	450	AN	450	AR	500										
AS	200	AA	300				AC	350	AE	650	AG	900		AI	750	AO	950																
AT	200	AB	300				AD	350	AF	650	AH	900		AJ	750	AP	950																
AS	800																																
AT	800																																
AS	150	AA	250			AC	250	AE	300	AG	400	AI		350	AO	450																	
AT	150	AB	250			AD	250	AF	300	AH	400	AJ		350	AP	450																	
AS	300																																
AT	300																																
AS	150	AA	300			AC	300	AE	600	AG	900	AI		750	AO	950																	
AT	150	AB	300			AD	300	AF	600	AH	900	AJ		750	AP	950																	
AS	800																																
AT	800																																
Reg Cab	8' Box Snowplow prep. package recommended	4.6L V8	4150			HB5	Y	AS	200	AA	300	AC		300	AE	350	AG	400	AI	400	AO	400	AK	400	AM	400	AQ	500					
							N	AT	200	AB	300	AD		300	AF	350	AH	400	AJ	400	AP	400	AL	400	AN	400	AR	500					
							Y	AS	200	AA	300	AC		300	AE	350	AG	400	AI	400	AO	450											
		N	AT			200	AB	300	AD	300	AF	350		AH	400	AJ	400	AP	450														
		Y	AS	300																													
		N	AT	300																													
	AS	200	AA	300	AC	350	AE	400	AG	450	AI	400	AO	450	AK	450	AM	450	AQ	500													
	N	AT	200	AB	300	AD	350	AF	400	AH	450	AJ	400	AP	450	AL	450	AN	450	AR	500												
	Y	AS	200	AA	300	AC	350	AE	650	AG	900	AI	750	AO	950																		
	N	AT	200	AB	300	AD	350	AF	650	AH	900	AJ	750	AP	950																		
	Y	AS	800																														
	N	AT	800																														
X-Cab	6.5' Box Snowplow prep. package recommended	4.6L V8	3950	HB5	Y	AS	150	AA	250	AC	250	AE	300	AG	400	AI	350	AO	450														
					N	AT	150	AB	250	AD	250	AF	300	AH	400	AJ	350	AP	450														
		Y	AS	300																													
	N	AT	300																														
	Y	AS	150	AA	300	AC	300	AE	600	AG	900	AI	750	AO	950																		
	N	AT	150	AB	300	AD	300	AF	600	AH	900	AJ	750	AP	950																		
Y	AS	800																															
N	AT	800																															
Reg Cab	8' Box Snowplow prep. package recommended	4.6L V8	4150	HB5	Y	AS	200	AA	300	AC	300	AE	350	AG	400	AI	400	AO	400	AK	400	AM	400	AQ	500								
					N	AT	200	AB	300	AD	300	AF	350	AH	400	AJ	400	AP	400	AL	400	AN	400	AR	500								
					Y	AS	200	AA	300	AC	300	AE	350	AG	400	AI	400	AO	450														
		N	AT	200	AB	300	AD	300	AF	350	AH	400	AJ	400	AP	450																	
		Y	AS	300																													
		N	AT	300																													
	AS	200	AA	300	AC	350	AE	400	AG	450	AI	400	AO	450	AK	450	AM	450	AQ	500													
	N	AT	200	AB	300	AD	350	AF	400	AH	450	AJ	400	AP	450	AL	450	AN	450	AR	500												
	Y	AS	200	AA	300	AC	350	AE	650	AG	900	AI	750	AO	950																		
	N	AT	200	AB	300	AD	350	AF	650	AH	900	AJ	750	AP	950																		
	Y	AS	800																														
	N	AT	800																														
Reg Cab	8' Box Snowplow prep. package recommended	4.6L V8	4150	HB5	Y	AS	200	AA	300	AC	300	AE	350	AG	400	AI	400	AO	400	AK	400	AM	400	AQ	500								
					N	AT	200	AB	300	AD	300	AF	350	AH	400	AJ	400	AP	400	AL	400	AN	400	AR	500								
		Y	AS	200	AA	300	AC	300	AE	350	AG	400	AI	400	AO	450																	
	N	AT	200	AB	300	AD	300	AF	350	AH	400	AJ	400	AP	450																		
	Y	AS	200	AA	300	AC	350	AE	400	AG	450	AI	400	AO	450	AK	450	AM	450	AQ	500												
	N	AT	200	AB	300	AD	350	AF	400	AH	450	AJ	400	AP	450	AL	450	AN	450	AR	500												

FORD

FOUR WHEEL DRIVE Vehicle Options										Plow Options (O) and Ballast Required (B)																							
MODEL/ CHASSIS	YEAR	BODY STYLE	OTHER	ENGINE(S)	MIN FGAWR	HEAD LAMP	DRL ?	PLOW MODEL	LSX 7.2	S 7.5	SY 7.5	P 7.5	PY 7.5	P 8.0	PY 8.0	P 8.5	P 9.0	MVP 8.5															
									O	B	O	B	O	B	O	B	O	B	O	B													
F-250 HD Pick-up 4x4 May require bumper notching	1992-1997	Reg Cab	8' Box Snowplow prep. package recommended	5.8L V8	4600	HB5	Y	1295 U	AS	0	AA	100	AC	100	AE	150	AG	200	AI	150	AO	200	AK	200	AM	200	AQ	300					
									AT	0	AB	100	AD	100	AF	150	AH	200	AJ	150	AP	200	AL	200	AN	200	AR	300					
					AS	650																											
					AT	650																											
					AS	50	AA		200	AC	200	AE	250	AG	300	AI	250	AO	300	AK	300	AM	300	AQ	400								
				AT	50	AB	200		AD	200	AF	250	AH	300	AJ	250	AP	300	AL	300	AN	300	AR	400									
				AS	650																												
				AT	650																												
				AS	150	AA	250		AC	300	AE	350	AG	500	AI	350	AO	550	AK	450	AM	550											
				AT	150	AB	250		AD	300	AE	350	AH	500	AJ	350	AP	550	AL	450	AN	550											
		AS	100	AA	200	AC	250		AE	300	AG	300	AI	300	AO	350	AK	300	AM	350	AQ	400											
		AT	100	AB	200	AD	250		AE	300	AH	300	AJ	300	AP	350	AL	300	AN	350	AR	400											
		AS	200	AA	300	AC	500		AE	750	AG	1000	AI	850																			
		AT	200	AB	300	AD	500		AE	750	AH	1000	AJ	850																			
		AS	0	AA	100	AC	100		AE	150	AG	200	AI	150	AO	200	AK	200	AM	200	AQ	300											
		AT	0	AB	100	AD	100		AF	150	AH	200	AJ	150	AP	200	AL	200	AN	200	AR	300											
		AS	750																														
		AT	750																														
		AS	1000																														
		AT	1000																														
	AS	100	AA	200	AC	200	AE	250	AG	300	AI	250	AO	300	AK	300	AM	300	AQ	400													
	AT	100	AB	200	AD	200	AF	250	AH	300	AJ	250	AP	300	AL	300	AN	300	AR	400													
	AS	200	AA	500	AC	700	AE	1000																									
	AT	200	AB	500	AD	7000	AF	1000																									
	AS	100	AA	200	AC	200	AE	250	AG	300	AI	250	AO	350	AK	300	AM	400	AQ	1000													
	AT	100	AB	200	AD	200	AF	250	AH	300	AJ	250	AP	350	AL	300	AN	400	AR	1000													
	AS	800																															
	AT	800																															
	1980-1991	Reg Cab	8' Box Snowplow prep. package recommended	5.8L V8	4600	HB-1	Y	1345 U	AY	300	AA	400	AD	450	AG	450	AJ	500	AM	500	AV	500	AP	500	AS	500	BB	600					
									AZ	300	AB	400	AE	450	AH	450	AK	500	AN	500	AW	500	AQ	500	AT	500	BC	600					
					BA	300	AC		400	AF	450	AI	450	AL	500	AO	500	AX	500	AR	500	AU	500	BD	600								
					AY	300	AA		550	AD	750	AG	1000																				
					AZ	300	AB		550	AE	750	AH	1000																				
				BA	300	AC	550		AF	750	AI	1000																					
				AY	350	AA	450		AD	500	AG	550	AJ	550	AM	550	AV	600	AP	550	AS	600	BB	650									
				AZ	350	AB	450		AE	500	AH	550	AK	550	AN	550	AW	600	AQ	550	AT	600	BC	650									
				BA	350	AC	450		AF	500	AI	550	AL	550	AO	550	AX	600	AR	550	AU	600	BD	650									
				AY	650																												
			AZ	650																													
			BA	650																													
AY			450	AA	550	AD	550		AG	600	AJ	650	AM	600	AV	650	AP	650	AS	650	BB	1000											
AZ			450	AB	550	AE	550		AH	600	AK	650	AN	600	AW	650	AQ	650	AT	650	BC	1000											
BA			450	AC	550	AF	550		AI	600	AL	650	AO	600	AX	650	AR	650	AU	650	BD	1000											
AY			250	AA	350	AD	350		AG	400	AJ	450	AM	400	AV	450	AP	450	AS	450	BB	550											
AZ			250	AB	350	AE	350		AH	400	AK	450	AN	400	AW	450	AQ	450	AT	450	BC	550											
BA			250	AC	350	AF	350		AI	400	AL	450	AO	400	AX	450	AR	450	AU	450	BD	550											
AY			250	AA	350	AD	350		AG	400	AJ	450	AM	400	AV	450	AP	450	AS	450	BB	700											
AZ			250	AB	350	AE	350		AH	400	AK	450	AN	400	AW	450	AQ	450	AT	450	BC	700											
BA		250	AC	350	AF	350	AI	400	AL	450	AO	400	AX	450	AR	450	AU	450	BD	700													
AY		900																															
AZ		900																															
BA		900																															
AY		300	AA	400	AD	450	AG	500	AJ	500	AM	500	AV	500	AP	500	AS	550	BB	650													
AZ		300	AB	400	AE	450	AH	500	AK	500	AN	500	AW	500	AQ	500	AT	550	BC	650													
BA		300	AC	400	AF	450	AI	500	AL	500	AO	500	AX	500	AR	500	AU	550	BD	650													
AY		300	AA	400	AD	450	AG	600	AJ	850	AM	700	AV	900	AP	850	AS	950															
AZ		300	AB	400	AE	450	AH	600	AK	850	AN	700	AW	900	AQ	850	AT	950															
BA		300	AC	400	AF	450	AI	600	AL	850	AO	700	AX	900	AR	850	AU	950															
AY		400	AA	1000																													
AZ		400	AB	1000																													
BA		400	AC	1000																													
F-250 Pick-up 4x4 May require bumper notching		1980-1991	Reg Cab	8' Box Snowplow prep. package recommended	5.0L V8	4600	HB-1	Y	1345 U	AY	350	AA	450	AD	500	AG	500	AJ	550	AM	550	AV	550	AP	550	AS	550	BB	650				
										AZ	350	AB	450	AE	500	AH	500	AK	550	AN	550	AW	550	AQ	550	AT	550	BC	650				
						BA	350	AC		450	AF	500	AI	500	AL	550	AO	550	AX	550	AR	550	AU	550	BD	650							
						AY	350	AA		450	AD	500	AG	500	AJ	600	AM	550	AV	600	AP	550	AS	650									
						AZ	350	AB		450	AE	500	AH	500	AK	600	AN	550	AW	600	AQ	550	AT	650									
					BA	350	AC	450		AF	500	AI	500	AL	600	AO	550	AX	600	AR	550	AU	650										
					AY	450																											
	AZ				450																												
	BA				450																												

FORD

FOUR WHEEL DRIVE Vehicle Options								Plow Options (O) and Ballast Required (B)																				
MODEL/ CHASSIS	YEAR	BODY STYLE	OTHER	ENGINE(S)	MIN FGAWR	HEAD LAMP	DRL ?	PLOW MODEL	LSX 7.2		S 7.5		SY 7.5		P 7.5		PY 7.5		P 8.0		PY 8.0		P 8.5		P 9.0		MVP 8.5	
									O	B	O	B	O	B	O	B	O	B	O	B	O	B	O	B	O	B	O	B
F-350 Super Duty Pick-up 4x4 (Vehicles with cab lights also require kit # 61185) (See note on Spring Code and tire pressure on pg. 33) (continued)	2000-2002 (continued)	SuperCab (continued)	8' Box Single rear wheels Snowplow prep. package recommended	5.4L V8	5200	HB5	Y	3215 U							AI	400	AM	450	AQ	400	AU	450	AY	450	BC	450	BG	550
							N		AJ	400	AN	450	AR	400	AV	450	AZ	450	BD	450	BH	550						
						Y	AK		400	AO	450	AS	400	AW	450	BA	450	BE	450	BI	550							
						N	AL		400	AP	450	AT	400	AX	450	BB	450	BF	450	BJ	550							
						Y	AI		400	AM	450	AQ	400	AU	450	AY	450	BC	450	BG	600							
					N	AJ	400		AN	450	AR	400	AV	450	AZ	450	BD	450	BH	600								
					Y	AK	400		AO	450	AS	400	AW	450	BA	450	BE	450	BI	600								
					N	AL	400		AP	450	AT	400	AX	450	BB	450	BF	450	BJ	600								
					Y	AI	450		AM	500	AQ	500	AU	500	AY	500	BC	500	BG	600								
					N	AJ	450		AN	500	AR	500	AV	500	AZ	500	BD	500	BH	600								
				Y	AK	450	AO		500	AS	500	AW	500	BA	500	BE	500	BI	600									
				N	AL	450	AP		500	AT	400	AX	450	BB	450	BF	450	BJ	600									
				Y	AI	450	AM		600	AQ	450	AU	650	AY	550	BC	700											
				N	AJ	450	AN		600	AR	450	AV	650	AZ	550	BD	700											
				Y	AK	450	AO		600	AS	450	AW	650	BA	550	BE	700											
				N	AL	450	AP		600	AT	450	AX	650	BB	550	BF	700											
				Y	AI	600	AM		700	AQ	650	AU	750	AY	650	BC	800											
				N	AJ	600	AN		700	AR	650	AV	750	AZ	650	BD	800											
				Y	AK	600	AO		700	AS	650	AW	750	BA	650	BE	800											
				N	AL	600	AP		700	AT	650	AX	750	BB	650	BF	800											
				Y	AY	300	BC		300	BG	400																	
				N	AZ	300	BD		300	BH	400																	
				Y	BA	300	BE		300	BI	400																	
				N	BB	300	BF		300	BJ	400																	
				Y	AY	300	BC		300	BG	750																	
				N	AZ	300	BD		300	BH	750																	
				Y	BA	300	BE		300	BI	750																	
				N	BB	300	BF		300	BJ	750																	
				Y	AY	300	BC		350	BG	400																	
				N	AZ	300	BD		350	BH	400																	
				Y	BA	300	BE		350	BI	400																	
				N	BB	300	BF		350	BJ	400																	
				Y	AY	300	BC		850																			
				N	AZ	700	BD		850																			
				Y	BA	700	BE		850																			
				N	BB	700	BF		850																			
				Y	AY	800	BC		950																			
				N	AZ	800	BD		950																			
				Y	BA	800	BE		950																			
				N	BB	800	BF		950																			
				Y	AI	400	AM		450	AQ	450	AU	450	AY	450	BC	450	BG	550									
				N	AJ	400	AN		450	AR	450	AV	450	AZ	450	BD	450	BH	550									
				Y	AK	400	AO		450	AS	450	AW	450	BA	450	BE	450	BI	550									
				N	AL	400	AP		450	AT	450	AX	450	BB	450	BF	450	BJ	550									
				Y	AI	700	AM		950	AQ	800	AU	1000	AY	950													
				N	AJ	700	AN		950	AR	800	AV	1000	AZ	950													
				Y	AK	700	AO		950	AS	800	AW	1000	BA	950													
				N	AL	700	AP		950	AT	800	AX	1000	BB	950													
				Y	AY	300	BC		350	BG	400																	
				N	AZ	300	BD		350	BH	400																	
				Y	BA	300	BE		350	BI	400																	
				N	BB	300	BF		350	BJ	400																	
				Y	AY	950																						
				N	AZ	950																						
				Y	BA	950																						
				N	BB	950																						
				Y	AI	350	AM		400	AQ	400	AU	400	AY	400	BC	400	BG	500									
				N	AJ	350	AN		400	AR	400	AV	400	AZ	400	BD	400	BH	500									
				Y	AK	350	AO		400	AS	400	AW	400	BA	400	BE	400	BI	500									
				N	AL	350	AP		400	AT	400	AX	400	BB	400	BF	400	BJ	500									
				Y	AI	350	AM		550	AQ	400	AU	600	AY	500	BC	650											
				N	AJ	350	AN		550	AR	400	AV	600	AZ	500	BD	650											
				Y	AK	350	AO		550	AS	400	AW	600	BA	500	BE	650											
				N	AL	350	AP		550	AT	400	AX	600	BB	500	BF	650											
				Y	AI	450	AM		450	AQ	450	AU	450	AY	450	BC	500	BG	550									
				N	AJ	450	AN		450	AR	450	AV	450	AZ	450	BD	500	BH	550									
				Y	AK	450	AO		450	AS	450	AW	450	BA	450	BE	500	BI	550									
				N	AL	450	AP		450	AT	450	AX	450	BB	450	BF	500	BJ	550									
				Y	AI	1000																						
				N	AJ	1000																						
				Y	AK	1000																						
				N	AL	1000																						
				Y	AY	250	BC		250	BG	500																	
				N	AZ	250	BD		250	BH	500																	
				Y	BA	250	BE		250	BI	500																	
				N	BB	250	BF		250	BJ	500																	

FORD																												
FOUR WHEEL DRIVE Vehicle Options								Plow Options (O) and Ballast Required (B)																				
MODEL/CHASSIS	YEAR	BODY STYLE	OTHER	ENGINE(S)	MIN FGAWR	HEAD LAMP	DRL ?	PLOW MODEL	LSX 7.2		S 7.5		SY 7.5		P 7.5		PY 7.5		P 8.0		PY 8.0		P 8.5		P 9.0		MVP 8.5	
									O	B	O	B	O	B	O	B	O	B	O	B	O	B	O	B	O	B	O	B
F-350 Super Duty Pick-up 4x4 (Vehicles with cab lights also require kit # 61185) (See note on Spring Code and tire pressure on pg. 33) (continued)	1999 (continued)	X-Cab (continued)	8' Box (158" WB) & Single rear wheels Snowplow prep. package recommended	5.4L V8	5200	HB5	Y	3215 U							AI	350	AM	400	AQ	350	AU	400	AY	350	BC	400	BG	450
							N		AJ	350	AN	400	AR	350	AV	400	AZ	350	BD	400	BH	450						
						Y	AK		350	AO	400	AS	350	AW	400	BA	350	BE	400	BI	450							
						N	AL		350	AP	400	AT	350	AX	400	BB	350	BF	400	BJ	450							
						Y	AI		350	AM	400	AQ	400	AU	400	AY	400	BC	400	BG	500							
					N	AJ	350		AN	400	AR	400	AV	400	AZ	400	BD	400	BH	500								
					Y	AK	350		AO	400	AS	400	AW	400	BA	400	BE	400	BI	500								
					N	AL	350		AP	400	AT	400	AX	400	BB	400	BF	400	BJ	500								
					Y	AI	400		AM	400	AQ	400	AU	450	AY	400	BC	450	BG	500								
					N	AJ	400		AN	400	AR	400	AV	450	AZ	400	BD	450	BH	500								
				Y	AK	400	AO		400	AS	400	AW	450	BA	400	BE	450	BI	500									
				N	AL	400	AP		400	AT	400	AX	400	BB	400	BF	400	BJ	500									
				Y	AI	400	AM		450	AQ	450	AU	450	AY	450	BC	450	BG	900									
				N	AJ	400	AN		450	AR	450	AV	450	AZ	450	BD	450	BH	900									
				Y	AK	400	AO		450	AS	450	AW	450	BA	450	BE	450	BI	900									
				N	AL	400	AP		450	AT	450	AX	450	BB	450	BF	450	BJ	900									
				Y	AI	550	AM		600	AQ	550	AU	600	AY	600	BC	600	BG	1000									
				N	AJ	550	AN		600	AR	550	AV	600	AZ	600	BD	600	BH	1000									
				Y	AK	550	AO		600	AS	550	AW	600	BA	600	BE	600	BI	1000									
				N	AL	550	AP		650	AT	550	AX	650	BB	600	BF	600	BJ	1000									
				Y	AI	250	BC		300	BG	350																	
				N	AY	250	BD		300	BH	350																	
				Y	AZ	250	BE		300	BI	350																	
				N	BA	250	BF		300	BJ	350																	
				Y	BB	250	BF		300	BJ	350																	
				N	AY	300	BC		300	BG	450																	
				Y	AZ	300	BD		300	BH	450																	
				N	BA	300	BE		300	BI	450																	
				Y	BB	300	BF		300	BJ	450																	
				N	AY	250	BC		250	BG	350																	
				Y	AZ	250	BD		250	BH	350																	
				N	BA	250	BE		250	BI	350																	
				Y	BB	250	BF		250	BJ	350																	
				N	AY	300	BC		350	BG	900																	
				Y	AZ	300	BD		350	BH	900																	
				N	BA	300	BE		350	BI	900																	
				Y	BB	300	BF		350	BJ	900																	
				N	AY	400	BC		450																			
				Y	AZ	400	BD		450																			
				N	BA	400	BE		450																			
				Y	BB	400	BF		450																			
				N	AI	400	AM		450	AQ	400	AU	450	AY	400	BC	450	BG	500									
				Y	AJ	400	AN		450	AR	400	AV	450	AZ	400	BD	450	BH	500									
				N	AK	400	AO		450	AS	400	AW	450	BA	400	BE	450	BI	500									
				Y	AL	400	AP		450	AT	400	AX	450	BB	400	BF	450	BJ	500									
				N	AI	400	AM		500	AQ	450	AU	600	AY	500	BC	650											
				Y	AJ	400	AN		500	AR	450	AV	600	AZ	500	BD	650											
				N	AK	400	AO		500	AS	450	AW	600	BA	500	BE	650											
				Y	AL	400	AP		500	AT	450	AX	600	BB	500	BF	650											
				N	AI	450	AM		450	AQ	450	AU	500	AY	450	BC	500	BG	550									
				Y	AJ	450	AN		450	AR	450	AV	500	AZ	450	BD	500	BH	550									
				N	AK	450	AO		450	AS	450	AW	500	BA	450	BE	500	BI	550									
				Y	AL	450	AP		450	AT	450	AX	500	BB	450	BF	500	BJ	550									
				N	AI	750	AM		1000	AQ	850	AY	950															
				Y	AJ	750	AN		1000	AR	850	AZ	950															
				N	AK	750	AO		1000	AS	850	BA	950															
				Y	AL	750	AP		1000	AT	850	BB	950															
				N	AI	900	AQ		1000																			
				Y	AJ	900	AR		1000																			
				N	AK	900	AS		1000																			
				Y	AL	900	AT		1000																			
				N	AY	300	BC		300	BG	400																	
				Y	AZ	300	BD		300	BH	400																	
				N	BA	300	BE		300	BI	400																	
				Y	BB	300	BF		300	BJ	400																	
				N	AY	750	BC		850																			
				Y	AZ	750	BD		850																			
				N	BA	750	BE		850																			
				Y	BB	750	BF		850																			
				N	AY	300	BC		300	BG	400																	
				Y	AZ	300	BD		300	BH	400																	
				N	BA	300	BE		300	BI	400																	
				Y	BB	300	BF		300	BJ	400																	

FORD																																						
FOUR WHEEL DRIVE Vehicle Options								Plow Options (O) and Ballast Required (B)																														
MODEL/ CHASSIS	YEAR	BODY STYLE	OTHER	ENGINE(S)	MIN FGAWR	HEAD LAMP	DRL ?	PLOW MODEL	LSX 7.2		S 7.5		SY 7.5		P 7.5		PY 7.5		P 8.0		PY 8.0		P 8.5		P 9.0		MVP 8.5											
									O	B	O	B	O	B	O	B	O	B	O	B	O	B	O	B	O	B	O	B	O	B	O	B	O	B				
F-350 Super Duty Chassis Cab 4x4 (Vehicles with cab lights also require kit # 61185) (See note on Spring Code and tire pressure on pg. 33)	1999-2002	All	Single rear wheels Min. 8,500 lb. GVWR Snowplow prep. package recommended	All	All	HB5	Y	3215 U							AI	?	AM	?	AQ	?	AU	?	AY	?	BC	?	BG	?										
							N																															
							Y															AK	?	AO	?	AS	?	AW	?	BA	?	BE	?	BI	?			
							N															AL	?	AP	?	AT	?	AX	?	BB	?	BF	?	BJ	?			
	1992-1997	All	Dual rear wheels Min. 8,500 lb. GVWR Snowplow prep. package recommended	All	All	HB5	Y																		AY	?	BC	?	BG	?								
							N																						AZ	?	BD	?	BH	?				
							Y																															
							N																															
F-350 Chassis Cab 4x4	1992-1997	All	Single rear wheels Min. 8,500 lb. GVWR	All	All	HB-5	Y	1295 U							AE	?	AG	?	AI	?	AO	?	AK	?	AM	?	AQ	?										
							N																															
							Y															AF	?	AH	?	AJ	?	AP	?	AL	?	AN	?	AR	?			
							N																															
	1980-1991	All	Single rear wheels Min. 8,500 lb. GVWR	All	All	HB-1	Y		1345 U								AG	?	AJ	?	AM	?	AV	?	AP	?	AS	?	BB	?								
							N																															
							Y																AH	?	AK	?	AN	?	AW	?	AQ	?	AT	?	BC	?		
							N																AI	?	AL	?	AO	?	AX	?	AR	?	AU	?	BD	?		
		Dual rear wheels Min. 8,500 lb. GVWR	All	All	HB-1	Y																																
						N																																
						Y																																
						N																																

FORD 450 & 550 SUPERDUTY

FOUR WHEEL DRIVE Vehicle Options										Plow Options (O) and Ballast Required (B)											
MODEL/ CHASSIS	YEAR	BODY STYLE	OTHER	ENGINE(S)	MIN FGAWR	HEAD LAMP	DRL ?	PLOW MODEL	P 8.5		P 9.0		MVP 8.5		PLOW MODEL	MVP 9.5		HW 9.0		HW 10.0	
									O	B	O	B	O	B		O	B	O	B	O	B
F-450 Super Duty Chassis Cab 4x4 (Vehicles with cab lights also require kit # 61185)	1999-2002	All	Dual rear wheels Min. 8,500 lb. GVWR Snowplow prep. package recommended	All	All	HB5	Y	3215 U	AY	?	BC	?	BG	?	3225 U	AI	?	AA	?	AE	?
							N		AZ	?	BD	?	BH	?		AJ	?	AB	?	AF	?
							Y		BA	?	BE	?	BI	?		AK	?	AC	?	AG	?
							N		BB	?	BF	?	BJ	?		AL	?	AD	?	AH	?
F-550 Super Duty Chassis Cab 4x4 (Vehicles with cab lights also require kit # 61185)	1999-2002	All	Dual rear wheels Min. 8,500 lb. GVWR Snowplow prep. package recommended	All	All	HB5	Y	3215 U	AY	?	BC	?	BG	?	3225 U	AI	?	AA	?	AE	?
							N		AZ	?	BD	?	BH	?		AJ	?	AB	?	AF	?
							Y		BA	?	BE	?	BI	?		AK	?	AC	?	AG	?
							N		BB	?	BF	?	BJ	?		AL	?	AD	?	AH	?

FORD 450 & 550 SUPERDUTY TWO WHEEL DRIVE

TWO WHEEL DRIVE Vehicle Options										Plow Options (O) and Ballast Required (B)											
MODEL/ CHASSIS	YEAR	BODY STYLE	OTHER	ENGINE(S)	MIN FGAWR	HEAD LAMP	DRL ?	PLOW MODEL	P 8.5		P 9.0		MVP 8.5		PLOW MODEL	MVP 9.5		HW 9.0		HW 10.0	
									O	B	O	B	O	B		O	B	O	B	O	B
F450 Super Duty Chassis Cab 2WD (Vehicles with cab lights also require kit # 61185)	1999-2002	All	Dual rear wheels Min. 10,000 lb. GVWR Snowplow prep. package recommended	All	All	HB5	Y	3215 U	AY	?	BC	?	BG	?	3225 U	AI	?	AA	?	AE	?
							N		AZ	?	BD	?	BH	?		AJ	?	AB	?	AF	?
							Y		BA	?	BE	?	BI	?		AK	?	AC	?	AG	?
							N		BB	?	BF	?	BJ	?		AL	?	AD	?	AH	?
F550 Super Duty Chassis Cab 2WD (Vehicles with cab lights also require kit # 61185)	1999-2002	All	Dual rear wheels Min. 10,000 lb. GVWR Snowplow prep. package recommended	All	All	HB5	Y	3215 U	AY	?	BC	?	BG	?	3225 U	AI	?	AA	?	AE	?
							N		AZ	?	BD	?	BH	?		AJ	?	AB	?	AF	?
							Y		BA	?	BE	?	BI	?		AK	?	AC	?	AG	?
							N		BB	?	BF	?	BJ	?		AL	?	AD	?	AH	?

FORD

COMPLETE PLOW			COMPONENT NUMBERS						
MODEL	OPTION	BLADE SIZE	MOUNT ASSEMBLY	BLADE ASSEMBLY	ATTACHMENT ASSEMBLY	HYDRAULIC ASSEMBLY	LAMP KIT	HARNESS KIT	DRL KIT
1225 UNIMOUNT[®] PLOW	AA	S 7.5	62225	60018	61720	56365	61540-1	63420	61584
	AB	S 7.5	62225	60018	61720	56365	61540-1	63420	----
	AC	SY 7.5	62225	62110	62120	56365	61540-1	63420	61584
	AD	SY 7.5	62225	62110	62120	56365	61540-1	63420	----
	AE	P 7.5	62225	60381	63568	56365	61540-1	63420	61584
	AF	P 7.5	62225	60381	63568	56365	61540-1	63420	----
	AG	PY 7.5	62225	62400	63568	56365	61540-1	63420	61584
	AH	PY 7.5	62225	62400	63568	56365	61540-1	63420	----
	AI	P 8.0	62225	60390	63568	56365	61540-1	63420	61584
	AJ	P 8.0	62225	60390	63568	56365	61540-1	63420	----
	AK	P 8.5	62225	60308	63568	56365	61540-1	63420	61584
	AL	P 8.5	62225	60308	63568	56365	61540-1	63420	----
	AM	P 9.0	62225	60655	63568	56365	61540-1	63420	61584
	AN	P 9.0	62225	60655	63568	56365	61540-1	63420	----
	AO	PY 8.0	62225	62450	63568	56365	61540-1	63420	61584
	AP	PY 8.0	62225	62450	63568	56365	61540-1	63420	----
	AQ	MVP 8.5	62225	62600	62650	66587	66640-2	63421	61584
AR	MVP 8.5	62225	62600	62650	66587	66640-2	63421	----	
AS	LSX 7.2	62225	63472	63470	56545	61540-1	63420	61584	
AT	LSX 7.2	62225	63472	63470	56545	61540-1	63420	----	
1265 UNIMOUNT[®] PLOW	AA	S 7.5	61800	60018	61720	56365	61540-1	61590	61584
	AB	S 7.5	61800	60018	61720	56365	61540-1	61590	----
	AC	SY 7.5	61800	62110	62120	56365	61540-1	61590	61584
	AD	SY 7.5	61800	62110	62120	56365	61540-1	61590	----
	AE	P 7.5	61800	60381	63568	56365	61540-1	61590	61584
	AF	P 7.5	61800	60381	63568	56365	61540-1	61590	----
	AG	PY 7.5	61800	62400	63568	56365	61540-1	61590	61584
	AH	PY 7.5	61800	62400	63568	56365	61540-1	61590	----
	AI	P 8.0	61800	60390	63568	56365	61540-1	61590	61584
	AJ	P 8.0	61800	60390	63568	56365	61540-1	61590	----
	AK	PY 8.0	61800	62450	63568	56365	61540-1	61590	61584
	AL	PY 8.0	61800	62450	63568	56365	61540-1	61590	----
	AM	LSX 7.2	61800	63472	63470	56545	61540-1	61590	61584
	AN	LSX 7.2	61800	63472	63470	56545	61540-1	61590	----

FORD

COMPLETE PLOW			COMPONENT NUMBERS						
MODEL	OPTION	BLADE SIZE	MOUNT ASSEMBLY	BLADE ASSEMBLY	ATTACHMENT ASSEMBLY	HYDRAULIC ASSEMBLY	LAMP KIT	HARNESS KIT	DRL KIT
1275 UNIMOUNT[®] PLOW	AA	S 7.5	61815	60018	61720	56365	61540-1	61590	61584
	AB	S 7.5	61815	60018	61720	56365	61540-1	61590	----
	AC	SY 7.5	61815	62110	62120	56365	61540-1	61590	61584
	AD	SY 7.5	61815	62110	62120	56365	61540-1	61590	----
	AE	P 7.5	61815	60381	63568	56365	61540-1	61590	61584
	AF	P 7.5	61815	60381	63568	56365	61540-1	61590	----
	AG	PY 7.5	61815	62400	63568	56365	61540-1	61590	61584
	AH	PY 7.5	61815	62400	63568	56365	61540-1	61590	----
	AI	P 8.0	61815	60390	63568	56365	61540-1	61590	61584
	AJ	P 8.0	61815	60390	63568	56365	61540-1	61590	----
	AK	PY 8.0	61815	62450	63568	56365	61540-1	61590	61584
	AL	PY 8.0	61815	62450	63568	56365	61540-1	61590	----
	AM	LSX 7.2	61815	63472	63470	56545	61540-1	61590	61584
	AN	LSX 7.2	61815	63472	63470	56545	61540-1	61590	----
1295 UNIMOUNT[®] PLOW	AA	S 7.5	61820	60018	61720	56365	61540-1	61590	61584
	AB	S 7.5	61820	60018	61720	56365	61540-1	61590	----
	AC	SY 7.5	61820	62110	62120	56365	61540-1	61590	61584
	AD	SY 7.5	61820	62110	62120	56365	61540-1	61590	----
	AE	P 7.5	61820	60381	63568	56365	61540-1	61590	61584
	AF	P 7.5	61820	60381	63568	56365	61540-1	61590	----
	AG	PY 7.5	61820	62400	63568	56365	61540-1	61590	61584
	AH	PY 7.5	61820	62400	63568	56365	61540-1	61590	----
	AI	P 8.0	61820	60390	63568	56365	61540-1	61590	61584
	AJ	P 8.0	61820	60390	63568	56365	61540-1	61590	----
	AK	P 8.5	61820	60308	63568	56365	61540-1	61590	61584
	AL	P 8.5	61820	60308	63568	56365	61540-1	61590	----
	AM	P 9.0	61820	60655	63568	56365	61540-1	61590	61584
	AN	P 9.0	61820	60655	63568	56365	61540-1	61590	----
	AO	PY 8.0	61820	62450	63568	56365	61540-1	61590	61584
	AP	PY 8.0	61820	62450	63568	56365	61540-1	61590	----
	AQ	MVP 8.5	61820	62600	62650	66587	66640-2	61591	61584
	AR	MVP 8.5	61820	62600	62650	66587	66640-2	61591	----
AS	LSX 7.2	61820	63472	63470	56545	61540-1	61590	61584	
AT	LSX 7.2	61820	63472	63470	56545	61540-1	61590	----	

FORD

COMPLETE PLOW			COMPONENT NUMBERS						
MODEL	OPTION	BLADE SIZE	MOUNT ASSEMBLY	BLADE ASSEMBLY	ATTACHMENT ASSEMBLY	HYDRAULIC ASSEMBLY	LAMP KIT	HARNESS KIT	DRL KIT
1345 UNIMOUNT® PLOW	AA	S 7.5	61400	60018	61720	56365	61540-1	61570	61584
	AB	S 7.5	61400	60018	61720	56365	61540-1	61570	----
	AC	S 7.5	61400	60018	61720	56365	61540-1	61545	----
	AD	SY 7.5	61400	62110	62120	56365	61540-1	61570	61584
	AE	SY 7.5	61400	62110	62120	56365	61540-1	61570	----
	AF	SY 7.5	61400	62110	62120	56365	61540-1	61545	----
	AG	P 7.5	61400	60381	63568	56365	61540-1	61570	61584
	AH	P 7.5	61400	60381	63568	56365	61540-1	61570	----
	AI	P 7.5	61400	60381	63568	56365	61540-1	61545	----
	AJ	PY 7.5	61400	62400	63568	56365	61540-1	61570	61584
	AK	PY 7.5	61400	62400	63568	56365	61540-1	61570	----
	AL	PY 7.5	61400	62400	63568	56365	61540-1	61545	----
	AM	P 8.0	61400	60390	63568	56365	61540-1	61570	61584
	AN	P 8.0	61400	60390	63568	56365	61540-1	61570	----
	AO	P 8.0	61400	60390	63568	56365	61540-1	61545	----
	AP	P 8.5	61400	60308	63568	56365	61540-1	61570	61584
	AQ	P 8.5	61400	60308	63568	56365	61540-1	61570	----
	AR	P 8.5	61400	60308	63568	56365	61540-1	61545	----
	AS	P 9.0	61400	60655	63568	56365	61540-1	61570	61584
	AT	P 9.0	61400	60655	63568	56365	61540-1	61570	----
	AU	P 9.0	61400	60655	63568	56365	61540-1	61545	----
	AV	PY 8.0	61400	62450	63568	56365	61540-1	61570	61584
	AW	PY 8.0	61400	62450	63568	56365	61540-1	61570	----
	AX	PY 8.0	61400	62450	63568	56365	61540-1	61545	----
	AY	LSX 7.2	61400	63472	63470	56545	61540-1	61570	61584
	AZ	LSX 7.2	61400	63472	63470	56545	61540-1	61570	----
BA	LSX 7.2	61400	63472	63470	56545	61540-1	61545	----	
BB	MVP 8.5	61400	62600	62650	66587	66640-2	61571	61584	
BC	MVP 8.5	61400	62600	62650	66587	66640-2	61571	----	
BD	MVP 8.5	61400	62600	62650	66587	66640-2	61546	----	

FORD

COMPLETE PLOW			COMPONENT NUMBERS						
MODEL	OPTION	BLADE SIZE	MOUNT ASSEMBLY	BLADE ASSEMBLY	ATTACHMENT ASSEMBLY	HYDRAULIC ASSEMBLY	LAMP KIT	HARNESS KIT	DRL KIT
3215 UNIMOUNT® PLOW	AA	S 7.5	62660-1	60018	61720	56365	61540-1	63420	61584
	AB	S 7.5	62660-1	60018	61720	56365	61540-1	63420	----
	AC	S 7.5	62660-1	60018	61720	56365	61540-1	63422	61584
	AD	S 7.5	62660-1	60018	61720	56365	61540-1	63422	----
	AE	SY 7.5	62660-1	62110	62120	56365	61540-1	63420	61584
	AF	SY 7.5	62660-1	62110	62120	56365	61540-1	63420	----
	AG	SY 7.5	62660-1	62110	62120	56365	61540-1	63422	61584
	AH	SY 7.5	62660-1	62110	62120	56365	61540-1	63422	----
	AI	P 7.5	62660-1	60381	63568	56365	61540-1	63420	61584
	AJ	P 7.5	62660-1	60381	63568	56365	61540-1	63420	----
	AK	P 7.5	62660-1	60381	63568	56365	61540-1	63422	61584
	AL	P 7.5	62660-1	60381	63568	56365	61540-1	63422	----
	AM	PY 7.5	62660-1	62400	63568	56365	61540-1	63420	61584
	AN	PY 7.5	62660-1	62400	63568	56365	61540-1	63420	----
	AO	PY 7.5	62660-1	62400	63568	56365	61540-1	63422	61584
	AP	PY 7.5	62660-1	62400	63568	56365	61540-1	63422	----
	AQ	P 8.0	62660-1	60390	63568	56365	61540-1	63420	61584
	AR	P 8.0	62660-1	60390	63568	56365	61540-1	63420	----
	AS	P 8.0	62660-1	60390	63568	56365	61540-1	63422	61584
	AT	P 8.0	62660-1	60390	63568	56365	61540-1	63422	----
	AU	PY 8.0	62660-1	62450	63568	56365	61540-1	63420	61584
	AV	PY 8.0	62660-1	62450	63568	56365	61540-1	63420	----
	AW	PY 8.0	62660-1	62450	63568	56365	61540-1	63422	61584
	AX	PY 8.0	62660-1	62450	63568	56365	61540-1	63422	----
	AY	P 8.5	62660-1	60308	63568	56365	61540-1	63420	61584
	AZ	P 8.5	62660-1	60308	63568	56365	61540-1	63420	----
	BA	P 8.5	62660-1	60308	63568	56365	61540-1	63422	61584
	BB	P 8.5	62660-1	60308	63568	56365	61540-1	63422	----
	BC	P 9.0	62660-1	60655	63568	56365	61540-1	63420	61584
	BD	P 9.0	62660-1	60655	63568	56365	61540-1	63420	----
BE	P 9.0	62660-1	60655	63568	56365	61540-1	63422	61584	
BF	P 9.0	62660-1	60655	63568	56365	61540-1	63422	----	
BG	MVP 8.5	62660-1	62600	62650	66587	66640-2	63421	61584	
BH	MVP 8.5	62660-1	62600	62650	66587	66640-2	63421	----	
BI	MVP 8.5	62660-1	62600	62650	66587	66640-2	63423	61584	
BJ	MVP 8.5	62660-1	62600	62650	66587	66640-2	63423	----	
BK	LSX 7.2	62660-1	63472	63470	56545	61540-1	63420	61584	
BL	LSX 7.2	62660-1	63472	63470	56545	61540-1	63420	----	
BM	LSX 7.2	62660-1	63472	63470	56545	61540-1	63422	61584	
BN	LSX 7.2	62660-1	63472	63470	56545	61540-1	63422	----	

FORD

COMPLETE PLOW			COMPONENT NUMBERS						
MODEL	OPTION	BLADE SIZE	MOUNT ASSEMBLY	BLADE ASSEMBLY	ATTACHMENT ASSEMBLY	HYDRAULIC ASSEMBLY	LAMP KIT	HARNESS KIT	DRL KIT
3225 UNIMOUNT[®] PLOW	AA	HW 9.0	63350-1	62301	62300	56400	61540-1	63420	61584
	AB	HW 9.0	63350-1	62301	62300	56400	61540-1	63420	-----
	AC	HW 9.0	63350-1	62301	62300	56400	61540-1	63422	61584
	AD	HW 9.0	63350-1	62301	62300	56400	61540-1	63422	-----
	AE	HW 10.0	63350-1	62302	62300	56400	61540-1	63420	61584
	AF	HW 10.0	63350-1	62302	62300	56400	61540-1	63420	-----
	AG	HW 10.0	63350-1	62302	62300	56400	61540-1	63422	61584
	AH	HW 10.0	63350-1	62302	62300	56400	61540-1	63422	-----
	AI	MVP 9.5	63350-1	63665	63660	66587	66640-2	63421	61584
	AJ	MVP 9.5	63350-1	63665	63660	66587	66640-2	63421	-----
	AK	MVP 9.5	63350-1	63665	63660	66587	66640-2	63423	61584
	AL	MVP 9.5	63350-1	63665	63660	66587	66640-2	63423	-----

JEEP

FOUR WHEEL DRIVE Vehicle Options

Plow Options (O) and Ballast Required (B)

MODEL/ CHASSIS	YEAR	BODY STYLE	OTHER	ENGINE(S)	MIN FGAWR	HEAD LAMP	DRL ?	PLOW MODEL	SU 6.5		S 6.5		S 7.0		LSX 7.2	
									O	B	O	B	O	B	O	B
Cherokee 4x4	1998-2001			All	All	2B	Y	255	AA	300						
							N	U	AB	300						
Cherokee, Cherokee Wagon, Wagoneer/Pioneer 4x4	1984-1997			All	All	2B	Y	255	AA	300						
							N	U	AB	300						
									AC	300						
Wrangler 4x4	1997-2002		Requires MOPAR air shock kit #82202562	All	2200	2D	Y	3715	AA	200	AC	200	AE	200	AG	200
							N	U	AB	200	AD	200	AF	200	AH	200
Comanche 4x4	1986-1993		Mount attaches over & in front of bumper	All	All	2B	Y	235	AA	300						
							N	U	AB	300						
			Front Air Springs Req.	All	All	2B	Y	255	AA	300						
							N	U	AB	300						

TOYOTA

FOUR WHEEL DRIVE Vehicle Options

Plow Options (O) and Ballast Required (B)

MODEL/ CHASSIS	YEAR	BODY STYLE	OTHER	ENGINE(S)	MIN FGAWR	HEAD LAMP	DRL ?	PLOW MODEL	SU 6.5		S 6.5		S 7.0		LSX 7.2	
									O	B	O	B	O	B	O	B
Tacoma 4X4 Pickup	1995-2002	Reg Cab		All	All	2B	Y	2365	AA	200	AC	700	AE	750	AG	750
							N	U	AB	200	AD	700	AF	750	AH	750
4Runner 4X4	1984-1995	Reg Cab		All	All	HB-1	Y	2355			AE	350	AG	350		
							N	U			AF	350	AH	350		
									2B	Y			AA	350	AC	350
Pickup 4X4	1984-1995	Reg Cab		All	All	2B	Y	2355			AA	400	AC	400		
							N	U			AB	400	AD	400		

JEEP									
COMPLETE PLOW			COMPONENT NUMBERS						
MODEL	OPTION	BLADE SIZE	MOUNT ASSEMBLY	BLADE ASSEMBLY	ATTACHMENT ASSEMBLY	HYDRAULIC ASSEMBLY	LAMP KIT	HARNESS KIT	DRL KIT
235 UNIMOUNT® PLOW	AA	SU 6.5	62050	61300	61930	56355	61540-1	61530	61584
	AB	SU 6.5	62050	61300	61930	56355	61540-1	61530	----
255 UNIMOUNT® PLOW	AA	SU 6.5	61890	61300	61930	56355	61540-1	61530	61584
	AB	SU 6.5	61890	61300	61930	56355	61540-1	61530	----
	AC	SU 6.5	61890	61300	61930	56355	61540-1	61580	----
3715 UNIMOUNT® PLOW	AA	SU 6.5	63250	61300	61930	56355	61540-1	61530	61584
	AB	SU 6.5	63250	61300	61930	56355	61540-1	61530	----
	AC	S 6.5	63250	60120	61720	56365	61540-1	61530	61584
	AD	S 6.5	63250	60120	61720	56365	61540-1	61530	----
	AE	S 7.0	63250	60125	61720	56365	61540-1	61530	61584
	AF	S 7.0	63250	60125	61720	56365	61540-1	61530	----
	AG	LSX 7.2	63250	63472	63470	56545	61540-1	61530	61584
	AH	LSX 7.2	63250	63472	63470	56545	61540-1	61530	----

TOYOTA									
COMPLETE PLOW			COMPONENT NUMBERS						
MODEL	OPTION	BLADE SIZE	MOUNT ASSEMBLY	BLADE ASSEMBLY	ATTACHMENT ASSEMBLY	HYDRAULIC ASSEMBLY	LAMP KIT	HARNESS KIT	DRL KIT
2355 UNIMOUNT® PLOW	AA	S 6.5	61870	60120	61720	56365	61550-1	61595	61584
	AB	S 6.5	61870	60120	61720	56365	61550-1	61555	----
	AC	S 7.0	61870	60125	61720	56365	61550-1	61595	61584
	AD	S 7.0	61870	60125	61720	56365	61550-1	61555	----
	AE	S 6.5	61870	60120	61720	56365	61550-1	61505	61584
	AF	S 6.5	61870	60120	61720	56365	61550-1	61505	----
	AG	S 7.0	61870	60125	61720	56365	61550-1	61505	61584
	AH	S 7.0	61870	60125	61720	56365	61550-1	61505	----
2365 UNIMOUNT® PLOW	AA	SU 6.5	62370	61300	61930	56355	61550-1	61555	61584
	AB	SU 6.5	62370	61300	61930	56355	61550-1	61555	----
	AC	S 6.5	62370	60120	61720	56365	61550-1	61555	61584
	AD	S 6.5	62370	60120	61720	56365	61550-1	61555	----
	AE	S 7.0	62370	60125	61720	56365	61550-1	61555	61584
	AF	S 7.0	62370	60125	61720	56365	61550-1	61555	----
	AG	LSX 7.2	62370	63472	63470	56545	61550-1	61555	61584
	AH	LSX 7.2	62370	63472	63470	56545	61550-1	61555	----

UNIVERSAL																												
FOUR WHEEL DRIVE Vehicle Options								Plow Options (O) and Ballast Required (B)																				
MODEL/ CHASSIS	YEAR	BODY STYLE	OTHER	ENGINE(S)	MIN FGAWR	HEAD LAMP	DRL ?	PLOW MODEL	S 7.5		SY 7.5		P 7.5		PY 7.5		P 8.0		PY 8.0		P 8.5		P 9.0		MVP 8.5			
									O	B	O	B	O	B	O	B	O	B	O	B	O	B	O	B	O	B		
3/4 & 1 Ton 4x4	All	All	Min. 8,500 lb. GVWR Min. of 17.5" from bottom of vehicle frame horn to road.	All	3800	2B/2D	Y	2915 U	AO	?	AQ	?	AS	?	AU	?	AW	?	BJ	?	AY	?	BA	?	BO	?		
						N	AA		?	AC	?	AE	?	AG	?	AI	?	BK	?	AK	?	AM	?	BP	?			
						Y	AP		?	AR	?	AT	?	AV	?	AX	?	BL	?	AZ	?	BB	?	BQ	?			
						N	AB		?	AD	?	AF	?	AH	?	AJ	?	BM	?	AL	?	AN	?	BR	?			
		OTHER	Y	BC	?	BD	?		BE	?	BF	?	BG	?	BN	?	BH	?	BI	?	BS	?						
		N	BC	?	BD	?	BE		?	BF	?	BG	?	BN	?	BH	?	BI	?	BS	?							
		N																										
		N																										
		Dual rear wheels Min. 8,500 lb. GVWR Min. of 17.5" from bottom of vehicle frame horn to road.		All	3800	2B/2D	Y																					
N																												
Y																												
N																												
						1A/2A	Y																					
							N																					
						OTHER	Y																					
							N																					

UNIVERSAL TWO WHEEL DRIVE																												
TWO WHEEL DRIVE Vehicle Options								Plow Options (O) and Ballast Required (B)																				
MODEL/ CHASSIS	YEAR	BODY STYLE	OTHER	ENGINE(S)	MIN FGAWR	HEAD LAMP	DRL ?	PLOW MODEL	S 7.5		SY 7.5		P 7.5		PY 7.5		P 8.0		PY 8.0		P 8.5		P 9.0		MVP 8.5			
									O	B	O	B	O	B	O	B	O	B	O	B	O	B	O	B	O	B		
3/4 & 1 Ton 2WD	All	All	Min. 10,000 lb. GVWR Min. of 17.5" from bottom of vehicle frame horn to road.	All	3800	2B/2D	Y	2915 U	AO	?	AQ	?	AS	?	AU	?	AW	?	BJ	?	AY	?	BA	?	BO	?		
						N	AA		?	AC	?	AE	?	AG	?	AI	?	BK	?	AK	?	AM	?	BP	?			
						Y	AP		?	AR	?	AT	?	AV	?	AX	?	BL	?	AZ	?	BB	?	BQ	?			
						N	AB		?	AD	?	AF	?	AH	?	AJ	?	BM	?	AL	?	AN	?	BR	?			
		OTHER	Y	BC	?	BD	?		BE	?	BF	?	BG	?	BN	?	BH	?	BI	?	BS	?						
		N	BC	?	BD	?	BE		?	BF	?	BG	?	BN	?	BH	?	BI	?	BS	?							
		N																										
		N																										
		Dual rear wheels Min. 10,000 lb. GVWR Min. of 17.5" from bottom of vehicle frame horn to road.		All	3800	2B/2D	Y																					
N																												
Y																												
N																												
						1A/2A	Y																					
							N																					
						OTHER	Y																					
							N																					

UNIVERSAL - HEAVYWEIGHT															
FOUR WHEEL DRIVE Vehicle Options								Plow Options (O) and Ballast Required (B)							
MODEL/ CHASSIS	YEAR	BODY STYLE	OTHER	ENGINE(S)	MIN FGAWR	HEAD LAMP	DRL ?	PLOW MODEL	MVP 9.5 **		HW 9.0		HW 10.0		
									O	B	O	B	O	B	
Universal Exception - Not for use on GM 3500HD & Ford F450/F550	All	All	14,000 - 27,500 GVWR** Min. of 22.5" from bottom of vehicle frame horn to road.	All	5000	2B/2D	Y	2955 U	AG	?	AA	?	AB	?	
						N	AH		?	AC	?	AD	?		
						Y	AI		?	AE	?	AF	?		
						N	AI		?	AE	?	AF	?		

For all Universals, weigh completed vehicle to determine reserve axle capacities and ballast.
 ** - MVP 9.5 mount application limited to 10,000 - 17,000 GVWR.

NOTE: The Universal - Heavyweight Mount Kit is recommended for vehicles with a minimum of 5,000 pounds FGAWR. Vehicles shall be rated between 14,000 and 27,500 GVWR for 9' HW and 10' HW snowplow installations. Snowplow and ballast or second unit bodies must comply with vehicle manufacturer's stated maximum gross vehicle weight(GVWR) and axle weight(GAWR) ratings. Vehicles must measure a minimum of 22.5" from road to bottom of front frame horn for proper installation. Ballast Inquiry Sheet, if completed in full, can be faxed to (414)354 -6664 for assistance in snowplow and ballast recommendations. Weights for all snowplow products can be found in the current Selection List. Snowplow headlamp kit must conform to vehicle lamp type.

UNIVERSAL

COMPLETE PLOW			COMPONENT NUMBERS						
MODEL	OPTION	BLADE SIZE	MOUNT ASSEMBLY	BLADE ASSEMBLY	ATTACHMENT ASSEMBLY	HYDRAULIC ASSEMBLY	LAMP KIT	HARNESS KIT	DRL KIT
2915 UNIMOUNT® PLOW	AA	S 7.5	62100	60018	61720	56365			
	AB	S 7.5	62100	60018	61720	56365			
	AC	SY 7.5	62100	62110	62120	56365			
	AD	SY 7.5	62100	62110	62120	56365			
	AE	P 7.5	62100	60381	63568	56365			
	AF	P 7.5	62100	60381	63568	56365			
	AG	PY 7.5	62100	62400	63568	56365			
	AH	PY 7.5	62100	62400	63568	56365			
	AI	P 8.0	62100	60390	63568	56365			
	AJ	P 8.0	62100	60390	63568	56365			
	AK	P 8.5	62100	60308	63568	56365			
	AL	P 8.5	62100	60308	63568	56365			
	AM	P 9.0	62100	60655	63568	56365			
	AN	P 9.0	62100	60655	63568	56365			
	AO	S 7.5	62100	60018	61720	56365			
	AP	S 7.5	62100	60018	61720	56365			
	AQ	SY 7.5	62100	62110	62120	56365			
	AR	SY 7.5	62100	62110	62120	56365			
	AS	P 7.5	62100	60381	63568	56365			
	AT	P 7.5	62100	60381	63568	56365			
	AU	PY 7.5	62100	62400	63568	56365			
	AV	PY 7.5	62100	62400	63568	56365			
	AW	P 8.0	62100	60390	63568	56365			
	AX	P 8.0	62100	60390	63568	56365			
	AY	P 8.5	62100	60308	63568	56365			
	AZ	P 8.5	62100	60308	63568	56365			
	BA	P 9.0	62100	60655	63568	56365			
	BB	P 9.0	62100	60655	63568	56365			
	BC	S 7.5	62100	60018	61720	56365			
	BD	SY 7.5	62100	62110	62120	56365			
BE	P 7.5	62100	60381	63568	56365				
BF	PY 7.5	62100	62400	63568	56365				
BG	P 8.0	62100	60390	63568	56365				
BH	P 8.5	62100	60308	63568	56365				
BI	P 9.0	62100	60655	63568	56365				

Determined by headlamp type & circuit.
Contact Technical Service for options.

UNIVERSAL

<i>COMPLETE PLOW</i>			<i>COMPONENT NUMBERS</i>						
MODEL	OPTION	BLADE SIZE	MOUNT ASSEMBLY	BLADE ASSEMBLY	ATTACHMENT ASSEMBLY	HYDRAULIC ASSEMBLY	LAMP KIT	HARNESS KIT	DRL KIT
2915 (continued) UNIMOUNT® PLOW	BJ	PY 8.0	62100	62450	63568	56365	Determined by headlamp type & circuit. Contact Technical Service for options.		
	BK	PY 8.0	62100	62450	63568	56365			
	BL	PY 8.0	62100	62450	63568	56365			
	BM	PY 8.0	62100	62450	63568	56365			
	BN	PY 8.0	62100	62450	63568	56365			
	BO	MVP 8.5	62100	62600	62650	66587			
	BP	MVP 8.5	62100	62600	62650	66587			
	BQ	MVP 8.5	62100	62600	62650	66587			
	BR	MVP 8.5	62100	62600	62650	66587			
	BS	MVP 8.5	62100	62600	62650	66587			
2955 UNIMOUNT® PLOW	AA	HW 9.0	62275	62301	62300	56400			
	AB	HW 10.0	62275	62302	62300	56400			
	AC	HW 9.0	62275	62301	62300	56400			
	AD	HW 10.0	62275	62302	62300	56400			
	AE	HW 9.0	62275	62301	62300	56400			
	AF	HW 10.0	62275	62302	62300	56400			
	AG	MVP 9.5 **	62275	63665	63660	66587			
	AH	MVP 9.5 **	62275	63665	63660	66587			
	AI	MVP 9.5 **	62275	63665	63660	66587			

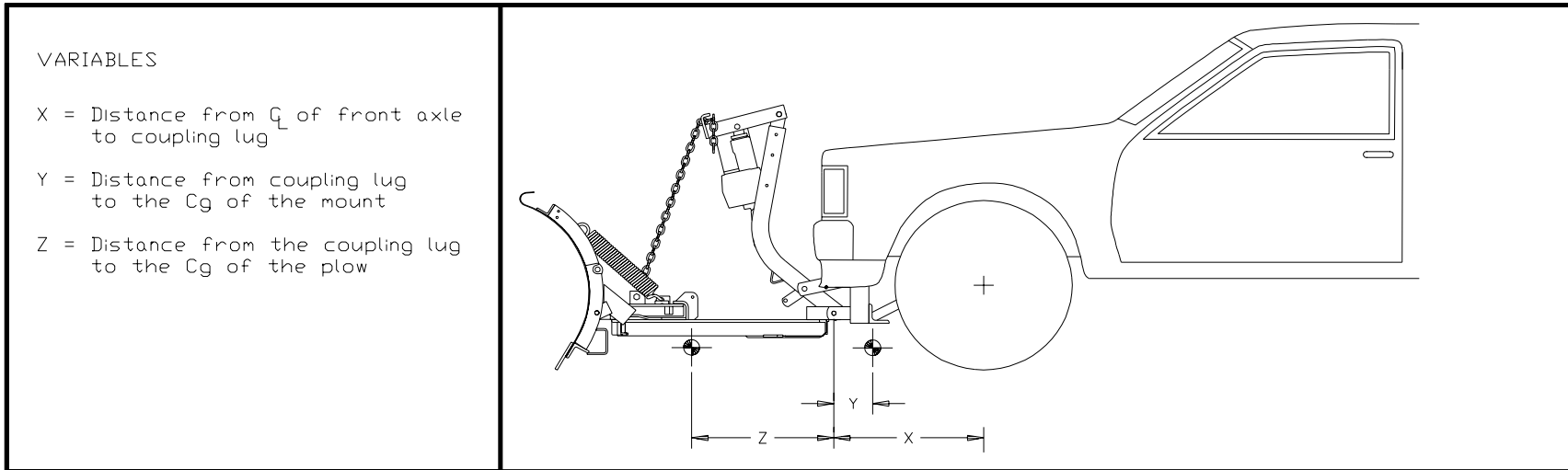
WEIGHT AND DIMENSIONAL CHART

PLOWS		ACCESSORIES EFFECTIVE ADDED WEIGHT (lbs.)				VARIABLES (in.)
SIZE	WEIGHT (lbs.)	POLY DEFLECTOR	RUBBER DEFLECTOR	CUTTING EDGE 1/2"	DOLLY WHEELS	Z (in.)
6-1/2' SU	352	----	----	----	----	20.1
6-1/2' S	490	17.1	26.4	----	24.8	25.6
7' S	500	18.2	28.1	----	24.6	25.8
7'-2" LSX	413	19.1	29.6	25.7	24.3	22.6
7-1/2' S	515	19.1	29.6	25.7	24.3	26.1
7-1/2' SY	545	----	28.4	24.7	23.4	27.2
7-1/2' P	593	19.2	29.7	25.8	24.5	25.6
8' P	610	20.1	33.8	27.4	24.1	26.1
8-1/2' P	626	21.1	35.5	28.8	23.9	26.3
7-1/2' PY	630	----	28.5	24.8	23.5	26.8
8' PY	638	----	33.2	26.9	23.7	26.6
9' P	645	22.1	37.1	30.2	23.7	26.6
MVP® 8.5	730	----	----	----	23.9	28
MVP® 9.5	955	----	----	----	24.3	32
9' HW	1048	----	37.8	----	24.8	33
10' HW	1106	----	45.8	----	24.8	33.6

#	MOUNT WEIGHT	X	Y	VEHICLE USE	YEAR
235	75	26.8	7	Jeep Wrangler 4x4	1986 1/2-1996
3715	68	26.8	7	Jeep Wrangler 4x4	1997 - Later
255	65	23.5	7	Jeep Cherokee Wagon/Wagoneer	1984 - 2000
915	90	28.4	7	Dodge Dakota	1987 - 1996
925	55	29.0	7	Dodge Dakota	1997 - 1999
3915	55	29.0	7	Dodge Dakota, Durango 4x4	2000 - Later
985	150	34.0	7	Dodge Ram, W1500	1994 - 2001
985	150	34.0	7	Dodge Ram, W2500-W3500	1994 - 2002
995	110	29.8	7	Dodge W100-150, 200-250, 300-350	1972 - 1993
995	110	30.5	7	Dodge Ram Charger 4x4	1974 - 1993
995	110	30.5	7	Plymouth Trail Duster 4x4	1974 - 1993
1225	50	32.0	7	Ford F150/F250LD 4x4	1997 - Later
1265	150	29.1	7	Ford Bronco 4x4, F250 2wd	1992 - 1996
1275	145	29.1	7	Ford F150 4x4	1992 - 1996

#	MOUNT WEIGHT	X	Y	VEHICLE USE	YEAR
1295	150	32.0	7	Ford F250/F350 (4x4, 2wd Over 10,000 GVWR) SuperDuty	1992 - 1998
3215	138	32.0	7	Ford F250/F350 (4x4, 2wd Over 10,000 GVWR) SuperDuty	1999 - Later
3225	145	32.0	7	Ford F250/F350 (4x4, 2wd Over 10,000 GVWR) SuperDuty	1999 - Later
1345	152	27.8	7	Ford Bronco, F150 4x4, F250/350, SuperDuty	1980 - 1991
1515	105	27.5	7	Chevy/GMC Light Truck 4x4	1981 - 1987
1515	105	27.5	7	Blazer, Jimmy, Suburban	1981 - 1991
1525	80	31.0	7	Chevy/GMC 2wd, C & R 20/2500 - 30/3500	1981 - 1991
1565	110	28.0	7	Chevy/GMC 3500 HD	1991 - Later
1575	80	29.3	7	Chevy/GMC 2wd C2500/3500	1988 - 2000
1585	100	28.8	7	Chevy/GMC Light Truck (Classic Style)	1988 - 2000
3515	50	28.8	7	Chevy/GMC Light Truck (1500 4x4) (Silverado/Sierra)	1999 - Later
3525	50	28.8	7	Chevy/GMC Light Truck (2500 4x4) (Silverado/Sierra)	1999 - Later
2355	55	26.9	7	Toyota 4x4 Pick-Up, 4Runner	1984 - 1995
2365	50	27.0	7	Toyota Tacoma	1995 1/2 - Later

DIMENSIONAL DIAGRAM



Example: Weight that one would use if they had a 7-1/2' SY with the poly deflector and the dolly wheels.

The weight of the plow alone with no accessories would be 545 lbs. with its center of gravity 27.2 in. from the coupling point.

To add the weight of the accessories, look in the row with the blade 7-1/2' SY to find the effective poly deflector weight of 18.4 lbs. and the effective dolly wheel weight of 23.4 lbs.

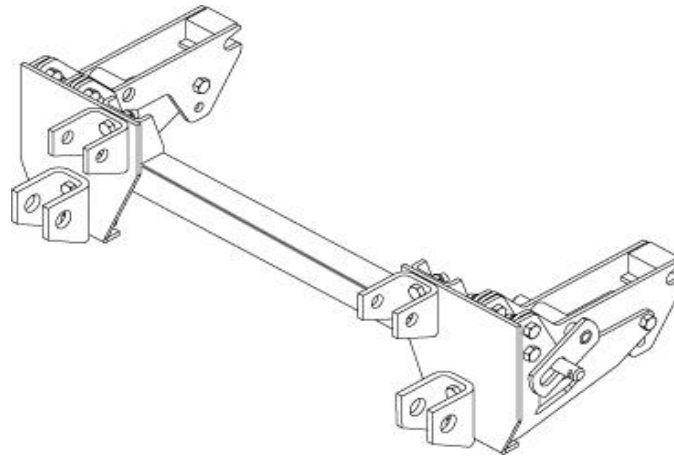
The total weight of the blade and accessories will be:

545.0
18.4
<u>23.4</u>
586.8 with its center of gravity still at 27.2 in. from the coupling point

ALWAYS comply with the vehicle manufacturer's stated gross vehicle and axle weight ratings (found on the driver side door jam of the vehicle) and front and rear weight distribution ratio with the snowplow installed. In some cases, rear ballast may be required to achieve these requirements.

Available vehicle capacities for after-market equipment and components can be determined by using the above information along with information provided by the vehicle manufacturers Body Builder Guides. Follow all requirements and recommendations as stated by vehicle manufacturer.

UltraMount[®] to UniMount[®] Conversion Kit



This easy to use UltraMount[®] to UniMount[®] conversion kit enables you to attach a UniMount[®] plow to a vehicle equipped with an UltraMount[®] mount.

Simply remove the receivers from your UltraMount System mount, and pin the conversion plate in place. This accessory is perfect for customers with multiple snowplows, providing their fleet with versatility while changing to the UltraMount System.

This new kit is also ideal for transferring an old UniMount plow to a new truck. As new trucks are released, we will develop only new UltraMounts for these plow applications. This will allow the customer to transfer an existing UniMount plow to the late model vehicle. In addition, when customers are ready to replace their old UniMount plow, the truck will already have the mount and wiring for an UltraMount plow.

To qualify the vehicle and determine ballast, you must fill out the **VEHICLE AND PLOW APPLICATION INQUIRY SHEET**

⚠ WARNING

**CONVERSION KIT USE IS LIMITED
TO VEHICLES UNDER 10,000 GVWR**

⚠ WARNING

**Do not exceed GVWR or GAWR, including
blade and ballast. The rating label is found
on the driver-side, vehicle door cornerpost.**

Note: When ballast is required it should be secured behind the rear wheels in a manner which prevents it from sliding during normal driving. Western Products offers an optional ballast retainer kit (62849) for this purpose.

VEHICLE AND PLOW APPLICATION INQUIRY SHEET ON FOLLOWING PAGE

The following sheet is to be used for:

UltraMount® to UniMount® Conversion Kit with a GVWR of less than 10,000 lb.

4WD (Four Wheel Drive) Chassis Cabs with a GVWR of 8,500 lb. or higher

2WD (Two Wheel Drive) Chassis Cabs with a GVWR of 10,000 lb. or higher

Exceptions are those vehicles that are listed as Chassis Cab in Selection List that are other than above.

This form is to be filled out when assistance is necessary to determine the appropriate ballast/plow combinations for the vehicle in question.

This form **must** be completed in its entirety.

Any forms containing incomplete information **will not be considered**.

VEHICLE **MUST** BE WEIGHED COMPLETE AND EMPTY (NO OCCUPANTS, PLOW and/or PLOW MOUNT)

Please return a completed copy of the VEHICLE AND PLOW APPLICATION INQUIRY SHEET via fax (414) 354-6664.

VEHICLE AND PLOW APPLICATION INQUIRY SHEET



Western Products
 7777 North 73RD Street
 Milwaukee, WI 53223

Telephone (414) 354-2310
 Fax (414) 354-6664

DISTRIBUTOR				TEL
				FAX
CUSTOMER				
VIN				
	DATE BUILT			
SELECT MOUNT TYPE	<input type="checkbox"/> UniMount®	<input type="checkbox"/> UltraMount®	<input type="checkbox"/> Conversion Kit	

VEHICLE INFORMATION

YEAR				
MAKE				
MODEL				
DRIVE TRAIN	<input type="checkbox"/> 2WD	<input type="checkbox"/> 4WD	<input type="checkbox"/> ALL WHEEL	<input type="checkbox"/> OTHER
DRW (Dual Rear Wheels)	<input type="checkbox"/> YES	<input type="checkbox"/> NO		
BODY STYLE	<input type="checkbox"/> REG CAB	<input type="checkbox"/> X-CAB	<input type="checkbox"/> OTHER	
BOX OPTION (S)	<input type="checkbox"/> DUMP BOX	<input type="checkbox"/> STAKE BED	<input type="checkbox"/> OTHER	
ENGINE TYPE				
GFAWR				
GRAWR				
GVWR				

HORIZONTAL DISTANCE DESCRIPTION

L31	DRIVERS hip point, in MIDDLE position, to Centerline of FRONT axle	(in.)
L101	Between axles (Wheelbase)	(in.)
L104	Middle of FRONT bumper to centerline of FRONT axle	(in.)
	Middle of ballast location to centerline of REAR axle	(in.)

VEHICLE WEIGHT (TRUCK MUST BE WEIGHED COMPLETE AND EMPTY (-) PLOW & MOUNT)

FRONT (lb.)	REAR (lb.)

FUEL TANKS (ONLY NEEDED IF WEIGHED VEHICLE NOT FULLY FUELED)

	LEVEL (see below)	CAPACITY (gal.)	LOCATION FROM REAR AXLE TO CENTER OF TANK(in.)
FRONT OF AXLE			
REAR OF AXLE			

FUEL LEVEL (EMPTY = 0, HALF = 1/2, FULL = 1)

THIS FORM MUST BE COMPLETED IN ITS ENTIRETY. ANY FORMS CONTAINING INCOMPLETE INFORMATION WILL NOT BE CONSIDERED. PLEASE RETURN VIA FAX (414) 354-6664.

This form is for use with: 4WD (Four Wheel Drive) Chassis Cabs w/ minimum of 8,500 lb. GVWR or 2WD (Two Wheel Drive) Chassis Cabs w/ minimum of 10,000 lb. GVWR.

WESTERN PRODUCTS and the vehicle manufacturer may require or recommend optional equipment for snow removal. See the WESTERN PRODUCTS Selection List for additional product information.

