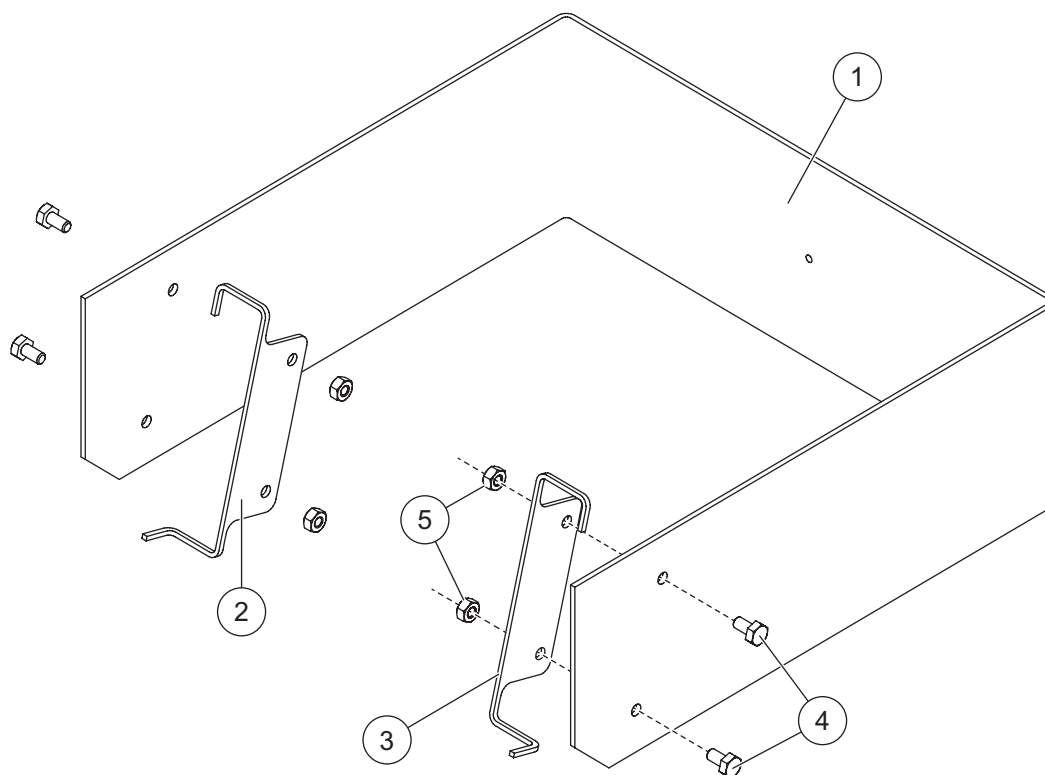


Poly Deflector Kit

Walk-Behind Spreaders

PARTS LIST



50978 Poly Deflector Kit							
Item	Part	Qty	Description	Item	Part	Qty	Description
1		1	Deflector	4		4	1/4-20 x 1/2 Button Head Cap Screw SS
2		1	Left-Hand Hanger				
3		1	Right-Hand Hanger	5		4	1/4-20 Serrated Flange Nut

SS = Stainless Steel

⚠ CAUTION

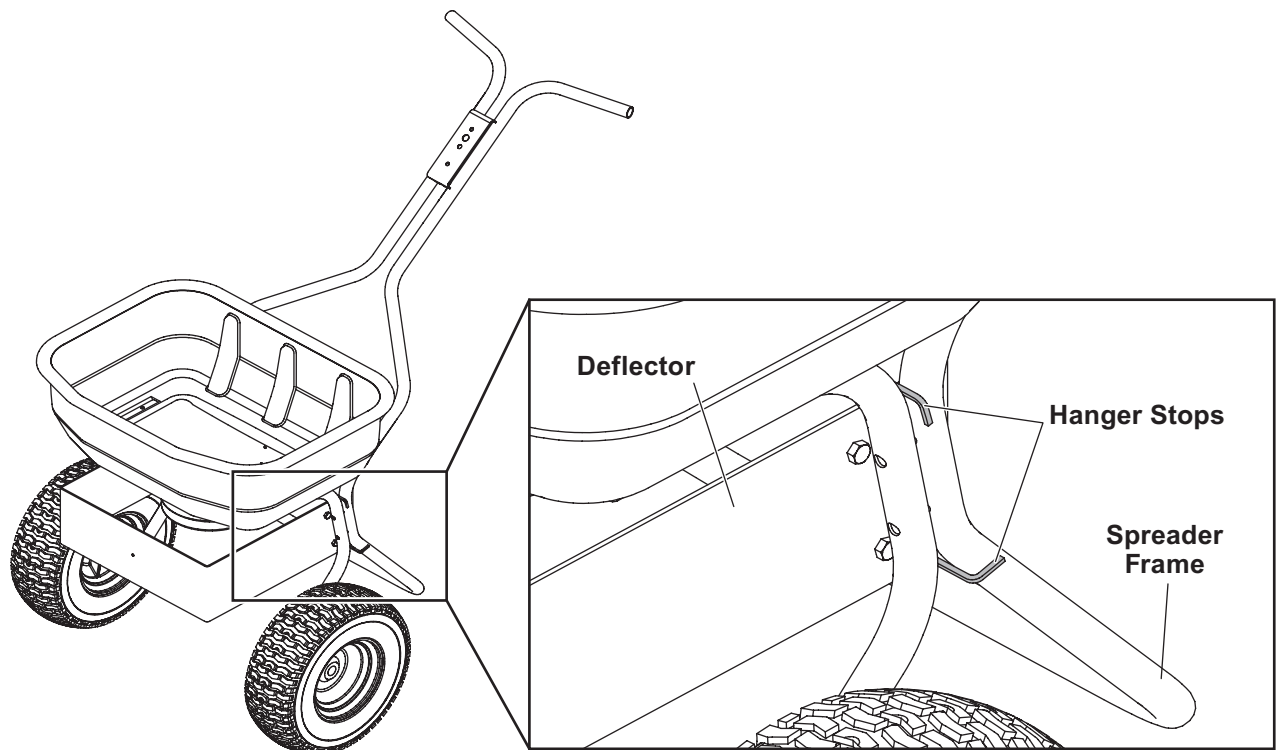
Read this document before installing the poly deflector kit.

⚠ CAUTION

Use standard methods and practices when installing service parts and accessories, including proper personal protective safety equipment.

INSTALLATION INSTRUCTIONS

1. Attach the right- and left-hand hangers to the deflector using 1/4" x 1/2" button-head cap screws and 1/4" flange nuts as shown.
2. Install the deflector assembly onto the spreader frame by hanging it from the upper tube joint. Allow the assembly to fall into position so that the lower hanger stops rest against the frame.



Copyright © 2013 Douglas Dynamics, LLC. All rights reserved. This material may not be reproduced or copied, in whole or in part, in any printed, mechanical, electronic, film or other distribution and storage media, without the written consent of the company. Authorization to photocopy items for internal or personal use by the company's outlets or spreader owner is granted.

The company reserves the right under its product improvement policy to change construction or design details and furnish equipment when so altered without reference to illustrations or specifications used. This equipment manufacturer or the vehicle manufacturer may require or recommend optional equipment for spreaders. Do not exceed vehicle ratings with a spreader. The company offers a limited warranty for all spreaders and accessories. See separately printed page for this important information.

Printed in U.S.A.