



PRODIGY™ Snowplow

Blade Assembly 57700

Center Assembly 57800, 57800-3

Central Hydraulics 57810, 57810-3

Parts List

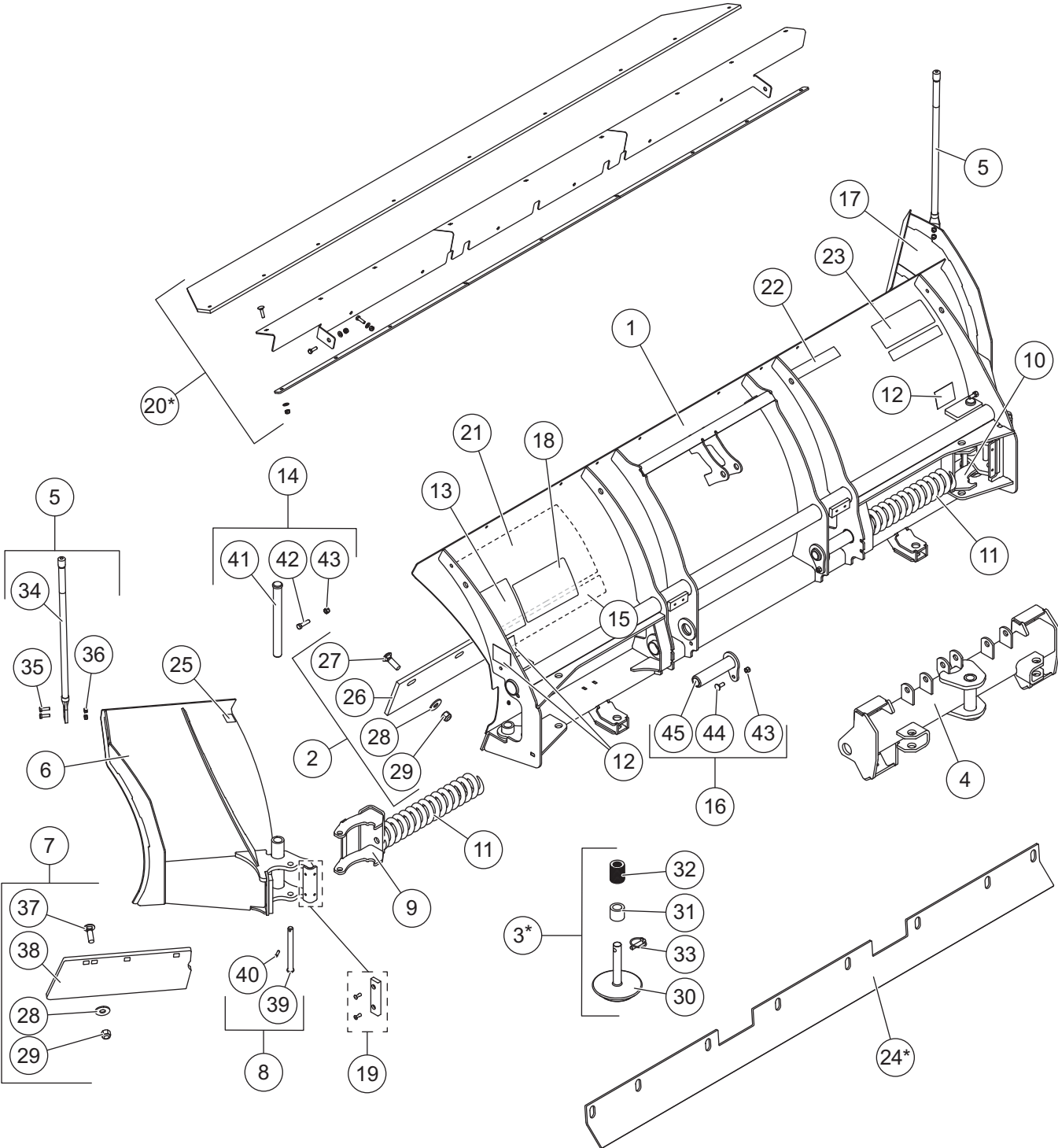


TABLE OF CONTENTS

PRODIGY™ BLADE	4
Moldboard Assembly	4
Blade Components	6
PRODIGY CENTER ASSEMBLY	8
Lift Frame and A-Frame Components	8
Hydraulic Unit Components	10
Hydraulic Unit Cover Assembly	12
Lift and Angle Ram Components	13
Hoses and Fittings	13
Electrical Components	14
Vehicle-Side Wiring Diagram – 3-Port, 2-Plug System	15
Headlamp Kits	16–17

PRODIGY™ BLADE 57700

Moldboard Assembly



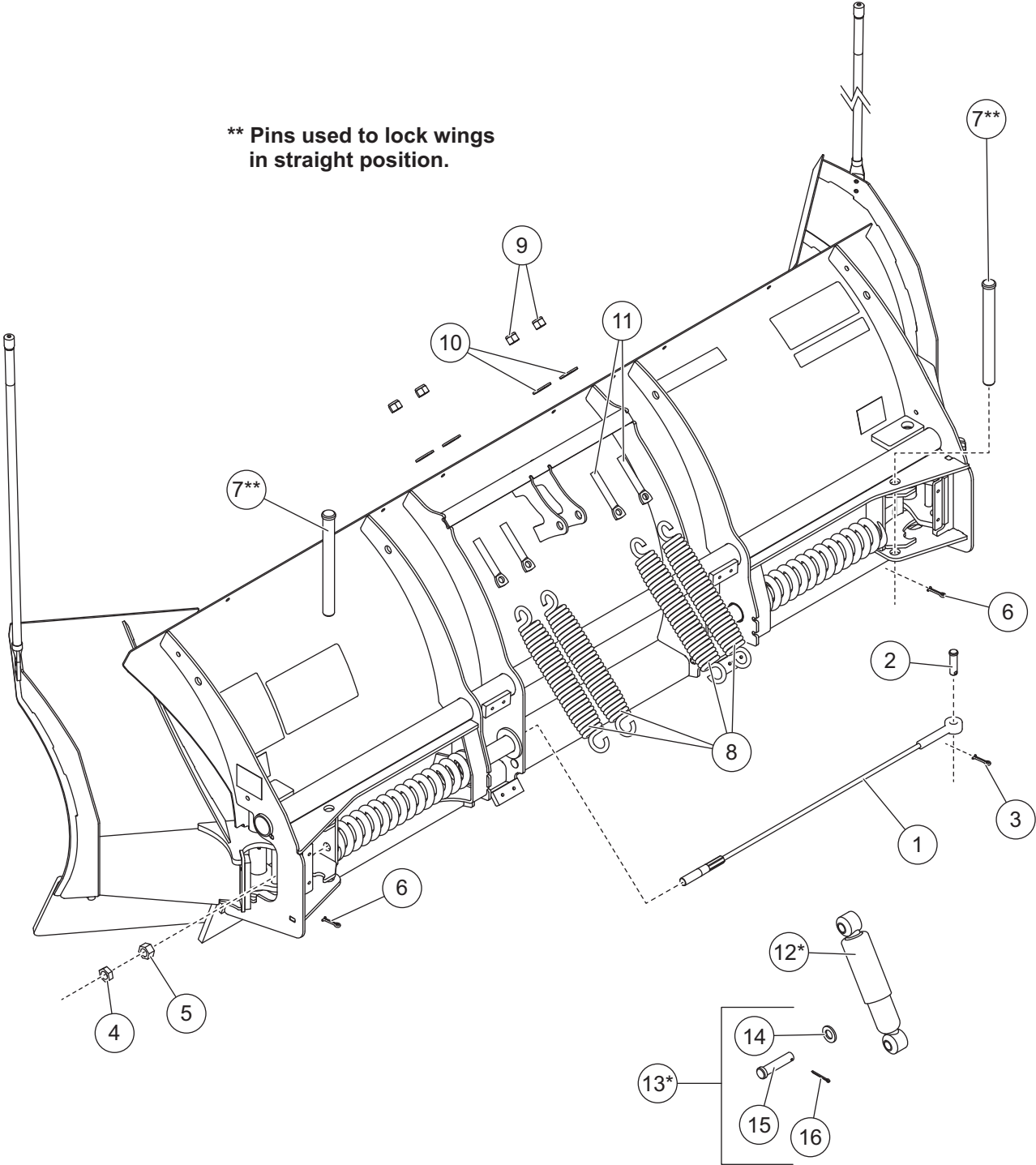
PRODIGY™ BLADE 57700

49766 PRODIGY Moldboard Assembly							
Item	Part	Qty	Description	Item	Part	Qty	Description
1	41750	1	Moldboard (w/labels)	14	42396	2	Hinge Pin Kit
2	49799	1	Moldboard Cutting Edge Kit	15	43175	1	Label – Logo, PRODIGY
3*	49853	1	HD Plow Shoe Assembly Kit	16	42531	2	Pivot Bushing Kit
4	49769	1	Quadrant	17	41752	1	Wing – PS
5	62595	1	Blade Guide Assembly (DS and PS)	18	43360	1	Label – Attach/Detach, UltraMount® 2
6	41751	1	Wing – DS	19	42395	4	Bumper Kit
7	42383	1	Wing Cutting Edge Kit (DS and PS)	20*	42384	1	Deflector Kit
8	42397	2	Spring Guide Pin Kit	21	40986	1	Label – Logo, CONTRACTOR GRADE®
9	42392	1	Spring Guide – DS	22	28404	1	Label – Logo, ULTRAFINISH™
10	42393	1	Spring Guide – PS	23	44451	1	Label – Logo, WESTERN®
11	42725	2	Compression Spring	24*	42437	1	Back Drag Edge
12	29593	4	Label – Warning, Multiple Pinch Points	25	43528	2	Wear Strip – Wing Top
13	59900	1	Label – Warning/Caution, Snowplows				
Item 2 49799 Moldboard Cutting Edge Kit							
26		1	Blade Cutting Edge	28		8	5/8 Hardened Flat Washer
27		8	5/8-11 x 2-1/2 Carriage Bolt G5	29		8	5/8-11 Hex Locknut GB
Item 3* 49853 HD Plow Shoe Assembly Kit							
30		2	HD Plow Shoe	32		34	Flat Washer, Special
31		2	1-1/8 ID, 1-5/8 OD x 1-1/2 Spacer	33		2	7/16 x 1-3/4 Linchpin
Item 5 62595 Blade Guide Assembly (DS and PS)							
34		2	Blade Guide Poly 24" w/Label	36		4	5/16-18 Hex Locknut GB
35		4	5/16-18 x 1 Hex Cap Screw G5				
Item 7 42383 Wing Cutting Edge Kit (DS and PS)							
28		6	5/8 Hardened Flat Washer	37		6	5/8-11 x 2 Carriage Bolt G5
29		6	5/8-11 Hex Locknut GB	38		2	Wing Cutting Edge
Item 8 42397 Spring Guide Pin Kit							
39		2	Wing Lock Pin	40		2	1/4 x 1 Coiled Spring Pin
Item 14 42396 Hinge Pin Kit							
41		1	Hinge Pin	43		1	3/8-16 Hex Locknut GB
42		1	3/8-16 x 1-1/2 Hex Cap Screw G5				
Item 16 42531 Pivot Bushing Kit							
43		1	3/8-16 Hex Locknut GB	45		1	Pivot Bushing
44		1	3/8-16 x 1 Carriage Bolt G5				
G = Grade							

* Accessory only.

PRODIGY™ BLADE 57700

Blade Components

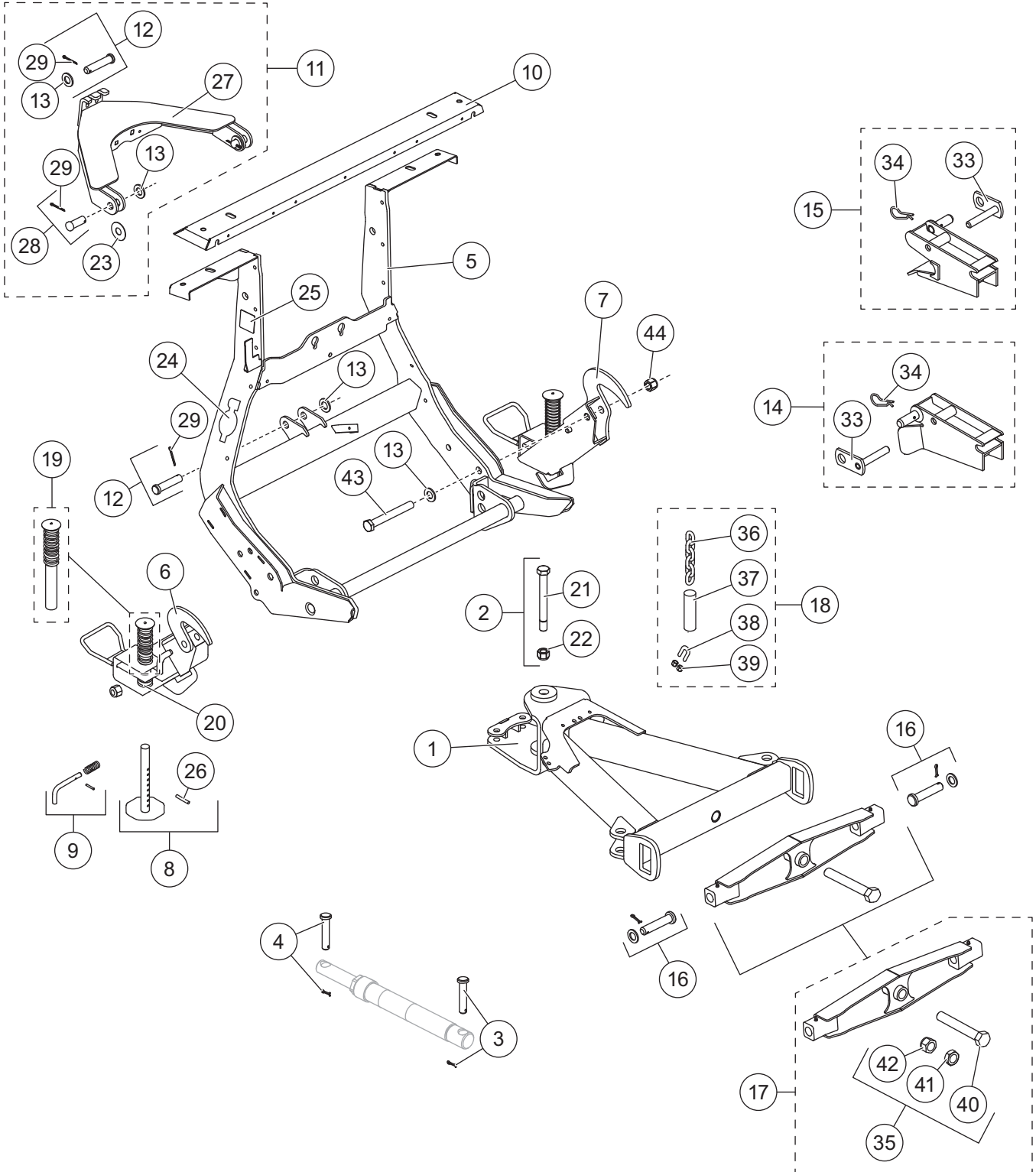


PRODIGY™ BLADE 57700

PRODIGY Blade Components							
Item	Part	Qty	Description	Item	Part	Qty	Description
1	42389	2	Cable Assembly w/Hardware (incl. items 2, 3, 4, and 5)	7	42738	2	3/4 x 9 Clevis Pin
2	B61563	2	0.625 x 2.33 Clevis Pin	8	23039	4	Trip Spring
3	90601	2	1/4 x 1-1/2 Cotter Pin	9	91416	4	5/8-11 Hex Nut G5
4	B61615	2	3/4-10 Hex Jam Nut	10	90576	4	5/8 Hardened Flat Washer
5	B61343	2	3/4-10 Hex Nut	11	90490	4	5/8-11 x 4 Eyebolt G2
6	91962	2	1/8 Hairpin Cotter	12*	63979	1	Shock Absorber
				13*	93063K	2	Shock Absorber Hardware Kit
Item 13*				93063K Shock Absorber Hardware Kit			
14		2	3/4 Flat Washer	16		2	5/32 x 1-1/2 Cotter Pin
15		2	3/4 x 4 Clevis Pin				
G = Grade							

* Accessory only.

Lift Frame and A-Frame Components



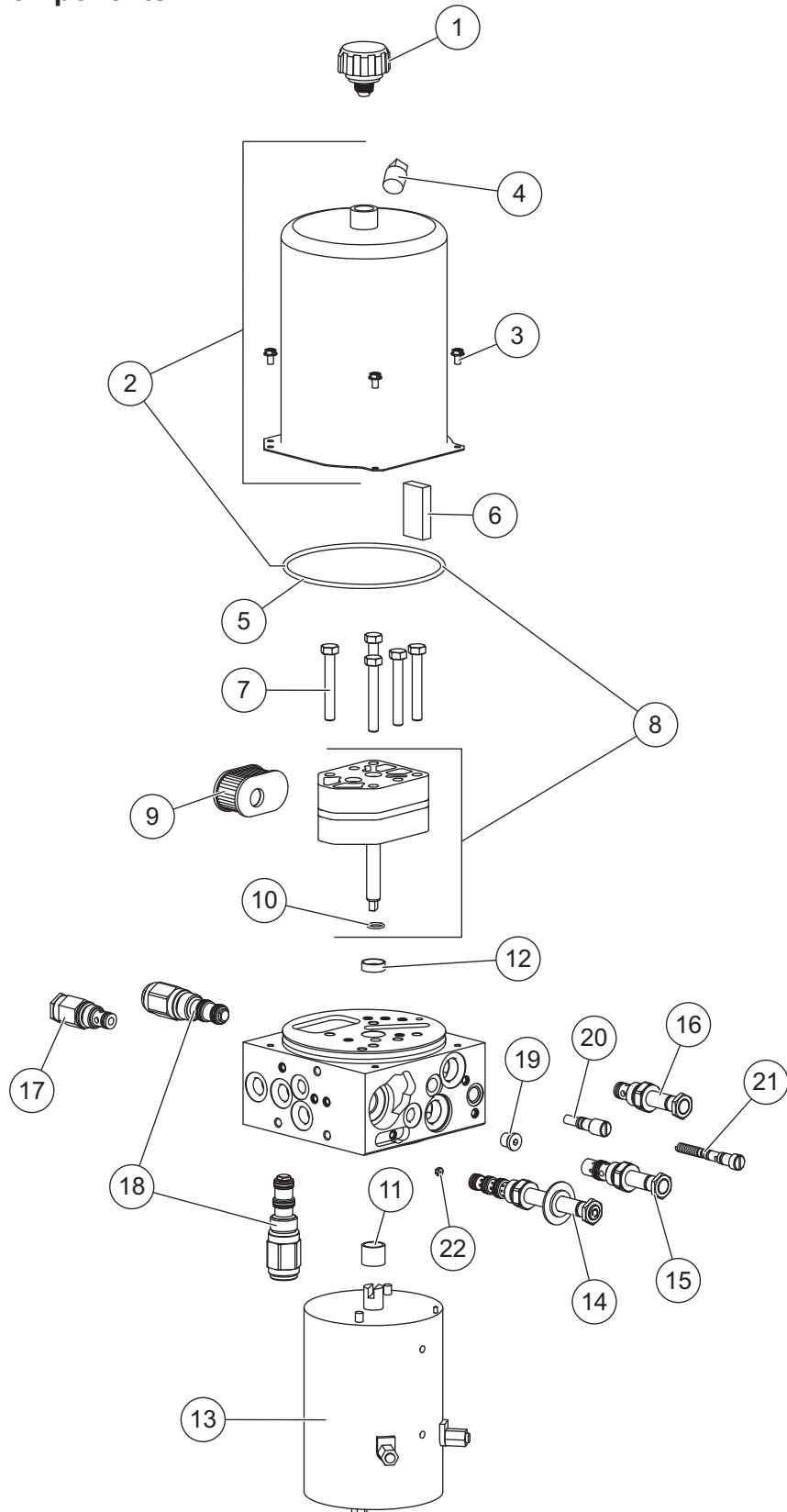
PRODIGY™ CENTERASSEMBLY 57800/57800-1/57800-3/57810(CH)/57810-1(CH)/57810-3(CH)

PRODIGY Lift Frame and A-Frame Components							
Item	Part	Qty	Description	Item	Part	Qty	Description
1	49767	1	A-Frame	12	68740	1	3/4 x 3-1/2 Clevis Pin Kit
2	49768	1	Pivot Bolt Kit	13	91147	6	3/4 Flat Washer
3	50672	2	1 x 4 Pin Kit	14	76722	1	Receiver Kit – DS
4	50674	2	1 x 3-5/16 Pin Kit	15	76718	1	Receiver Kit – PS
5	86790	1	Lift Frame Kit	16	49645	2	1 x 4-3/4 Clevis Pin Kit
6	72618	1	Stand Assembly – DS	17	67842-1	1	Pivot Bar Kit
7	72617	1	Stand Assembly – PS	18	49033	2	1/4 Grade 43 Chain Assembly
8	67847	2	Stand Shoe Kit	19	48523	1	Stand Plunger Assembly (item 20 not included)
9	67844	2	Stand Lock Pin Kit	20	67636	2	Stand Lock Spring
10	43302	1	Light Channel				
11	43304	1	Lift Arm Kit				
Item 2 49768 Pivot Bolt Kit							
21	66949	1	1-8 x 9 Hex Cap Screw G5, Special	22	91340	1	1-8 Hex Locknut GB
Item 5 86790 Lift Frame Kit							
		1	Lift Frame	24	43358	2	Label – Logo, UltraMount® 2
6		1	Stand Assembly – DS	25†	69689	1	Label – Logo, SECURITY GUARD™
7		1	Stand Assembly – PS	ns	79160	1	Parts Bag
23		2	UHMW Round Flat Washer, Special				
Item 8 67847 Stand Shoe Kit							
		1	Stand Shoe	26	67635	1	1/4 x 2 Roll Pin BP
Item 11 43304 Lift Arm Kit							
12	68740	1	3/4 x 3-1/2 Clevis Pin Kit	27		1	Lift Arm
23		2	UHMW Round Flat Washer, Special	28	43351	2	3/4 x 2 Pin Kit
Item 12 68740 3/4 x 3-1/2 Clevis Pin Kit							
		1	Pin	29	91911K	1	5/32 x 1-1/2 Cotter Pin Kit (pkg of 4)
13	91147	1	3/4 Flat Washer				
Item 14 76722 Receiver Kit – DS							
		1	Receiver – DS	34	91965K-1	1	5/32 Hairpin Cotter
33	42498	1	Receiver Pin				
Item 15 76718 Receiver Kit – PS							
		1	Receiver – PS	34	91965K-1	1	5/32 Hairpin Cotter
33	42498	1	Receiver Pin				
Item 17 67842-1 Pivot Bar Kit							
		1	Pivot Bar	35	67855	1	Pivot Bolt Kit
Item 18 49033 1/4 Grade 43 Chain Assembly (2 per snowplow)							
36		1	1/4 x 42 Grade 43 Chain	38	90453	1	3/8-16 x 1-1/2 U-Bolt G5
37		1	Plastic Tube	39	91333	2	3/8-16 Hex Locknut GB
Item 28 43351 3/4 x 2 Clevis Pin Kit							
		1	Pin	29	91911K	1	5/32 x 1-1/2 Cotter Pin Kit (pkg of 4)
13	91147	1	3/4 Flat Washer				
Item 35 67855 Pivot Bolt Kit							
40		1	1-8 x 7 Hex Cap Screw G5	42		1	1-8 Hex Locknut GB
41		1	1-8 Hex Jam Nut G5				
79160 Parts Bag							
13		2	3/4 Flat Washer	44		2	3/4-10 Hex Locknut GB
43		2	3/4-10 x 6 Hex Cap Screw G5				
ns = not shown				G = Grade			

† Not used for central hydraulics.

PRODIGY™ CENTER ASSEMBLY 57800/57800-1/57800-3

Hydraulic Unit Components



PRODIGY™ CENTER ASSEMBLY 57800/57800-1/57800-3

42885 Hydraulic Unit PRODIGY 41866* Hydraulic Unit Service Kit PRODIGY (not used for central hydraulics)							
Item	Part	Qty	Description	Item	Part	Qty	Description
1	21727K-2	1	Breather Pressure Control	15	44332	1	Valve – SVCV08-20 w/Nut
2	44327-3	1	Reservoir Kit	16	49227K-2	1	Valve – SV08-2004 w/Nut
3	66607	4	#10-24 x 5/16 Machine Screw	17	42889	1	Relief Valve, 4000 psi
4	92079	1	3/8 Plug NPTF Square	18	42888	2	Counterbalance Valve
5	66519	1	O-Ring 2-250	19	44344	1	7/16-20 Socket O-Ring Boss Plug
6	73897	1	Magnet	20	48517	1	Quill Assembly, 1/2-20 Thread
7	90073	5	5/16-18 x 2 Hex Cap Screw G5	21	49138K-5	1	Relief Valve Kit (2 sets)
8	42887	1	Pump Kit	22	43370	1	0.1 Orifice Plate
9	56789-5	1	Suction Filter	ns	29099	2	1/4-20 x 1/4 Hex Washer-Head Thread-Rolling Screw
10	56274	1	O-Ring -013	ns	44326	1	1/4-20 x 1/2 6-Lobe Round Washer-Head Screw (pkg of 5)
11**	64596-1	1	Sleeve Bearing and Shaft Seal Kit (incl. item 12)	ns	44355	2	1/4-20 x 5/8 Hex Washer-Head Thread-Rolling Screw
12†	66515	1	Pump Shaft Seal				
13	21500-1	1	Motor Assembly 4-1/2				
14	48291	1	Valve – 4-Way, 3-Position, Closed Ctr				
O-Ring Service Kits							
–	56657-5	–	O-Ring/Back-Up Ring Kit (does not contain O-rings for cartridge valves)	–	49259-2	–	Seal Kit – Valves SV08-30, -31, -33, -40, -41, -43, -45; SVCV08-20; PC08-30; Crossover Relief Valve
–	49258-2	–	Seal Kit – Valves SV08-2004, CV08-20, SF08-2015	–	52303	–	Seal Kit – Counterbalance Valve
ns = not shown				G = Grade			

* Includes 42885 hydraulic unit, 42892 cover assembly, and plow-side electrical components (p. 14).

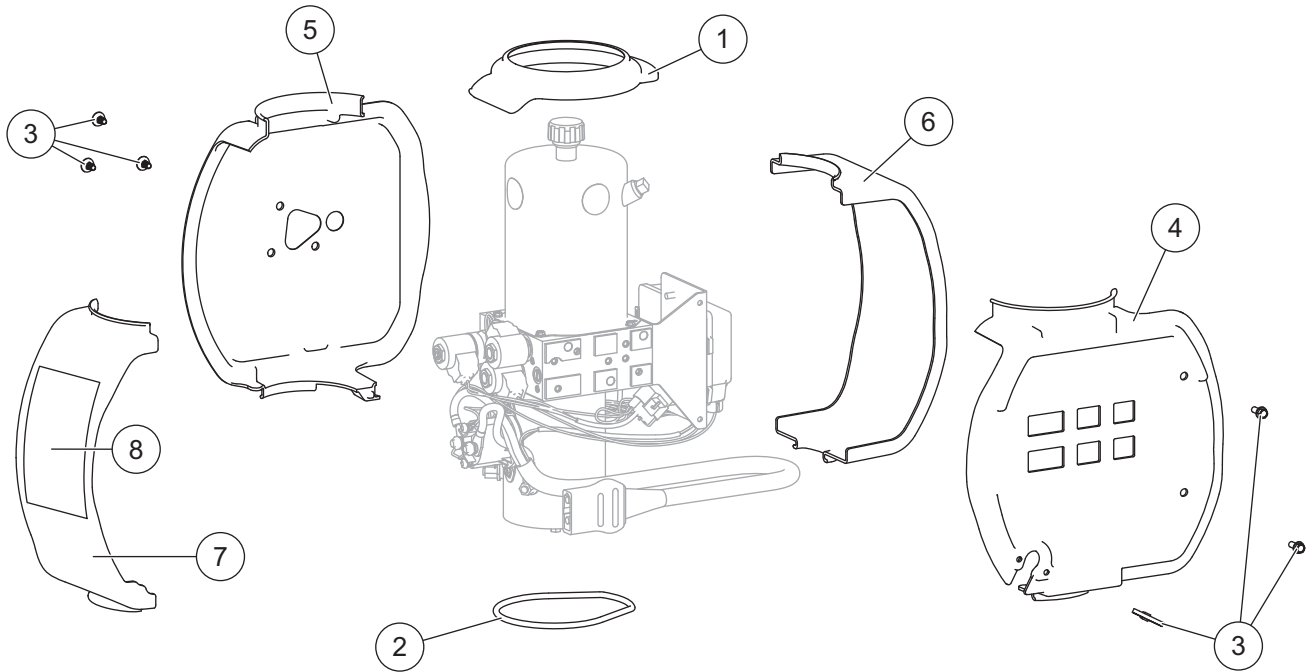
** Use 64589 tool for bearing sleeve replacement (includes 1 bearing).

† Use 28856 tool for pump shaft seal replacement (includes 1 seal).

Go to www.westernplows.com for hydraulic unit service information and specifications.

PRODIGY™ CENTER ASSEMBLY 57800/57800-1/57800-3

Hydraulic Unit Cover Assembly

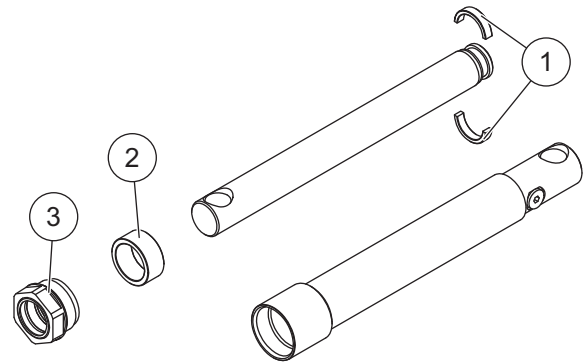
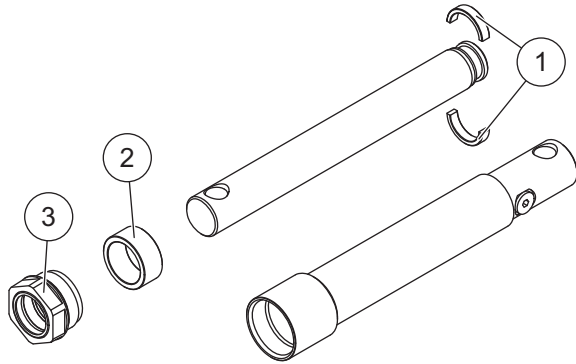


42892 Hydraulic Unit Cover Assembly							
Item	Part	Qty	Description	Item	Part	Qty	Description
1	44352	1	Top Retainer Ring	6		1	Cover, Side 3
2	44366	1	Bottom Retainer Ring	7		1	Cover, Side 4
3	44326	1	1/4-20 x 1/2 6-Lobe Round Washer-Head Screw (pkg of 5) w/8" Cable Tie	8	48806	1	Label – Hydraulic Information, Cover
4		1	Cover, Side 1	ns	42894	1	Label – Logo, PRODIGY
5		1	Cover, Side 2	ns	61536	1	Cable Tie, 14"

ns = not shown

PRODIGY™ CENTER ASSEMBLY 57800/57800-1/57800-3

Lift and Angle Ram Components

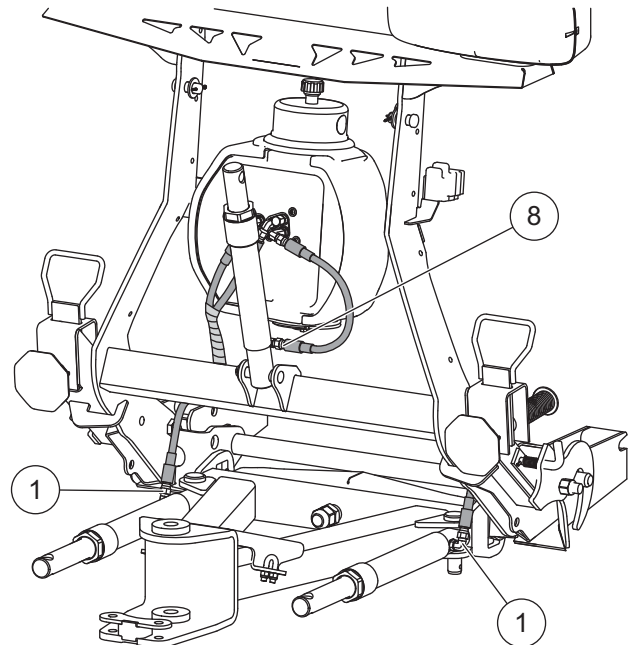
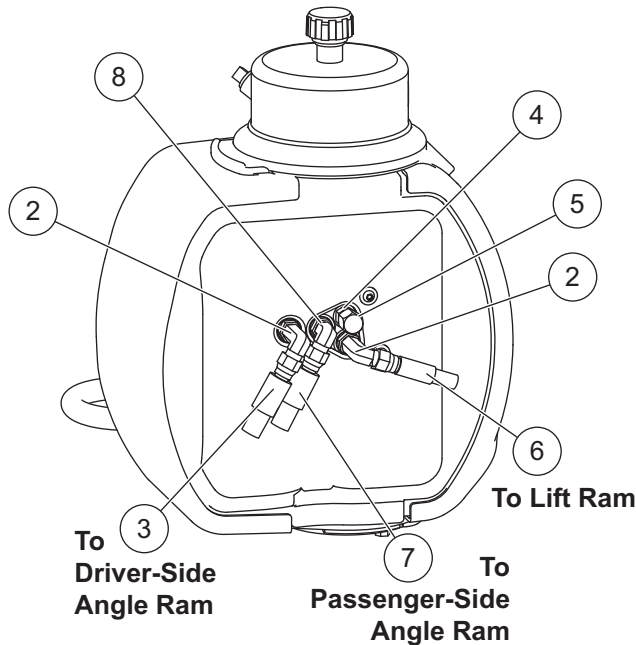


56538K Lift Ram Assembly 1-1/2 x 8			
Item	Part	Qty	Description
1	64650	1	Split Bearing Kit 1-1/2
2	56537	1	Spacer
3	48985	1	Gland Nut Assembly

49460 Angle Ram Assembly 1-1/2 x 10			
Item	Part	Qty	Description
1	64650	1	Split Bearing Kit 1-1/2
2	56537	1	Spacer
3	48985	1	Gland Nut Assembly

Go to www.westernplows.com for hydraulic unit service information and specifications.

Hoses and Fittings

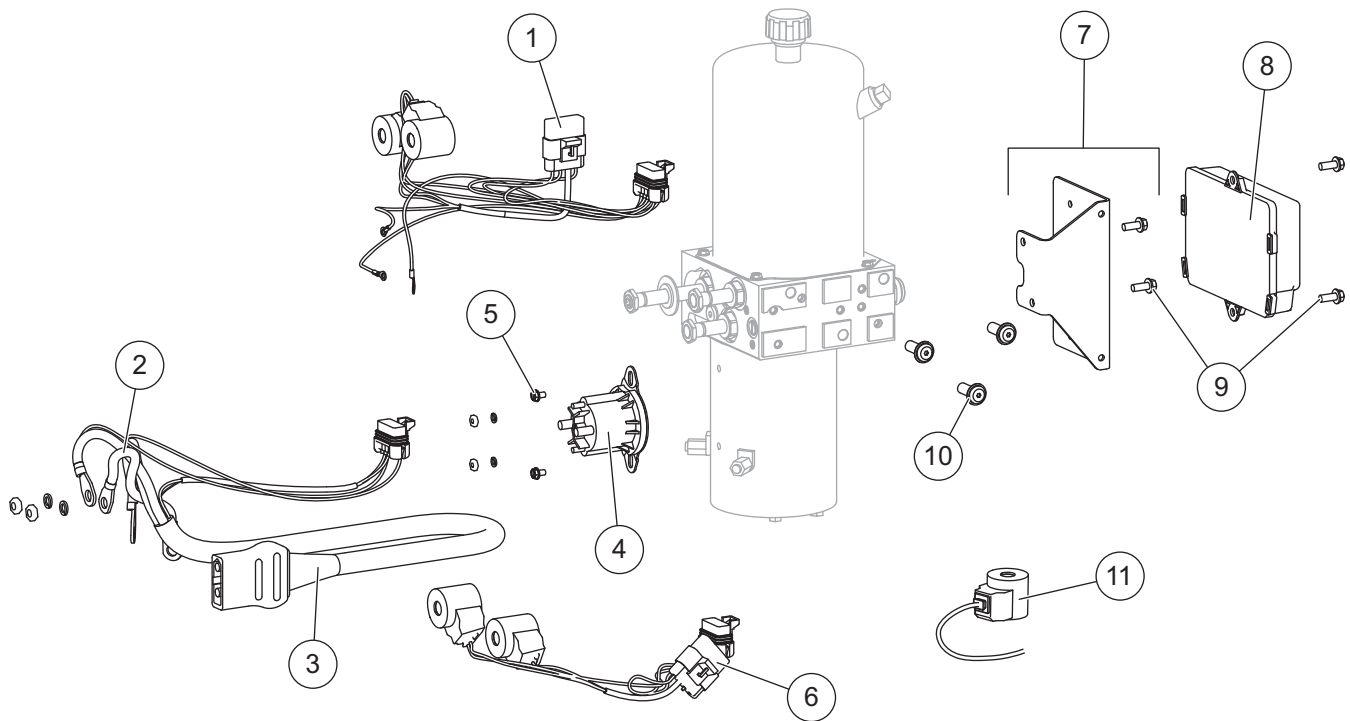


Hoses and Fittings							
Item	Part	Qty	Description	Item	Part	Qty	Description
1	56615-1	2*	Elbow, 90° -6 M JIC/-6 M ORB	5	48332	1	Adapter 9/16-18 x 7/16-20 ORB
2	64212-1	2	Elbow, Extra Long 90° -6 M JIC/-6 M ORB	6	40569	1	1/4 x 16 Hose w/F JIC Ends
3	49496	1	3/8 x 42 Hose w/F JIC Ends	7	49532	1	3/8 x 36 Hose Kit w/F JIC Ends
4	44346	1	Drain Cap, -6 F JIC	8	77929	2*	Elbow, 90° -6 M JIC/-6 M ORB w/Screen
F = Female				M = Male			

* Also used for central hydraulics, qty 3.

PRODIGY™ CENTER ASSEMBLY 57800/57800-1/57800-3

Electrical Components

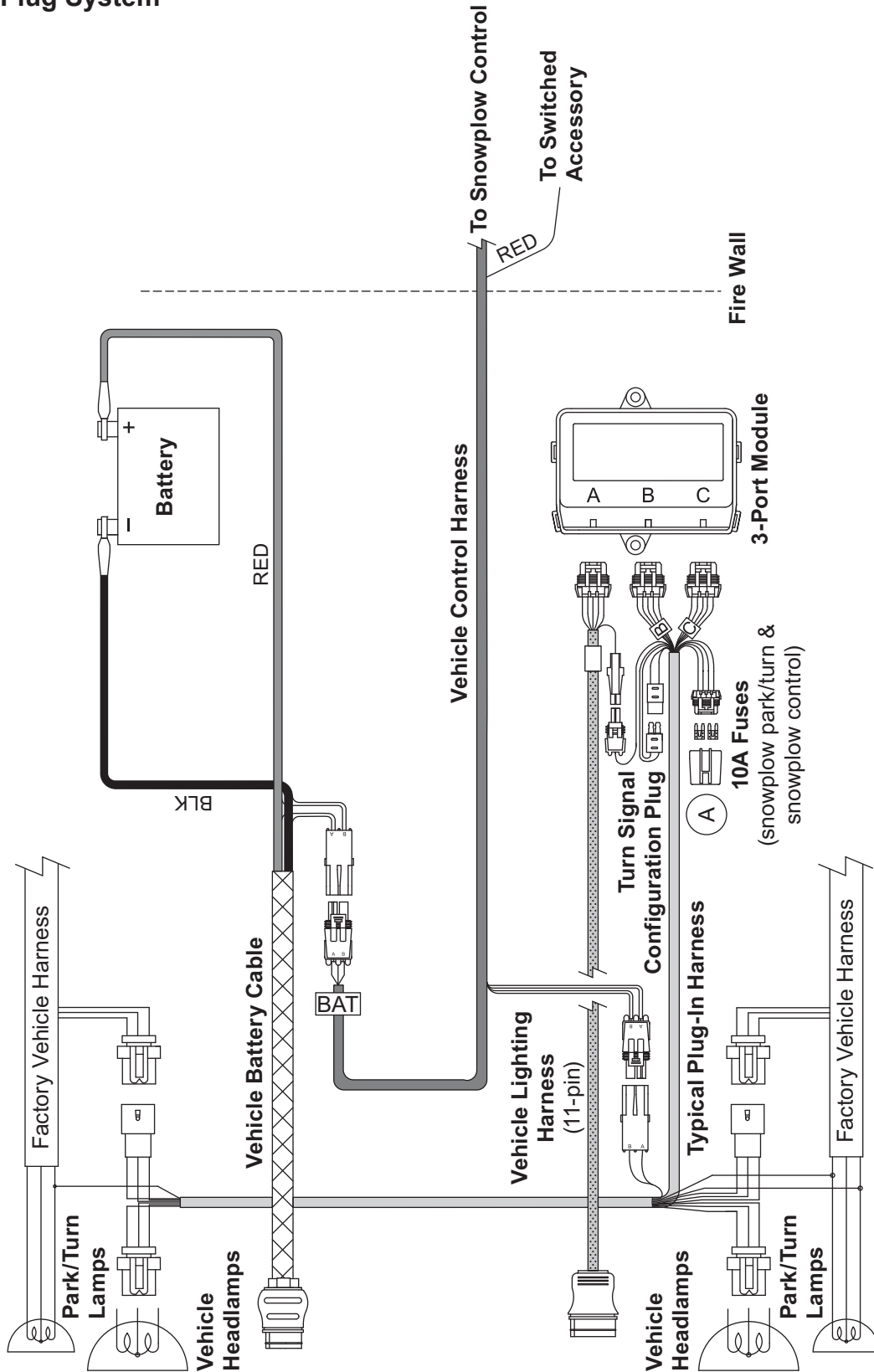


Plow-Side Electrical Components							
Item	Part	Qty	Description	Item	Part	Qty	Description
1	48858	1	Harness Plow Control, 2-Coil (port B)	9	44355	4	1/4-20 x 5/8 Hex Washer-Head Thread-Rolling Screw
2	29071	1	Cable Assembly 8"	10	98043	3	3/8-16 x 1 Button Cap Screw
3	42015	1	Plow Battery Cable	11	48294	4	Coil w/Wire Leads
4	42902	1	Motor Relay Kit, FLEET FLEX System	ns	61246	1	Cable Boot
5	29099	2	1/4-20 x 1/4 Hex Washer-Head Thread-Rolling Screw	ns	56099	1	Dielectric Grease
6	29851	1	Harness Plow Control, 2-Coil (port C)	ns		3	Fuse, 5A Mini Automotive-Style (for items 1 & 6)
7	42893	1	Bracket - Plow Module				
8	44354-3	1	Plow Module				
Vehicle-Side Electrical Components							
*	72527	1	Vehicle Battery Cable	ns	61548K	1	Plug Cover Kit
*	28587	1	Vehicle Control Harness	A*	29998	1	Fuse Cover (pkg of 5)

ns = not shown

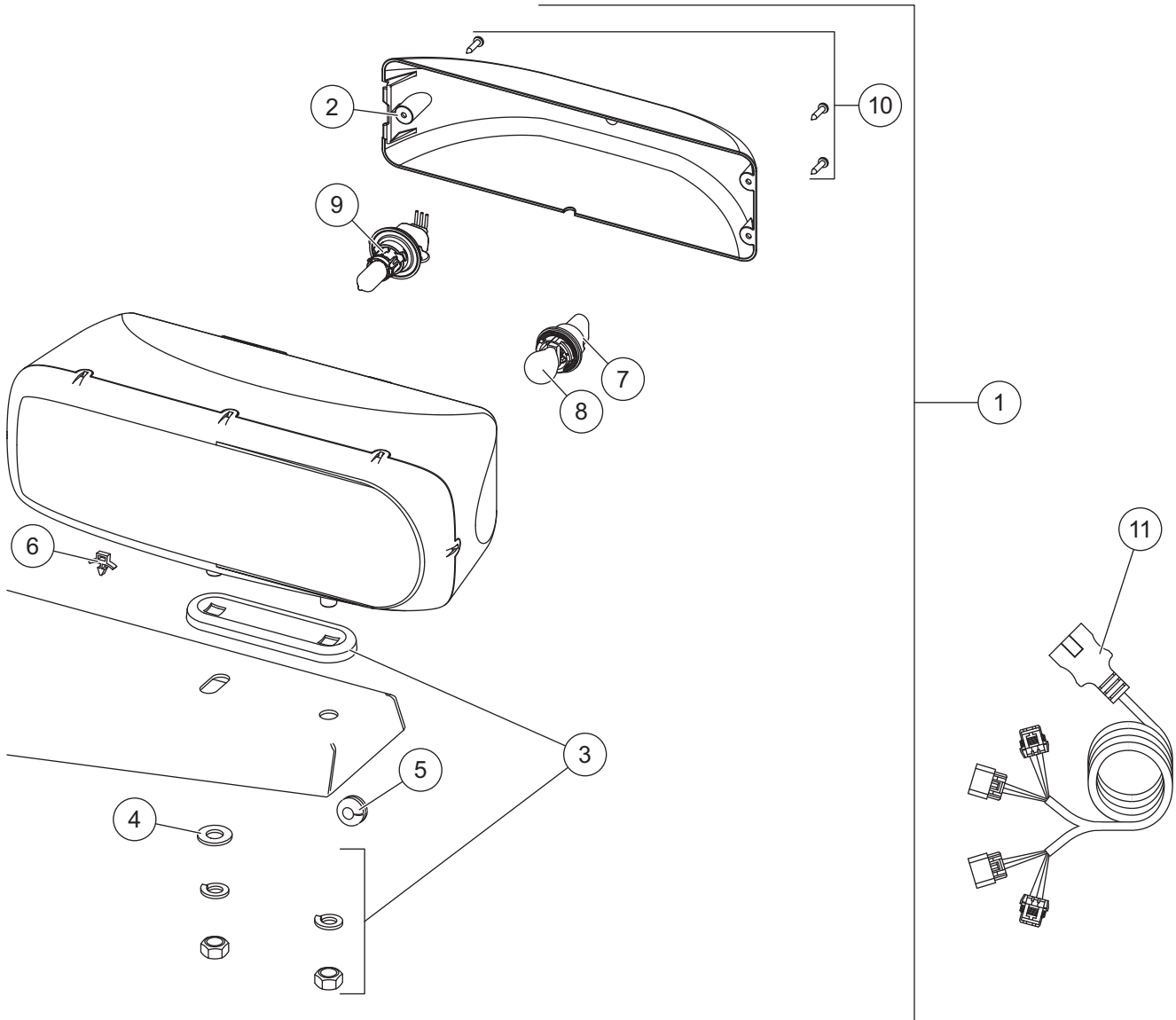
* For diagram, see Vehicle-Side Harness Diagram - 3-Port, 2-Plug System.

Vehicle-Side Harness Diagram
3-Port, 2-Plug System



PRODIGY™ CENTER ASSEMBLY 57800/57800-1/57800-3

Headlamp Kit – Halogen



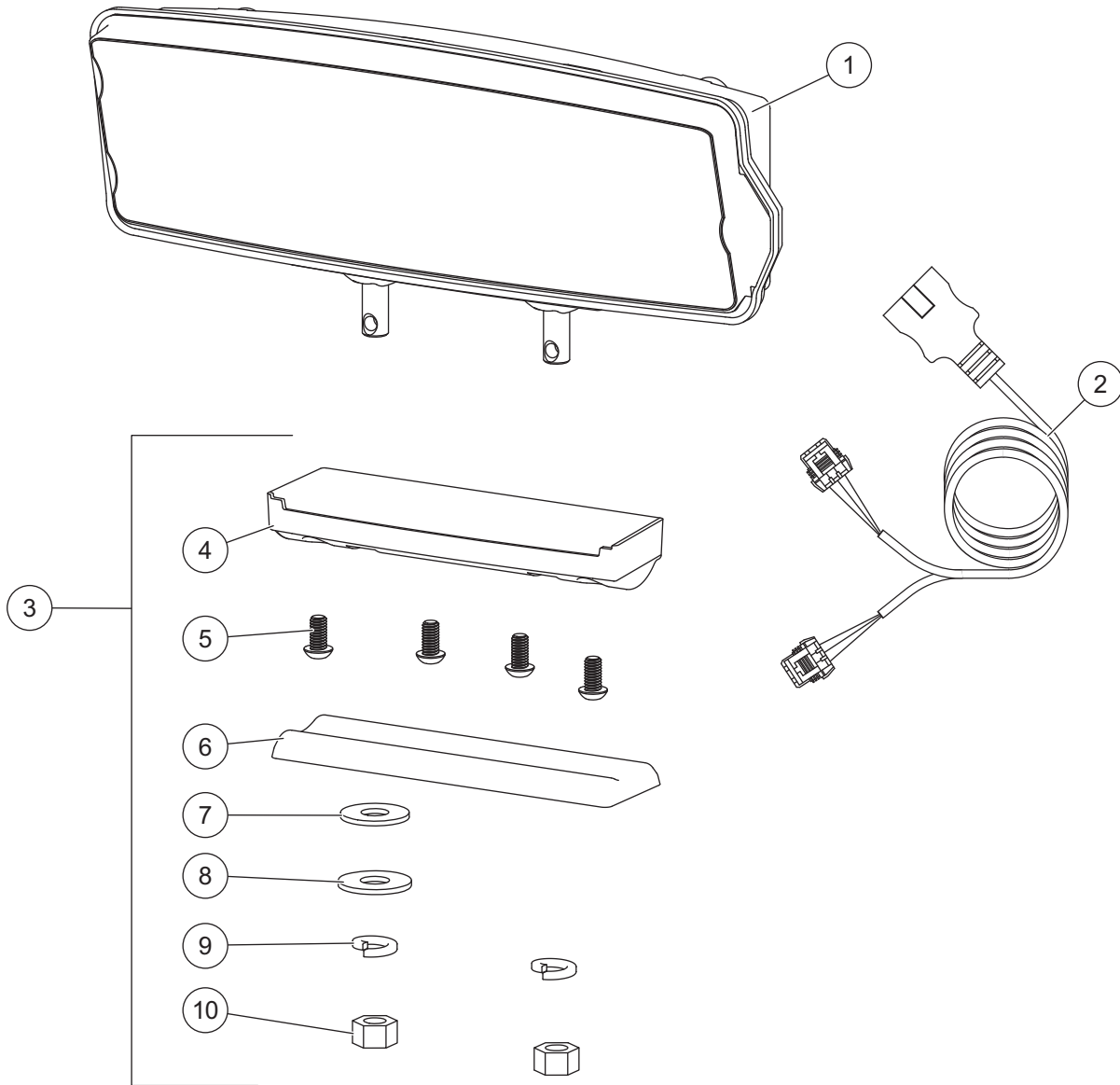
28800-1 Headlamp Kit (pair)

Item	Part	Qty	Description	Item	Part	Qty	Description
1	28801-1	1	Headlamp Service Kit – DS	6	56595	7	Cable Tie Anchor
ns	28802-1	1	Headlamp Service Kit – PS	7	28805	2	Park/Turn Socket Service Kit
2	28803-1	2	Rear Cover Kit (fits 2- or 3-screw)	8		2	Park/Turn Bulb (trade no. 4157NAK)
3	28804	2	Mounting Hardware Kit	9	28806	2	Headlamp Bulb Service Kit H13
4	91105	2	1/2 Flat Washer – Type A Wide	10	28808-1	2	Cover Screws Service Kit (pkg of 3)
5	66130	2	Rubber Grommet	11	28213W	1	Harness Service Kit

ns = not shown

PRODIGY™ CENTER ASSEMBLY 57800/57800-1/57800-3

Headlamp Kit – LED



Headlamp Kit LED							
Item	Part	Qty	Description	Item	Part	Qty	Description
1	39901	1	Headlamp Service Kit LED – DS	3	39903	1	Mounting Hardware Kit LED
ns	39902	1	Headlamp Service Kit LED – PS	ns	72512	1	LED Harness Connector Cover (pkg of 2)
2	72548	1	Harness Service Kit LED				
Item 3				39903 Mounting Hardware Kit LED			
4		1	Plastic Casing	8		1	1/2 Flat Washer
5		4	1/4 Button Cap Screw	9		2	1/2 Lock Washer
6		1	Headlamp Swivel	10		2	1/2 Hex Nut
7		1	1/2 Rubber Washer	ns		1	Metal Insert
ns = not shown							



Western Products
PO Box 245038
Milwaukee, WI 53224-9538
www.westernplows.com

 A DIVISION OF DOUGLAS DYNAMICS, LLC

Copyright © 2021 Douglas Dynamics, LLC. All rights reserved. This material may not be reproduced or copied, in whole or in part, in any printed, mechanical, electronic, film, or other distribution and storage media, without the written consent of Western Products. Authorization to photocopy items for internal or personal use by Western Products outlets or snowplow owner is granted.

Western Products reserves the right under its product improvement policy to change construction or design details and furnish equipment when so altered without reference to illustrations or specifications used. Western Products or the vehicle manufacturer may require or recommend optional equipment for snow removal. Do not exceed vehicle ratings with a snowplow. Western Products offers a limited warranty for all snowplows and accessories. See separately printed page for this important information. The following are registered (®) or unregistered (™) trademarks of Douglas Dynamics, LLC: CONTRACTOR GRADE®, PRODIGY™, SECURITY GUARD™, ULTRAFINISH™, UltraMount® 2, WESTERN®.

Printed in U.S.A.