

33949

MOUNT KIT

Ram 1500	2009–18
Ram 1500 Classic	2019–__
Ram 1500 Rebel	2016–18
Ram 1500 Rebel Classic	2019–__
Ram 1500 Classic Warlock	2019–__

Installation Instructions

▲ CAUTION

Read this document before installing the snowplow.

▲ CAUTION

See your sales outlet/website for specific vehicle application recommendations before installation. The online selection system has specific vehicle and snowplow requirements.

SAFETY DEFINITIONS

⚠ WARNING
 Indicates a potentially hazardous situation that, if not avoided, could result in death or serious personal injury.

⚠ CAUTION
 Indicates a potentially hazardous situation that, if not avoided, may result in minor or moderate injury. It may also be used to alert against unsafe practices.

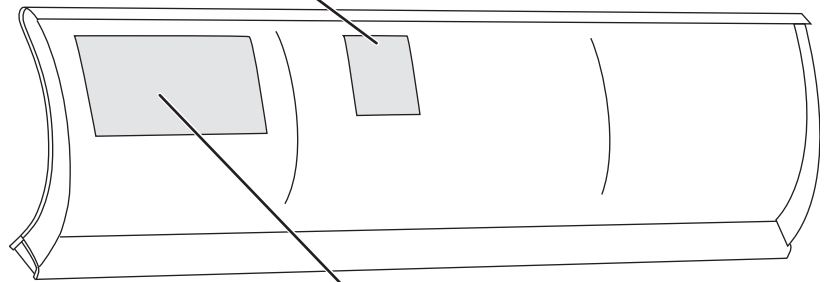
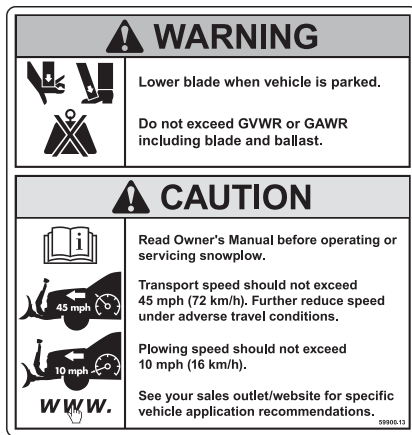
NOTE: Indicates a situation or action that can lead to damage to your snowplow and vehicle or other property. Other useful information can also be described.

WARNING/CAUTION & INSTRUCTION LABELS

Become familiar with and inform users about the warning and instruction labels on the back of the blade.

NOTE: If labels are missing or cannot be read, see your sales outlet.

Warning/Caution Label



Instruction Label

SAFETY PRECAUTIONS

Improper installation and operation could cause personal injury and/or equipment and property damage. Read and understand labels and the Owner's Manual before installing, operating, or making adjustments.

⚠ WARNING

Lower the blade when vehicle is parked. Temperature changes could change hydraulic pressure, causing the blade to drop unexpectedly or damaging hydraulic components. Failure to do this could result in serious personal injury.

⚠ WARNING

The driver shall keep bystanders clear of the blade when it is being raised, lowered, or angled. Do not stand between the vehicle and the blade or within 8 feet of a moving blade. A moving or falling blade could cause personal injury.

⚠ WARNING

Keep hands and feet clear of the blade and A-frame when mounting or removing the snowplow. Moving or falling assemblies could cause personal injury.

⚠ WARNING

Do not exceed GVWR or GAWR including the blade and ballast. The rating label is found on the driver-side vehicle door cornerpost.

⚠ WARNING

To prevent accidental movement of the blade, always turn the control OFF whenever the snowplow is not in use. The power indicator light will turn OFF.

⚠ WARNING

Remove blade assembly before placing vehicle on hoist.

⚠ CAUTION

Refer to the online selection system for minimum vehicle recommendations and ballast requirements.

PERSONAL SAFETY

- Remove ignition key and put the vehicle in PARK or in gear to prevent others from starting the vehicle during installation or service.
- Wear only snug-fitting clothing while working on your vehicle or snowplow.
- Do not wear jewelry or a necktie, and secure long hair.
- Wear safety goggles to protect your eyes from battery acid, gasoline, dirt, and dust.
- Avoid touching hot surfaces such as the engine, radiator, hoses, and exhaust pipes.
- Always have a fire extinguisher rated BC handy, for flammable liquids and electrical fires.

FIRE AND EXPLOSION

⚠ WARNING

Gasoline is highly flammable and gasoline vapor is explosive. Never smoke while working on vehicle. Keep all open flames away from gasoline tank and lines. Wipe up any spilled gasoline immediately.

Be careful when using gasoline. Do not use gasoline to clean parts. Store only in approved containers away from sources of heat or flame.

CELL PHONES

A driver's first responsibility is the safe operation of the vehicle. The most important thing you can do to prevent a crash is to avoid distractions and pay attention to the road. Wait until it is safe to operate Mobile Communication Equipment such as cell phones, text messaging devices, pagers, or two-way radios.

VENTILATION

⚠ WARNING

Vehicle exhaust contains lethal fumes. Breathing these fumes, even in low concentrations, can cause death. Never operate a vehicle in an enclosed area without venting exhaust to the outside.

NOISE

Airborne noise emission during use is below 70 dB(A) for the snowplow operator.





VIBRATION





Operating snowplow vibration does not exceed 2.5 m/s² to the hand-arm or 0.5 m/s² to the whole body.

TORQUE CHART

⚠ CAUTION

Read instructions before assembling. Fasteners should be finger tight until instructed to tighten according to the torque chart. Use standard methods and practices when attaching snowplow, including proper personal protective safety equipment.

Recommended Fastener Torque Chart					
Inch Fasteners Grade 5 and Grade 8					
Size	Torque (ft-lb)		Size	Torque (ft-lb)	
	 Grade 5	 Grade 8		 Grade 5	 Grade 8
1/4-20	8.4	11.9	9/16-12	109	154
1/4-28	9.7	13.7	9/16-18	121	171
5/16-18	17.4	24.6	5/8-11	150	212
5/16-24	19.2	27.3	5/8-18	170	240
3/8-16	30.8	43.6	3/4-10	269	376
3/8-24	35.0	49.4	3/4-16	297	420
7/16-14	49.4	69.8	7/8-9	429	606
7/16-20	55.2	77.9	7/8-14	474	669
1/2-13	75.3	106.4	1-8	644	909
1/2-20	85.0	120.0	1-12	704	995

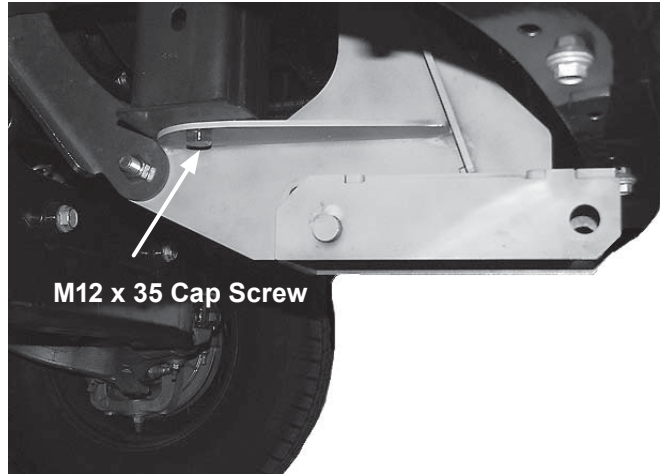
Metric Fasteners Class 8.8 and 10.9					
Size	Torque (ft-lb)		Size	Torque (ft-lb)	
	 Class 8.8	 Class 10.9		 Class 8.8	 Class 10.9
M6 x 1.00	7.7	11.1	M20 x 2.50	325	450
M8 x 1.25	19.5	26.9	M22 x 2.50	428	613
M10 x 1.50	38.5	53.3	M24 x 3.00	562	778
M12 x 1.75	67	93	M27 x 3.00	796	1139
M14 x 2.00	107	148	M30 x 3.50	1117	1545
M16 x 2.00	167	231	M33 x 3.50	1468	2101
M18 x 2.50	222	318	M36 x 4.00	1952	2701

These torque values apply to fasteners except those noted in the instructions.

INSTALLATION INSTRUCTIONS

NOTE: For easier assembly and installation, vehicle and all snowplow components should be on a smooth, level, hard surface, such as concrete.

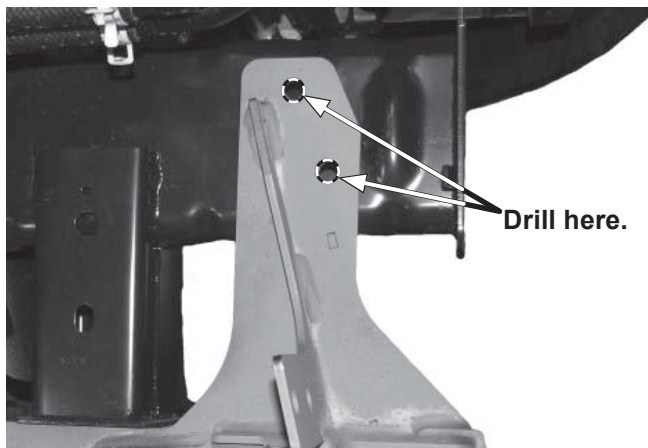
1. Remove the bumper.
2. Remove the tow hooks if equipped. Retain the fasteners. Save the tow hooks for reinstallation if the mounts are removed in the future.
3. Place the passenger-side mount up against the frame. Insert an M12 x 35 cap screw up through the mount hole, into the truck frame, and hand tighten.



⚠ CAUTION

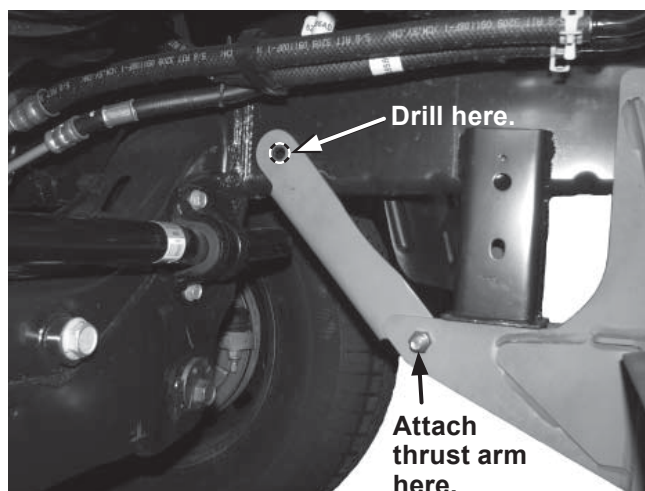
Use caution not to pinch, cut, or drill through any wires or hoses running along the frame rails.

4. Push the mount against the truck frame. Make sure that the stiffener is pressed tight against the frame. Using the holes on the mount as a guide, drill two 17/32" holes through the frame.

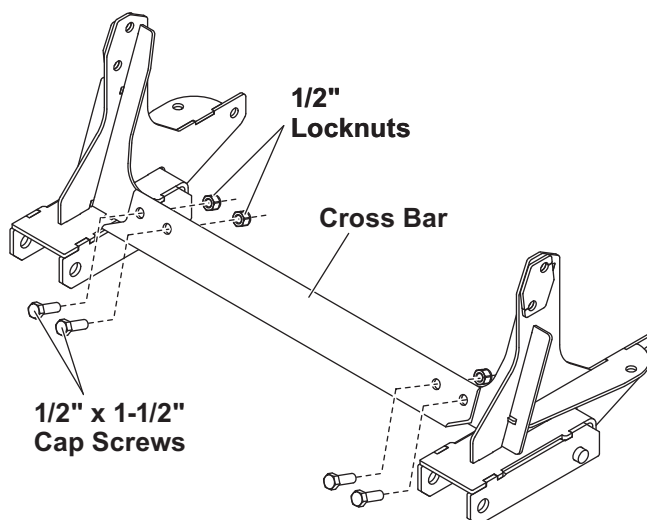


5. Add 1/2" flat washers to two 1/2" x 1-1/2" cap screws. Insert the cap screws with washers through the truck frame holes that were drilled in Step 4, then through the mount. Attach a 1/2" locknut to each cap screw and hand tighten.
6. Attach the thrust arm to the outside of the mount using a 1/2" x 1-1/2" cap screw and 1/2" locknut. Hand tighten the fastener.

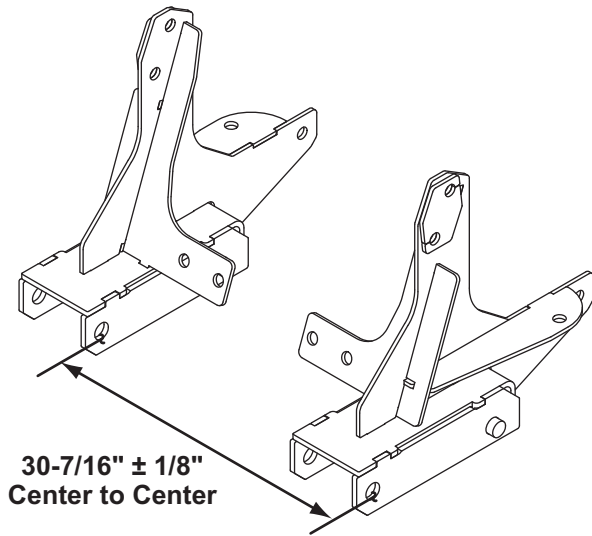
7. Rotate the thrust arm up until it hits the truck frame. Using the hole in the thrust arm as a guide, drill a 17/32" hole through the frame.



8. Add a 1/2" washer to the 1/2" x 1-1/2" cap screw with handle. Insert the cap screw through the drilled hole and the thrust arm hole. Attach a 1/2" locknut and hand tighten.
9. Repeat Steps 3–8 for the driver's side.
10. Install the cross bar using four 1/2" x 1-1/2" cap screws and 1/2" locknuts as shown below. Hand tighten fasteners.



11. Make sure that the mounts are tight against the truck frame. Then, fully tighten the fasteners securing the mounts, followed by the fasteners securing the cross bar, according to the torque chart. When the cap screw with handle is tightened, make sure that the handle is rotated so that it is tight against the frame.
12. Check for a U-bracket distance of $30\text{-}7/16" \pm 1/8"$. Take a second measurement farther back on the mounts to ensure that they are parallel. If the U-bracket distance is not within $30\text{-}7/16" \pm 1/8"$, then $1/2"$ flat washers may be used to shim one or both mounts in the appropriate direction to obtain the desired dimension.



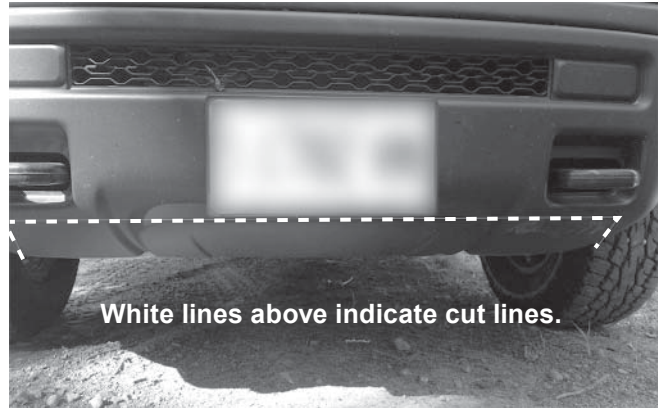
⚠ CAUTION

Use caution not to pinch, cut or drill through any wires or hoses running along the frame rails.

13. Trim the bumper. (For non-Rebel or Warlock models, continue to next page.)

Ram 1500 Rebel and Warlock models only:

- a. Modify the steel skid pan. Cut out a section large enough to accommodate electrical connections, as shown below.

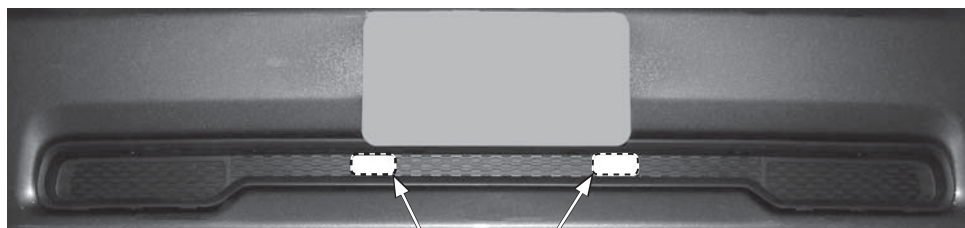


- b. Sand and paint sharp edges or add a strip of edge trim to prevent rust.

NOTE: After five to ten hours of snowplow usage, retorque all mount assembly fasteners.

Non-Rebel or Warlock models:

- a. Remove the air dam from the bumper.
- b. Modify the plastic bumper insert for placement of the electrical connections. Cut the holes in the insert large enough for the electrical connector to fit through. One option for the insert modification is shown below.



Cut holes in bumper insert for electrical connections.

- c. Reattach the bumper.
- d. Modify the air dam as shown below. Reattach the air dam to the bumper.



- e. Use cable ties to strap the loose portion of the air dam to the cross bar.

NOTE: After five to ten hours of snowplow usage, retorque all mount assembly fasteners.

The company reserves the right under its product improvement policy to change construction or design details and furnish equipment when so altered without reference to illustrations or specifications used. This equipment manufacturer or the vehicle manufacturer may require or recommend optional equipment for snow removal. Do not exceed vehicle ratings with a snowplow. The company offers a limited warranty for all snowplows and accessories. See separately printed page for this important information.

Printed in U.S.A.
