



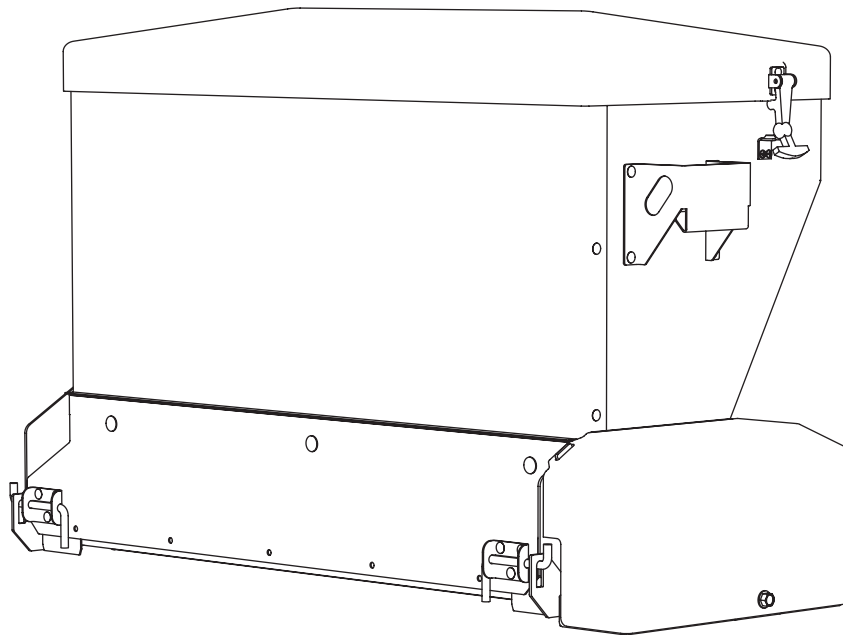
Hopper and Drive Components

Drop™ 250 & Drop™ 600 Drop Spreaders

2.5 ft³ & 6.0 ft³

87530, 87630

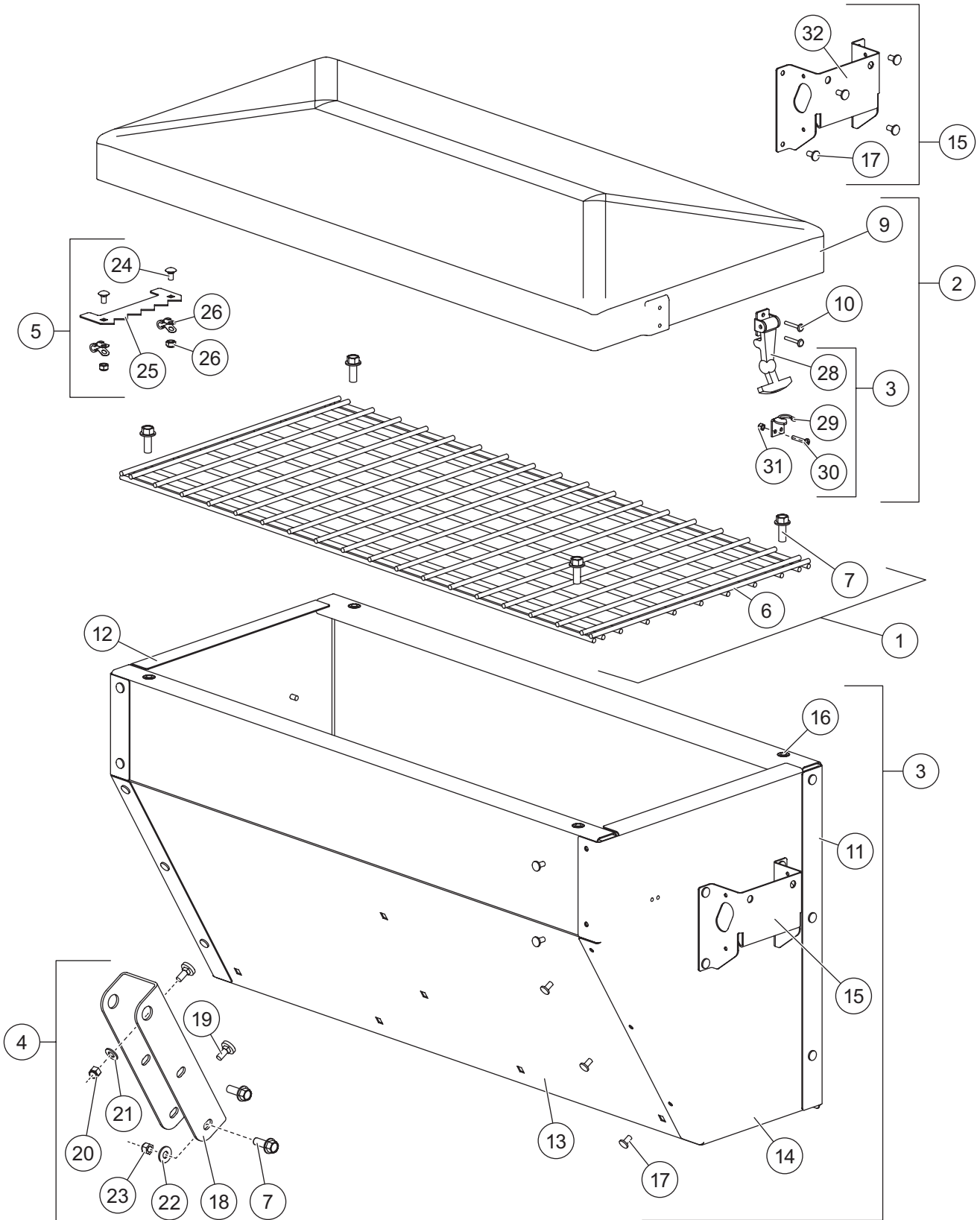
Parts List



This Parts List is for WESTERN® Drop 250 and 600 drop spreaders with serial numbers beginning with 210101 and higher.

Drop™ 250 & 600 DROP SPREADERS

HOPPER ASSEMBLY

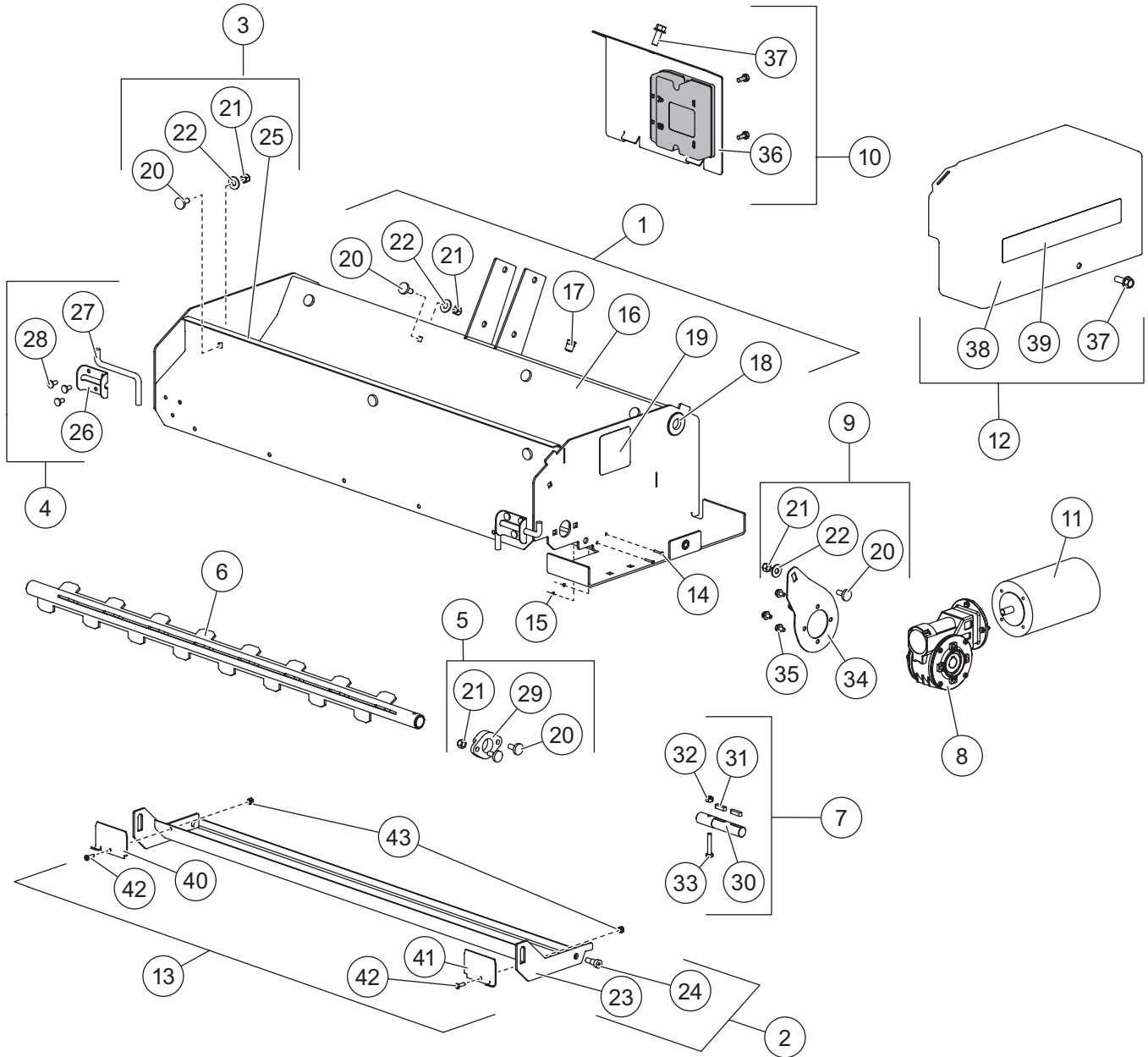


Drop™ 250 & 600 DROP SPREADERS

| Hopper & Frame Assembly | | | | | | | |
|-------------------------|-------|----------------|-----------------------------------|----------------------------------|-------|----------------------|--------------------------------|
| Item | Part | Qty | Description | Item | Part | Qty | Description |
| 1 | 91840 | 1 | Top Screen Kit, 250 | 3 | 91975 | 1 | Hopper Kit, 250 |
| | 91970 | 1 | Top Screen Kit, 600 | | 91980 | 1 | Hopper Kit, 600 |
| 2 | 91845 | 1 | Lid Kit, 250 | 4 | 91875 | 1 | Upper Hitch Kit |
| | 91855 | 1 | Lid Kit, 600 | 5 | 91880 | 1 | Bag Splitter Kit |
| Item 1 | | | | 91840 Top Screen Kit, 250 | | | |
| 6 | 91688 | 1 | Top Screen | 7 | | 4 | 3/8-16 x 1 Hex Cap Screw SS |
| Item 1 | | | | 91970 Top Screen Kit, 600 | | | |
| 6 | 91871 | 1 | Top Screen | 7 | | 4 | 3/8-16 x 1 Hex Cap Screw SS |
| Item 2 | | | | 91845 Lid Kit, 250 | | | |
| 8 | P3045 | 1 | Latch Kit | 10 | | 4 | 3/16 Pop Rivet |
| 9 | | 1 | Lid | | | | |
| Item 2 | | | | 91855 Lid Kit, 600 | | | |
| 8 | P3045 | 1 | Latch Kit | 10 | | 4 | 3/16 Pop Rivet |
| 9 | | 1 | Lid | | | | |
| Item 3 | | | | 91975 Hopper Kit, 250 | | | |
| 11 | | 1 | Rear Side, 2.5 ft ³ | 15 | | 2 | Handle Kit |
| 12 | | 1 | End Cap, 2.5 ft ³ – PS | 16 | | 4 | 3/8-16 Hex Rivnut |
| 13 | | 1 | Front Side, 2.5 ft ³ | 17 | | 16 | 1/4 Rivet SS |
| 14 | | 1 | End Cap, 2.5 ft ³ – DS | ns | | 1 | Label – Logo, WESTERN® SS |
| Item 3 | | | | 91980 Hopper Kit, 600 | | | |
| 11 | | 1 | Rear Side, 6 ft ³ | 15 | | 2 | Handle Kit |
| 12 | | 1 | End Cap, 6 ft ³ – PS | 16 | | 4 | 3/8-16 Hex Rivnut |
| 13 | | 1 | Front Side, 6 ft ³ | 17 | | 22 | 1/4 Rivet SS |
| 14 | | 1 | End Cap, 6 ft ³ – DS | ns | | 1 | Label – Logo, WESTERN SS |
| Item 4 | | | | 91875 Upper Hitch Kit | | | |
| 7 | | 4 | 3/8-16 x 1 Hex Cap Screw SS | 21 | | 2 | 5/16 Flat Washer Type A Narrow |
| 18 | | 1 | 3-Point Hitchpoint | 22 | | 4 | 3/8 Flat Washer Type A Wide SS |
| 19 | | 2 | 5/16-18 x 3/4 Carriage Bolt SS | 23 | | 4 | 3/8-16 Hex Locknut GB |
| 20 | | 2 | 5/16-18 Hex Locknut GB | | | | |
| Item 5 | | | | 91880 Bag Splitter Kit | | | |
| 24 | | 2 | 1/4-20 x 1/2 Carriage Bolt SS | 26 | | 2 | Clamp, 5/16 Rubber Coated |
| 25 | | 1 | Bag Splitter | 27 | | 2 | 1/4-20 Hex Locknut GB |
| Item 8 | | | | P3045 Latch Kit | | | |
| 28 | 95591 | 2 | Latch | 30 | | 8 | #10-32 x 5/8 Machine Screw SS |
| 29 | 95590 | 2 | Keeper | 31 | | 8 | #10-32 Hex Locknut SS |
| Item 15 | | | | 91870 Handle Kit | | | |
| 17 | | 4 | 1/4 Rivet SS | 32 | | 1 | Handle |
| | | ns = not shown | | | | G = Grade | |
| | | | | | | SS = Stainless Steel | |

Drop™ 250 & 600 DROP SPREADERS

FRAME & DRIVE ASSEMBLY

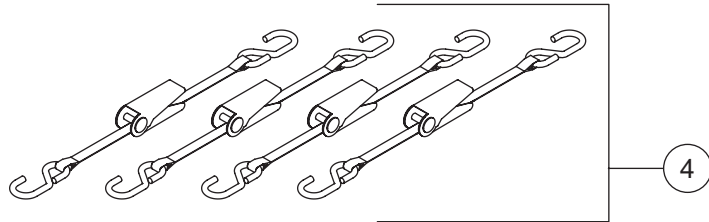
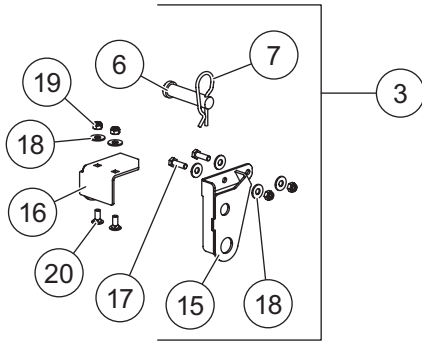
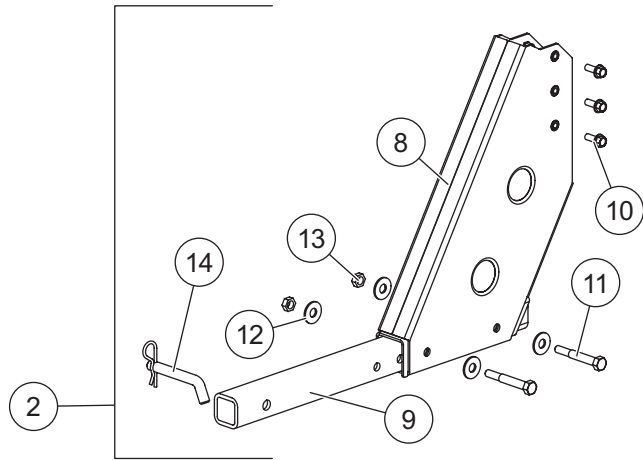
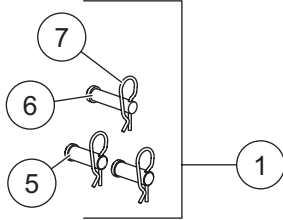


Drop™ 250 & 600 DROP SPREADERS

| Frame and Drive Assembly | | | | | | | |
|--------------------------|--------|-----------|---------------------------------|--------------------------------------|-------|------------|---|
| Item | Part | Qty | Description | Item | Part | Qty | Description |
| 1 | 91885 | 1 | Frame Kit | 10 | 91925 | 1 | Electrical Cover Kit |
| 2 | 91890 | 1 | Drop Trough Kit | 11 | 79950 | 1 | Motor Kit |
| 3 | 91895 | 1 | Flap Agitator Kit | 12 | 91930 | 1 | Motor Cover Kit |
| 4 | 91905 | 2 | Locking Pin Kit | 13 | 91935 | 1 | Spread Width Baffle Kit |
| 5 | 91910 | 2 | Poly Bearing Kit | ns | 78980 | 1 | Switch Assembly w/Connector |
| 6 | 91940 | 1 | Paddle Auger Frame | 14 | 68858 | 2 | #4-40 x 3/4 Hex Socket Button-Head Cap Screw |
| 7 | 91915 | 1 | Drive Shaft Kit | 15 | 68859 | 2 | #4-40 Hex Locknut GB SS |
| 8 | F50582 | 1 | Gear Box | | | | |
| 9 | 91920 | 1 | Torque Arm Kit | | | | |
| Item 1 | | | | 91885 Frame Kit | | | |
| 16 | | 1 | Frame | 22 | | 4 | 5/16 Flat Washer Type A Narrow |
| 17 | | 2 | 3/8-16 Hex Rivnut | ns | 29593 | 1 | Label – Warning, Multiple Pinch Points |
| 18 | 91945 | 1 | Grommet Kit | ns | 68584 | 1 | Label – Warning/Caution, Spreaders |
| 19 | 75126 | 1 | Label – Warning, Rotating Parts | ns | 11100 | 1 | Label – Warning, Rear Camera |
| 20 | | 4 | 5/16-18 x 3/4 Carriage Bolt SS | | | | |
| 21 | | 4 | 5/16-18 Hex Locknut GB | | | | |
| Item 2 | | | | 91890 Drop Trough Kit | | | |
| 23 | | 1 | Trough | 24 | | 2 | Shoulder Bolt |
| Item 3 | | | | 91895 Flap Agitator Kit | | | |
| 20 | | 3 | 5/16-18 x 3/4 Carriage Bolt SS | 22 | | 3 | 5/16 Flat Washer Type A Narrow |
| 21 | | 3 | 5/16-18 Hex Locknut GB | 25 | | 1 | Flap Agitator |
| Item 4 | | | | 91905 Locking Pin Kit | | | |
| 26 | | 1 | Locking Pin | 28 | | 3 | 1/4 Rivet |
| 27 | | 1 | Pin Keeper | | | | |
| Item 5 | | | | 91910 Poly Bearing Kit | | | |
| 20 | | 2 | 5/16-18 x 3/4 Carriage Bolt SS | 29 | | 1 | Paddle Bearing |
| 21 | | 2 | 5/16-18 Hex Locknut GB | | | | |
| Item 7 | | | | 91915 Drive Shaft Kit | | | |
| 30 | | 1 | Auger Drive Shaft | 32 | | 1 | 1/4-20 Hex Locknut GB |
| 31 | | 2 | Key | 33 | | 1 | 1/4-20 x 1-1/2 Hex Cap Screw SS |
| Item 9 | | | | 91920 Torque Arm Kit | | | |
| 20 | | 1 | 5/16-18 x 3/4 Carriage Bolt SS | 34 | | 1 | Motor Plate |
| 21 | | 1 | 5/16-18 Hex Locknut GB | 35 | | 4 | M6 x 1.00 10 mm Flanged Hex Cap Screw G10.9 |
| 22 | | 1 | 5/16 Flat Washer Type A Narrow | | | | |
| Item 10 | | | | 91925 Electrical Cover Kit | | | |
| 36 | | 1 | Electrical Cover | 37 | | 1 | 3/8-16 x 1 Hex Cap Screw SS |
| Item 12 | | | | 91930 Motor Cover Kit | | | |
| 37 | | 1 | 3/8-16 x 1 Hex Cap Screw SS | 39 | 68584 | 1 | Label – Warning/Caution, Spreaders |
| 38 | | 1 | Motor Cover | | | | |
| Item 13 | | | | 91935 Spread Width Baffle Kit | | | |
| 40 | | 1 | Shutter Plate, DS | 42 | | 2 | #10-32 x 5/8 Machine Screw SS |
| 41 | | 1 | Shutter Plate, PS | 43 | | 2 | #10-32 Hex Locknut SS |
| ns = not shown | | G = Grade | | SS = Stainless Steel | | M = Metric | |

Drop™ 250 & 600 DROP SPREADERS

MOUNT ASSEMBLIES

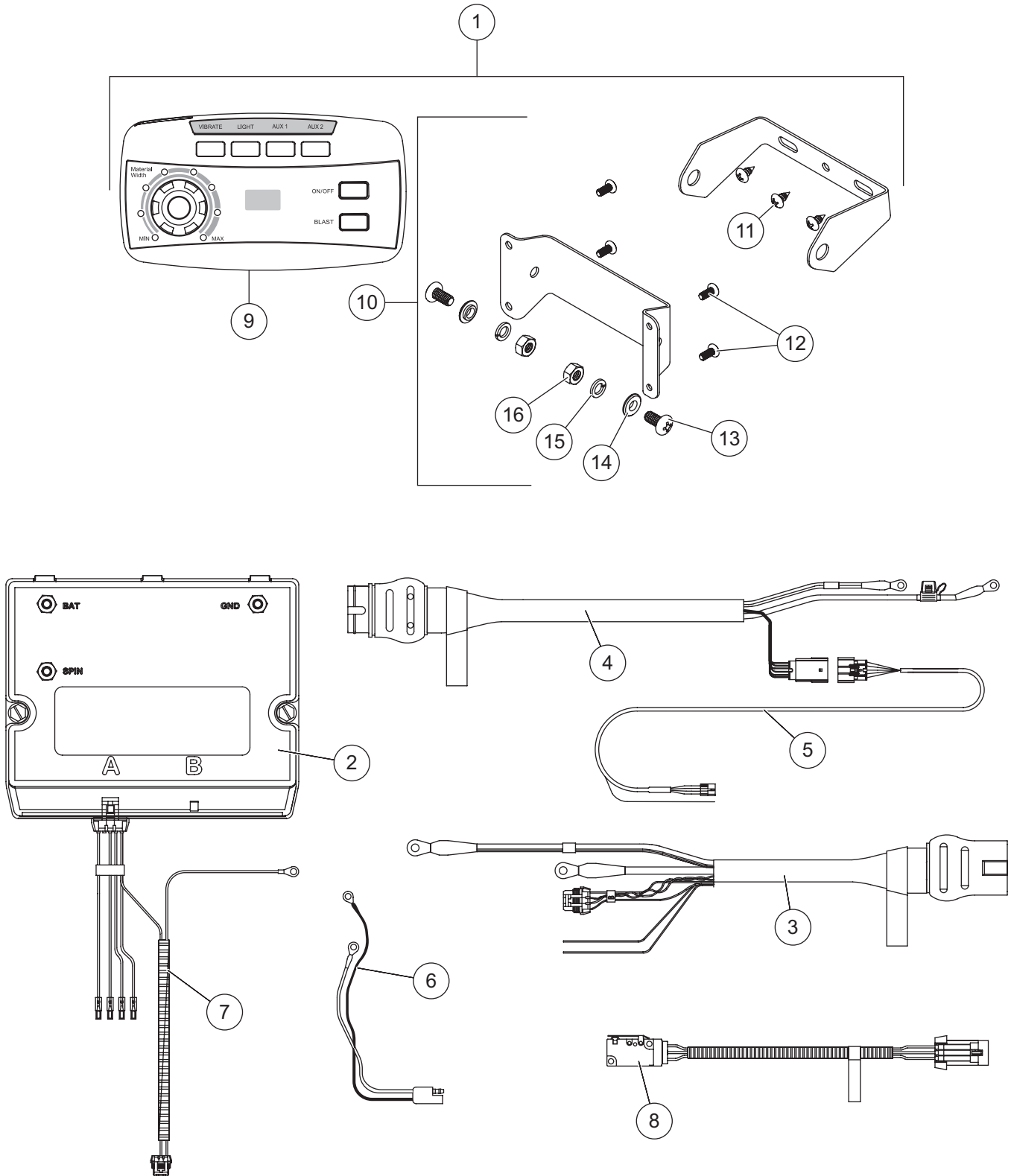


Drop™ 250 & 600 DROP SPREADERS

| Mount Assemblies | | | | | | | | |
|------------------|-------|-----|--|---------------------------------|--------|-----|------------------------------------|----------------|
| Item | Part | Qty | Description | Item | Part | Qty | Description | |
| 1 | 91960 | 1 | Tractor Mount Pins | 3 | 91950 | 1 | Bed Mount Kit | |
| 2 | 91955 | 1 | Receiver Mount Kit | 4 | D6503 | 1 | Ratchet Strap, 1" x 12' (pkg of 4) | |
| Item 1 | | | | 91960 Tractor Mount Pins | | | | |
| 5 | 91876 | 2 | 7/8 x 2-1/2 Clevis Pin | 7 | | 3 | 5/32 Hairpin Cotter | |
| 6 | 93063 | 1 | 3/4 x 3-1/4 Clevis Pin | | | | | |
| Item 2 | | | | 91955 Receiver Mount Kit | | | | |
| 8 | | 1 | Riser | 12 | | 4 | 1/2 Plain Washer Type A | |
| 9 | | 1 | Receiver Tube | 13 | | 2 | 1/2-13 Stover Nut GC | |
| 10 | | 6 | 3/8-16 x 1 Serrated Flange Hex Cap Screw SS | 14 | T15043 | 1 | Hitch Pin | |
| 11 | | 2 | 1/2-13 x 3-1/2 Hex Cap Screw G5 | ns | 30687 | 1 | Threadlocker, Medium Strength | |
| Item 3 | | | | 91950 Bed Mount Kit | | | | |
| 6 | 93063 | 1 | 3/4 x 3-1/4 Clevis Pin | 17 | | 2 | 5/16-18 x 1 Hex Cap Screw SS | |
| 7 | | 1 | 5/32 Hairpin Cotter | 18 | | 6 | 5/16 Flat Washer Type A Narrow | |
| 15 | | 1 | Bed Stop Bracket, DS | 19 | | 4 | 5/16-18 Hex Locknut GB | |
| 16 | | 1 | Bed Stop Bracket, PS | 20 | | 2 | 5/16-18 x 3/4 Carriage Bolt SS | |
| | | | G = Grade | | | | SS = Stainless Steel | ns = not shown |

Drop™ 250 & 600 DROP SPREADERS

ELECTRICAL COMPONENTS



Drop™ 250 & 600 DROP SPREADERS

| Electrical Components | | | | | | | |
|-----------------------|-------|-----|---|-----------------------------------|-------|-----|--------------------------------------|
| Item | Part | Qty | Description | Item | Part | Qty | Description |
| 1 | 52466 | 1 | Spreader Control Kit | 6 | 78399 | 1 | Spinner Motor Harness Rev Pin-Out |
| 2 | 52355 | 1 | Spreader Module, 3-Post | | | | |
| 3 | 72092 | 1 | Spreader Harness, 7-Pin | 7 | 78978 | 1 | Connector w/5 Wires, 10-Pin |
| 4 | 74978 | 1 | Vehicle Harness, 7-Pin | 8 | 78980 | 1 | Switch Assembly |
| 5 | 69902 | 1 | Vehicle Control Harness | | | | |
| Item 1 | | | | 52466 Spreader Control Kit | | | |
| 9 | 52467 | 1 | Spreader Control | 10 | 52345 | 1 | Control Bracket Kit |
| Item 10 | | | | 52345 Control Bracket Kit | | | |
| 11 | | 3 | #10 x 3/8 Pan Head Tapping Screw SS | 14 | | 2 | 1/4 Shoulder Washer SS – Black |
| 12 | | 4 | #8 x 3/8 Pan Head Machine Screw | 15 | | 2 | 1/4 Lock Washer SS |
| 13 | | 2 | 1/4-20 x 1/2 Pan Head Machine Screw SS – Black | 16 | | 2 | 1/4-20 Hex Nut G5 – Black |
| SS = Stainless Steel | | | | G = Grade | | | |



Western Products
PO Box 245038
Milwaukee, WI 53224-9538
www.westernplows.com

 A DIVISION OF DOUGLAS DYNAMICS, LLC

Copyright © 2022 Douglas Dynamics, LLC. All rights reserved. This material may not be reproduced or copied, in whole or in part, in any printed, mechanical, electronic, film, or other distribution and storage media, without the written consent of Western Products. Authorization to photocopy items for internal or personal use by Western Products outlets or spreader owner is granted.

Western Products reserves the right under its product improvement policy to change construction or design details and furnish equipment when so altered without reference to illustrations or specifications used. Western Products or the vehicle manufacturer may require or recommend optional equipment for spreaders. Do not exceed vehicle ratings with a spreader. Western Products offers a limited warranty for all spreaders and accessories. See separately printed page for this important information. The following are registered (®) or unregistered (™) trademarks of Douglas Dynamics, LLC: Drop™, WESTERN®.

Printed in U.S.A.