



6' UTV Straight Blade & 6' UTV V-Plow Snowplows

Installation Instructions

▲ CAUTION

Read this document before installing the snowplow.

▲ CAUTION

See your WESTERN® outlet/website for specific vehicle application recommendations before installation. The Quick Match selection system has specific vehicle and snowplow requirements.

SAFETY

SAFETY DEFINITIONS

WARNING

Indicates a potentially hazardous situation that, if not avoided, could result in death or serious personal injury.

CAUTION

Indicates a potentially hazardous situation that, if not avoided, may result in minor or moderate injury. It may also be used to alert against unsafe practices.

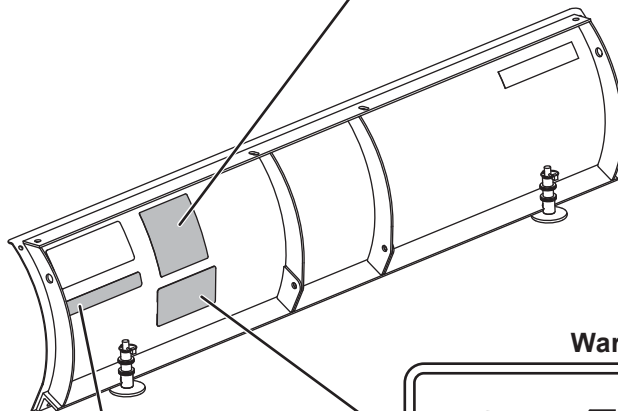
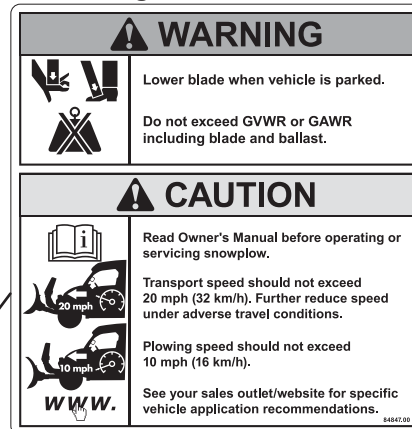
NOTE: Indicates a situation or action that can lead to damage to your snowplow and vehicle or other property. Other useful information can also be described.

WARNING/CAUTION AND INSTRUCTION LABELS

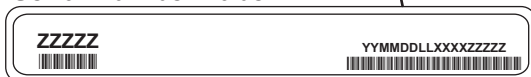
Become familiar with and inform users about the warning/caution and instruction labels on the back of the blade.

NOTE: If labels are missing or cannot be read, see your sales outlet.

Warning and Caution Label

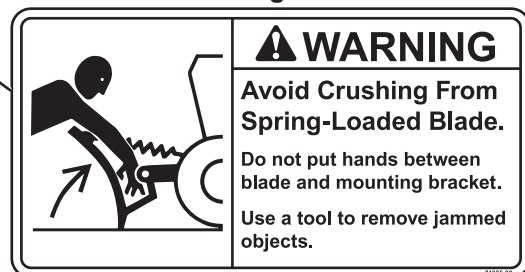


Serial Number Label



Serial No. Code	Definition
YY	2-Digit Year
MM	2-Digit Month
DD	2-Digit Day
LL	2-Digit Location Code
XXXX	4-Digit Sequential Number
ZZZZZZ	5- to 7-Digit Blade Assembly PN

Warning Label



SAFETY

SAFETY DEFINITIONS

WARNING

Indicates a potentially hazardous situation that, if not avoided, could result in death or serious personal injury.

CAUTION

Indicates a potentially hazardous situation that, if not avoided, may result in minor or moderate injury. It may also be used to alert against unsafe practices.

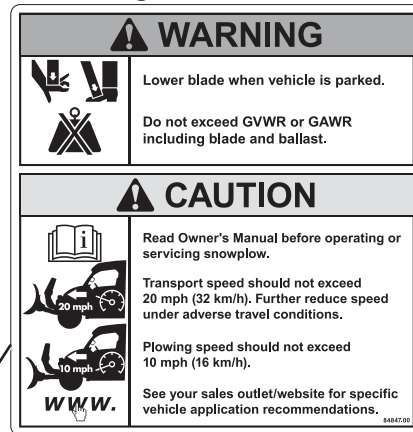
NOTE: Indicates a situation or action that can lead to damage to your snowplow and vehicle or other property. Other useful information can also be described.

WARNING/CAUTION AND INSTRUCTION LABELS

Become familiar with and inform users about the warning/caution and instruction labels on the back of the blade.

NOTE: If labels are missing or cannot be read, see your sales outlet.

Warning and Caution Label

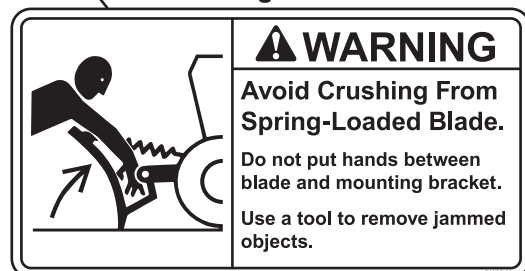


Serial Number Label



Serial No. Code	Definition
YY	2-Digit Year
MM	2-Digit Month
DD	2-Digit Day
LL	2-Digit Location Code
XXXX	4-Digit Sequential Number
ZZZZZ	5- to 7-Digit Blade Assembly PN

Warning Label



SAFETY

SAFETY PRECAUTIONS

Improper installation and operation could cause personal injury and/or equipment and property damage. Read and understand labels and the Owner's Manual before installing, operating, or making adjustments.

⚠ WARNING

Lower the blade when vehicle is parked. Temperature changes could change hydraulic pressure, causing the blade to drop unexpectedly or damaging hydraulic components. Failure to do this could result in serious personal injury.

⚠ WARNING

The driver shall keep bystanders clear of the blade when it is being raised, lowered, or angled. Do not stand between vehicle and blade or within 8 feet of a moving blade. A moving or falling blade could cause personal injury.

⚠ WARNING

Keep hands and feet clear of the blade and frame when mounting or removing the snowplow. Moving or falling assemblies could cause personal injury.

⚠ WARNING

Do not exceed GVWR or GAWR including blade and ballast.

⚠ WARNING

To prevent accidental movement of the blade, always turn the control OFF whenever the snowplow is not in use. The power indicator light will turn OFF.

⚠ WARNING

Remove blade assembly before placing vehicle on hoist.

⚠ CAUTION

Refer to the current Quick Match selection system for minimum vehicle recommendations and ballast requirements.

HYDRAULIC SAFETY

⚠ WARNING

Hydraulic fluid under pressure can cause skin injection injury. If you are injured by hydraulic fluid, get medical attention immediately.

- Always inspect hydraulic components and hoses before using. Replace any damaged or worn parts immediately.
- If you suspect a hose leak, DO NOT use your hand to locate it. Use a piece of cardboard or wood.

FUSES

The WESTERN® electrical and hydraulic systems contain several blade-style automotive fuses. If a problem should occur and fuse replacement is necessary, the replacement fuse must be of the same type and amperage rating as the original. Installing a fuse with a higher rating can damage the system and could start a fire. Fuse Replacement, including fuse ratings and locations, is located in the Maintenance section of the Owner's Manual.

PERSONAL SAFETY

- Remove ignition key and put the vehicle in PARK or in gear to prevent others from starting the vehicle during installation or service.
- Wear only snug-fitting clothing while working on your vehicle or snowplow.
- Do not wear jewelry or a necktie, and secure long hair.
- Wear safety goggles to protect your eyes from battery acid, gasoline, dirt, and dust.
- Avoid touching hot surfaces such as the engine, radiator, hoses, and exhaust pipes.
- Always have a fire extinguisher rated BC handy, for flammable liquids and electrical fires.

SAFETY

FIRE AND EXPLOSION

⚠ WARNING

Gasoline is highly flammable and gasoline vapor is explosive. Never smoke while working on vehicle. Keep all open flames away from gasoline tank and lines. Wipe up any spilled gasoline immediately.

Be careful when using gasoline. Do not use gasoline to clean parts. Store only in approved containers away from sources of heat or flame.

CELL PHONES

A driver's first responsibility is the safe operation of the vehicle. The most important thing you can do to prevent a crash is to avoid distractions and pay attention to the road. Wait until it is safe to operate mobile communication equipment such as cell phones, text messaging devices, pagers, or two-way radios.

VENTILATION

⚠ WARNING

Vehicle exhaust contains lethal fumes. Breathing these fumes, even in low concentrations, can cause death. Never operate a vehicle in an enclosed area without venting exhaust to the outside.

BATTERY SAFETY

⚠ CAUTION

Batteries normally produce explosive gases, which can cause personal injury. Therefore, do not allow flames, sparks, or lit tobacco to come near the battery. When charging or working near a battery, always cover your face and protect your eyes, and also provide ventilation.

- **Batteries contain sulfuric acid, which burns skin, eyes, and clothing.**
- **Disconnect the battery before removing or replacing any electrical components.**

NOISE

Airborne noise emission during use is below 70 dB(A) for the snowplow operator.









VIBRATION

Operating snowplow vibration does not exceed 2.5 m/s² to the hand-arm or 0.5 m/s² to the whole body.

TORQUE CHART

⚠ CAUTION

Read instructions before assembling. Fasteners should be finger tight until instructed to tighten according to torque chart. Use standard methods and practices when attaching snowplow, including proper personal protective safety equipment.

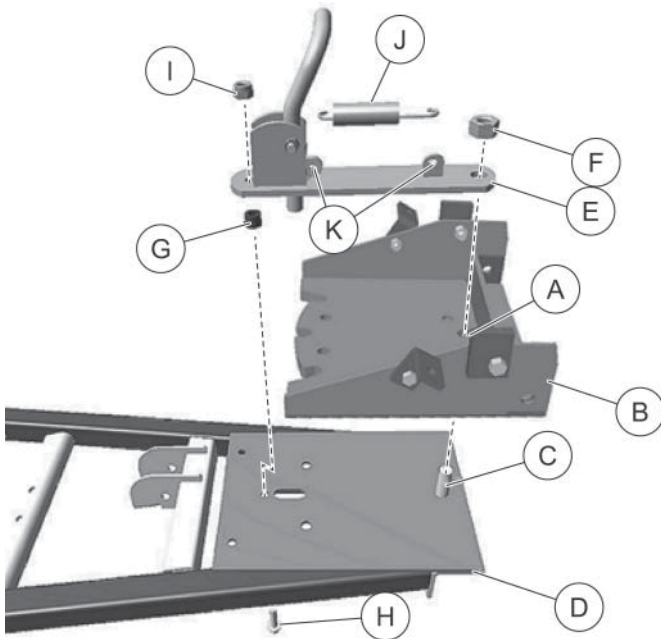
Recommended Fastener Torque Chart					
Inch Fasteners Grade 5 and Grade 8					
Size	Torque (ft-lb)		Size	Torque (ft-lb)	
	 Grade 5	 Grade 8		 Grade 5	 Grade 8
1/4-20	8.4	11.9	9/16-12	109	154
1/4-28	9.7	13.7	9/16-18	121	171
5/16-18	17.4	24.6	5/8-11	150	212
5/16-24	19.2	27.3	5/8-18	170	240
3/8-16	30.8	43.6	3/4-10	269	376
3/8-24	35.0	49.4	3/4-16	297	420
7/16-14	49.4	69.8	7/8-9	429	606
7/16-20	55.2	77.9	7/8-14	474	669
1/2-13	75.3	106.4	1-8	644	909
1/2-20	85.0	120.0	1-12	704	995
Metric Fasteners Class 8.8 and 10.9					
Size	Torque (ft-lb)		Size	Torque (ft-lb)	
	 Class 8.8	 Class 10.9		 Class 8.8	 Class 10.9
M6 x 1.00	7.7	11.1	M20 x 2.50	325	450
M8 x 1.25	19.5	26.9	M22 x 2.50	428	613
M10 x 1.50	38.5	53.3	M24 x 3.00	562	778
M12 x 1.75	67	93	M27 x 3.00	796	1139
M14 x 2.00	107	148	M30 x 3.50	1117	1545
M16 x 2.00	167	231	M33 x 3.50	1468	2101
M18 x 2.50	222	318	M36 x 4.00	1952	2701
These torque values apply to fasteners except those noted in the instructions.					

INSTALLATION INSTRUCTIONS

ATTACH BLADE TO FRAME

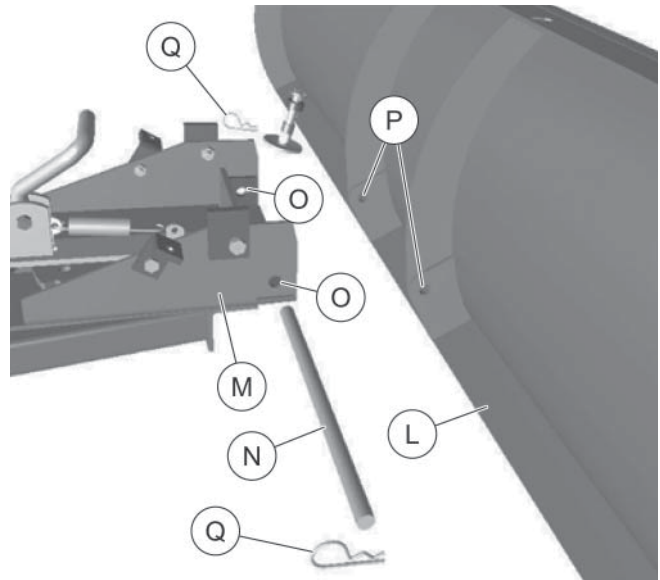
Straight Blade

1. Align the front hole (A) in the skid bracket (B) with the bolt (C) welded to the bottom of the implement frame (D) and lower the skid bracket down onto the bolt.

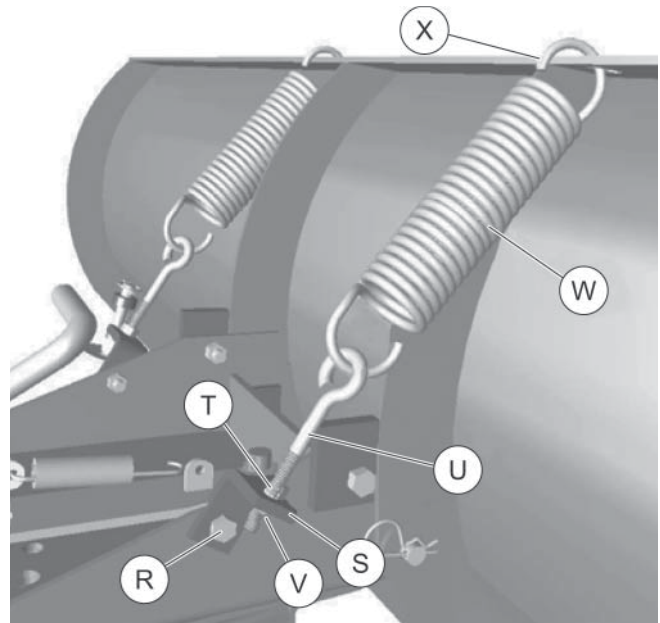


2. Lower the hole in the blade position lever bracket (E) onto the skid bracket (B) and bolt (C). Loosely secure with a 5/8" locknut (F).
3. Place a spacer (G) between the implement frame (D) and the blade position lever bracket (E), and secure with a bolt (H) and nut (I).
4. Tighten the front 5/8" nut (F), then loosen it just enough so that the skid bracket can rotate on the implement frame.
5. Install a spring (J) onto the two holes (K) in the tabs on the blade position lever bracket.

6. Center the back side of blade (L) with the frame assembly (M).

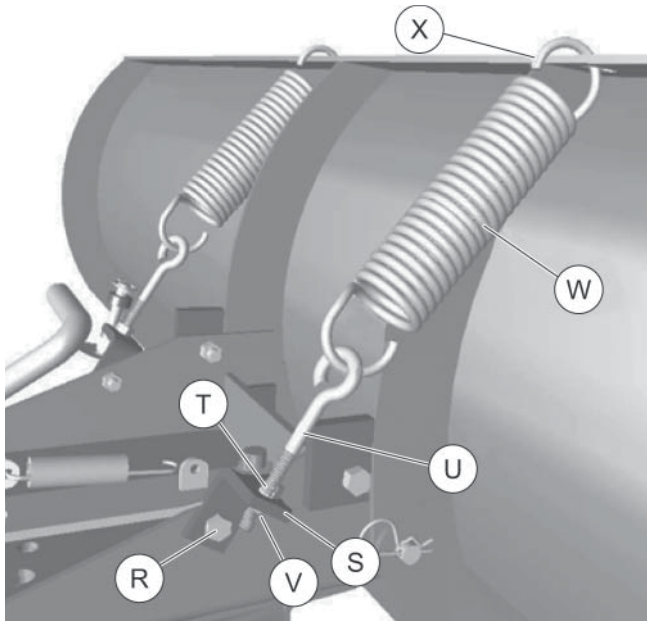


7. Attach the blade to the frame on each side with a mounting pin (N), using the holes (O) in the frame and the holes (P) in the blade. Secure each side with a hairpin cotter (Q).
8. Loosen the bolt (R) to allow the bracket (S) to rotate freely. Repeat on the opposite side.



INSTALLATION INSTRUCTIONS

9. Install one locknut (T) onto the eyebolt (U), and install the eyebolt through the hole in the bracket (S). Install a second locknut (V) onto the eyebolt but do not tighten it completely. Repeat on the opposite side.



⚠ CAUTION

Springs are under high tension and must be installed with hooked ends toward vehicle to prevent accidental detachment if blade trips.

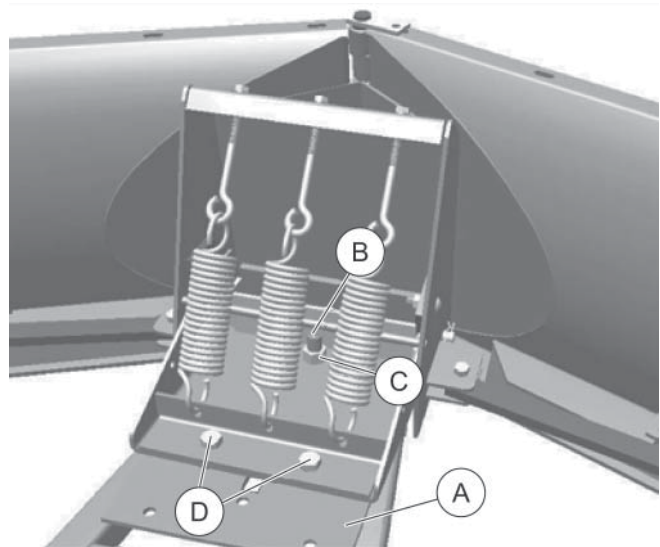
10. Install the springs (W) through the eyebolts and secure them to the blade with the hooked ends (X) toward the vehicle.
11. Tighten the locknuts (V) on the eyebolts so that 9/16" (15 mm) of the thread is exposed. Tighten the top locknut (T) on each side to secure the eyebolt in position.
12. Adjust the spring trip, blade tilt, and the skid shoes before operating.

V-Plow

⚠ CAUTION

Vehicle component or attachment is heavy. Use a safe lifting device or get an assistant to help lift, install or remove component or attachment.

1. Tip the blade forward and slide it over the frame center bracket (A).



2. Align the front hole in the V-plow center bracket with the bolt (B) welded to the bottom of the frame and lower the blade down onto the bolt. Secure it with a 5/8" locknut (C) and tighten it according to the torque chart.
3. Align the two holes in the frame with the holes in the center bracket and attach with two M12 x 30 flange head bolts (D). Secure with M12 locknuts and tighten the fasteners according to the torque chart.

INSTALLATION INSTRUCTIONS

INSTALLING THE BLADE (HPX, XUV 620I, XUV 850D)

⚠ WARNING

The driver shall keep bystanders clear of the blade when it is being raised, lowered, or angled. Do not stand between vehicle and blade or within 8 feet of a moving blade. A moving or falling blade could cause personal injury.

⚠ WARNING

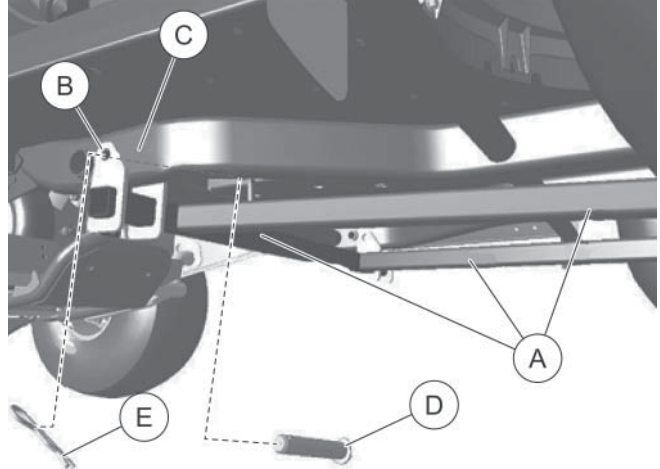
Keep hands and feet clear of the blade and A-frame/T-frame when mounting or removing the snowplow. Moving or falling assemblies could cause personal injury.

NOTE: For easier assembly and installation, vehicle and all snowplow components should be on a smooth, level, hard surface, such as concrete.

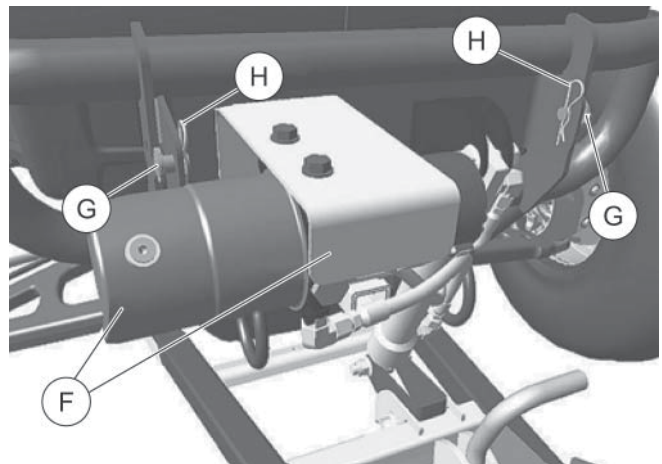
NOTE: To prevent corrosion on all connections, use dielectric grease.

1. Align the center of the vehicle with the center of the blade frame. Drive the vehicle forward slowly until the blade frame is properly positioned under the vehicle.
2. Press the bottom of the blade switch to lower the actuator bracket.
3. Park the vehicle on a solid, level surface. Engage the parking brake, turn OFF the engine, and remove the key. Wait for the engine and all moving parts to stop before leaving the operator's seat. Disconnect the NEGATIVE (–) battery cable or remove the spark plug wire (for gasoline engines) before servicing the vehicle.

4. Raise the rear of the blade frame (A). Place each attaching plate (B) onto the frame tube (C). Secure the frame to the attaching plate with a clevis pin (D) and hairpin cotter (E) at both sides.



5. Raise the hydraulic lift assembly (F), being careful not to pinch or damage the hydraulic lines. Install the clevis pins (G) and hairpin cotters (H).



6. Connect the wiring harness connector and hydraulic cylinder connector.

INSTALLATION INSTRUCTIONS

INSTALLING THE BLADE (T SERIES)

⚠ WARNING

The driver shall keep bystanders clear of the blade when it is being raised, lowered, or angled. Do not stand between vehicle and blade or within 8 feet of a moving blade. A moving or falling blade could cause personal injury.

⚠ WARNING

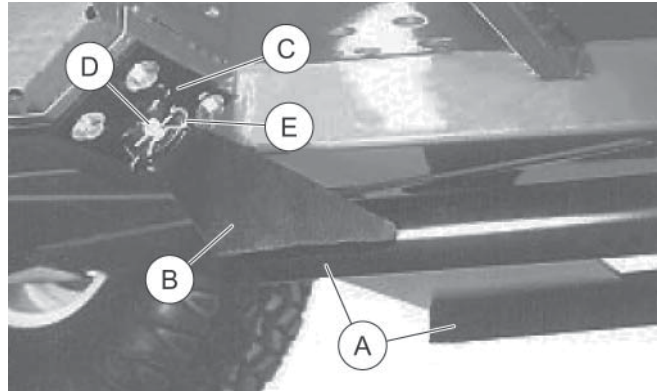
Keep hands and feet clear of the blade and A-frame/T-frame when mounting or removing the snowplow. Moving or falling assemblies could cause personal injury.

NOTE: For easier assembly and installation, vehicle and all snowplow components should be on a smooth, level, hard surface, such as concrete.

NOTE: To prevent corrosion on all connections, use dielectric grease.

1. Align the center of vehicle with the center of the blade frame. Drive forward slowly until the blade frame is properly positioned under the vehicle.
2. Press the bottom of the blade switch to lower the actuator bracket.
3. Park the vehicle on a solid, level surface. Engage the parking brake, turn OFF the engine, and remove the key. Wait for the engine and all moving parts to stop before leaving the operator's seat. Disconnect the NEGATIVE (-) battery cable or remove the spark plug wire (for gasoline engines) before servicing the vehicle.

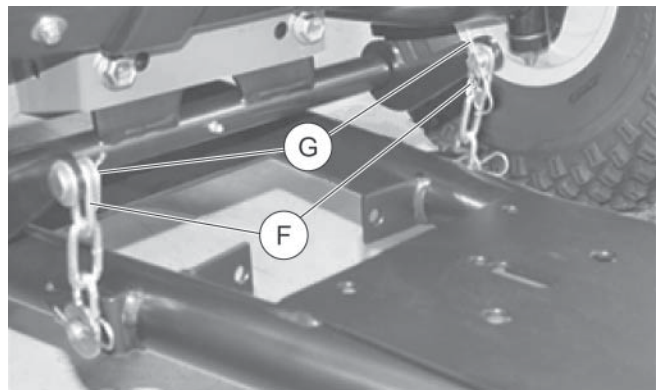
4. Raise the rear of the blade frame (A). Align each attaching plate (B) between the mounting bracket tabs (C). Secure the frame to the attaching plate with a clevis pin (D) and hairpin cotter (E) at both sides.



5. Remove the clevis pins, washers, and hairpin cotters from their storage position.

NOTE: Make sure that the chain on the blade frame hangs freely and evenly on both sides without twists or kinks.

6. Lift the blade frame and secure the top link of the chain (F) to the lower actuator bracket with the clevis pins, washers, and hairpin cotters (G).



INSTALLATION INSTRUCTIONS

INSTALLING THE BLADE (XUV 625I, XUV 825I, XUV 855D)

⚠ WARNING

The driver shall keep bystanders clear of the blade when it is being raised, lowered, or angled. Do not stand between vehicle and blade or within 8 feet of a moving blade. A moving or falling blade could cause personal injury.

⚠ WARNING

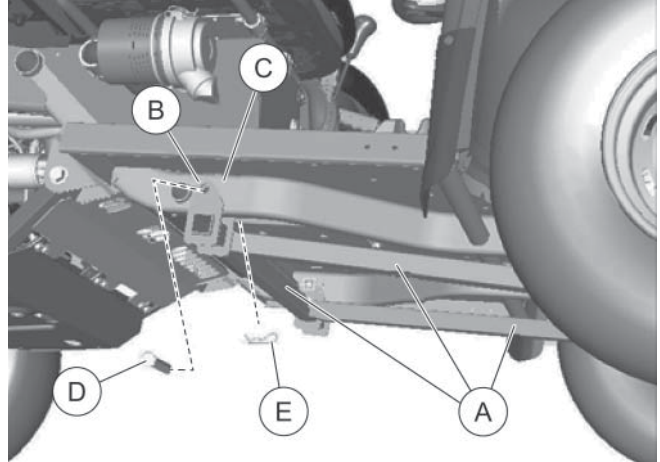
Keep hands and feet clear of the blade and frame when mounting or removing the snowplow. Moving or falling assemblies could cause personal injury.

NOTE: For easier assembly and installation, vehicle and all snowplow components should be on a smooth, level, hard surface, such as concrete.

NOTE: To prevent corrosion on all connections, use dielectric grease.

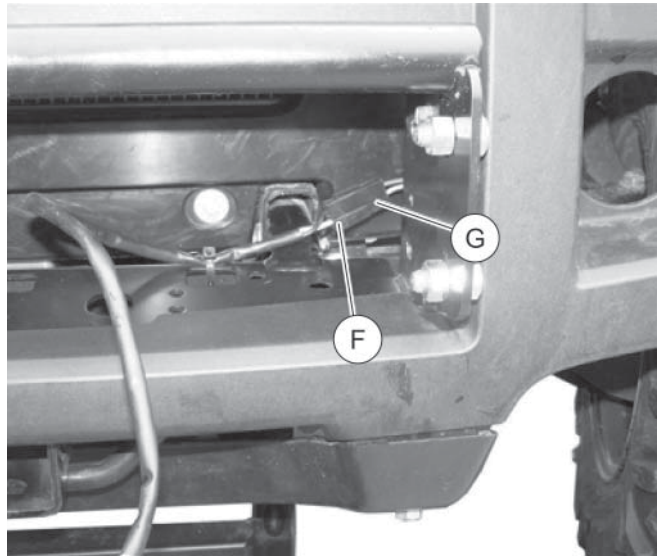
1. Align the center of vehicle with the center of the blade frame. Drive the vehicle forward slowly until the blade frame is properly positioned under the vehicle.
2. Press the bottom of the blade switch to lower the actuator bracket.
3. Park the vehicle on a solid, level surface. Engage the parking brake, turn OFF the engine, and remove the key. Wait for the engine and all moving parts to stop before leaving the operator's seat. Disconnect the NEGATIVE (–) battery cable or remove the spark plug wire (for gasoline engines) before servicing the vehicle.

4. Raise the rear of the blade frame (A). Place each attaching plate (B) onto the frame tube (C). Secure the frame to the attaching plate with a clevis pin (D) and hairpin cotter (E) at both sides.



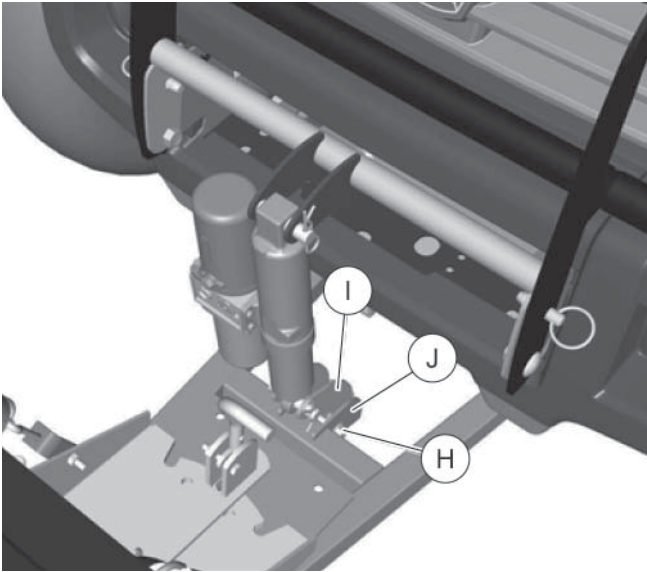
NOTE: Install the blade lift kit on the vehicle before installing the blade.

5. Connect the hydraulic cylinder connector (F) to the vehicle wiring harness connector (G).



OPERATIONAL TEST AND FINAL ADJUSTMENTS

- Remove the M12 x 80 cap screw (H) and M12 locknut from the lower pivot bracket (I).



- Connect the NEGATIVE (–) battery cable and lower hydraulic lift cylinder to align the holes in the lower pivot bracket (I) with the blade bracket (J), being careful not to pinch or damage the electrical wiring. Install a M12 x 80 bolt and M12 locknut to secure it in position.

FINAL INSPECTION AND ADJUSTMENT

⚠ WARNING

Keep 8' clear of the blade when it is being raised, lowered, or angled. Do not stand between vehicle and blade or directly in front of the blade. If the blade hits or drops on you, you could be seriously injured.

- Fully angle the blade in both directions in raised and lowered positions. Adjust hose fittings, wraps, and clamps so that the hoses do not contact vehicle bumper, have no sharp bends and are wrapped at contact points, and do not become pinched between the headgear and the frame.
- Add grease to the two hitch pins.

PLUG COVERS

⚠ CAUTION

Plug covers shall be used whenever snowplow is disconnected. Vehicle battery cable is 12V unfused source.

When the snowplow is removed from the vehicle, install plug covers on the vehicle battery cable. Insert the snowplow battery cable into the cable boot on the snowplow.

OWNER'S MANUAL PACKET

If the completed snowplow will be delivered immediately, the Owner's Manual should be reviewed with and given to the purchaser according to the snowplow checklist.

If the snowplow is completed prior to delivery to the purchaser, attach the Owner's Manual packet to the electrical cable of the cab control for safekeeping.



Western Products
PO Box 245038
Milwaukee, WI 53224-9538
www.westernplows.com

 A DIVISION OF DOUGLAS DYNAMICS, LLC

Western Products reserves the right under its product improvement policy to change construction or design details and furnish equipment when so altered without reference to illustrations or specifications used. Western Products or the vehicle manufacturer may require or recommend optional equipment for snow removal. Do not exceed vehicle ratings with a snowplow. Western Products offers a limited warranty for all snowplows and accessories. See separately printed page for this important information. The following are registered (®) or unregistered (™) trademarks of Douglas Dynamics, LLC: WESTERN®.

Printed in U.S.A.