



Suburbanite™ Personal Plow

6'8" Blade Assembly 27546

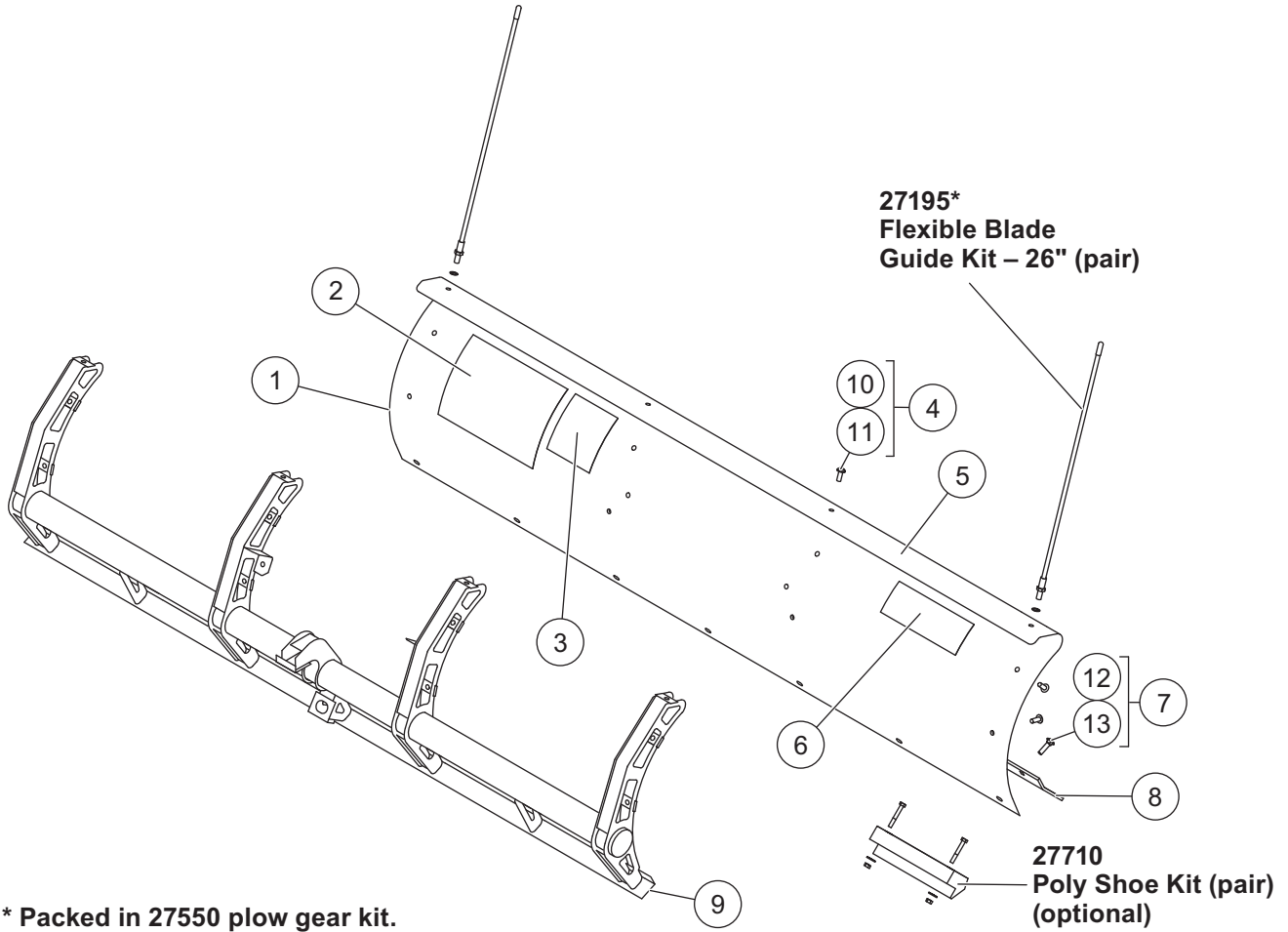
7'4" Blade Assembly 27548

Parts List



SUBURBANITE™ BLADE 27546/27548

Blade Components



SUBURBANITE™ BLADE 27546/27548

27546 / 27548 Blade Components							
Item	Part	Qty	Description	Item	Part	Qty	Description
1	69489	1	Label – Logo, WESTERN®, Large	6	27678	1	Label – Logo, Suburbanite
2	27155	1	Label – Attach/Detach, Personal Plow	7	27574	1	Cutting Edge Fastener Kit
3	59900	1	Label – Warning, Snowplows	8	27713	1	6'8" Cutting Edge Kit w/Fasteners
4	27573	1	Moldboard Fastener Kit		27714	1	7'4" Cutting Edge Kit w/Fasteners
5	27716	1	6'8" Moldboard Kit w/Fasteners	9	27111	1	6'8" Blade Structure, Personal Plow
	27718	1	7'4" Moldboard Kit w/Fasteners		27187		7'4" Blade Structure, Personal Plow
Item 4				27573 Moldboard Fastener Kit			
	10	12	3/8-16 Flanged Hex Locknut		11	12	3/8-16 x 1 Button Cap Screw
Item 7				27574 Cutting Edge Fastener Kit			
	12	7	3/8-16 Flanged Hex Locknut GF		13	7	3/8-16 x 1-1/2 Carriage Bolt G5
G = Grade							



Western Products
PO Box 245038
Milwaukee, WI 53224-9538
www.westernplows.com

 A DIVISION OF DOUGLAS DYNAMICS, LLC

Copyright © 2020 Douglas Dynamics, LLC. All rights reserved. This material may not be reproduced or copied, in whole or in part, in any printed, mechanical, electronic, film, or other distribution and storage media, without the written consent of Western Products. Authorization to photocopy items for internal or personal use by Western Products outlets or snowplow owner is granted.

Western Products reserves the right under its product improvement policy to change construction or design details and furnish equipment when so altered without reference to illustrations or specifications used. Western Products or the vehicle manufacturer may require or recommend optional equipment for snow removal. Do not exceed vehicle ratings with a snowplow. Western Products offers a limited warranty for all snowplows and accessories. See separately printed page for this important information. The following are registered (®) or unregistered (™) trademarks of Douglas Dynamics, LLC: Suburbanite™, WESTERN®.

Printed in U.S.A.