



Hopper and Drive Components

Striker™ Hopper Spreader with Gasoline Engine

#99032, 99033, 99036, 99037, 99040,
99041, 99043, 99044, 99046, 99047

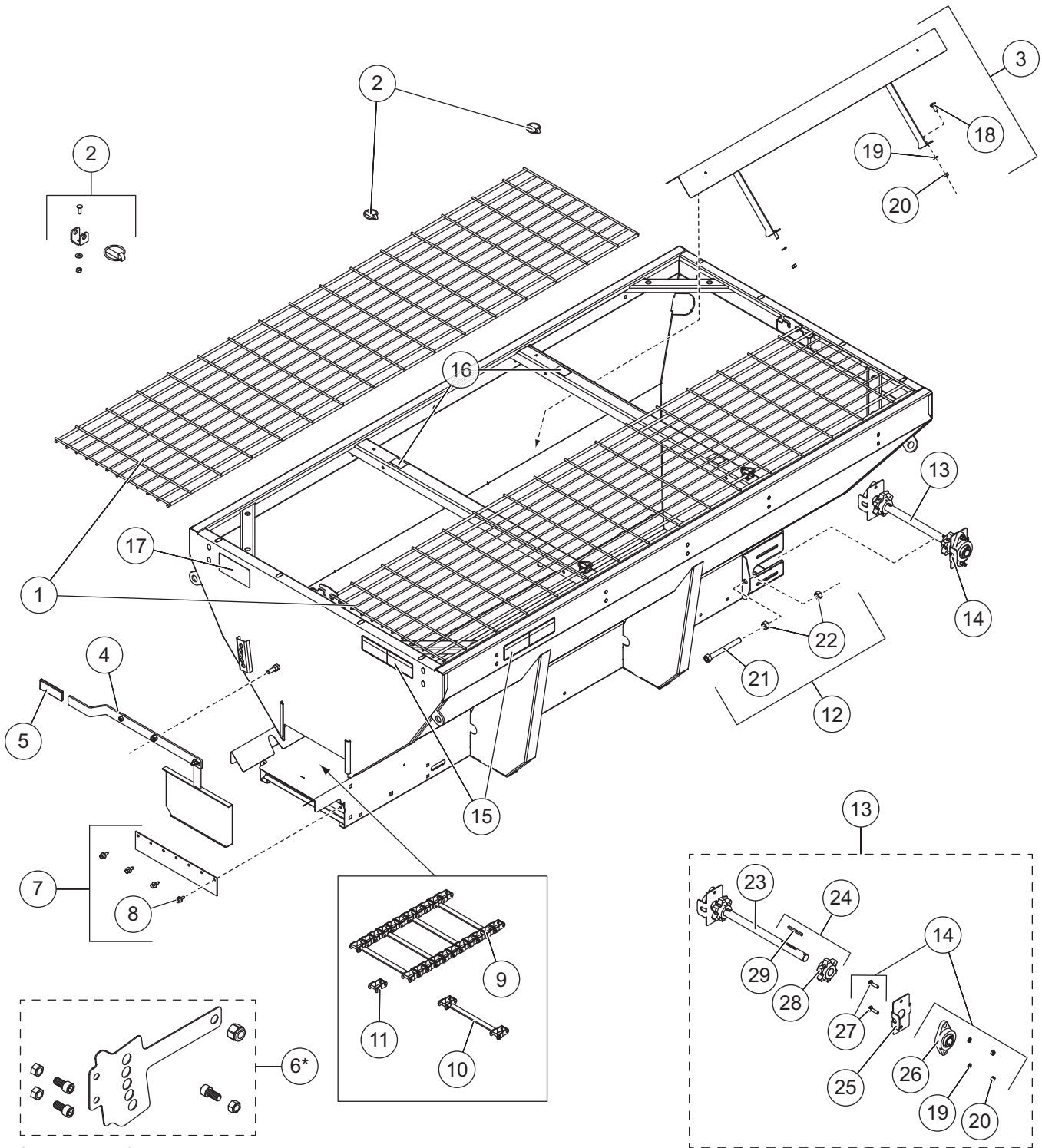
Parts List



This Parts List is for WESTERN® Striker hopper spreaders
with serial numbers beginning with 150515 through 170628.

Striker™ HOPPER SPREADER

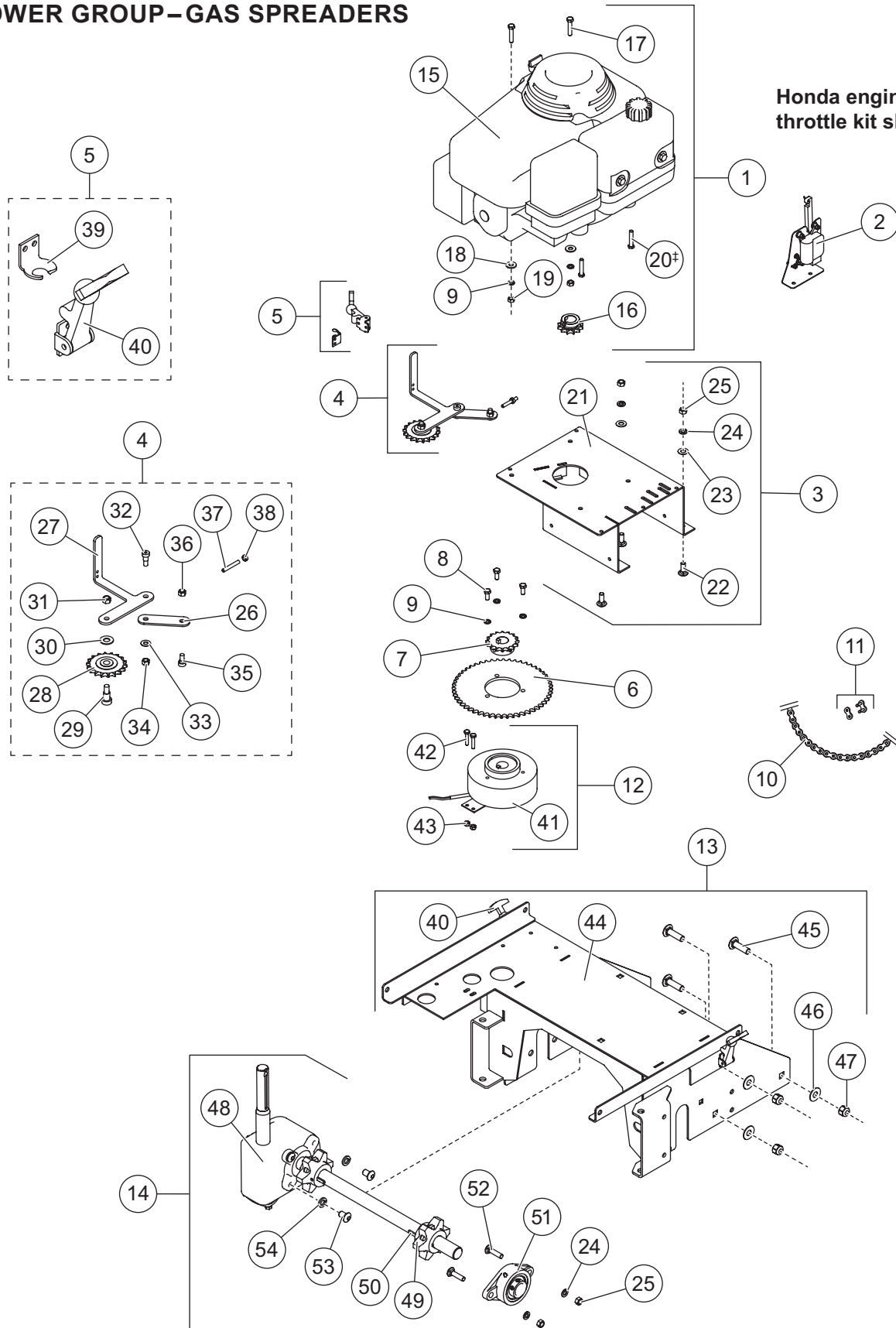
HOPPER COMPONENTS



* Update kit for hoppers without a feed gate lock bracket.

Striker™ HOPPER SPREADER

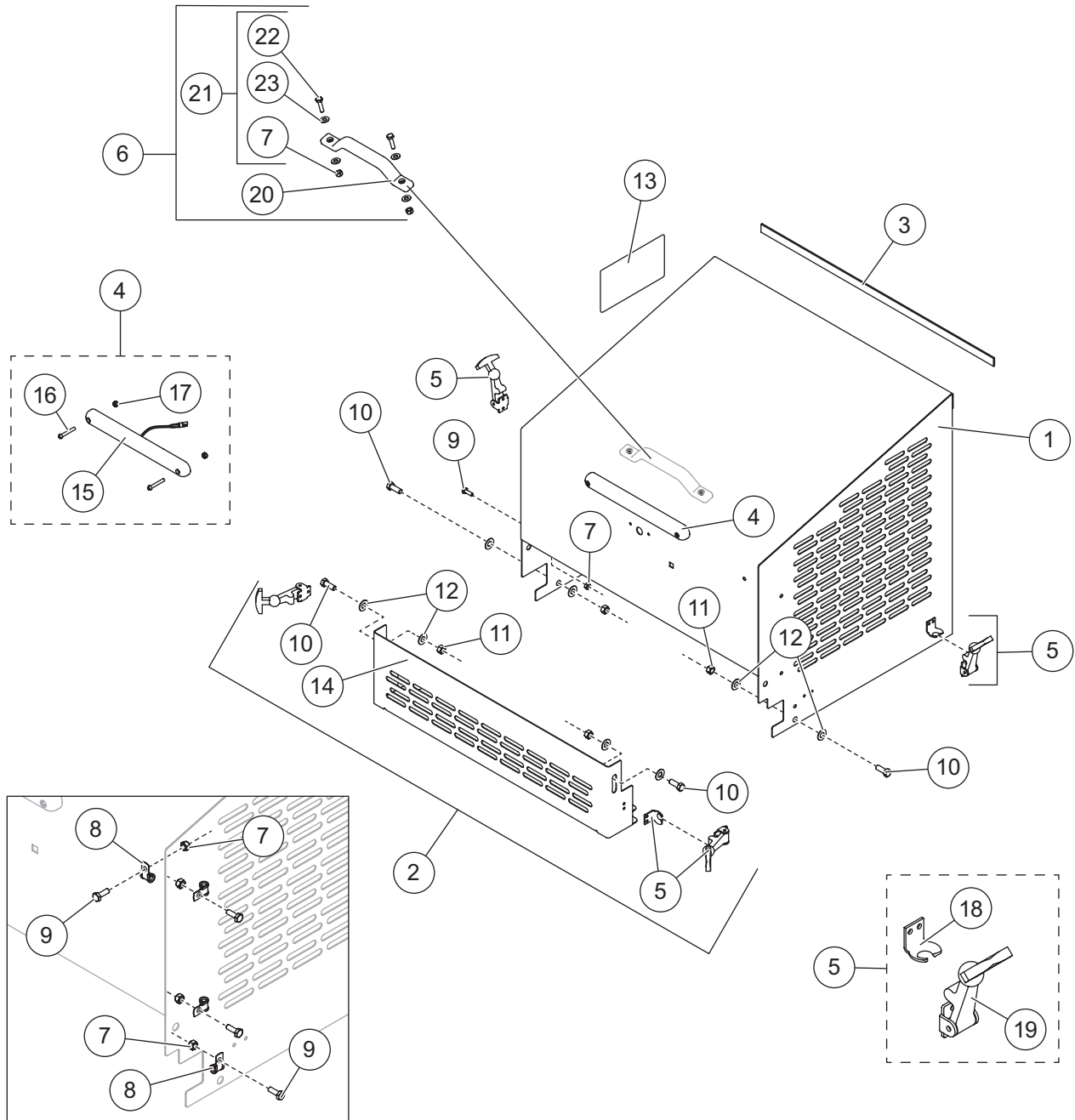
POWER GROUP-GAS SPREADERS



Honda engine and throttle kit shown.

Striker™ HOPPER SPREADER

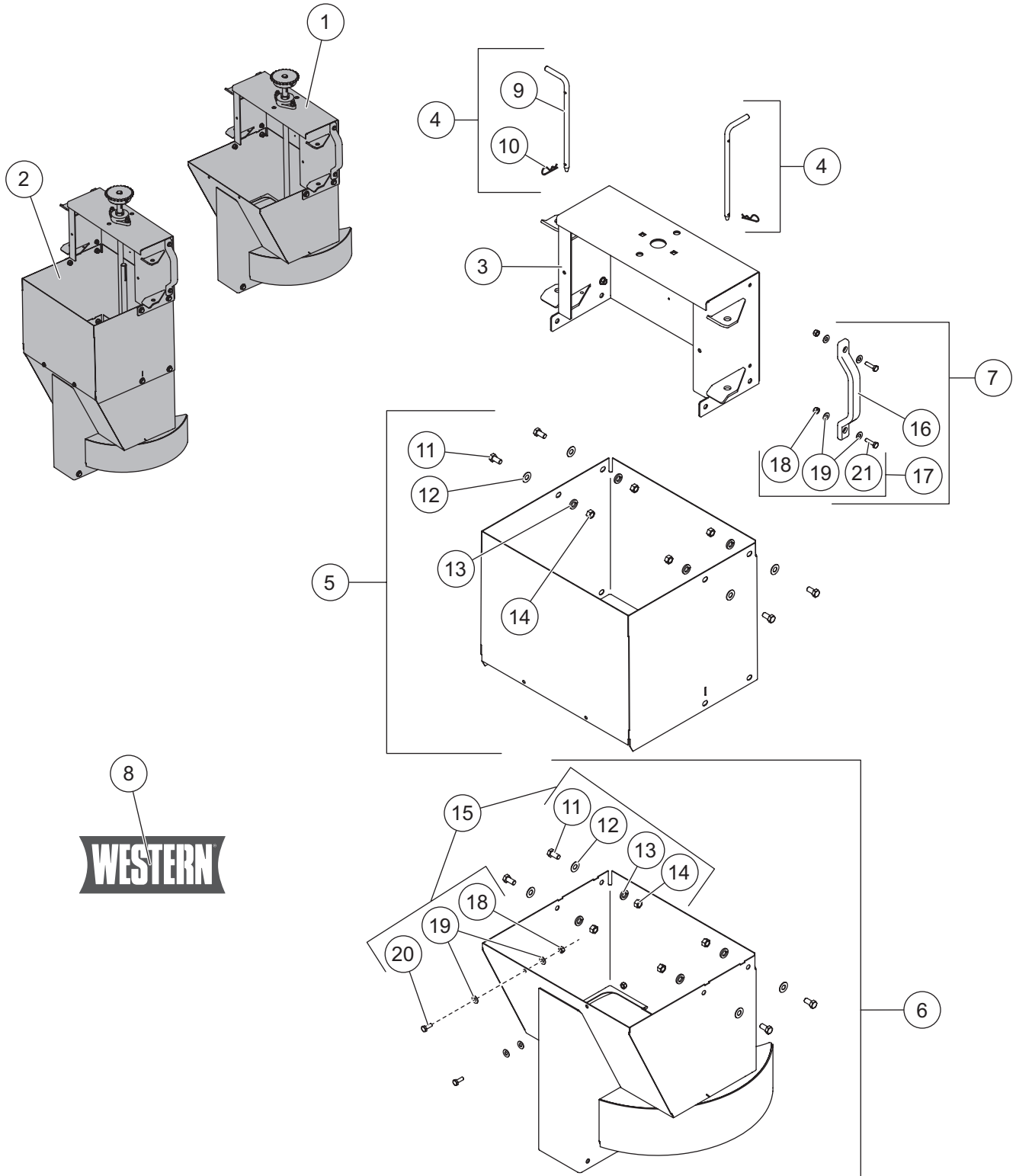
ENGINE COVER ASSEMBLY



**Clamp loop locations
inside engine cover.**

Striker™ HOPPER SPREADER

CHUTE ASSEMBLY



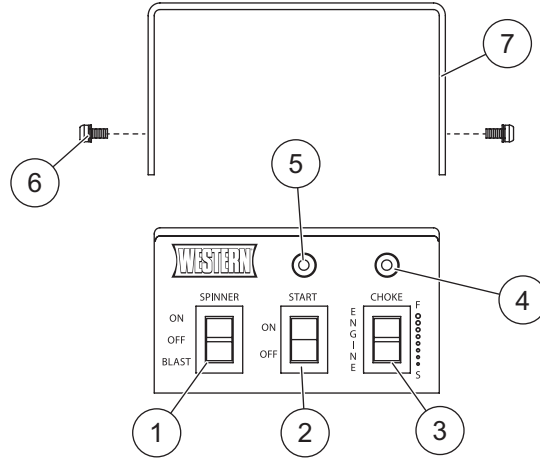
Striker™ HOPPER SPREADER

Chute Assembly							
Item	Part	Qty	Description	Item	Part	Qty	Description
1	96545	1	Short Chute Assembly – Complete*	5	99531	1	Chute Middle Section Kit
2	99141	1	Long Chute Assembly – Complete*	6	99554	1	Chute Lower Section Kit
3	96385	1	Chute Upper Section	7	99098	2	Plastic Handle Kit
4	99742	1	Chute Attachment Kit (both sides)	8	96996	1	Label – Logo, WESTERN® 13 x 5
Item 4				99742 Chute Attachment Kit			
	9	2	3/8 x 8-1/4 Chute Pin		10	2	3/32 x 2-1/4 Cotter Pin
Item 5				99531 Chute Middle Section Kit			
		1	Chute Extension, Gas		13	4	3/8 Lock Washer SS
11		4	3/8-16 x 3/4 Hex Cap Screw SS	14		4	3/8-16 Hex Nut SS
12		4	3/8 Flat Washer SS				
Item 6				99554 Chute Lower Section Kit			
		1	Chute Lower Section	15	99557	1	Bolt Bag – Lower Chute Kit
Item 7				99098 Plastic Handle Kit			
	16	1	Plastic Handle	17	99099	1	Bolt Bag – Plastic Handle Kit
Item 15				99557 Bolt Bag – Lower Chute Kit			
11		4	3/8-16 x 3/4 Hex Cap Screw SS	18		2	1/4-20 Hex Locknut GB SS
12		4	3/8 Flat Washer SS	19		4	1/4 Flat Washer SS
13		4	3/8 Lock Washer SS	20		2	1/4-20 x 3/4 Hex Cap Screw SS
14		4	3/8-16 Hex Nut SS				
Item 17				99099 Bolt Bag – Plastic Handle Kit			
	18	2	1/4-20 Hex Locknut GB SS	21		2	1/4-20 x 1-1/4 Hex Cap Screw SS
	19	4	1/4 Flat Washer SS				
SS = Stainless Steel				G = Grade			

* Includes spinner and shutter assemblies shown on following page. Logo label (item 8) not included.

Striker™ HOPPER SPREADER

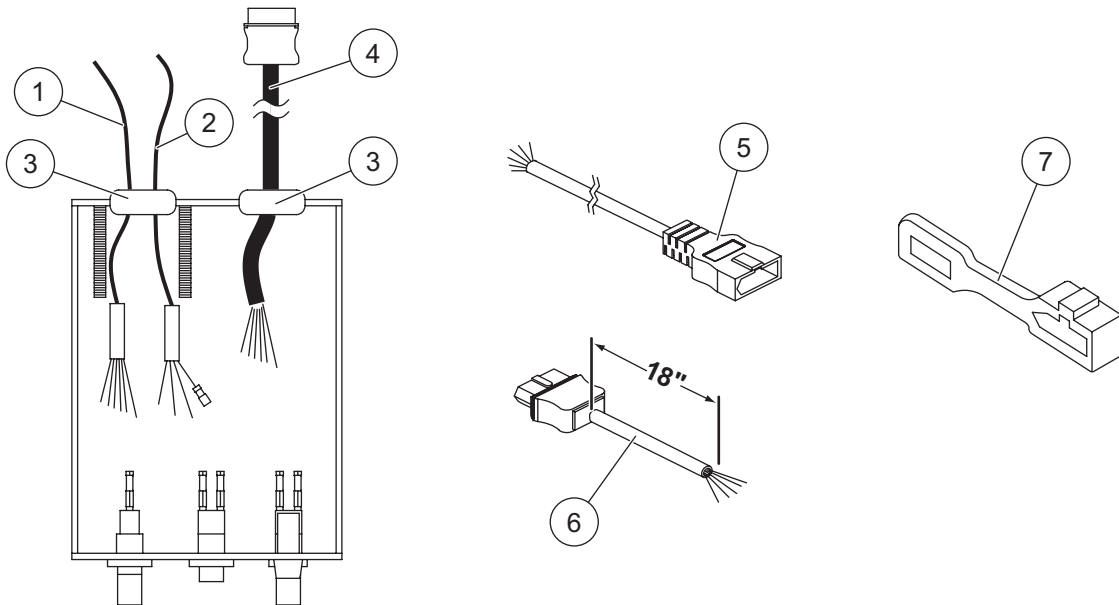
CAB CONTROL



98985 Hopper Spreader Cab Control – 2 Lights

Item	Part	Qty	Description	Item	Part	Qty	Description
1	67532	1	Spinner Clutch Switch	5	99176	1	LED, 12V Panel Mount (green)
2	67533	1	Ignition Switch	6	63930	4	#4-40 x 1/4 Pan-Head Machine Screw
3	67534	1	Throttle (choke) Switch	7	65516	1	Control Bracket Installation Kit (includes mounting hardware)
4	99175	1	LED, 12V Panel Mount (red)				

ELECTRICAL COMPONENTS



Electrical Components

Item	Part	Qty	Description	Item	Part	Qty	Description
1	67526	1	Control Harness 12V Positive (red)	5	69923	1	Spreader Harness, 11-Pin
2	69922	1	Control Harness Ground (black)	6	63726	1	Vehicle Harness Repair Kit, 11-Pin
3	66130	2	Rubber Grommet, Large	7	61548K	1	Plug Cover Kit
4	69921	1	Vehicle Harness, 11-Pin				

Striker™ HOPPER SPREADER

ACCESSORIES

Accessory Kits			
Part	Description	Part	Description
99619	Chute Extension Kit, Gas (includes long spinner shaft)	99126	Starter Relay Kit
99629	Accessory Bracket & Harness Kit, Gas	65605-4	Battery Tray Kit
99686	License Plate Light Kit	94680	Vehicle Battery Harness Kit
99505-1*	Primary Work Light Kit	99488	Hopper Side Extension Kit
99732-1*	Secondary Work Light Kit	92532	Truck Mount Kit, 2 Bars – 8' Hopper
99494*	Strobe Light Kit	92533	Truck Mount Kit, 3 Bars – 9' & 10' Hoppers
76668**†	Vibrator Kit	99690	Tie-Down Kit SH Chain

* Requires installation of 99629 Accessory Bracket & Harness Kit, Gas.

† Requires installation of 76669 Field Fix Kit.

Pre-Wet Kits			
Part	Description	Part	Description
76400	Standard Pump Kit, On-Off System	76425	50-gallon Tank Kit (2 x 25 gal)
76420	Deluxe Pump Kit, Full-Feature System	76450	100-gallon Tank Kit (2 x 50 gal)
76405	Pre-Wet Pump Switch Kit		

Striker™ HOPPER SPREADER



Western Products
PO Box 245038
Milwaukee, WI 53224-9538
www.westernplows.com

 A DIVISION OF DOUGLAS DYNAMICS, LLC

Copyright © 2020 Douglas Dynamics, LLC. All rights reserved. This material may not be reproduced or copied, in whole or in part, in any printed, mechanical, electronic, film, or other distribution and storage media, without the written consent of Western Products. Authorization to photocopy items for internal or personal use by Western Products outlets or spreader owner is granted.

Western Products reserves the right under its product improvement policy to change construction or design details and furnish equipment when so altered without reference to illustrations or specifications used. Western Products or the vehicle manufacturer may require or recommend optional equipment for spreaders. Do not exceed vehicle ratings with a spreader. Western Products offers a limited warranty for all spreaders and accessories. See separately printed page for this important information. The following are registered (®) or unregistered (™) trademarks of Douglas Dynamics, LLC: Striker™, WESTERN®.

Printed in U.S.A.