



## Hopper and Drive Components

Striker™ Hopper Spreader  
with Electric Motors

#99030, 99031, 99035, 99039

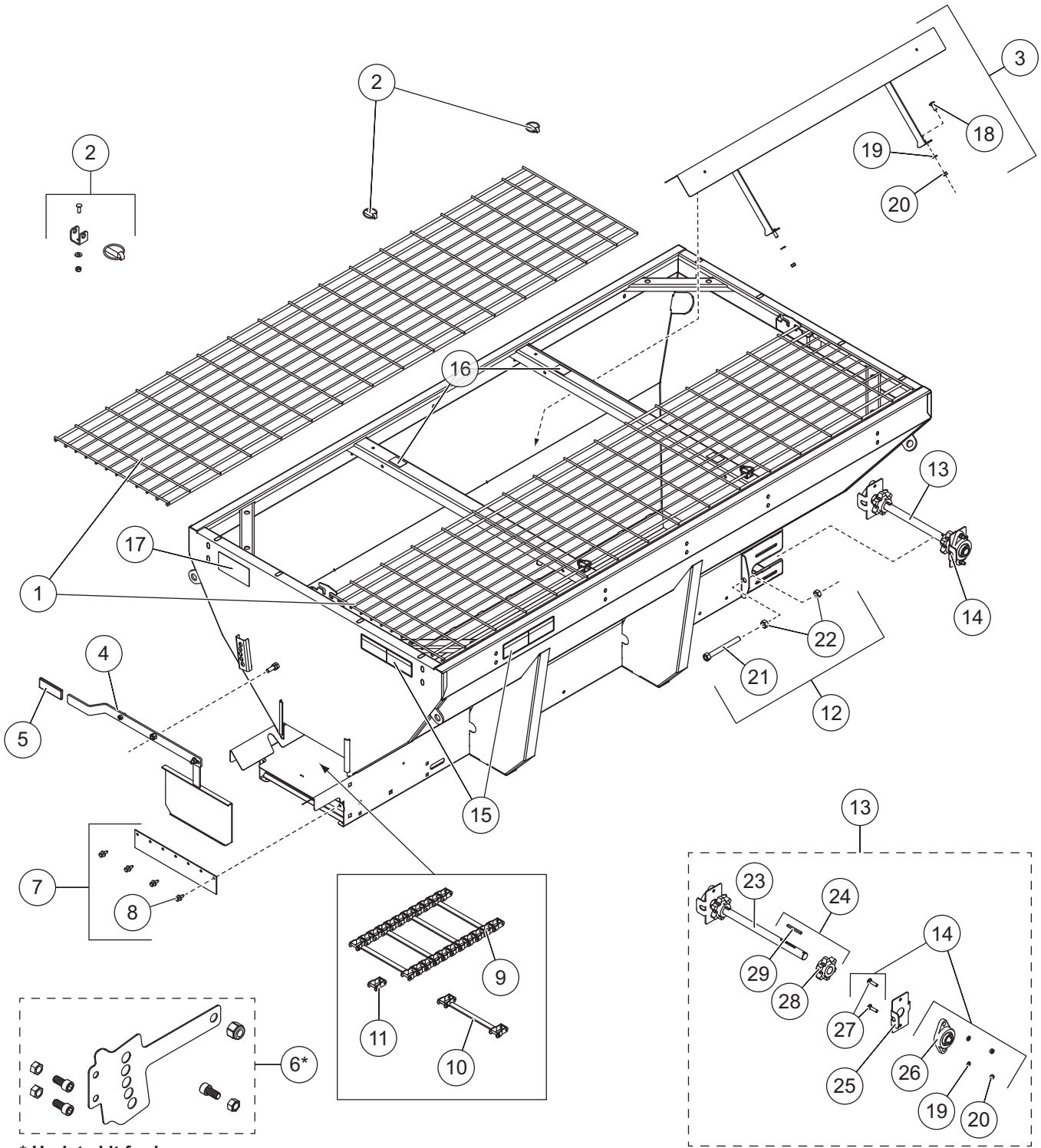
Parts List



This Parts List is for WESTERN® Striker hopper spreaders with serial numbers beginning with 150515 through 170628.

# Striker™ HOPPER SPREADER

## HOPPER COMPONENTS

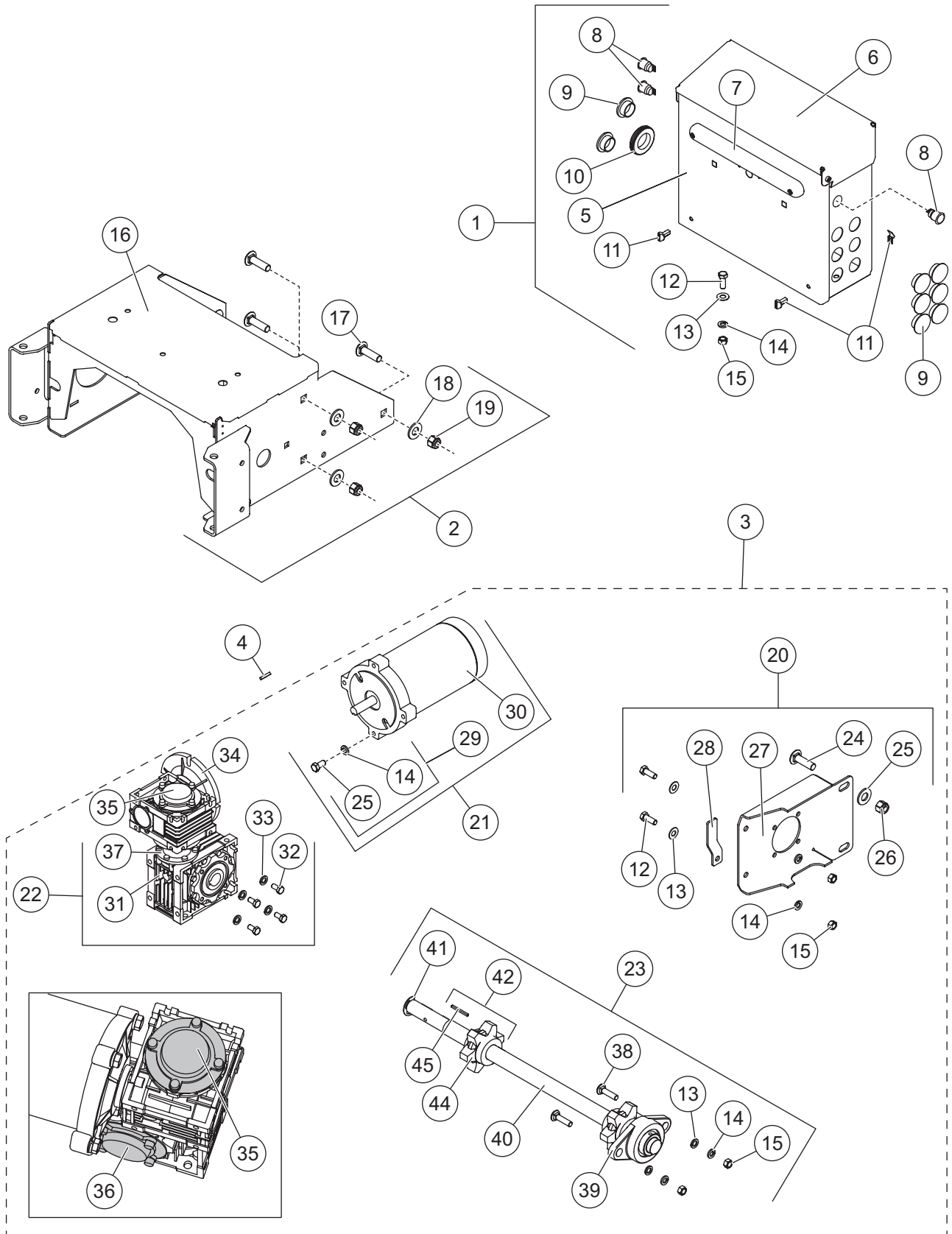


\* Update kit for hoppers without a feed gate lock bracket.



# Striker™ HOPPER SPREADER

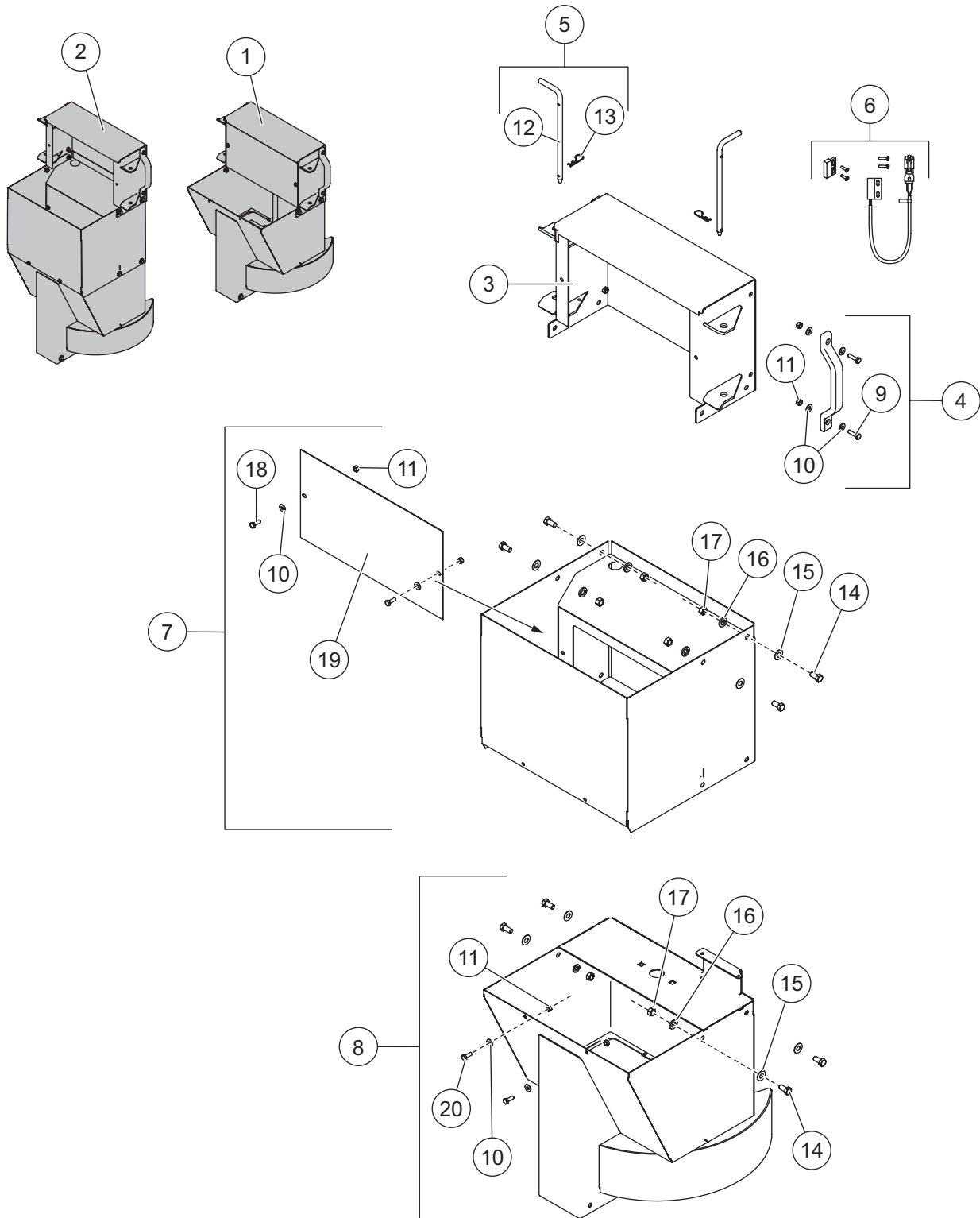
## CONVEYOR DRIVE COMPONENTS





# Striker™ HOPPER SPREADER

## CHUTE ASSEMBLY COMPONENTS



# Striker™ HOPPER SPREADER

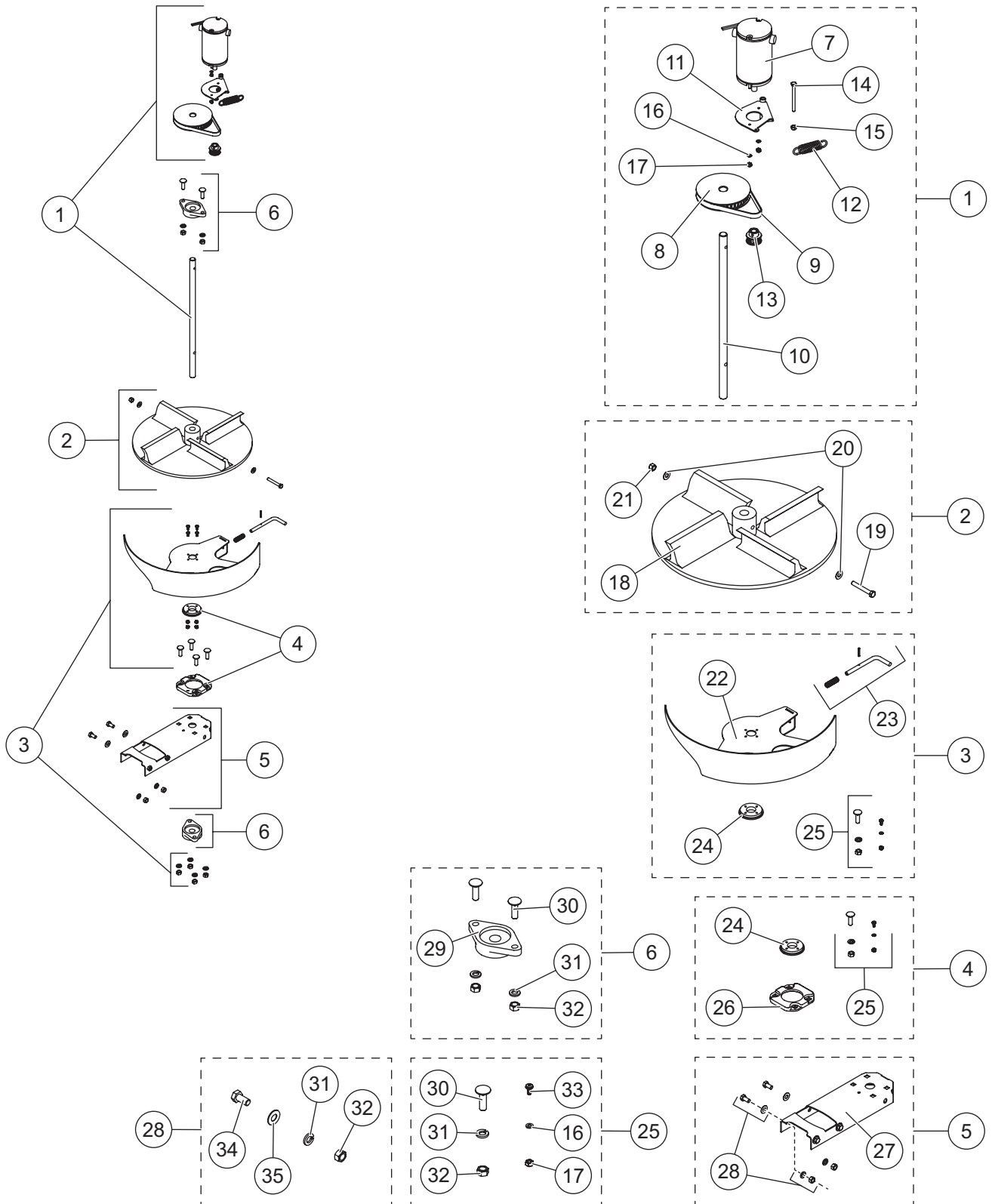
| <b>Chute Assembly Components</b> |             |            |                                 |                                        |             |            |                               |
|----------------------------------|-------------|------------|---------------------------------|----------------------------------------|-------------|------------|-------------------------------|
| <b>Item</b>                      | <b>Part</b> | <b>Qty</b> | <b>Description</b>              | <b>Item</b>                            | <b>Part</b> | <b>Qty</b> | <b>Description</b>            |
| 1                                | 99132*      | 1          | Short Chute Assembly – Complete | 5                                      | 99613       | 1          | Chute Attachment Kit          |
| 2                                | 99096*      | 1          | Long Chute Assembly – Complete  | 6                                      | 99568       | 1          | Magnetic Chute Interlock Kit  |
| 3                                | 96386       | 1          | Chute Upper Section             | 7                                      | 99139†      | 1          | Chute Middle Section Kit      |
| 4                                | 99098       | 2          | Handle Kit                      | 8                                      | 99137       | 1          | Chute Lower Section Kit       |
| <b>Item 4</b>                    |             |            |                                 | <b>99098 Handle Kit</b>                |             |            |                               |
|                                  |             | 2          | 1/4-20 x 1-1/4 Hex Cap Screw SS | 11                                     |             | 2          | 1/4-20 Locknut GB SS          |
|                                  |             | 4          | 1/4 Flat Washer SS              |                                        |             |            |                               |
| <b>Item 5</b>                    |             |            |                                 | <b>99613 Chute Attachment Kit</b>      |             |            |                               |
|                                  |             | 2          | 3/8 x 8-1/4 Chute Pin           | 13                                     |             | 2          | 3/32 x 2-1/4 Cotter Pin       |
| <b>Item 7</b>                    |             |            |                                 | <b>99139† Chute Middle Section Kit</b> |             |            |                               |
| –                                |             | 1          | Chute Extension, Electric       | 16                                     |             | 4          | 3/8 Lock Washer SS            |
| 10                               |             | 2          | 1/4 Flat Washer SS              | 17                                     |             | 4          | 3/8-16 Hex Nut SS             |
| 11                               |             | 2          | 1/4-20 Locknut GB SS            | 18                                     |             | 2          | 1/4-20 x 3/4 Hex Cap Screw    |
| 14                               |             | 4          | 3/8-16 x 3/4 Hex Cap Screw SS   | 19                                     | 99207       | 1          | Chute Motor Cover             |
| 15                               |             | 4          | 3/8 Flat Washer SS              |                                        |             |            |                               |
| <b>Item 8</b>                    |             |            |                                 | <b>99137 Chute Lower Section Kit</b>   |             |            |                               |
| –                                |             | 1          | Lower Chute Body                | 15                                     |             | 4          | 3/8 Flat Washer SS            |
| 10                               |             | 2          | 1/4 Flat Washer SS              | 16                                     |             | 4          | 3/8 Lock Washer SS            |
| 11                               |             | 2          | 1/4-20 Locknut GB SS            | 17                                     |             | 4          | 3/8-16 Hex Nut SS             |
| 14                               |             | 4          | 3/8-16 x 3/4 Hex Cap Screw SS   | 20                                     |             | 2          | 1/4-20 x 3/4 Hex Cap Screw SS |
| SS = Stainless Steel             |             |            |                                 | G = Grade                              |             |            |                               |

\* Includes spinner and shutter assemblies shown on following page.

† Not used in the 99132 short chute assembly.

# Striker™ HOPPER SPREADER

## SPINNER DRIVE & SHUTTER ASSEMBLIES





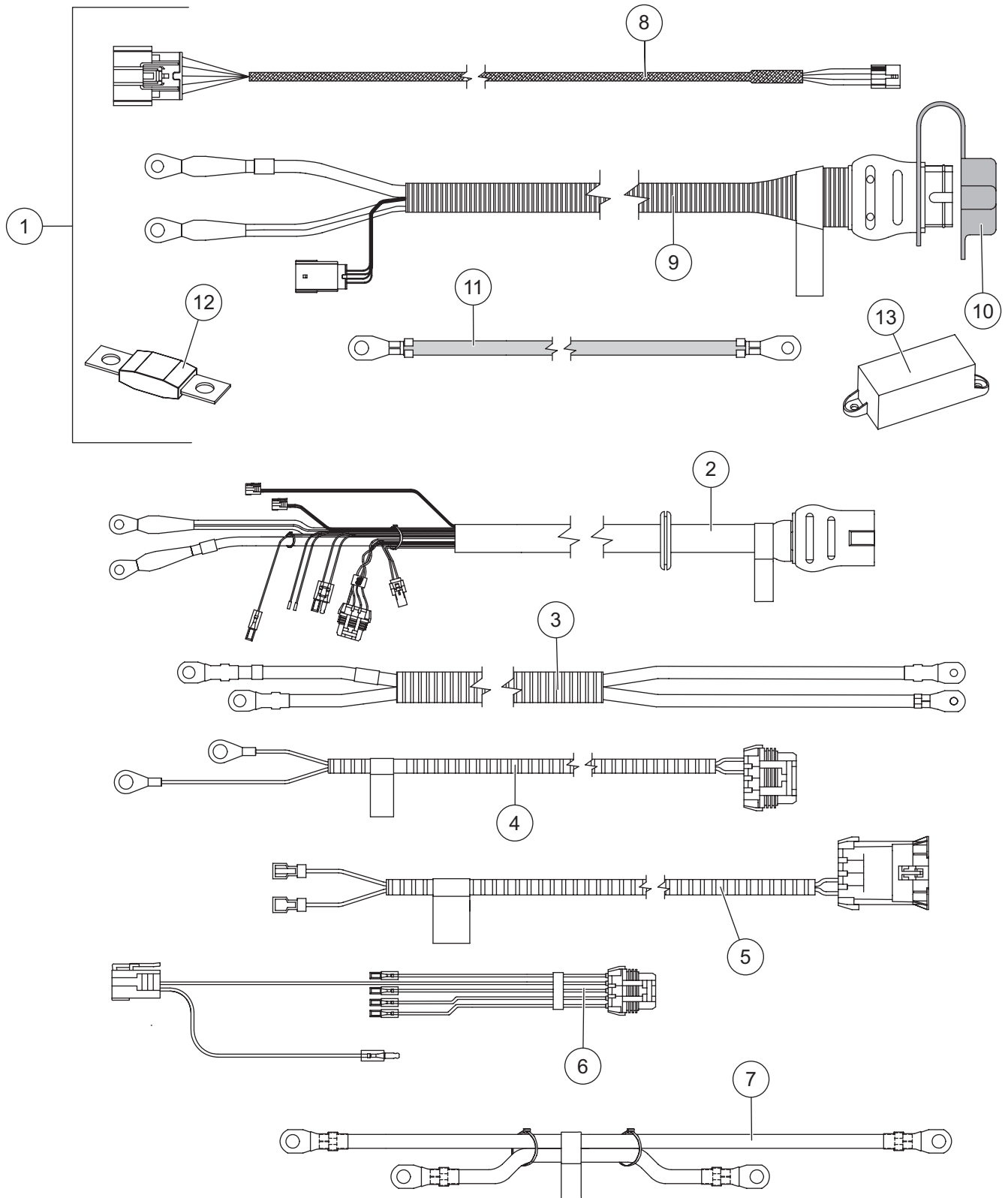
# Striker™ HOPPER SPREADER

| <b>Spinner Drive &amp; Shutter Assemblies</b> |             |            |                                      |                                                 |             |            |                                    |
|-----------------------------------------------|-------------|------------|--------------------------------------|-------------------------------------------------|-------------|------------|------------------------------------|
| <b>Item</b>                                   | <b>Part</b> | <b>Qty</b> | <b>Description</b>                   | <b>Item</b>                                     | <b>Part</b> | <b>Qty</b> | <b>Description</b>                 |
| 1                                             | 96506       | 1          | Chute Drive Service Kit              | 4                                               | 96504       | 1          | Chute Shutter Bearing Kit          |
| 2                                             | 99485       | 1          | Poly Spinner Kit                     | 5                                               | 96392       | 1          | Shutter Bearing Support Kit        |
| 3                                             | 99135       | 1          | Shutter Replacement Kit              | 6                                               | 96501       | 2          | Bearing Kit                        |
| <b>Item 1</b>                                 |             |            |                                      | <b>96506 Chute Drive Service Kit</b>            |             |            |                                    |
| 7                                             | 93200*      | 1          | Motor 12V 1/3-hp                     | 13                                              | 76795       | 1          | 10-Tooth Pulley, Drive Gear        |
| 8                                             | 76796       | 1          | 40-Tooth Cogged Belt Pulley 3/4 Bore | ns                                              | 99614       | 1          | Bolt Bag – Chute Service Kit       |
| 9                                             | M1355       | 1          | Spinner Drive Belt                   | 14                                              |             | 1          | 1/4-20 x 3 Hex Cap Screw SS        |
| 10                                            | 99228       | 1          | Spinner Shaft                        | 15                                              |             | 1          | 1/4-20 Locknut GB SS               |
| 11                                            | 80028       | 1          | Spinner Motor Tensioner Plate        | 16                                              |             | 2          | #10 Flat Washer SS                 |
| 12                                            | 99776       | 1          | Spinner Motor Spring SS              | 17                                              |             | 2          | #10-32 Locknut GB SS               |
| <b>Item 2</b>                                 |             |            |                                      | <b>99485 Poly Spinner Kit</b>                   |             |            |                                    |
| 18                                            |             | 1          | Spinner, Black Poly – CW Rotation    | 20                                              |             | 2          | 5/16 Flat Washer SS                |
| 19                                            |             | 1          | 5/16-18 x 2-1/4 Hex Cap Screw SS     | 21                                              |             | 1          | 5/16-18 Locknut GB SS              |
| <b>Item 3</b>                                 |             |            |                                      | <b>99135 Shutter Replacement Kit</b>            |             |            |                                    |
| 22                                            |             | 1          | Chute Shutter                        | 24                                              |             | 1          | Chute Shutter Bearing – Inner      |
| 23                                            | 96505       | 1          | Shutter Lock Pin Kit                 | 25                                              | 99615       | 1          | Bolt Bag – Shutter                 |
| <b>Item 4</b>                                 |             |            |                                      | <b>96504 Chute Shutter Bearing Kit</b>          |             |            |                                    |
| 24                                            |             | 1          | Chute Shutter Bearing – Inner        | 26                                              |             | 1          | Chute Shutter Bearing – Outer      |
| 25                                            | 99615       | 1          | Bolt Bag – Shutter                   |                                                 |             |            |                                    |
| <b>Item 5</b>                                 |             |            |                                      | <b>96392 Shutter Bearing Support Kit</b>        |             |            |                                    |
| 27                                            |             | 1          | Chute Lower Bearing Support          | 28                                              | 96529       | 1          | Bolt Bag – Shutter Bearing Support |
| <b>Item 6</b>                                 |             |            |                                      | <b>96501 Bearing Kit</b>                        |             |            |                                    |
| 29                                            | 96167       | 1          | Pillow Block Bearing 3/4 Bore        | 31                                              |             | 2          | 3/8 Lock Washer SS                 |
| 30                                            |             | 2          | 3/8-16 x 1-1/4 Carriage Bolt         | 32                                              |             | 2          | 3/8-16 Hex Nut SS                  |
| <b>Item 25</b>                                |             |            |                                      | <b>99615 Bolt Bag – Shutter</b>                 |             |            |                                    |
| 16                                            |             | 4          | #10 Flat Washer SS                   | 31                                              |             | 4          | 3/8 Lock Washer SS                 |
| 17                                            |             | 4          | #10-32 Locknut GB SS                 | 32                                              |             | 4          | 3/8-16 Hex Nut SS                  |
| 30                                            |             | 4          | 3/8-16 x 1-1/4 Carriage Bolt         | 33                                              |             | 4          | #10-32 x 1/2 #2 Pan Head Screw SS  |
| <b>Item 28</b>                                |             |            |                                      | <b>96529 Bolt Bag – Shutter Bearing Support</b> |             |            |                                    |
| 31                                            |             | 4          | 3/8 Lock Washer SS                   | 34                                              |             | 4          | 3/8-16 x 3/4 Hex Cap Screw SS      |
| 32                                            |             | 4          | 3/8-16 Hex Nut SS                    | 35                                              |             | 4          | 3/8 Flat Washer SS                 |
|                                               |             |            | SS = Stainless Steel                 |                                                 |             |            | ns = not shown                     |
|                                               |             |            |                                      |                                                 |             |            | G = Grade                          |

\* Requires 80028 Spinner Motor Tensioner Plate if purchasing 93200 to replace 93100.

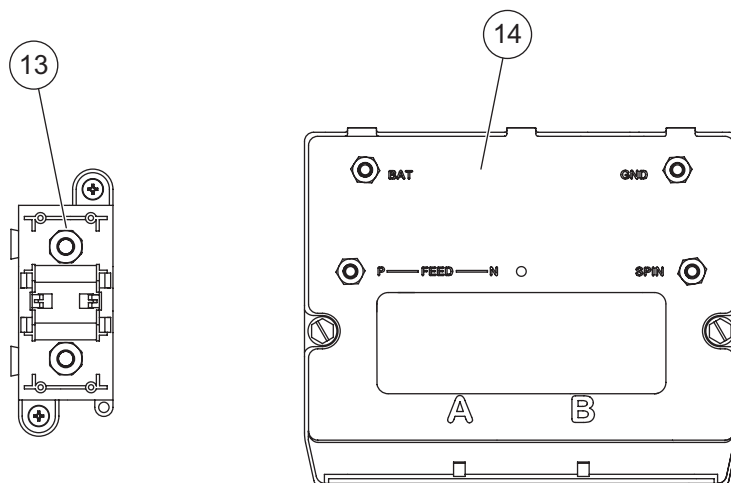
# Striker™ HOPPER SPREADER

## ELECTRICAL COMPONENTS



# Striker™ HOPPER SPREADER

## ELECTRICAL BOX COMPONENTS



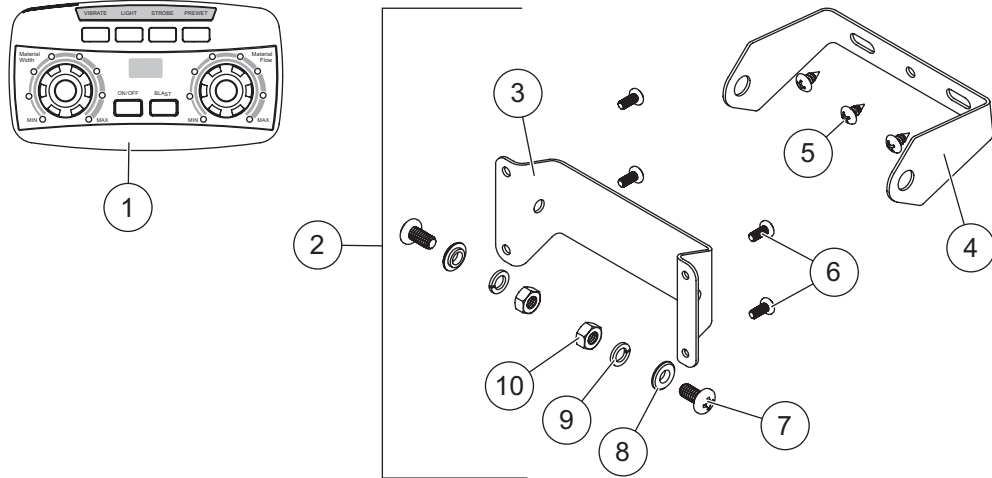
| Cables & Harnessing, Electrical Components   |       |     |                                    |      |       |     |                                       |
|----------------------------------------------|-------|-----|------------------------------------|------|-------|-----|---------------------------------------|
| Item                                         | Part  | Qty | Description                        | Item | Part  | Qty | Description                           |
| 1                                            | 78402 | 1   | Vehicle-Side Harness Kit           | 6    | 69939 | 1   | 10-Pin Connector w/Switch Connector   |
| 2                                            | 69906 | 1   | Hopper Harness Assembly            | 7    | 78385 | 1   | Cable – Module to Isolated Stud Block |
| 3                                            | 78987 | 1   | Conveyor Motor Cable               | ns   | 99772 | 1   | Motor Terminal Cover Kit (pkg of 2)   |
| 4                                            | 78361 | 1   | Cable Assembly 20" – Spinner Motor |      |       |     |                                       |
| 5                                            | 78359 | 1   | Cable Assy, Spinner Motor – Chute  |      |       |     |                                       |
| <b>Item 1 78402 Vehicle-Side Harness Kit</b> |       |     |                                    |      |       |     |                                       |
| 8                                            | 69902 | 1   | Vehicle Control Harness            | 12   | 95836 | 1   | Fuse, 100A                            |
| 9                                            | 76057 | 1   | Vehicle Harness Assembly*          | 13   | 95837 | 1   | Fuse Holder/Isolated Stud Block       |
| 10                                           | 99759 | 1   | Plug Cover                         | ns   |       | 6   | HD Cable Tie, 25.25"                  |
| 11                                           | 22511 | 1   | 22" Battery Cable – Red            | ns   |       | 10  | Cable Tie, 5.35"                      |
| Electrical Box Components                    |       |     |                                    |      |       |     |                                       |
| 13                                           | 95837 | 1   | Fuse Holder/Isolated Stud Block    | 14   | 52385 | 1   | Spreader Module 4-Post                |

ns = not shown

\* Includes the plug cover (item 10).

# Striker™ HOPPER SPREADER

## CAB CONTROL



| 99534 Cab Control Kit |       |     |                                             |                               |       |     |                                                      |
|-----------------------|-------|-----|---------------------------------------------|-------------------------------|-------|-----|------------------------------------------------------|
| Item                  | Part  | Qty | Description                                 | Item                          | Part  | Qty | Description                                          |
| 1                     | 99774 | 1   | Cab Control 2-Knob                          | 2                             | 52345 | 1   | Cab Control Bracket Kit                              |
| Item 2                |       |     |                                             | 52345 Cab Control Bracket Kit |       |     |                                                      |
| 3                     |       | 1   | Control Bracket, Inner                      | 7                             |       | 2   | 1/4-20 x 1/2 Pan Head Machine Screw SS – Black Oxide |
| 4                     |       | 1   | Control Bracket, Outer                      | 8                             |       | 2   | 1/4 Shoulder Washer – Black Oxide                    |
| 5                     |       | 3   | #10 x 3/8 Tapping Screw SS                  | 9                             |       | 2   | 1/4 Lock Washer SS                                   |
| 6                     |       | 4   | #8-32 x 3/8 Phillips Pan Head Machine Screw | 10                            |       | 2   | 1/4-20 Hex Nut G5 – Black Oxide                      |
| G = Grade             |       |     |                                             | SS = Stainless Steel          |       |     |                                                      |

# Striker™ HOPPER SPREADER

---

## ACCESSORIES

| Accessory Kits |                                    |        |                                           |
|----------------|------------------------------------|--------|-------------------------------------------|
| Part           | Description                        | Part   | Description                               |
| 99139          | Chute Middle Section/Extension Kit | 78402† | Vehicle-Side Harness Kit                  |
| 99686          | License Plate Light Kit            | 99488  | Hopper Side Extension Kit                 |
| 99505-1        | Primary Work Light Kit             | 92532  | Truck Mount Kit, 2 Bars – 7' & 8' Hoppers |
| 99732-1        | Secondary Work Light Kit           | 92533  | Truck Mount Kit, 3 Bars – 9' Hopper       |
| 99494          | Strobe Light Kit                   | 99690  | Tie-Down Kit SH, Chain                    |
| 76668*         | Vibrator Kit                       |        |                                           |

\* Requires installation of 76669 Vibrator Adapter Service Kit.

† Contains all vehicle-side electrical components except control.

| Liquid Kits |                                      |       |                                  |
|-------------|--------------------------------------|-------|----------------------------------|
| Part        | Description                          | Part  | Description                      |
| 76400       | Standard Pump Kit, ON-OFF System     | 76425 | 50-Gallon Tank Kit (2 x 25 gal)  |
| 76420       | Deluxe Pump Kit, Full-Feature System | 76450 | 100-Gallon Tank Kit (2 x 50 gal) |
| 76405       | Pre-Wet Pump Switch Kit              |       |                                  |

# Striker™ HOPPER SPREADER

---



Western Products  
PO Box 245038  
Milwaukee, WI 53224-9538  
[www.westernplows.com](http://www.westernplows.com)

 A DIVISION OF DOUGLAS DYNAMICS, LLC

Copyright © 2022 Douglas Dynamics, LLC. All rights reserved. This material may not be reproduced or copied, in whole or in part, in any printed, mechanical, electronic, film, or other distribution and storage media, without the written consent of Western Products. Authorization to photocopy items for internal or personal use by Western Products outlets or spreader owner is granted.

Western Products reserves the right under its product improvement policy to change construction or design details and furnish equipment when so altered without reference to illustrations or specifications used. Western Products or the vehicle manufacturer may require or recommend optional equipment for spreaders. Do not exceed vehicle ratings with a spreader. Western Products offers a limited warranty for all spreaders and accessories. See separately printed page for this important information. The following are registered (®) or unregistered (™) trademarks of Douglas Dynamics, LLC: Striker™, WESTERN®.

**Printed in U.S.A.**