

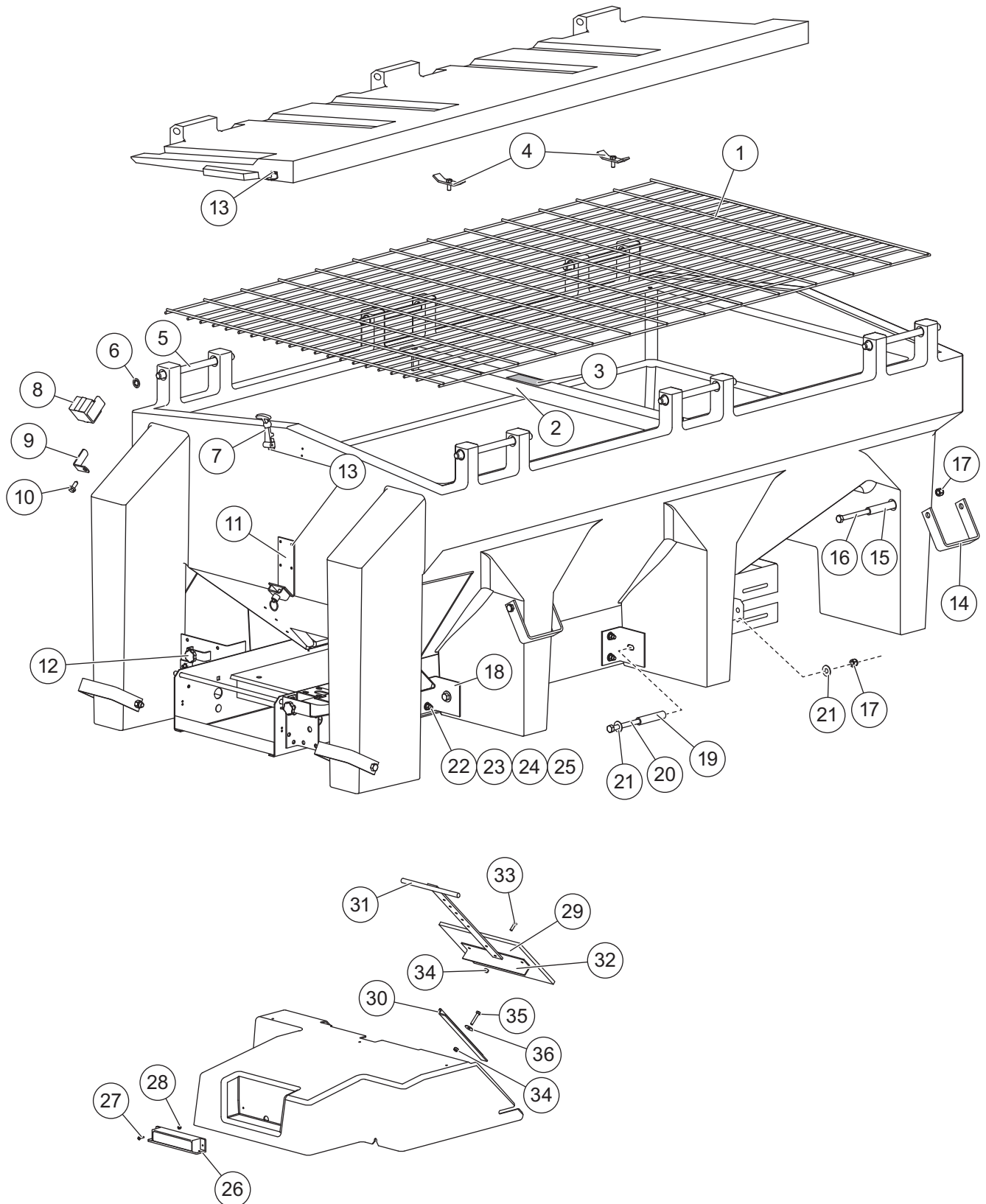


96000
Hopper and Drive Components
Tornado™ Hopper Spreader
Parts List

This Parts List is for WESTERN® Tornado Hopper Spreaders with serial numbers beginning with 0812-090224.

Tornado™ HOPPER SPREADER

HOPPER COMPONENTS

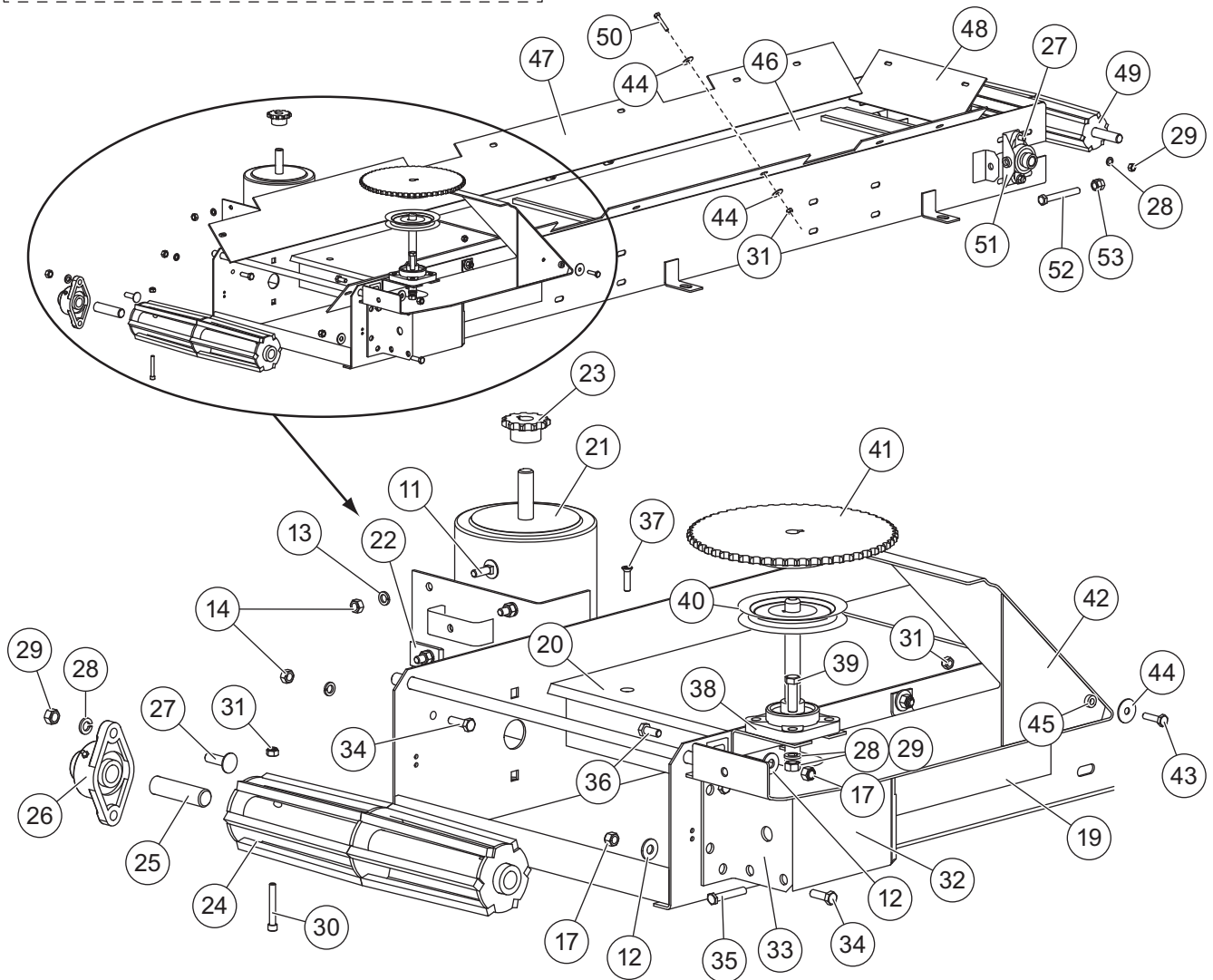
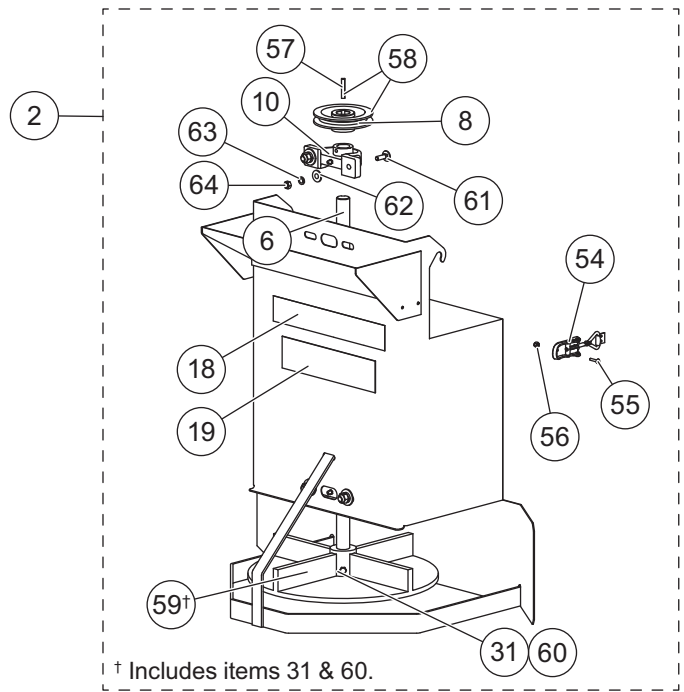
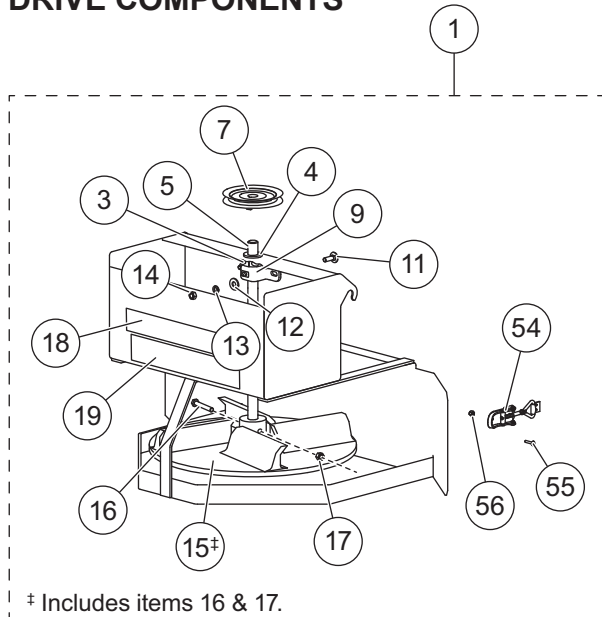


Tornado™ HOPPER SPREADER

Hopper Components							
Item	Part	Qty	Description	Item	Part	Qty	Description
1	95846-2	1	Top Screen	20	95826	4	1/2-13 x 5-1/2 Hex Cap Screw SS
2	96380-1	1	Top Screen Brace w/Label	21	68109	8	1/2 Flat Washer Wide SS
3	67272	1	Label – Caution, Do Not Lift	22	90375	16	3/8-16 x 1 Carriage Bolt
4	96038	2	Wing Bolt	23	91123	16	3/8 Flat Washer Wide SS
5	95817	6	Hinge Pin	24	91282	16	3/8 Lock Washer SS
6	95818	12	Hinge Pin Retainer	25	91431	16	3/8-16 Hex Nut
7	65224	2	Rubber Hold-Down Strap Assembly	26	65361	1	Center High Mounted Stoplight
8	61246	1	Cable Boot	27	90693	2	#6-32 x 3/4 Machine Screw
9	8289	1	Boot Bracket	28	91398	2	#6-32 Hex Locknut GB SS
10	96375	1	3/8 x 1 Sheet Metal Screw	29	95772	1	Poly Feed Gate
11	95897	1	Feed Gate Latch	30	95773	2	Feed Gate Guide
12	67158	2	1/4-20 x 1 Thumb Screw SS	31	95899	1	Feed Gate Handle
13	95829	16	3/16 Pop Rivet	32	95768	1	Feed Gate Stiffener
14	95848	6	Handle	33	67084	4	1/4-20 x 1 Machine Screw Phillips Head Countersunk
15	95812	6	5" Sleeve	34	67086	8	1/4-20 Hex Locknut GB SS
16	95825	6	1/2-13 x 7 Hex Cap Screw SS	35	96376	4	1/4-20 x 1-1/2 Hex Cap Screw SS
17	95834	10	1/2-13 Hex Locknut SS	36	67155	4	1/4 Flat Washer Special SS
18	95765	8	Hopper Mounting Bracket				
19	95830	4	4" Sleeve				
SS = Stainless Steel				G = Grade			

Tornado™ HOPPER SPREADER

DRIVE COMPONENTS



Tornado™ HOPPER SPREADER

Drive Components							
Item	Part	Qty	Description	Item	Part	Qty	Description
1	95785	1	Chute & Spinner Assembly, Standard	42	95814	1	Gear Box Cover
2	95950	1	Chute & Spinner Assembly, Extended	43	68067	2	1/4-20 x 1 Hex Cap Screw SS
3	65777	1	Locking Collar, 3/4 Bore	44	67155	25	1/4 Flat Washer Special SS
4	67114	1	3/4 Thrust Washer	45	67159	1	3/16 Spacer
5	95795	1	Spinner Shaft, Standard Chute	46	95757-1	1	Cleated Conveyor Belt
6	95960	1	Spinner Shaft, Extended Chute	47	95770-1	2	Side Belt Guard
7	95796-1	1	Pulley, 4-1/2 x 3/4 Bore	48	95771	1	Front Belt Guard
8	95745	1	Pulley, 4-1/2 x 1 Bore	49	95963	1	Conveyor Idler Roller Assembly
9	65776	2	Pillow Block Bearing, 3/4 Bore	50	96376	12	1/4-20 x 1-1/2 Hex Cap Screw SS
10	65636	2	Pillow Block Bearing, 1" Bore	51	95762	2	Bearing Plate
11	95850	8	5/16-18 x 3/4 Carriage Bolt SS	52	68620	2	1/2-13 x 4 Take-Up Bolt SS
12	90980	6	5/16 Flat Washer SS	53	67295	2	1/2-13 Hex Nut SS
13	91276	8	5/16 Spring Lock Washer SS	54	95819	2	Draw Latch
14	91430	8	5/16-18 Hex Nut SS	55	98020	8	#8-32 x 1/2 Machine Screw
15	94511	1	Poly Spinner Kit (incl. items 16 & 17)	56	91372	8	#8-32 Hex Locknut GB
16	94495	1	5/16-18 x 2-1/4 Hex Cap Screw SS	57	65174	1	1/4 x 1-1/2 Machine Key
17	91350	3	5/16-18 Hex Locknut GB SS	58	95943	1	Pulley Kit, 4-1/2 x 1 Bore
18	68737	1	Reflective Strip, Red/White	59	94513	1	Spinner Service Kit 14.5" Poly (includes items 31 & 60)
19	68584	3	Label – Warning/Caution, Spreader	60	94498	1	1/4-20 x 2-1/4 Hex Cap Screw SS
20	95769	1	Poly Floor	61	94321	4	7/16-14 x 1-1/2 Carriage Bolt G5
21	95755-2	1	1/2 hp Motor	62	94322	4	7/16 Flat Washer Wide SS
22	95730	1	Motor Brace	63	94323	4	7/16 Spring Lock Washer SS
23	95777	1	11-Tooth Sprocket #40	64	94324	4	7/16-14 Hex Locknut SS
24	68605	1	Conveyor Drive Roller	ns	95929	1	Conveyor Belt Lacing Pin
25	65753	1	Stub Shaft – Conveyor Roller	ns	78178-1	1	Spreader Module
26	68619	3	Flange Bearing, 3/4 Bore	ns	95938	1	Label – Caution, Spreader Module
27	68621	4	3/8-16 x 1-1/4 Carriage Bolt	ns	29217	1	Vehicle Power Cable
28	91282	8	3/8 Spring Lock Washer SS	ns	28585	1	Spreader Power Cable
29	91431	8	3/8-16 Hex Nut SS	ns	29221	1	Vehicle-Side Control Harness
30	95926	2	1/4-20 x 2 Hex Cap Screw G8	ns	95101	1	Cab Control
31	67086	14	1/4-20 Hex Locknut GB SS	ns	95744	1	Vehicle-Only Component Kit*
32	95756	1	Gear Box 20:1	ns	68794	1	CHMSL Harness Kit
33	95809	2	Gear Box Mounting Bracket	ns	29253	1	Motor Cable
34	90551	5	5/16-18 x 1 Hex Cap Screw SS	ns	95778	1	Drive Chain #40
35	99249	8	M8 x 1.25 x 16 Hex Cap Screw SS	ns	95894	1	#40 Chain Master Link
36	93162	2	5/16-18 x 3/4 Hex Cap Screw SS	ns	95836	1	100A Fuse
37	67084	8	1/4-20 x 1 Machine Screw Phillips Head Countersunk	ns	95837	1	Fuse Holder
38	68662	1	Flange Bearing 4-Bolt, 5/8 Bore	ns	22511	1	22" Battery Cable
39	98378	4	3/8-16 x 1-1/4 Hex Cap Screw SS	ns	94691	1	V-Belt
40	65765	1	Pulley, 4-1/2 x 5/8 Bore	ns	29249-1	1	Motor Wire – Black
41	95776	1	55-Tooth Sprocket #40	ns	29251-1	1	Motor Wire – Red

ns = not shown

SS = Stainless Steel

M = Metric

G = Grade

* Cab control not included.

Tornado™ HOPPER SPREADER



Western Products
PO Box 245038
Milwaukee, WI 53224-9538
www.westernplows.com

 A DIVISION OF DOUGLAS DYNAMICS, LLC

Copyright © 2019 Douglas Dynamics, LLC. All rights reserved. This material may not be reproduced or copied, in whole or in part, in any printed, mechanical, electronic, film, or other distribution and storage media, without the written consent of Western Products. Authorization to photocopy items for internal or personal use by Western Products outlets or spreader owner is granted.

Western Products reserves the right under its product improvement policy to change construction or design details and furnish equipment when so altered without reference to illustrations or specifications used. Western Products or the vehicle manufacturer may require or recommend optional equipment for spreaders. Do not exceed vehicle ratings with a spreader. Western Products offers a limited warranty for all spreaders and accessories. See separately printed page for this important information. The following are registered (®) or unregistered (™) trademarks of Douglas Dynamics, LLC: Tornado™, WESTERN®.

Printed in U.S.A.