



WESTERN PRODUCTS
P.O. BOX 245038
MILWAUKEE, WI 53224-9538

 A DIVISION OF DOUGLAS DYNAMICS, L.L.C.



8-1/2' Blade and A-Frame No. 62600
Lift Box No. 62650
Hydraulics Box No. 66587
Headlamp Kit No. 66640

April 5, 2004

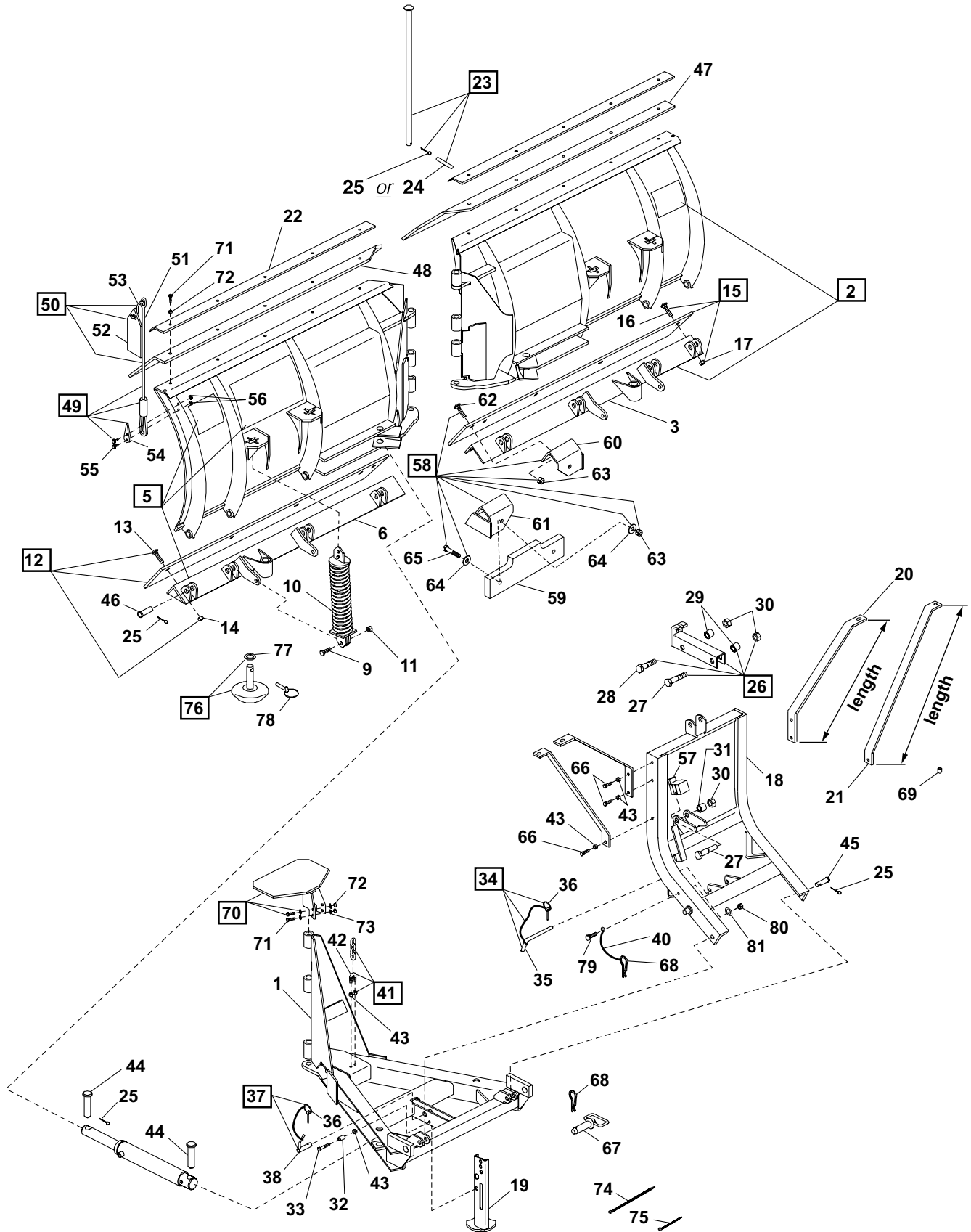
8-1/2' MVP[®] Snowplow Assembly Parts List

**These pages cover service parts lists for the
Blade and A-Frame, Lift Box, Hydraulics Box,
and Headlamp Kit for the MVP[®] Snowplow.**

**See the MVP[®] Snowplow Vehicle and Plow Mount
Parts Lists for parts in the Mount Assembly Box.**

MVP® SNOWPLOW ASSEMBLY PARTS LIST

BLADE AND A-FRAME NO. 62600 & LIFT FRAME BOX NO. 62650



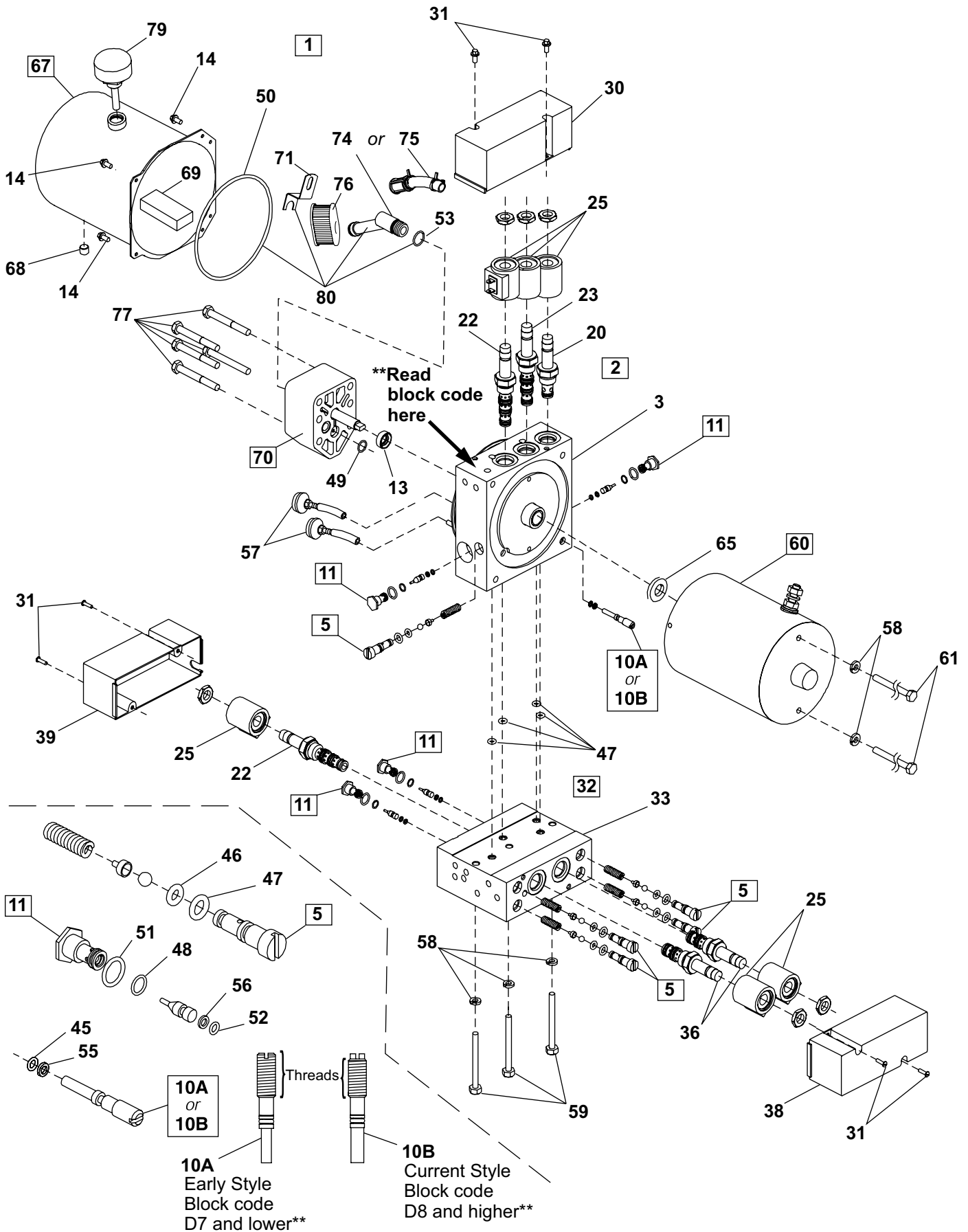
MVP® SNOWPLOW ASSEMBLY PARTS LIST

BLADE AND A-FRAME NO. 62600 & LIFT FRAME BOX NO. 62650

ITEM	PART NO.	QTY.	DESCRIPTION	ITEM	PART NO.	QTY.	DESCRIPTION
1	62601	1	A-FRAME U V	58	62636	1	MVP CENTER FLAP KIT
2	62645	1	WING - PS	59	. 63508	1	RUBBER FLAP
3	. 64030	1	BASE ANGLE - PS	60	. 63509	1	PS MOUNTING PLATE WELDMENT
5	62652	1	WING - DR	61	. 63510	1	DS MOUNTING PLATE WELDMENT
6	. 64029	1	BASE ANGLE - DS	62	. 90238	4	1/2-13X1-3/4 CB G8 BPO
9	91003	4	7/16-14 .50X1.5 HX SH BLT G5 ZYC	63	. 91335	6	1/2-13 PT HX LK NUT NYIS ZYC
10	21452	4	REMOVABLE SPRING ASSEMBLY	64	. 91105	4	1/2 PLAIN WASHER TY A STD ZYC
11	90353	4	7/16-14 PT HX LKNUT TI ZYC	65	. 90104	2	1/2-13X2-1/2 HX CS G5 ZYC
12	62649	1	CUTTING EDGE ASSY MVP DS	66	90040	6	3/8-16X1-1/4 HX CS G5 ZYC
13	. 90238	5	1/2-13X1-3/4 CB G8 BPO	67	93028K	2	HITCH PIN 1" X 3-1/2"
14	. 91335	5	1/2-13 PT HX LK NUT NYIS ZYC	68	91965K	4	HAIRPIN COTTER 5/32"
15	63284	1	CUTTING EDGE ASSY MVP PS	69	61482	2	VINYL CAP 1/2X1/2
16	. 90238	5	1/2-13X1-3/4 CB G8 BPO	70	62635	1	CENTER DEFLECTOR ASSY
17	. 91335	5	1/2-13 PT HX LK NUT NYIS ZYC	71	. 90020	4	5/16-18X1 HX CS G2 ZYC
18	62620	1	LIFT FRAME U V		90020	10	5/16-18X1 HX CS G2 ZYC
19	61353	1	STAND	72	. 91332	4	5/16-18 PT HX LK NUT NYIS ZYC
20	61552	2	LIGHT BRACKET TOP (22" Length)		91332	10	5/16-18 PT HX LK NUT NYIS ZYC
	or			73	. 91102	8	5/16 PLAIN WASHER TY A STD ZYC
	63583	2	LIGHT BRACKET TOP (15-3/4 Length)	74	61536	3	CABLE TIE - LONG
21	61553	2	LIGHT BRACKET BOTTOM (27" Length)	75	59223	4	CABLE TIE
	or			76	62637	2	DISC SHOE ASSY V
	63584	2	LIGHT BRACKET BOTTOM (21" Length)	77	. 91109	5	WASHER - SPECIAL ZYC
22	21618	2	V-PLOW BOLTING BAR	78	. 93010K	1	LINCH PIN 7/16" X 1-3/4"
23	62638	1	PIVOT PIN KIT	79	63571	2	1/4-20X3/4 WLF SCREW ZYC
24	. 26463	1	1/4"X2" SPRING PIN	80	91331	2	1/4-20 PT HX LK NUT NYIS ZYC
	or			81	90311	2	1/4 FLAT WASHER
25	. 91911	1	5/32X1-1/2 COTTER PIN ZYC	Parts listed above may be found in one of the following:			
	91911	14	5/32X1-1/2 COTTER PIN ZYC	* 62646	1	BOLT BAG (62650)	
26	62643	1	LIFT CHANNEL KIT U V	* 62634	1	PARTS BAG ASSY (62650)	
27	. 63208	1	3/4-10X3-3/4 HX CS G5 ZYC	Service Parts Kit			
	63208	1	3/4-10X3-3/4 HX CS G5 ZYC	* 61941K	1	UniMount® RETAINER PIN KIT	
28	. 63207	1	3/4-10X3-1/4 HX CS G5 ZYC SPL	(Includes items 36 & 68 quantities as shown)			
29	. 63211	2	SPACER .758 ID X1.0 OD X.5 LG	* 63540	1	MVP KIT - WEAR EDGES	
30	. 91339	2	3/4-10 PT HX JAM LK NUT NYIS ZYC	(Includes items 12, 15, & 58 quantities as shown)			
	91339	1	3/4-10 PT HX JAM LK NUT NYIS ZYC	* 28547	1	BLADE LABEL KIT, UniMount	
31	63212	1	SPACER .758 ID X1.0 OD X.69 LG	* 28407	1	CUTTING EDGE KIT - SINGLE, 1/2" THICK (OPTIONAL ACCESSORY)	
32	61487	1	SPACER .56 OD X.39 ID X.965 LG	* 28409	1	CUTTING EDGE KIT / CENTER FLAP KIT - 1/2" THICK (OPTIONAL ACCESSORY)	
33	90043	1	3/8-16X2 HX CS G5 ZYC	* Not Shown.			
34	63585	1	STAND PIN ASSEMBLY	Indented parts are included in the assembly under which they are listed. Quantities shown are included with the assembly.			
35	. 93033K	1	PIN 1/2" X 5.5"	For a list of abbreviations, see page 4.			
36	. 93042K	1	LINCH PIN 3/16"				
37	63586	1	LOCK PIN ASSEMBLY				
38	. 93034K	1	STAND LOCK PIN 5/8" X 2"				
36	. 93042K	1	LINCH PIN 3/16"				
40	63563	2	LANYARD .05X6				
41	49033	1	REPLACEMENT CHAIN ASSY				
42	. 90496	1	3/8-16 X 1-1/2 U-BOLT ZYC				
43	. 91333	2	3/8-16 PT HX LK NUT NYIS ZYC				
	91333	7	3/8-16 PT HX LK NUT NYIS ZYC				
44	93077K	4	RIVET 1" X 4"				
45	93040K	2	CLEVIS PIN				
46	5523	8	3/4"X2-3/16" MACHINE PIN				
47	62613	1	RUBBER DEFLECTOR PS				
48	62614	1	RUBBER DEFLECTOR (LOGO) DS				
49	59700	1	BLADE GUIDE ASSY				
50	. 59697	2	BLADE GUIDE ROD, S-HOOK & FLAG				
51	. . 59691	1	BLADE GUIDE ROD				
52	. . 59694K	1	BLADE GUIDE FLAG				
53	. . 59696	1	S-HOOK				
*	. 59699	1	BOLT BAG ASSY				
54	. . 59946	2	CLAMP				
55	. . 90020	4	5/16-18X1 HX CS G2 ZYC				
56	. . 91332	4	5/16-18 PT HX LK NUT NYIS ZYC				
57	61246	1	CABLE BOOT				

MVP® SNOWPLOW ASSEMBLY PARTS LIST

HYDRAULICS BOX NO. 66587



MVP® SNOWPLOW ASSEMBLY PARTS LIST

HYDRAULICS BOX NO. 66587

ITEM	PART NO.	QTY.	DESCRIPTION
1	66780	1	HYDRAULIC UNIT - MVP
2	66774	1	PRIMARY VALVE MANIFOLD ASSY W/ CARTRIDGES, COILS, COVERS
3	66776	1	PRIMARY MANIFOLD ASSY W/O CARTRIDGES, COILS, COVERS
(Both Primary Manifold Assemblies include item 47 (4), 49 (1), 50)			
5	49138K	1/2	RELIEF VALVE KIT - 2 SETS
10A	66509	1	QUILL ASSY
or			
10B	56662	1	QUILL ASSY
11	66785	2	PILOT - CHECK VALVE KIT
13	66515	1	PUMP SHAFT SEAL
14	66607	4	#10-24X5/16 MACHINE SCREW
20	49227K	1	CARTRIDGE 20 W/JAM NUT
*	49258	1	SEAL KIT - CARTRIDGE 20
22	49229K	1	CARTRIDGE 40 W/JAM NUT
23	66783K	1	CARTRIDGE 43 W/JAM NUT
*	49259	1	SEAL KIT - CARTRIDGE 30, 31, 33, 40, 43
25	49230K	3	COIL W/SPADE TERMINALS
30	66396	1	COVER ASSY V-PLOW 4-4-2
31	90650	2	#8-32X1/2 TORX HXW TCTS TY D ZYC
32	66786	1	SECONDARY VALVE MANIFOLD ASSY W/ CARTRIDGES, COILS, COVERS
33	66772	1	SECONDARY MANIFOLD ASSY W/O CARTRIDGES, COILS, COVERS
(Both Secondary Manifold Assemblies include item 47 (4))			
5	49138K	2	RELIEF VALVE KIT - 2 SETS
11	66785	2	PILOT - CHECK VALVE KIT
36	49228K	2	CARTRIDGE 30 W/JAM NUT
22	49229K	1	CARTRIDGE 40 W/JAM NUT
*	49259	1	SEAL KIT - CARTRIDGE 30, 31, 33, 40, 43
25	49230K	3	COIL W/SPADE TERMINALS
38	66397	1	COVER ASSY V-PLOW 3-3
39	66398	1	COVER ASSY V-PLOW 4 WAY
31	90650	4	#8-32X1/2 TORX HXW TCTS TY D ZYC
*	56657	1	O-RING AND BACK-UP RING KIT - SOL
(For Primary and Secondary Manifold Relief Valves, Check Valves and Quill Assembly. Above listed Kits include back-up and o-rings.)			
45	25622	1	O-RING -006
46	55371	5	O-RING -008, 90 DUROMETER (black)
47	25731	9	O-RING -010
48	66627	4	O-RING -011
49	56274	1	O-RING -013
50	66519	1	O-RING 2-250
51	56569	4	O-RING -906
52	56776	4	O-RING -008, RED, 70 DUROMETER
53	56416	1	O-RING -014
55	56315	1	BACK-UP RING -006
56	66628	4	BACK-UP RING -008
57	66405	2	RETURN SCREEN ASSY
58	91201	3	1/4" SP LK WASHER ZYC
59	66597	3	1/4-20X2-1/2 HX CS G5 ZYC
60	21500	1	MOTOR ASSY 4-1/2"
(See next page for motor service parts)			
67	66631	1	RESERVOIR KIT MVP (Kit includes Items 14 (4), 50)
68	92095	1	PLUG 1/4 NPTF HX SO THREAD SEAL
69	73897	1	MAGNET
70	21501	1	HYD PUMP KIT - FS
74	66763	1	INLET FITTING/FILTER KIT (Kit includes 49, 50, 53)
80	28479	1	INLET FITTING KIT
71	-	1	RETAINER CLIP
75	66599	1	PICK-UP TUBE ASSY (Early pumps with hose clamps—includes Item 76)
76	56789	1	SUCTION FILTER KIT
77	90073	5	5/16-18X2-1/4 HEX CAP SCREW G5
79	66525	1	RESERVOIR FILLER BREATHER PLUG

* Not Shown.

Parts furnished in the hydraulics box and installed on the vehicle are shown in the mount box instructions.

Indented parts are included in the assembly under which they are listed.

Quantities shown are included with the assembly.

Abbreviation Key

AD	Adapter	OM	Owner's Manual
AFB	Ampere, Fast Blow	OP	Operational
ASSY	Assembly	PC	Printed Circuit
BPO	Black Phosphate & Oil	PH	Cross Recessed (Phillips Head)
BZP	Black Zinc Plate	PN	Pan
CB	Carriage Bolt	PS	Passenger Side
CS	Cap Screw	PT	Prevailing Torque
CU	Curb Side	RD	Round
CYL	Cylinder	SAE	Society of Automotive Engineers
DA	Double-Acting	SH BLT	Shoulder Bolt
DR	Driver Side	SL	Slotted
DS	Driver Side	SO	Socket Head
EA	Each	SOL	Solenoid
ELL	Elbow	SP	Spring
F	Female	SPDT	Single Pole Double Throw
FS	FloStat® Hydraulic System	SPL	Special
G	Grade	STD	Standard
HD	Heavy Duty	STS	Stainless Steel
HX	Hex	SYS	System
HXW	Hex Washer	TCTS	Thread Cutting Tapping Screw
HYD	Hydraulic	TFTS	Thread Forming Tapping Screw
ID	Inside Diameter	TI	Thread Interference
INST	Installation Instructions	TY	Type
LG	Long	U	UniMount® System
LK	Lock	V	MVP
MS	Machine Screw	W/	With
MVP	Multiposition V Plow	WLF	Whiz-Lock Flange
NPSM	National Pipe Straight Thread for Mechanical Joints	W/O	Without
NPTF	National Pipe Thread (Fluid)	WP	Western Products
NYIS	Nylon Insert	ZYC	Zinc Yellow Chromate
OD	Outside Diameter		

MVP® SNOWPLOW ASSEMBLY PARTS LIST

HYDRAULICS BOX NO. 66587

Motor Manufacturer Identification and Service Parts

Photos show terminal positions and end caps for brand identification.
(Motors shown with flanges. Flanges are not used in MVP® applications.)



Bosch 1 Terminal (Early)

ITEM	PART NO.	QTY.	DESCRIPTION
*	21548	1	BRUSH KIT - BOSCH 1 TERMINAL
61	21508	2	CS HX 1/4-20 X 6-1/4 G5 ZYC
58	91201	2	WASHER SP LK 1/4
65	21535	1	WASHER, FIBER THRUST 5/8 (drive end)
*	56397	1	BOLT BAG ASSY GROUND HARDWARE

Bosch 2 Terminal

ITEM	PART NO.	QTY.	DESCRIPTION
*	56620	1	BRUSH KIT - BOSCH 2 TERMINAL
61	21508	2	CS HX 1/4-20 X 6-1/4 G5 ZYC
58	91201	2	WASHER SP LK 1/4
65	21535	1	WASHER, FIBER THRUST 5/8 (drive end)

* Not Shown.

Parts furnished in the hydraulics box and installed on the vehicle are shown in the mount box instructions.

Indented parts are included in the assembly under which they are listed.

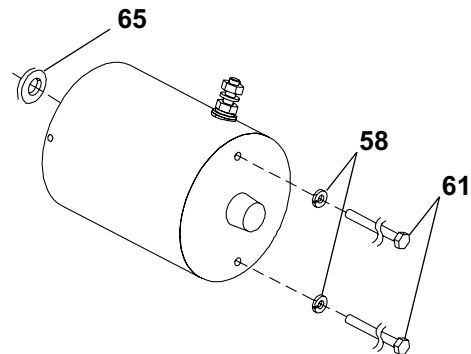
Quantities shown are included with the assembly.

For a list of abbreviations, see page 4.



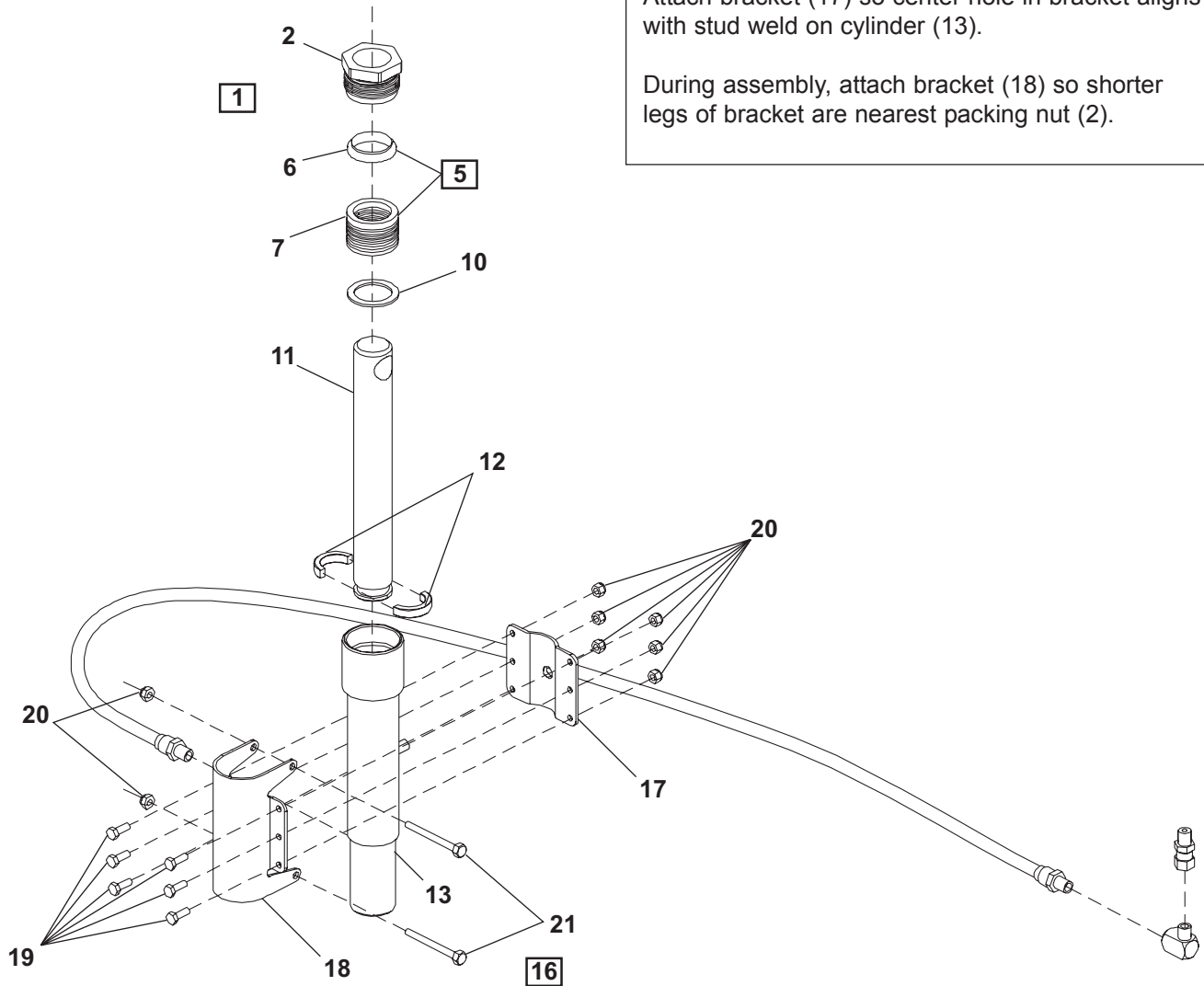
Prestolite 2 Terminal

ITEM	PART NO.	QTY.	DESCRIPTION
*	56638	1	END CAP W/ O-RING - PRESTOLITE 2 TERMINAL
*	56622	1	BRUSH KIT - PRESTOLITE 2 TERMINAL
61	56621	1	THRU-BOLT KIT - PRESTOLITE 2 TERMINAL (Includes cap screws and special washers)
65	56641	1	THRUST WASHER KIT - PRESTOLITE 2 TERMINAL (Includes retaining ring for early production)



MVP® SNOWPLOW ASSEMBLY PARTS LIST

HYDRAULICS BOX NO. 66587



ITEM	PART NO.	QTY.	DESCRIPTION
1	66722	1	RAM ASSY 1-1/2" X 8"
2	. 25944K	1	PACKING NUT 1-1/2"
5	. 25205K	1	PACKING SET W/WIPER 1-1/2"
6	. . 55137	1	WIPER RING 1-1/2"
7	. . 55136	1	PACKING SET 1-1/2"
10	. 91167	1	WASHER - SPECIAL
11	. 56534	1	PLUNGER 1-1/2" X 8" RAM
12	. 62290	2	SPLIT BEARING 1-1/2"
13	. 66721	1	CYLINDER 1-1/2" X 8"
16	66778	1	MOUNTING BRACKET KIT (WP)
17	. 56504	1	CYLINDER MOUNT BRACKET
18	. 67387	1	CYLINDER MOUNT BRACKET

ITEM	PART NO.	QTY.	DESCRIPTION
19	. 90461	6	1/4-20X3/4 HX CS G5 ZYC
20	. 91331	8	1/4-20 PT HX LK NUT NYIS ZYC
21	. 90010	2	1/4-20X2-3/4 HX CS G5 ZYC

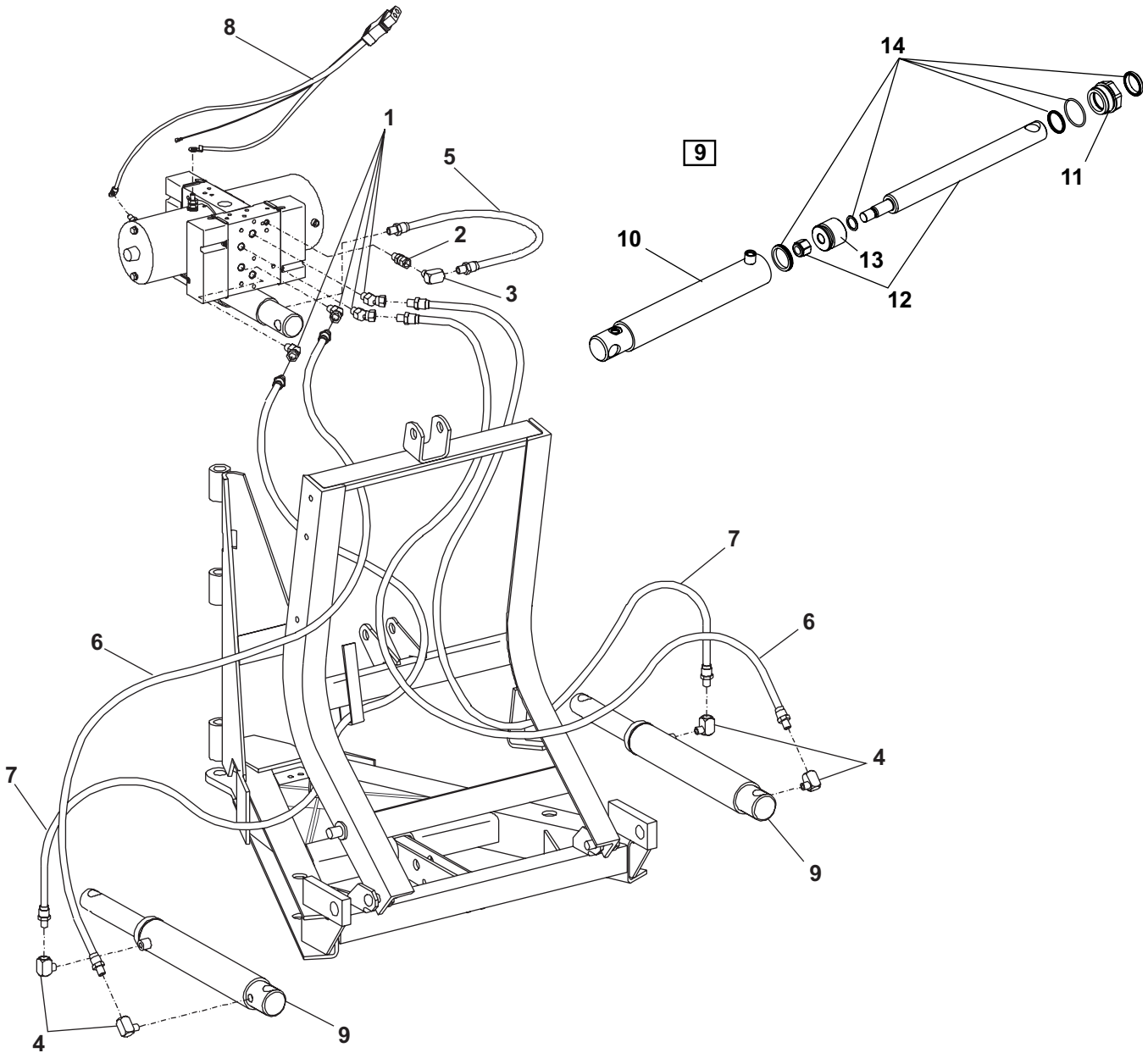
Parts furnished in the hydraulics box and installed on the vehicle are shown in the mount box instructions.

Indented parts are included in the assembly under which they are listed. Quantities shown are included with the assembly.

For a list of abbreviations, see page 4.

MVP® SNOWPLOW ASSEMBLY PARTS LIST

HYDRAULICS BOX NO. 66587



ITEM	PART NO.	QTY.	DESCRIPTION
1	92190K	4	SWIVEL HOSE FITTING 1/4" X 45 DEG
2	66562K	1	STRAIGHT UNION ADAPTER KIT
3	92210K	1	STREET ELBOW 1/4" X 90 DEG
4	56539K	4	ELBOW, 90F -6 O-RING-1/4 NPTF
5	56224K	1	1/4 X 18 PRESSURE HOSE KIT
6	4424K	2	1/4 X 36 HIGH PRESSURE HOSE KIT
7	55020K	2	PRESSURE HOSE 1/4" X 38"
8	66624	1	PLOW CABLE ASSEMBLY

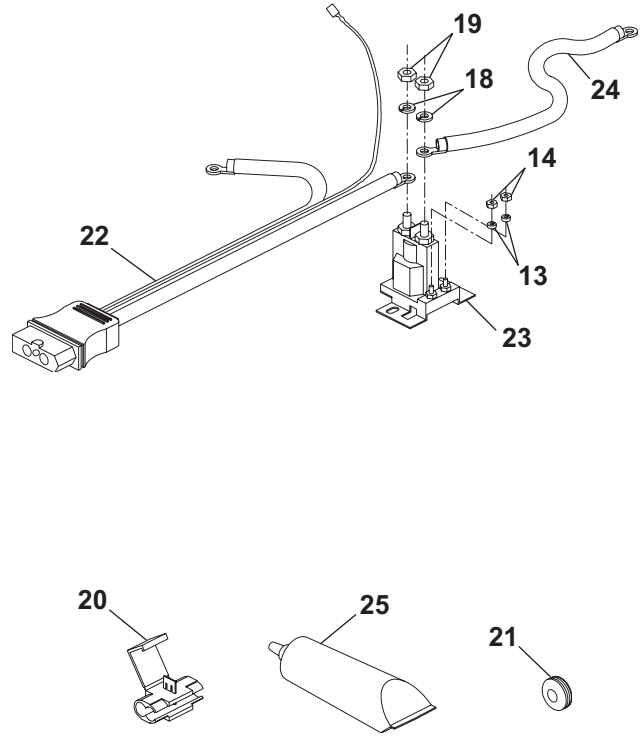
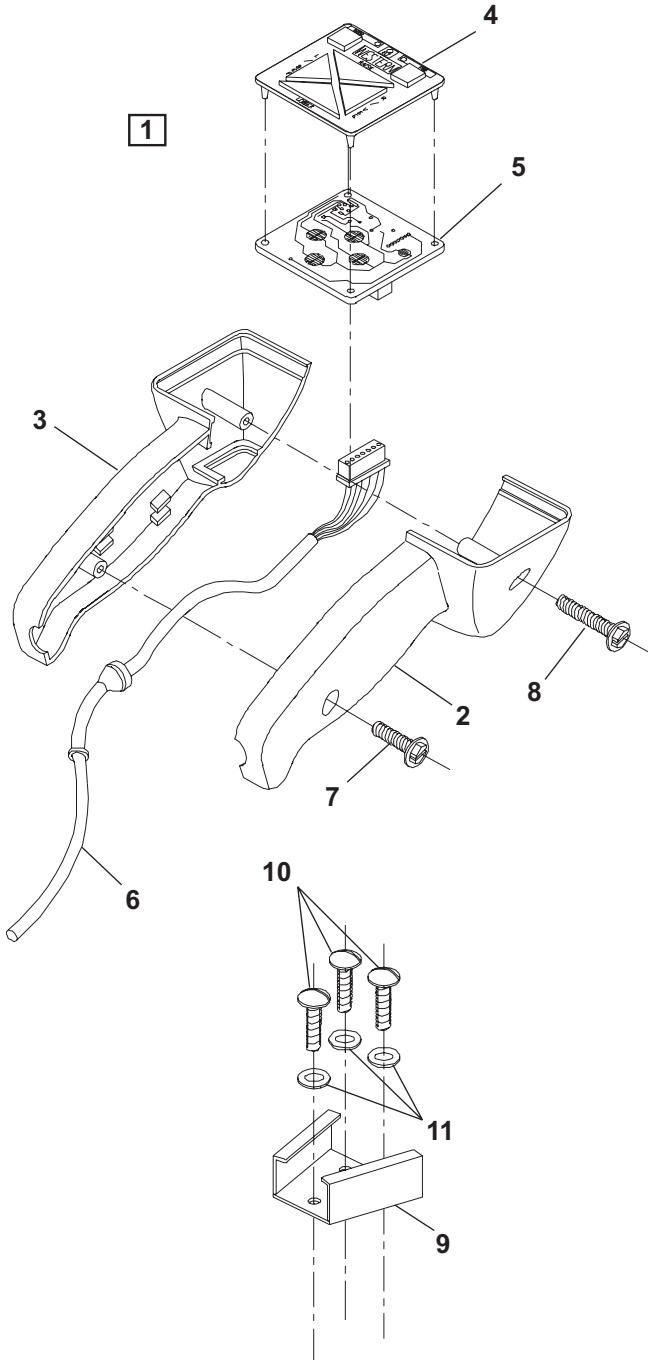
ITEM	PART NO.	QTY.	DESCRIPTION
9	56709W	1	KIT, DA RAM 2X10 (includes 4 of item 4)
10	64311	1	2X10 DA CYL WELDMENT KIT
11	56579	1	GLAND NUT POLYPAC SEAL
12	66394	1	2X10 DA CYLINDER ROD KIT
13	56677	1	SEAL KIT W/ PISTON, 2" DA RAM
14	56669	1	SEAL KIT 2" DA RAM

Indented parts are included in the assembly under which they are listed. Quantities shown are included with the assembly.

For a list of abbreviations, see page 4.

MVP® SNOWPLOW ASSEMBLY PARTS LIST

HYDRAULICS BOX NO. 66587



ITEM	PART NO.	QTY.	DESCRIPTION
1	66635	1	HAND-HELD CONTROL (MVP)
2	49320	1	CONTROL BODY-RIGHT
3	49321	1	CONTROL BODY-LEFT
4	66792	1	KEYPAD ASSEMBLY (MVP)
5	66793	1	PC BOARD ASSEMBLY (MVP) SERVICE
6	66633	1	HARNESS V PLOW COIL CORD
7	93173	1	#8-18X3/4 SL HXW TFTS HILO
8	93174	1	#8-18X1-1/4 SL HXW TFTS HILO
*	69190	1	FUSE KIT V PLOW PKG OF 5
9	56436	1	CONTROL BRACKET

ITEM	PART NO.	QTY	DESCRIPTION
10	80135	3	#6X1 PH PN TCTS TY F ZYC
11	91230	3	#6 SP LK WASHER ZYC
*	91098	2	#10 PLAIN WASHER TY A ZYC
13	91242	2	#10 SP LK WASHER BZP
14	91402	2	#10-32 HX NUT ZYC
*	90002	2	1/4-20-X3/4 HX CS G2 ZYC
*	91101	2	1/4 PLAIN WASHER TY A STD ZYC
*	91331	2	1/4-20 PT HX LK NUT NYIS ZYC
18	91202	2	5/16 SP LK WASHER ZYC
19	92842	2	5/16-24 HX JAM NUT ZYC
20	59114	1	SELF STRIP WIRE CONNECTOR
21	66130	1	RUBBER GROMMET
22	66623	1	VEHICLE CABLE ASSEMBLY
23	56131K	1	MOTOR RELAY KIT
24	22511	1	BATTERY CABLE 22" RED
	20681	1	50" BATTERY CABLE
25	56099	1	DIELECTRIC GREASE TUBE
			.25 oz. SIZE
	49326	1	WESTERN DIELECTRIC GREASE
			TUBE 2 oz.
*	66760K	1	V PLOW ADAPTOR CABLE KIT
			(For straight blade use with MVP vehicle harness.)

* Not Shown.

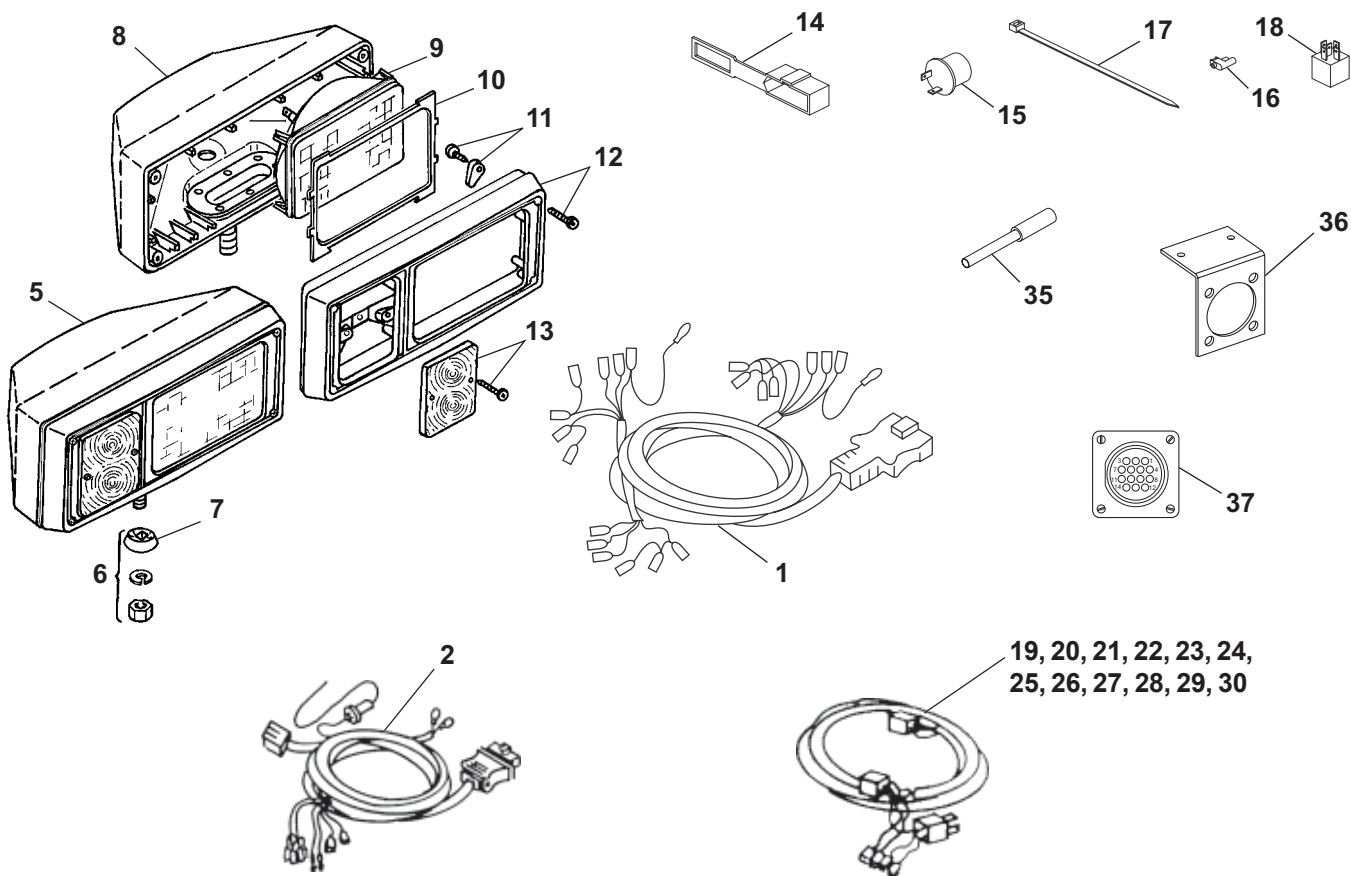
Parts furnished in the hydraulics box and installed on the vehicle are shown in the mount box instructions.

Indented parts are included in the assembly under which they are listed. Quantities shown are included with the assembly.

For a list of abbreviations see page 4.

MVP® SNOWPLOW ASSEMBLY PARTS LIST

HEADLAMP KIT NO. 66640-1



19, 20, 21, 22, 23, 24,
25, 26, 27, 28, 29, 30

ITEM	PART NO.	QTY.	DESCRIPTION
1	66611	1	PLOW HARNESS 12-PIN V
2	66610	1	VEHICLE HARNESS KIT 12-PIN
*	61543	1	HEADLAMP PAIR (W/O Plow Harness)
*	61541	1	HEADLAMP DR
5	61542	1	HEADLAMP CU
6	49151	1	SWIVEL AND HARDWARE ASSY
7	49012	1	HEADLAMP SWIVEL
8	49298	1	HEADLAMP HOUSING ASSY (Fits DS or PS)
9	49297	1	REPLACEMENT SEALED BEAM (2E1)
10	49210	1	HEADLAMP GASKETS (1 Pair)
11	49201	1	RETAINING FINGER & FASTENER (4 each)
12	49203	1	BEZEL W/FASTENERS (Fits DS or PS)
13	49202	1	PARK/TURN LENS W/FASTENERS
*	49262	1	PARK/TURN REPLACEMENT SOCKET
**		4	PARK/TURN SIGNAL BULB - (Trade Number 1157)
14	61548K	2	PLUG COVER KIT
15	60109	1	FLASHER HD
16	59224	3	BULLET RECEPTACLE CONNECTOR
17	59223	8	CABLE TIE
18	61535K	1	RELAY KIT
†19	26009	1	PLUG-IN HARNESS HB-1(9004) -F
†20	26027	1	PLUG-IN HARNESS HB-5/HB-1 -F
†21	26071	1	PLUG-IN HARNESS HB-3&4 -F
†22	61546	1	PLUG-IN HARNESS 2B/2D
†23	61571	1	PLUG-IN HARNESS HB-1(9004) -A

ITEM	PART NO.	QTY.	DESCRIPTION
†24	61581	1	PLUG-IN HARNESS LF & UF -A
†25	61591	1	PLUG-IN HARNESS HB-5 -A
†26	61716	1	PLUG-IN HARNESS HB-3 & HB-4 -A
†27	62526	1	PLUG-IN HARNESS HB-1(9004) -C
†28	22241	1	PLUG-IN HARNESS KIT 1A & 2A -C
†29	62511	1	PLUG-IN HARNESS 2B/2D LG -A
†30	63413	1	PLUG-IN HARNESS HB-5 -G
35	66767	1	PIN REMOVAL TOOL ASSY
36	66634	1	BRACKET V-PLOW VEHICLE HARNESS
37	56497	1	CONNECTOR HSG, 14 PIN
*	22123	1	SIGNAL CONTACT, PACKAGE OF 10

Parts listed above may be found in one of these assemblies.

- * 66639 1 CARTON ASSY LOOSE PARTS
- * 66641 1 BOLT BAG ASSY LARGE
- * 66404 1 BOLT BAG SMALL (All parts in this bag are used on the vehicle installation.)

* Not Shown.

** Not a service part.

† Item not part of the headlight kit 66640-1. Must be ordered separately according to vehicle application.

Parts furnished in the hydraulics box, and installed on the vehicle, are shown in the mount box instructions.

Indented parts are included in the assembly under which they are listed. Quantities shown are included with the assembly.

For a list of abbreviations, see page 4.



WESTERN PRODUCTS
P.O. BOX 245038
MILWAUKEE, WI 53224-9538

 A DIVISION OF DOUGLAS DYNAMICS, L.L.C.

Copyright © 2004 Douglas Dynamics, L.L.C. All rights reserved. This material may not be reproduced or copied, in whole or in part, in any printed, mechanical, electronic, film or other distribution and storage media, without the written consent of Western Products. Authorization to photocopy items for internal or personal use by Western Products outlets or snowplow owner is granted.

Western Products reserves the right under its product improvement policy to change construction or design details and furnish equipment when so altered without reference to illustrations or specifications used. Western Products and the vehicle manufacturer may require and/or recommend optional equipment for snow removal. Do not exceed vehicle ratings with a snowplow. Western Products offers a limited warranty for all snowplows and accessories. See separately printed page for this important information. The following are registered (®) trademarks of Douglas Dynamics, L.L.C.: FloStat®, MVP®, UniMount®, and WESTERN®.