



HD UTV V-Plow

Blade Assembly 74360

Attachment Assembly 77865

Parts List and Accessories

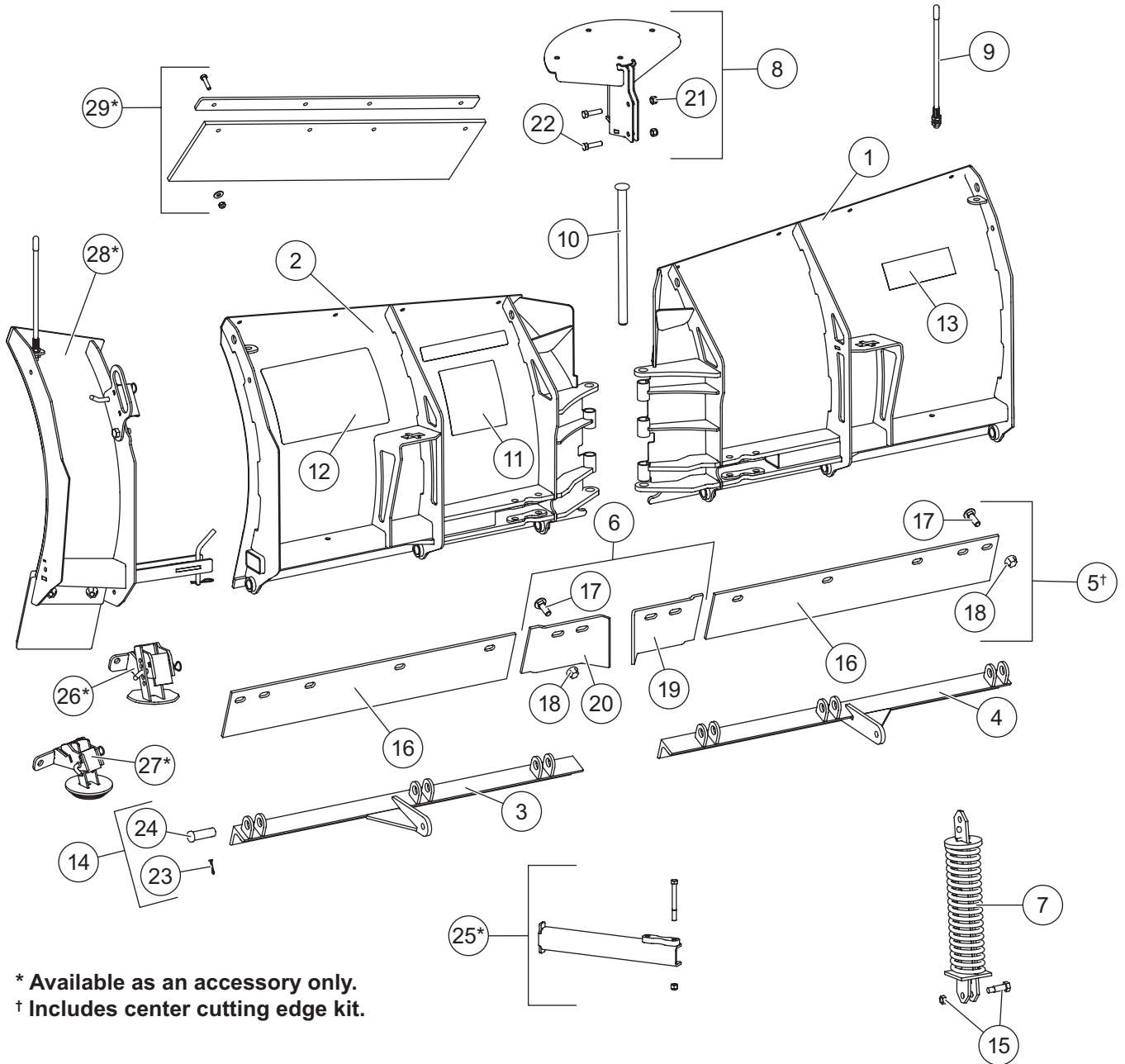


TABLE OF CONTENTS

IMPACT™ BLADE ASSEMBLY	4
HEADGEAR AND T-FRAME ASSEMBLY	6
HYDRAULIC COMPONENTS	6
Hydraulic Unit.....	8
Lift and Angle Rams	10
Hoses and Fittings.....	11
VEHICLE-SIDE HARNESS DIAGRAM	12

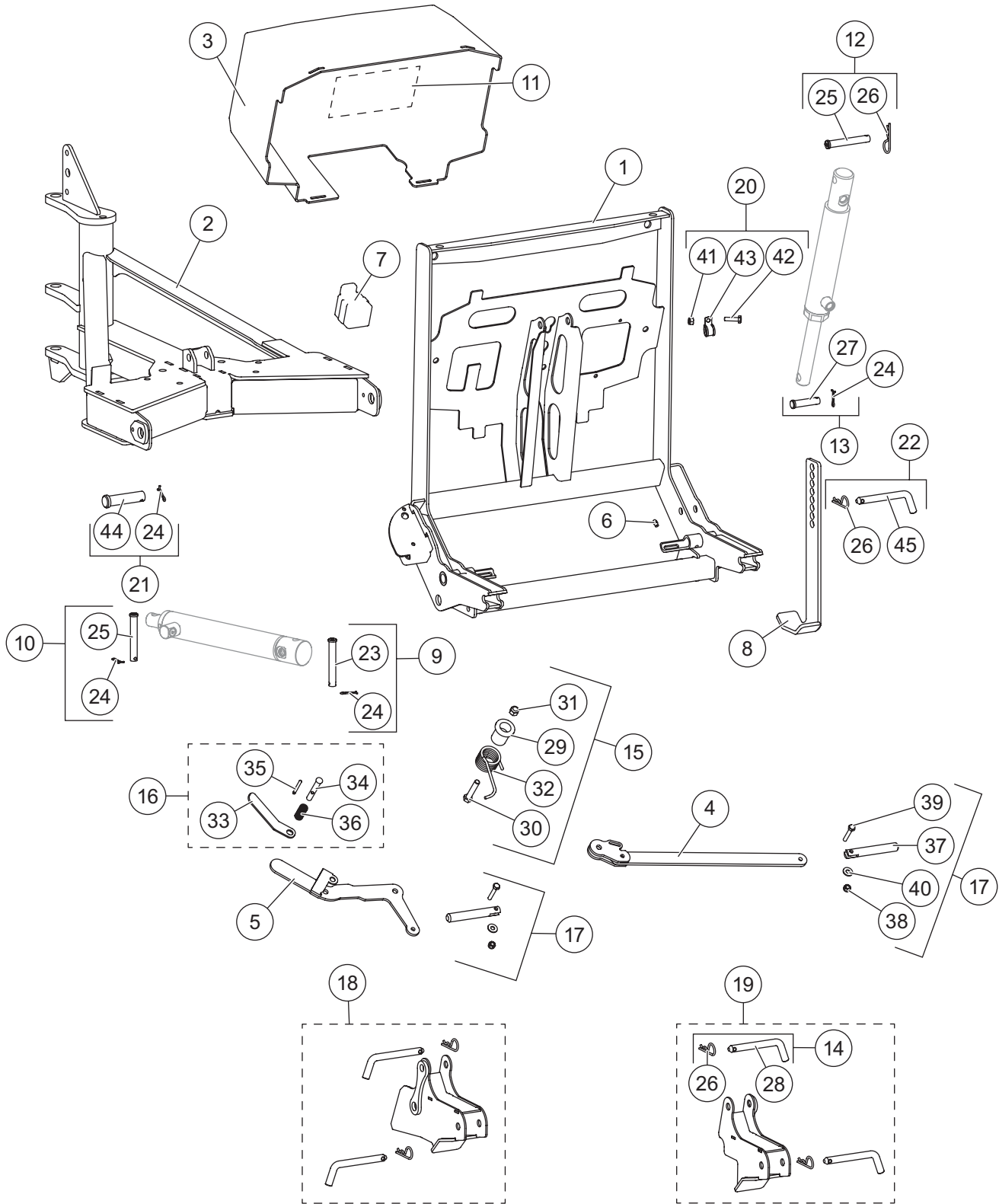
IMPACT™ UTV V-PLOW BLADE 74360

Blade Components and Accessories



IMPACT™ UTV V-PLOW HEADGEAR AND T-FRAME ASSEMBLY

Headgear and T-Frame Components

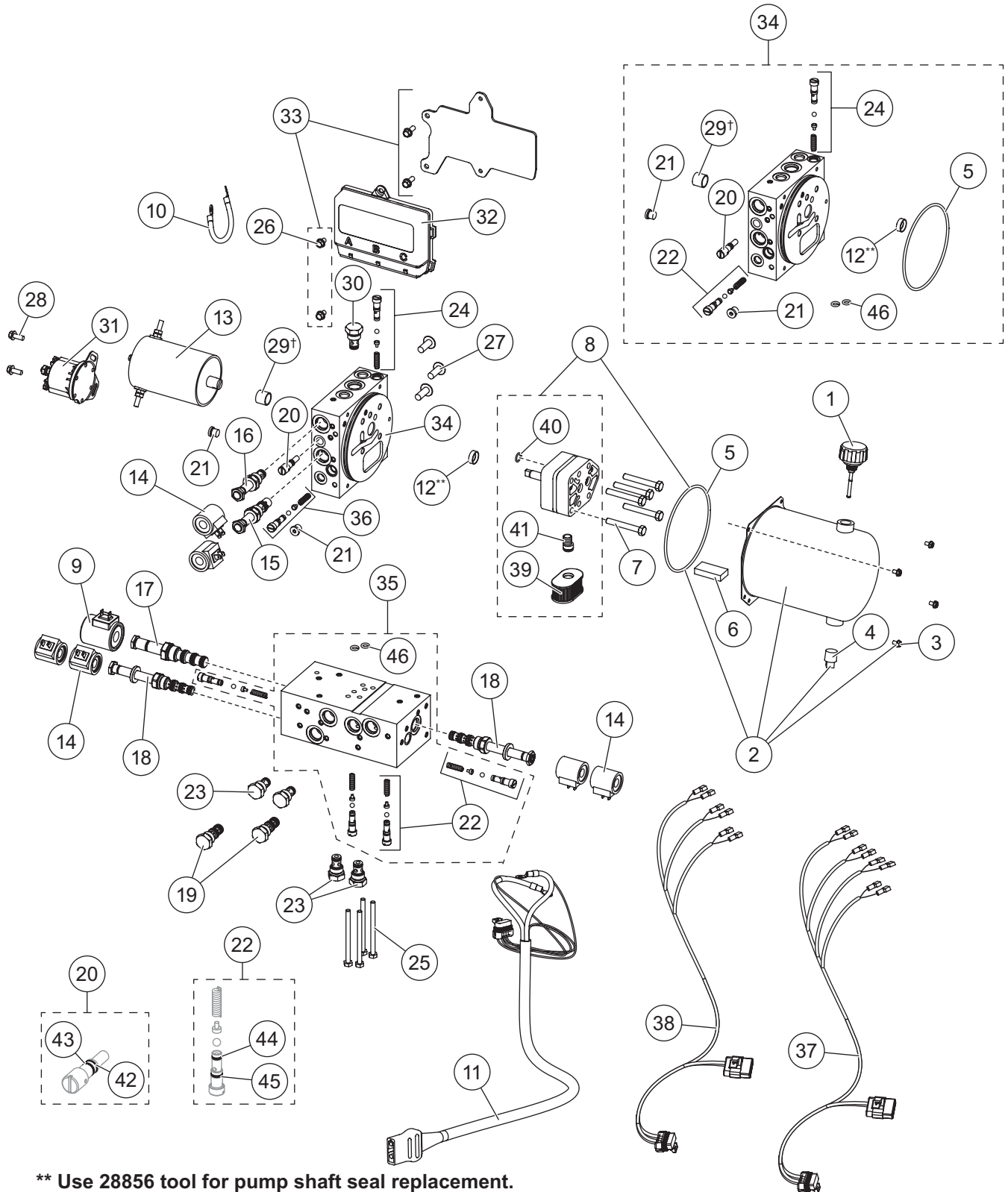


IMPACT™ UTV V-PLOW HEADGEAR AND T-FRAME ASSEMBLY

IMPACT Headgear and T-Frame Components							
Item	Part	Qty	Description	Item	Part	Qty	Description
1	84361	1	Headgear	12	85199	1	Lift Ram Base Pin Kit
2	83628	1	T-Frame	13	84627	1	Lift Ram Rod Pin Kit
3	84843	1	Hydraulic Cover (incl. item 11)	14	84610	4	Receiver Pin Kit
4	83635	1	Link	15	83636	1	Torsion Spring/Spacer Kit
5	83634	1	Handle	16	83633	1	Attach Handle Release Cam Kit
6	84616	1	Grease Zerk (pkg of 3)	17	84602	2	Hitch Pin Kit
7	61246	1	Cable Boot	18	83637	1	Receiver Kit, DS
8	84846	1	Stand	19	83638	1	Receiver Kit, PS
9	83629	2	Angle Ram Base Pin Kit	20	84778	1	Power Cable Clamp Loop Kit
10	85198	2	Angle Ram Rod Pin Kit	21	83630	2	T-Frame Pin Kit
11	43862	1	Label – Information, Hydraulic	22	83825	1	Stand Pin Kit
Item 9				83629 Angle Ram Base Pin Kit			
23	1	1/2 x 3-11/16	Clevis Pin HT	24	1	5/32 x 1-1/2	Cotter Pin
Item 10				85198 Angle Ram Rod Pin Kit			
24	1	5/32 x 1-1/2	Cotter Pin	25	1	1/2 x 2-7/8	Clevis Pin HT
Item 12				85199 Lift Ram Base Pin Kit			
25	1	1/2 x 2-7/8	Clevis Pin HT	26	1	1/8	Hairpin Cotter
Item 13				84627 Lift Ram Rod Pin Kit			
24	1	5/32 x 1-1/2	Cotter Pin	27	1	1/2 x 2-1/8	Clevis Pin HT
Item 14				84610 Receiver Pin Kit			
26	1	1/8	Hairpin Cotter	28	1	1/2 x 4	Clevis Pin
Item 15				83636 Torsion Spring/Spacer Kit			
29	1	Spacer, Handle Spring		31	1	3/8-16 Hex Locknut GB	
30	1	3/8-16 x 2-1/4 Hex Cap Screw G5		32	1	Torsion Spring	
Item 16				83633 Attach Handle Release Cam Kit			
33	1	Handle Lock Pin Lever		35	1	3/16 x 1-3/8 Spring Pin SS	
34	1	Lock Pin		36	1	Stand Lock Pin Spring	
Item 17				84602 Hitch Pin Kit			
37	1	Hitch Pin		39	1	1/4-20 x 1-1/2 Hex Cap Screw SS	
38	1	1/4-20 Hex Locknut GB		40	1	1/4 Flat Washer Type A Wide	
Item 18				83637 Receiver Kit, DS			
	1	Receiver, DS		14	2	Receiver Pin Kit	
Item 19				83638 Receiver Kit, PS			
	1	Receiver, PS		14	2	Receiver Pin Kit	
Item 20				84778 Power Cable Clamp Loop Kit			
41	1	1/4-20 Hex Locknut GB		43	1	#10 Clamp Loop	
42	1	1/4-20 x 1 Hex Cap Screw G5					
Item 21				83630 T-Frame Pin Kit			
24	1	5/32 x 1-1/2 Cotter Pin		44	1	3/4 x 3 Clevis Pin	
Item 22				83825 Stand Pin Kit			
26	1	1/8 Hairpin Cotter		45	1	3/8 x 2-3/8 Clevis Pin	
		G = Grade				HT = Heat Treated	
						SS = Stainless Steel	

IMPACT™ UTV V-PLOW HYDRAULIC COMPONENTS

Hydraulic Unit Components



** Use 28856 tool for pump shaft seal replacement.
† Use 64589 tool for bearing sleeve replacement.

IMPACT™ UTV V-PLOW HYDRAULIC COMPONENTS

52652 IMPACT UTV V-Plow Hydraulic Unit							
Item	Part	Qty	Description	Item	Part	Qty	Description
1	66525	1	Reservoir Filler Breather	21	44344	2	Plug, Hex Socket -4 M ORB
2	48538	1	Reservoir Kit	22	49138K-5	2	Relief Valve Kit (2 sets)
3	66607	4	#10-24 x 5/16 Machine Screw	23	44334-1	4	Check Valve CV08-20
4	92079	1	Plug, Square 3/8 NPTF	24	27792-1	1	Relief Valve Repair Kit (1 set)
5	66519	1	O-Ring 2-250	25	90696	4	1/4-20 x 3-1/2 Hex Cap Screw G5
6	73897	1	Magnet	26	43988	2	1/4-20 x 3/8 Hex Washer-Head Thread-Rolling Screw
7	90073	5	5/16-18 x 2-1/4 Hex Cap Screw G5	27	98043	3	3/8-16 x 1 Button Cap Screw
8	52553	1	Pump Kit	28	44355	4	1/4-20 x 5/8 Hex Washer-Head Thread-Rolling Screw
9	84901	1	Coil 10 w/Spades	29†	56364	1	Sleeve Bearing
10	29071	1	Cable Assembly, 8"	30	84934	1	Check Valve
11	42015	1	Cable Assembly, Plow	31	52290	1	Motor Relay
12**	66515	1	Pump Shaft Seal	32	52292-1	1	Plow Module
13	48543-1	1	Motor Assembly 3"	33	52293-1	1	Module Plate
14	49230K-2	6	Coil w/Spade Terminals	34	52551	1	Primary Manifold, w/o Valves
15	44332	1	Valve, SVCV08-20 w/Nut	35	52552	1	Secondary Manifold, w/o Valves
16	84936	1	Valve, 2-Way NC w/Rev Flow	36	52282	1	Relief Valve (1 set)
17	84900	1	Valve, 4-Way SV10-43 w/Nut	37	52215	1	Plow Control Harness, 4-Coil
18	52285	2	Valve, 4-Way 3-Position Closed Center w/Nut and Spacer	38	52217	1	Plow Control Harness, 3-Coil
19	49458	2	Valve, PC08-30 w/Nut				
20	48517	1	Quill				
Item 2				48538 Reservoir Kit			
		1	Reservoir	4	92079	1	Plug, Square 3/8 NPTF
3	66607	4	#10-24 x 5/16 Machine Screw	5	66519	1	O-Ring 2-250
Item 8				52553 Pump Kit			
		1	Pump	40	56274	1	O-Ring -013
5	66519	1	O-Ring 2-250	41	10887	1	Hydraulic Pump Inlet Fitting
39	56789-5	1	Suction Filter				
Item 20				48517 Quill			
42	48239	1	O-Ring -106	43	48240	1	Back-Up Ring -106
Item 22				49138K-4 Relief Valve Kit			
44	55371	6	O-Ring -008	45	25731	6	O-Ring -010
Item 33				52293-1 Module Plate			
		1	Module Plate	28	44355	4	1/4-20 x 5/8 Hex Washer-Head Thread-Rolling Screw
26	43988	1	1/4-20 x 3/8 Hex Washer-Head Thread-Rolling Screw				
Item 35				52551 Primary Manifold w/o Valves			
12**	66515	1	Pump Shaft Seal	24	27792-1	1	Relief Valve Repair Kit (1 set)
20	48517	1	Quill	29†	56364	1	Bearing Sleeve
21	44344	2	Plug, Hex Socket -4 M ORB	46	43818	2	O-Ring -109
22	49138K-5	2	Relief Valve Kit (2 sets)				
Item 36				52552 Secondary Manifold w/o Valves			
22	49138K-5	2	Relief Valve Kit (2 sets)	46	43818	2	O-Ring -109
O-Ring Service Kits							
ns	52298-3		O-Ring Kit (does not contain O-rings for valves)	ns	49259-2		Seal Kit, 3-Way and 4-Way Valve
ns	49258-2		Seal Kit, 2-Way Valves	ns	84909		Seal Kit, Size 10, 3-Way and 4-Way Valve
ns = not shown				M = Male		G = Grade	

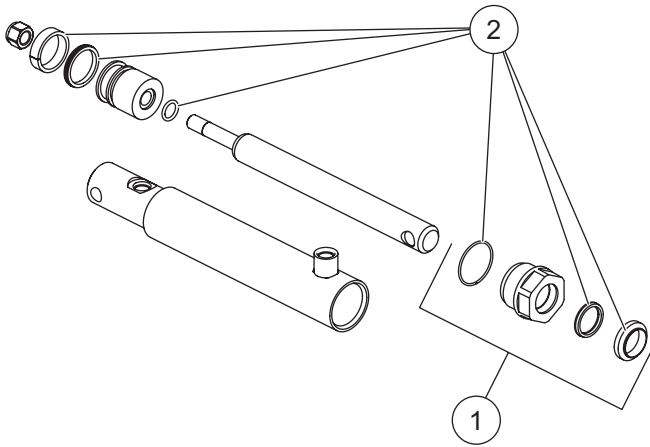
** Use 28856 tool for pump shaft seal replacement (includes 1 seal).

† Use 64589 tool for bearing sleeve replacement (includes 1 bearing).

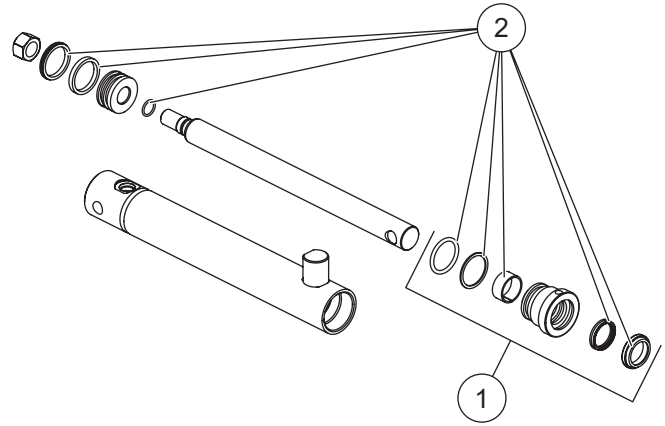
Go to www.westernplows.com for hydraulic unit service information and specifications.

IMPACT™ UTV V-PLOW HYDRAULIC COMPONENTS

Lift and Angle Ram Components



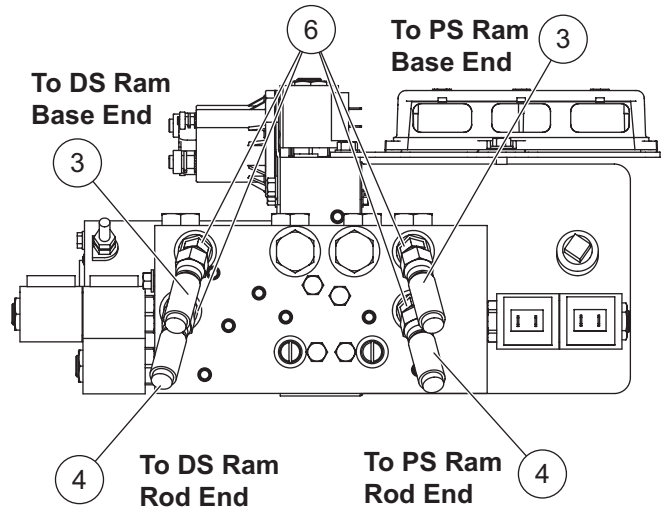
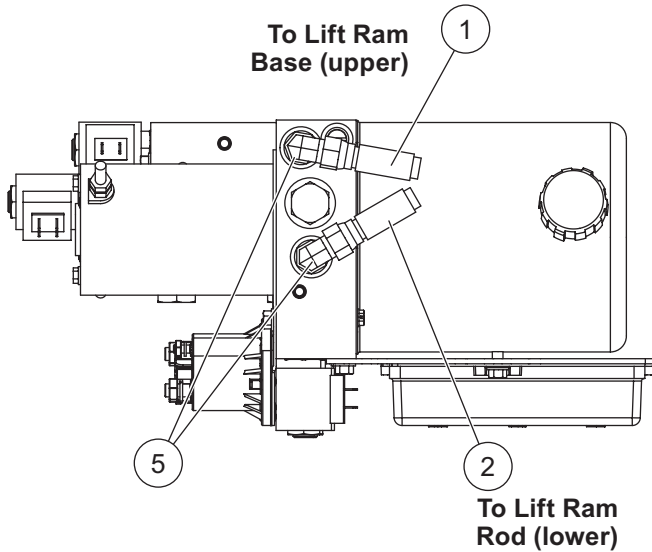
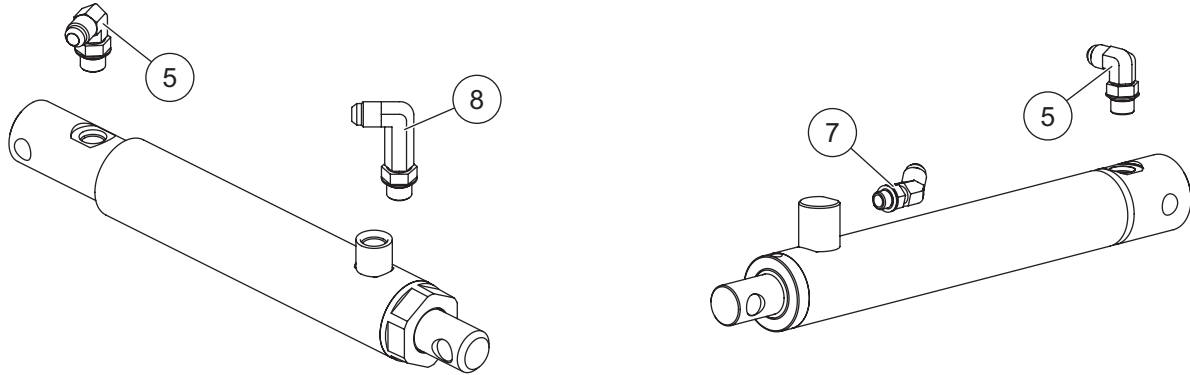
77484 Lift Ram Assembly 1-1/2 x 6			
Item	Part	Qty	Description
1	52277	1	1" Gland Nut Assembly
2	27788-1	1	Seal Kit 1-1/2 DA Ram



84435 Wing Ram Assembly 1-1/2 x 8-3/4 DA			
Item	Part	Qty	Description
1	52558	1	1" Gland Nut Assembly
2	52557	1	Seal Kit 1-1/2 DA Ram

IMPACT™ UTV V-PLOW HYDRAULIC COMPONENTS

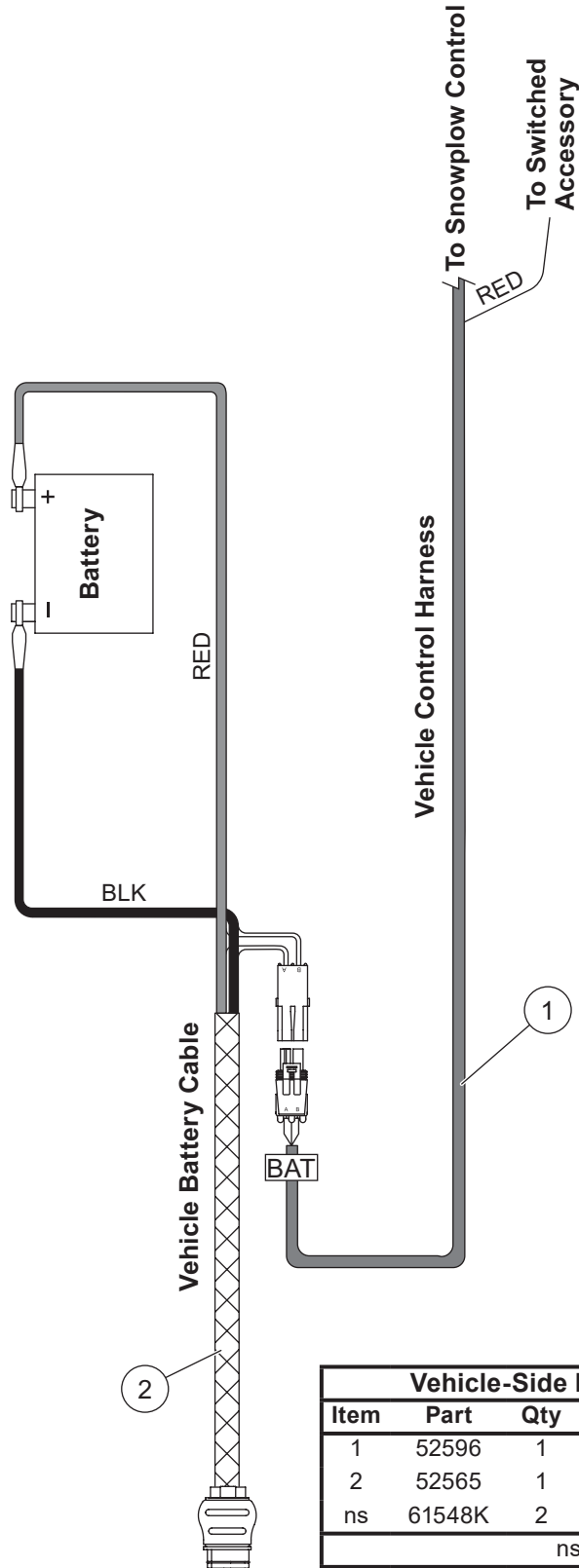
Hoses and Fittings



Hoses and Fittings							
Item	Part	Qty	Description	Item	Part	Qty	Description
1	84446	1	Hose, 1/4 x 14 w/F JIC Ends	6	26694	4	Elbow, 45° -6 M JIC/-6 M ORB
2	84453	1	Hose, 1/4 x 20 w/F JIC Ends	7	41093	2	Elbow, 45° -6 M JIC/-4 M ORB
3	48519	2	Hose, 1/4 x 32 w/F JIC Ends	8	64212-1	1	Elbow, Extra Long 90° -6 M JIC/-6 M ORB
4	64625	2	Hose, 1/4 x 36 w/F JIC Ends				
5	56615-1	5	Elbow, 90° -6 M JIC/-6 M ORB				
F = Female				M = Male			

IMPACT™ UTV V-PLOW VEHICLE-SIDE HARNESS DIAGRAM

Vehicle-Side Harness Diagram



Vehicle-Side Electrical Components			
Item	Part	Qty	Description
1	52596	1	Vehicle Control Harness
2	52565	1	Vehicle Battery Cable
ns	61548K	2	Plug Cover
ns = not shown			



Western Products
PO Box 245038
Milwaukee, WI 53224-9538
www.westernplows.com

 **A DIVISION OF DOUGLAS DYNAMICS, LLC**

Copyright © 2023 Douglas Dynamics, LLC. All rights reserved. This material may not be reproduced or copied, in whole or in part, in any printed, mechanical, electronic, film, or other distribution and storage media, without the written consent of Western Products. Authorization to photocopy items for internal or personal use by Western Products outlets or snowplow owner is granted.

Western Products reserves the right under its product improvement policy to change construction or design details and furnish equipment when so altered without reference to illustrations or specifications used. Western Products or the vehicle manufacturer may require or recommend optional equipment for snow removal. Do not exceed vehicle ratings with a snowplow. Western Products offers a limited warranty for all snowplows and accessories. See separately printed page for this important information. The following are registered (®) or unregistered (™) trademarks of Douglas Dynamics, LLC: IMPACT™, ULTRAFINISH™, WESTERN®.

Printed in U.S.A.