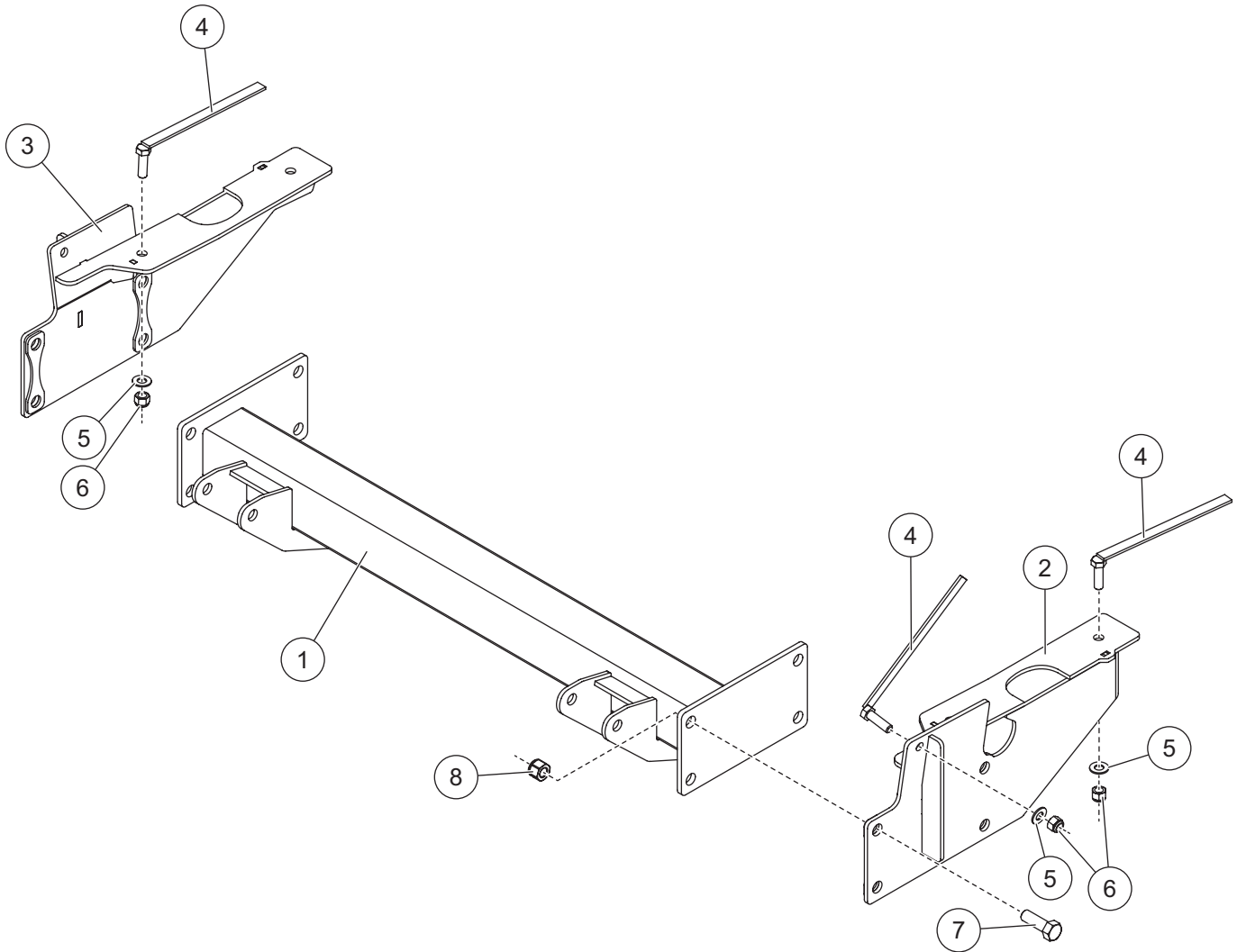


PARTS LIST



35169 Mount Kit							
Item	Part	Qty	Description	Item	Part	Qty	Description
1	29336	1	Mount Beam	ns	52596	1	Vehicle Control Harness, UTV
2	87611	1	Mount, PS	ns	61548K	1	Plug Cover Kit
3	87612	1	Mount, DS	ns	79213	1	Bolt Bag
4	28043	6	3/8-16 x 1-1/4 Handled Cap Screw G5, 7" Handle	ns	90730	1	Fuse Kit, 200A
ns	52565	1	Vehicle Cable Assembly, Long	ns		12	Cable Ties
79213 Bolt Bag							
5		6	3/8 Flat Washer Hardened	7		8	1/2-13 x 1-1/2 Hex Cap Screw G5
6		8	3/8-16 Locknut GB	8		8	1/2-13 Locknut GB
ns = not shown				G = Grade			

Copyright © 2022 Douglas Dynamics, LLC. All rights reserved. This material may not be reproduced or copied, in whole or in part, in any printed, mechanical, electronic, film, or other distribution and storage media, without the written consent of the company. Authorization to photocopy items for internal or personal use by the company's outlets or snowplow owner is granted.

The company reserves the right under its product improvement policy to change construction or design details and furnish equipment when so altered without reference to illustrations or specifications used. This equipment manufacturer or the vehicle manufacturer may require or recommend optional equipment for snow removal. Do not exceed vehicle ratings with a snowplow. The company offers a limited warranty for all snowplows and accessories. See separately printed page for this important information.

Printed in U.S.A.
