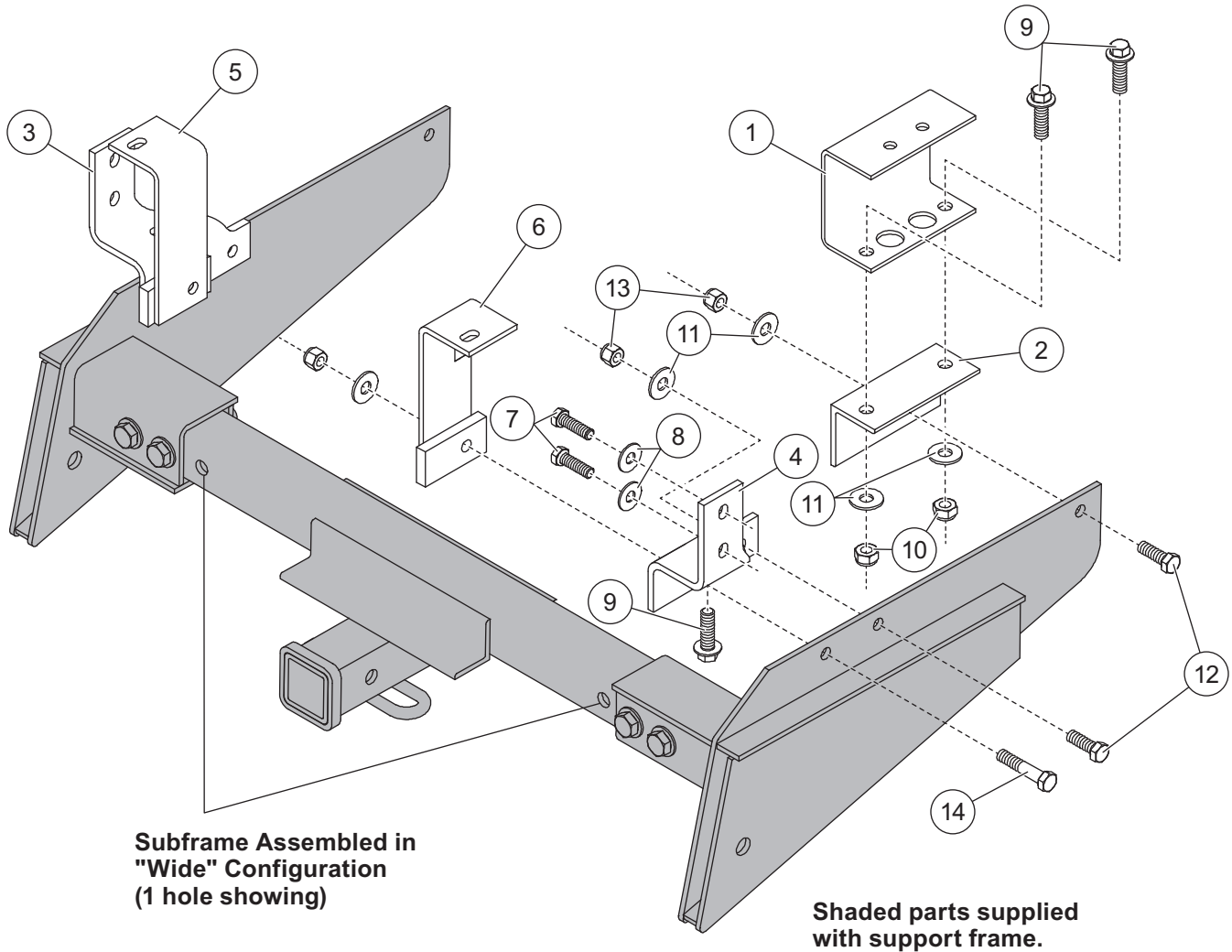


**Under-Frame Mount for Single- and Two-Stage Tailgate Spreaders
Chevy Silverado/GMC Sierra 2500 1999 - 10**

67510

January 1, 2011
Lit. No. 67524, Rev. 08

PARTS LIST



67510 Under-Frame Mount							
Item	Part	Qty	Description	Item	Part	Qty	Description
1	67511	2	Support Bracket	5	67516	1	Hanger – DS
2	67512	2	Angle Bracket	6	67517	1	Hanger – PS
3	67936	1	Formed Bracket – DS	ns	67513	1	Bolt Bag
4	67937	1	Formed Bracket – PS				
67513 Bolt Bag							
7		4	M12-1.75 x 40 Hex Cap Screw G8.8	11		10	1/2 Flat Washer
8		4	7/16 Plain Washer	12		4	1/2-13 x 1-1/2 Hex Cap Screw G5
9		6	M14-2 x 45 Hex Lock Screw G10.9	13		6	12-13 Hex Locknut GB
10		4	M14-2 Hex Locknut G9	14		2	1/2-13 x 2-1/2 Hex Cap Screw G5
ns = not shown				G = Grade			

Copyright © 2011 Douglas Dynamics, L.L.C. All rights reserved. This material may not be reproduced or copied, in whole or in part, in any printed, mechanical, electronic, film or other distribution and storage media, without the written consent of the company. Authorization to photocopy items for internal or personal use by the company's outlets or spreader owner is granted.

The company reserves the right under its product improvement policy to change construction or design details and furnish equipment when so altered without reference to illustrations or specifications used. This equipment manufacturer or the vehicle manufacturer may require or recommend optional equipment for spreaders. Do not exceed vehicle ratings with a spreader. The company offers a limited warranty for all spreaders and accessories. See separately printed page for this important information.

Printed in U.S.A.
