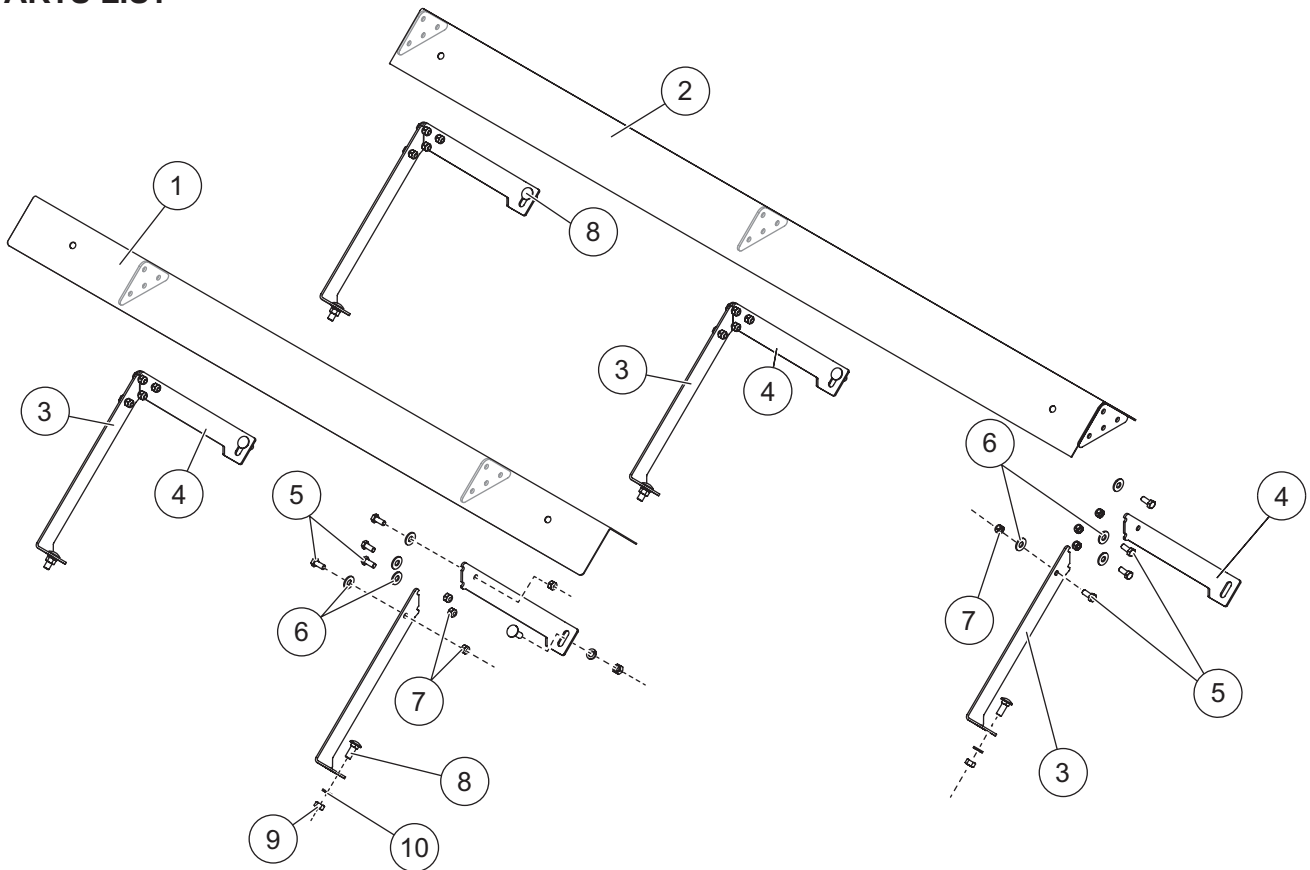


Inverted V Kit

Steel-Hopper Spreaders (7', 8', 9', 10')

PARTS LIST



99482 Inverted V Kit, Short – 7' and 8' Steel Hopper 99119 Inverted V Kit, Long – 9' and 10' Steel Hopper									
Item	Part	Qty		Description	Item	Part	Qty		Description
		99482	99119				99482	99119	
1	96502	1	–	Inverted V – Short	4	96486	2	3	Leg – Side B
2	96503	–	1	Inverted V – Long	ns	99074	1	–	Bolt Bag – Short V
3	96396	2	3	Leg – Side A	ns	99075	–	1	Bolt Bag – Long V
Bolt Bags									
Item	Part	Qty		Description	Item	Part	Qty		Description
		99074	99075				99074	99075	
5		8	12	5/16-18 x 3/4 Hex Cap Screw SS	8		4	6	3/8-16 x 1 Carriage Bolt
6		8	12	5/16 Flat Washer	9		4	6	3/8-16 Hex Nut SS
7		8	12	5/16-18 Hex Lock Nut GB	10		4	6	3/8 Lock Washer SS
		ns = not shown						SS = Stainless Steel	
								G = Grade	

INSTALLATION INSTRUCTIONS

⚠ WARNING

Do not exceed GVWR or GAWR, including blade and ballast. The rating label is found on the DRIVER-SIDE vehicle door cornerpost.

⚠ CAUTION

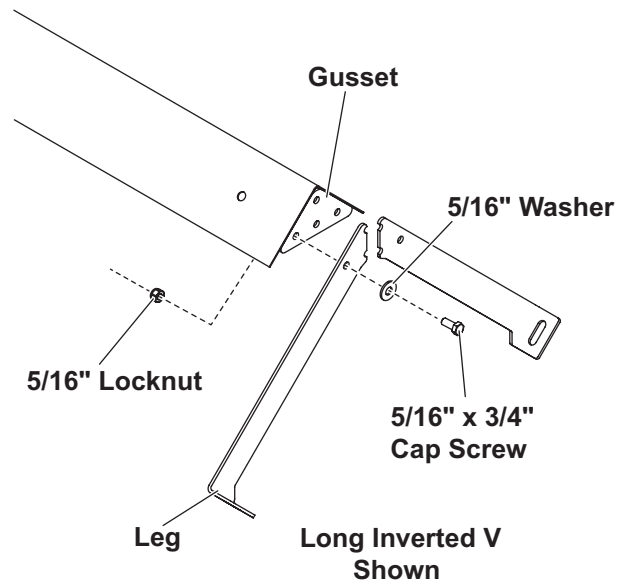
Read this document before installing the inverted V.

⚠ CAUTION

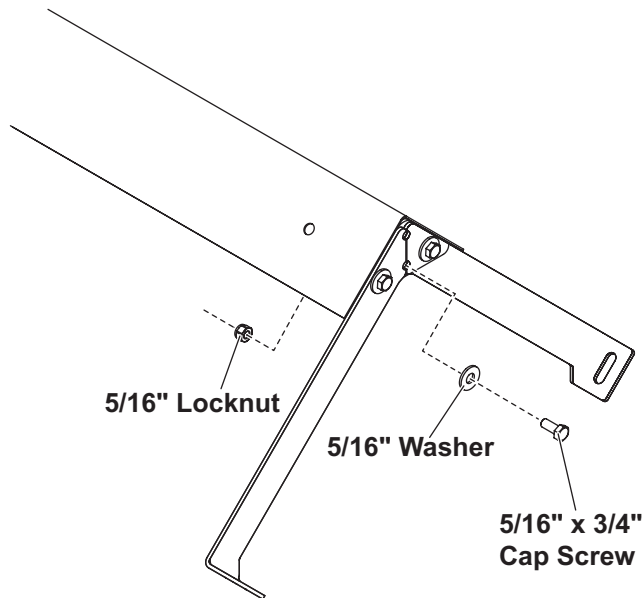
Use standard methods and practices when attaching snowplow and installing accessories, including proper personal protective safety equipment.

1. Park the vehicle on a smooth, level, hard surface, such as concrete. Turn the vehicle ignition to the "OFF" position and remove the key.
2. Empty all material from the hopper.
3. Remove the screens and set them aside.
4. Remove the existing inverted V.

5. The inverted V legs are installed in pairs. Each leg has one unique hole and two shared holes. The leg ends must all face the same way for the mounting holes in the legs to align with the mounting holes in the hopper body.
6. Position a pair of legs against the non-welded side of one of the triangular gussets on the inside of the V. Install each leg to the gusset using the supplied 5/16" x 3/4" cap screw, flat washers, and locknut as shown, but do not tighten the fasteners yet. Repeat for the other pair(s) of legs.



7. Hold the legs flush against the gusset and install 5/16" x 3/4" cap screws, flat washers, and locknuts in the center mounting holes. The flat washer should be on the leg side as shown.



8. Ensure that each pair of legs is oriented with the legs at 90 degrees from each other, then tighten all the fasteners to 12 ft-lb.
9. Position the assembled inverted V in the hopper so that the holes in the ends of the legs align with the existing holes in the hopper body.
10. Install the inverted V to the hopper using 3/8" x 1" carriage bolts, flat washers, and hex nuts. Tighten to 20 ft-lb.
11. Reinstall the top screens.

Copyright © 2016 Douglas Dynamics, LLC. All rights reserved. This material may not be reproduced or copied, in whole or in part, in any printed, mechanical, electronic, film or other distribution and storage media, without the written consent of the company. Authorization to photocopy items for internal or personal use by the company's outlets or spreader owner is granted.

The company reserves the right under its product improvement policy to change construction or design details and furnish equipment when so altered without reference to illustrations or specifications used. This equipment manufacturer or the vehicle manufacturer may require or recommend optional equipment for spreaders. Do not exceed vehicle ratings with a spreader. The company offers a limited warranty for all spreaders and accessories. See separately printed page for this important information.

Printed in U.S.A.
