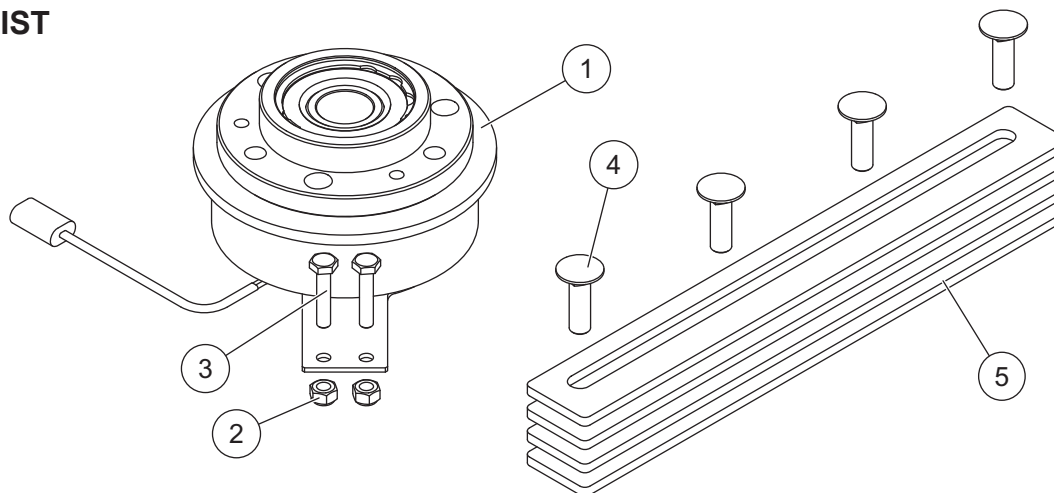


# Clutch Kit

## Gas Steel Hopper Spreaders

### PARTS LIST



99124 Clutch Kit							
Item	Part	Qty	Description	Item	Part	Qty	Description
1	74959	1	Electric Clutch	4	68621	4	3/8-16 x 1-1/4 Carriage Bolt
2	67076	2	1/4-20 Hex Locknut GB	5		4	Spacer Plate, 3/16"
3	67072	2	1/4-20 x 1-1/4 Hex Cap Screw SS				
G = Grade				SS = Stainless Steel			

### INSTALLATION INSTRUCTIONS

#### **⚠ WARNING**

Do not exceed GVWR or GAWR ratings as found on the driver-side vehicle door cornerpost.

#### **⚠ CAUTION**

Read this document before installing the clutch kit.

#### **⚠ CAUTION**

Use standard methods and practices when attaching spreader and installing accessories, including proper personal protective safety equipment.

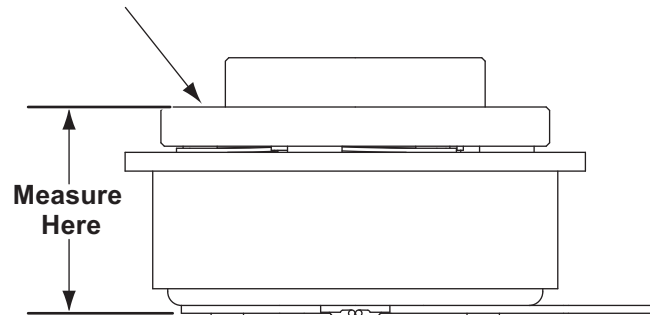
#### Remove the Old Clutch

1. Park the vehicle on a smooth, level, hard surface, such as concrete. Turn the vehicle ignition to the "OFF" position and remove the key. Disconnect the spreader harnesses from the vehicle.
2. Remove the engine cover.
3. Loosen and remove the spinner drive chain.
4. Loosen the engine mounting base hardware. Move the engine mounting base in order to loosen and remove the primary roller chain.
5. Remove the two sprockets from the clutch and shaft.
6. Disconnect the clutch's electrical connector.
7. Remove the two torque arm bolts.
8. Remove the electric clutch from the drive shaft.

## Verify Clutch Height

If the new clutch doesn't match the one being replaced, you may need to shim the engine mounting base to maintain proper spacing between the roller chains. Measure the height of the clutches as shown below.

### Large Sprocket Mounting Surface



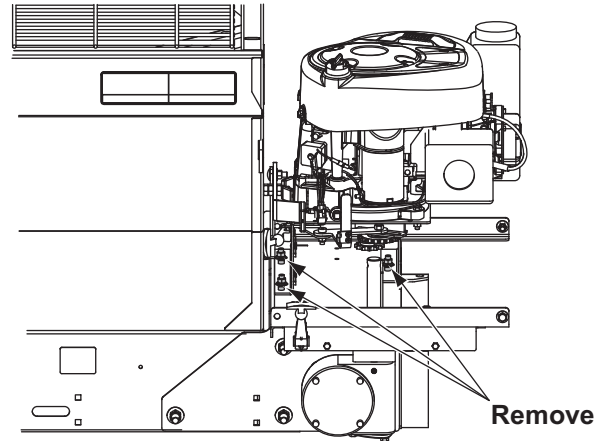
If the new clutch is taller than the old, use the provided 3/16" spacer plates to make up the difference in height. The combined height of the spacer plates and the old clutch should be within 3/32" of the new clutch.

If the old clutch is taller, no spacer plates are needed, but it may be necessary to realign the engine and spinner sprockets.

## Install Spacer Plates

See the previous section to determine if and how many spacer plates are needed. If spacer plates are required, install them according to the following steps.

1. Remove the rear engine mounting base hardware. Discard the carriage bolts, but retain the lock washers and nuts for reuse.



2. Lift the engine mounting base and slide the necessary number of spacer plates underneath.
3. Install one of the provided carriage bolts and reinstall one of the lock washers and nuts retained in Step 1. Do not tighten at this time.
4. Repeat Steps 1–3 for the front set of mounting hardware.

## Install the New Clutch and Finish Installation

1. Install the new clutch onto the drive shaft using anti-seize lubricant.
2. Reinstall the two torque arm bolts.
3. Connect the clutch's electrical connector.
4. Reinstall the two sprockets to the clutch and shaft.
5. Reinstall the primary roller chain. Tighten the chain by sliding the engine mounting base, and then tighten the mounting bolts.
6. Reinstall the spinner drive chain.
7. Reinstall the engine cover.

Copyright © 2018 Douglas Dynamics, LLC. All rights reserved. This material may not be reproduced or copied, in whole or in part, in any printed, mechanical, electronic, film, or other distribution and storage media, without the written consent of the company. Authorization to photocopy items for internal or personal use by the company's outlets or spreader owner is granted.

The company reserves the right under its product improvement policy to change construction or design details and furnish equipment when so altered without reference to illustrations or specifications used. This equipment manufacturer or the vehicle manufacturer may require or recommend optional equipment for spreaders. Do not exceed vehicle ratings with a spreader. The company offers a limited warranty for all spreaders and accessories. See separately printed page for this important information.