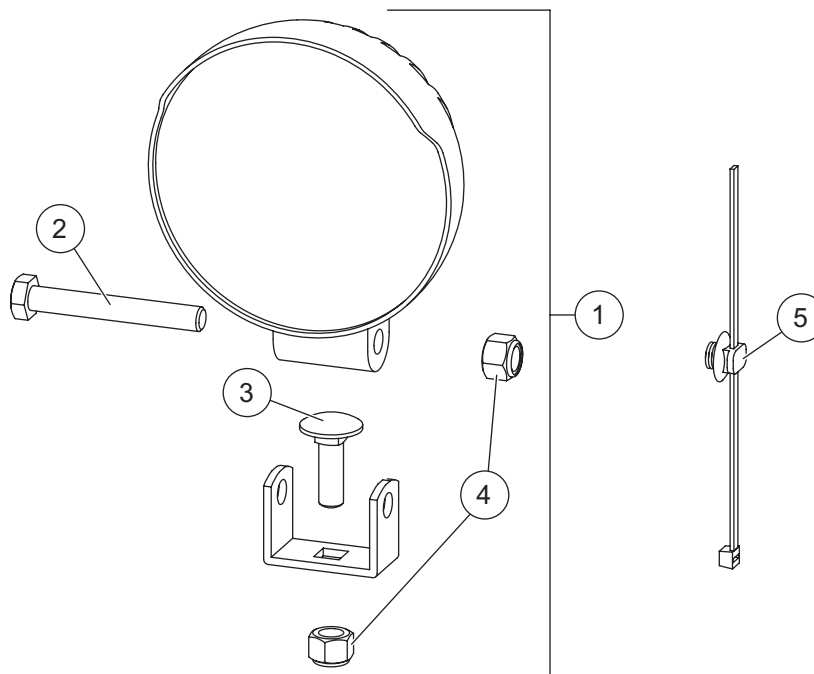


# Auxiliary Work Light

## Stainless Steel Hopper Spreaders

### PARTS LIST



99732 Auxiliary Work Light Kit							
Item	Part	Qty	Description	Item	Part	Qty	Description
1	78377	1	LED Work Light	5		4	Fir Tree Mount w/Cable Tie
2		1	5/16-18 x 2 Hex Cap Screw	ns		6	15" Cable Tie
3		1	5/16-18 x 1.25 Carriage Bolt	ns	78386	1	Harness Assembly – 56"
4		2	5/16-18 Locknut				

ns = not shown

#### **⚠ WARNING**

Do not exceed GVWR or GAWR ratings as found on the driver-side vehicle door cornerpost.

#### **⚠ CAUTION**

Use standard methods and practices when attaching spreader and installing accessories, including proper personal protective safety equipment.

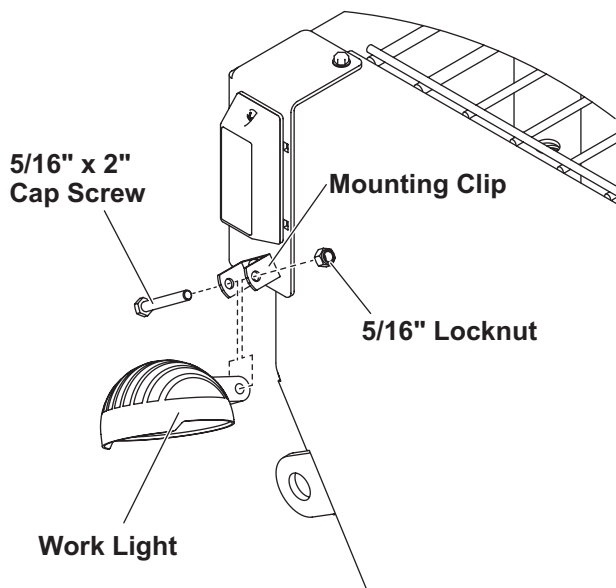
#### **⚠ CAUTION**

Read this document before installing the Auxiliary Work Light.

## INSTALLATION INSTRUCTIONS

The illustrations show the work light being mounted to a previously installed strobe light bracket. The work light can be installed in a different location by drilling a 13/32" hole to mount the light and 1/4" mounting holes for the fir tree clips to secure the harness.

1. Install the mounting clip in the desired mounting location using the supplied 5/16" x 1.25" carriage bolt and 5/16" locknut.
2. Attach the work light to the mounting clip using the 5/16" x 2" cap screw and 5/16" locknut, but do not yet fully tighten the fasteners.



3. Aim the light in the desired direction and fully tighten the locknut.

4. Plug the work light harness into the matching connector of the work light.
5. **If the work light is being mounted on an existing strobe light bracket**, secure the work light harness to the strobe light harness using the included cable ties.

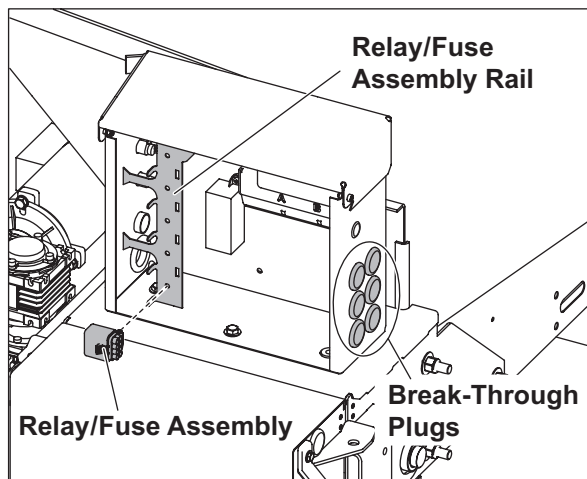
**If the work light harness will not be secured to an existing feature**, the fir tree mounts will be used to secure the harness between the light and the electrical enclosure. Drill 1/4" holes for attaching the fir tree mounts. Push the fir tree mounts into the holes and secure the work light harness to the hopper with the attached cable ties.

6. **Electric or Hydraulic Spreader:** Cut a hole in one of the break-through plugs and feed the harness into the enclosure. The hole should be sized to form a tight seal around the harness.

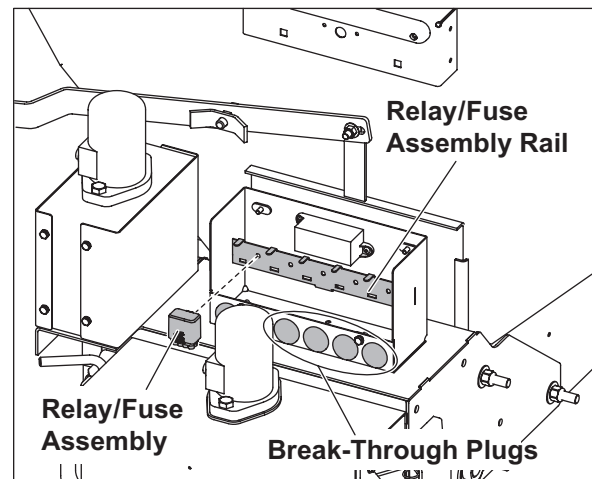
**Gas Spreader:** Route the harness into the engine compartment on the right side just forward of the engine mounting plate in such a way that the engine hood does not pinch the harness when it is closed.

7. Plug the work light harness connector into the remaining matching connector on the relay/fuse assembly harness that powers the primary work light. (One relay/fuse harness assembly can power two work lights.)

#### Electric Spreader

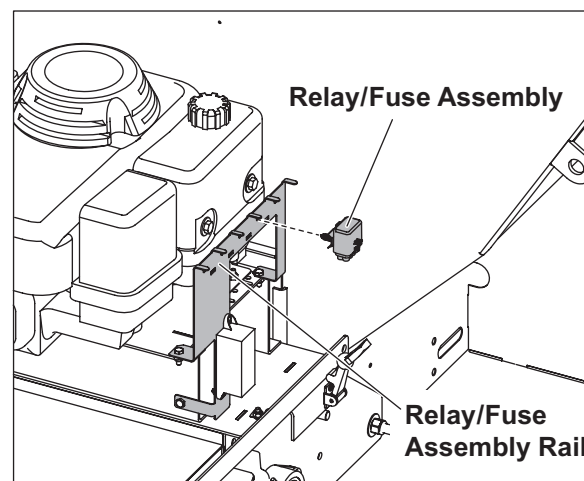


#### Hydraulic Spreader



#### Gas Spreader

[Electrical enclosure covers not shown.]



Copyright © 2015 Douglas Dynamics, LLC. All rights reserved. This material may not be reproduced or copied, in whole or in part, in any printed, mechanical, electronic, film or other distribution and storage media, without the written consent of the company. Authorization to photocopy items for internal or personal use by the company's outlets or snowplow owner is granted.

The company reserves the right under its product improvement policy to change construction or design details and furnish equipment when so altered without reference to illustrations or specifications used. This equipment manufacturer or the vehicle manufacturer may require or recommend optional equipment for snow removal. Do not exceed vehicle ratings with a snowplow. The company offers a limited warranty for all snowplows and accessories. See separately printed page for this important information.

**Printed in U.S.A.**

---