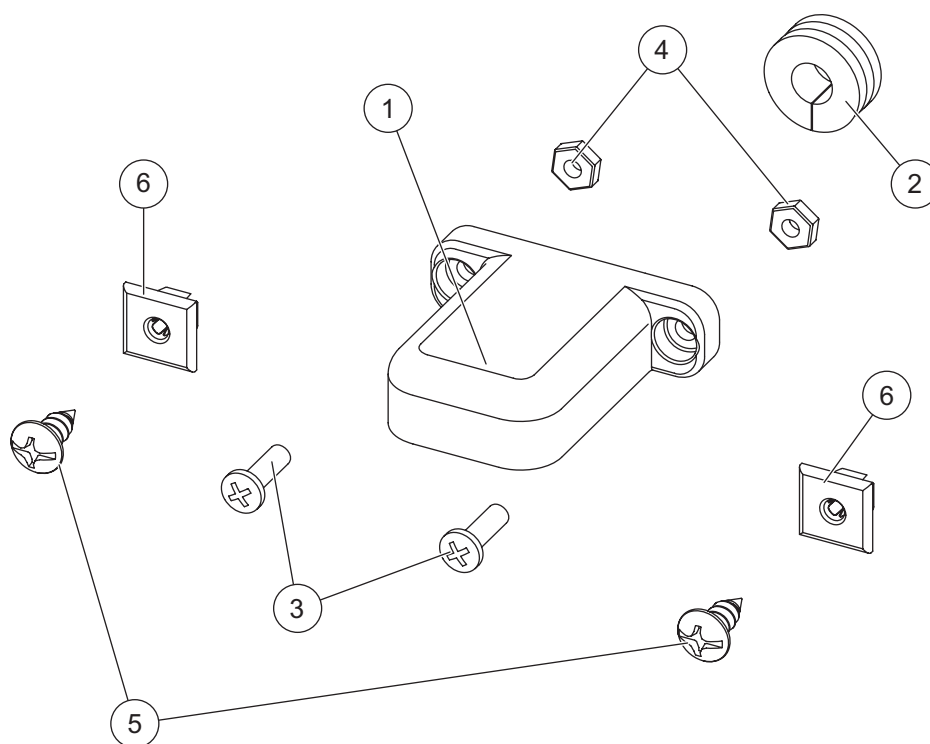


# License Plate Light Kit

## Stainless Steel Hopper Spreaders

**PARTS LIST**



99686 License Plate Light Kit							
Item	Part	Qty	Description	Item	Part	Qty	Description
1	99467	1	License Plate Lamp	5	2	2	License Plate Screw
2	66130	1	Rubber Grommet	6	2	2	License Plate Nut
3		2	#10-32 x 1 Machine Screw SS	ns	2	2	1/4 Insulated Receptacle 16-14 ga
4		2	#10-32 Locknut SS	ns	2	2	1/4 Insulated Blade 16-14 ga
			ns = not shown			G = Grade	
						SS = stainless steel	

## INSTALLATION INSTRUCTIONS

### **⚠ CAUTION**

Read this document before installing the license plate light.

### **⚠ CAUTION**

Use standard methods and practices when attaching spreader and installing accessories, including proper personal protective safety equipment.

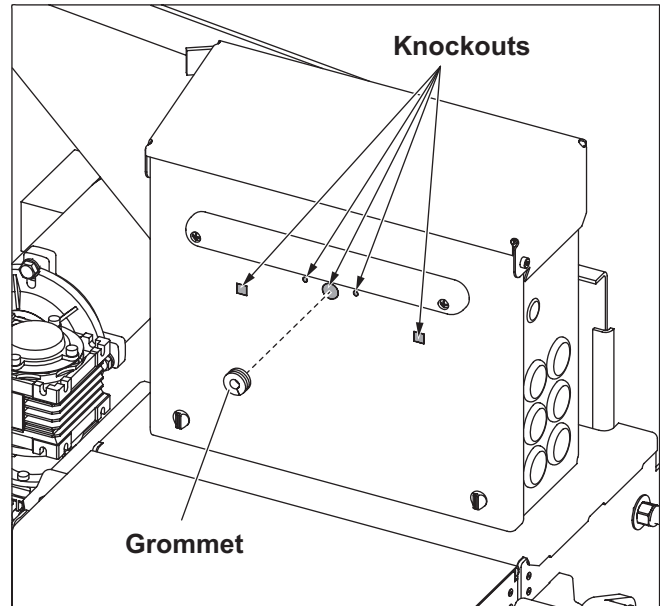
Park the vehicle on a smooth, level, hard surface, such as concrete. Turn the vehicle ignition OFF and remove the key.

Follow the installation instructions under the heading for electric, gas, or hydraulic drive spreaders as appropriate.

## ELECTRIC DRIVE SPREADER

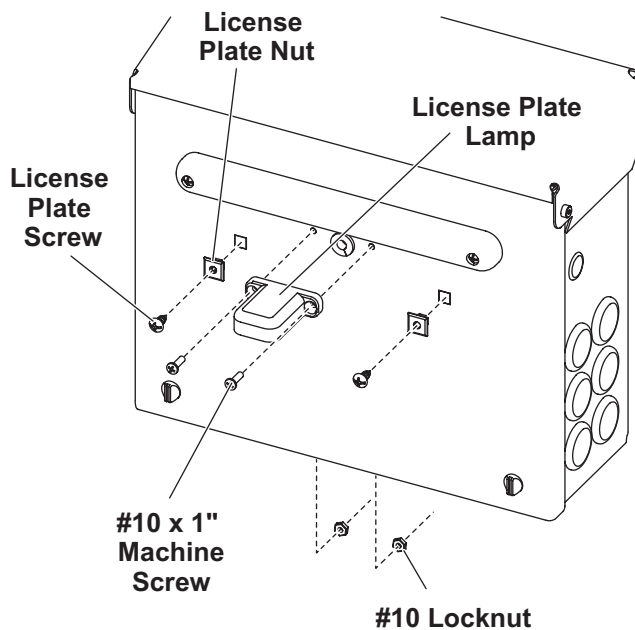
### Light Installation

1. Remove the knockouts from the electrical enclosure cover.
2. Install the grommet into the 5/8" center hole.



3. Route the license plate lamp electrical lead through the grommet.

4. Install the license plate lamp to the electrical enclosure cover using the supplied #10 x 1" machine screws and #10 lock nuts.
5. Install the two license plate nuts into the square holes in the electrical enclosure cover.
6. Attach the license plate to the electrical box cover using the two license plate screws.



Electrical lead not shown.

### Electrical Connections—Hopper Side

1. Locate the blunt-cut black and brown wires inside the electrical enclosure. Cut the heat-shrink tubing off these wire ends and strip the insulation so approximately 1/4" of wire is exposed.
2. Crimp one of the supplied insulated female receptacle terminals onto the black wire.
3. Crimp one of the supplied insulated male blade terminals onto the brown wire.
4. Locate the black and white leads from the license plate lamp. Strip the insulation so approximately 1/4" of wire is exposed.
5. Crimp one of the supplied male blade terminals onto the black wire.
6. Crimp one of the supplied insulated female receptacles terminals onto the white wire.
7. Connect the two black wires together.
8. Connect the white and brown wires together.

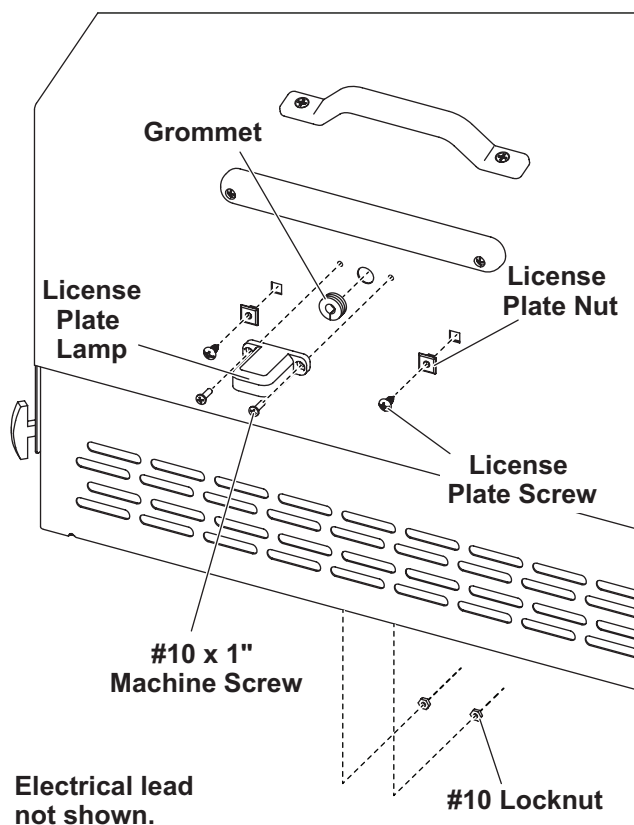
### Electrical Connections—Vehicle Side

1. Locate a spot on the vehicle cable assembly approximately 20" from the main molded connector.
2. At this spot open the convoluted tubing that covers the cable assembly and pull out the brown wire.
3. Splice the brown wire to the vehicle license plate lamp or park lamp circuit.

## GAS ENGINE DRIVE SPREADER

### Light Installation

1. Install the supplied rubber grommet into the 5/8" hole in the engine cover.
2. Route the license plate lamp electrical lead through the grommet.
3. Install the license plate lamp to the engine cover using the supplied #10 x 1" machine screws and #10 lock nuts.



4. Install the supplied license plate nuts into the two square holes in the engine cover.
5. Attach the license plate to the engine cover using the supplied license plate screws.

### Electrical Connections—Hopper Side

1. Locate the black and white leads from the license plate lamp. Strip the insulation from the leads so approximately 1/4" of wire is exposed.
2. Crimp one of the supplied female receptacle terminals onto the white wire.
3. Crimp one of the supplied insulated male blade terminals onto the black wire.
4. Connect the white/black wire from the hopper harness to the black wire from the license plate lamp.
5. Connect the blue wire from the hopper harness to the white wire from the license plate lamp.

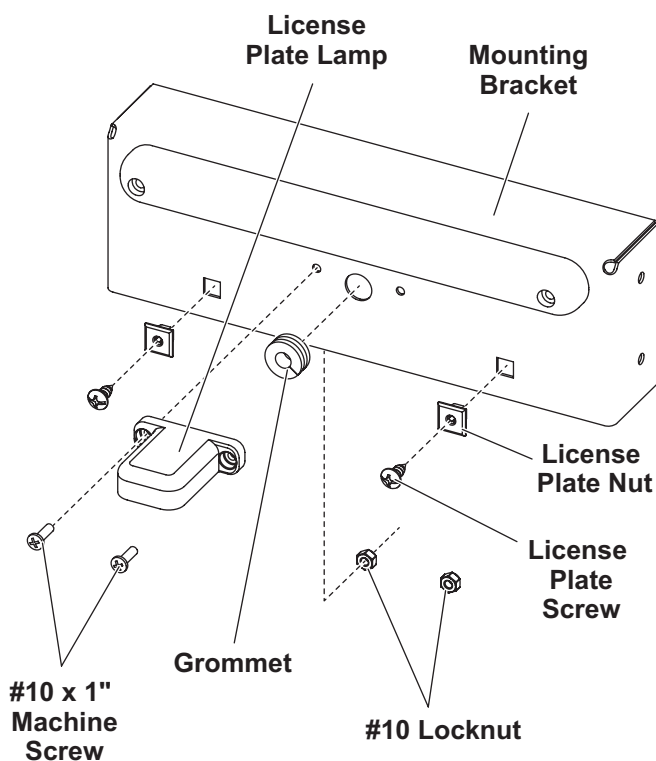
### Electrical Connections—Vehicle Side

1. Locate a spot on the vehicle harness assembly approximately 20" up from the main molded connector.
2. At this spot open the convoluted tubing that covers the cable assembly and pull out the brown wire.
3. Splice this brown wire to the vehicle license plate lamp or park lamp circuit.

## HYDRAULIC DRIVE SPREADER

### Light Installation

1. Install the supplied grommet into the 5/8" hole in the mounting bracket on the chute end of the hopper.
2. Route the license plate lamp electrical lead through the grommet.
3. Install the license plate lamp to the mounting bracket using the supplied #10 x 1" machine screws and lock nuts



Electrical lead not shown.

4. Install the supplied license plate nuts into the two square holes in the mounting bracket.
5. Attach the license plate to the mounting bracket using the supplied license plate screws.

### Electrical Connections—Hopper Side

1. Locate the black and white leads from the license plate lamp. Strip the insulation so approximately 1/4" of wire is exposed.
2. Crimp one of the included female receptacle terminals onto the black wire
3. Crimp one of the included insulated male blade terminals onto the white wire
4. Connect the black wire from the hopper harness to the black wire from the license plate lamp.
5. Connect the brown wire from the hopper harness to the white wire from the license plate lamp.

### Electrical Connections—Vehicle Side

1. Locate a spot up the vehicle harness assembly approximately 20" from the main molded connector.
2. At this spot open the convoluted tubing that covers the harness assembly and pull out the brown wire.
3. Splice the brown wire to the vehicle license plate light or park lamp circuit.

Copyright © 2015 Douglas Dynamics, LLC. All rights reserved. This material may not be reproduced or copied, in whole or in part, in any printed, mechanical, electronic, film or other distribution and storage media, without the written consent of the company. Authorization to photocopy items for internal or personal use by the company's outlets or spreader owner is granted.

The company reserves the right under its product improvement policy to change construction or design details and furnish equipment when so altered without reference to illustrations or specifications used. This equipment manufacturer or the vehicle manufacturer may require or recommend optional equipment for spreaders. Do not exceed vehicle ratings with a spreader. The company offers a limited warranty for all spreaders and accessories. See separately printed page for this important information.

**Printed in U.S.A.**

---