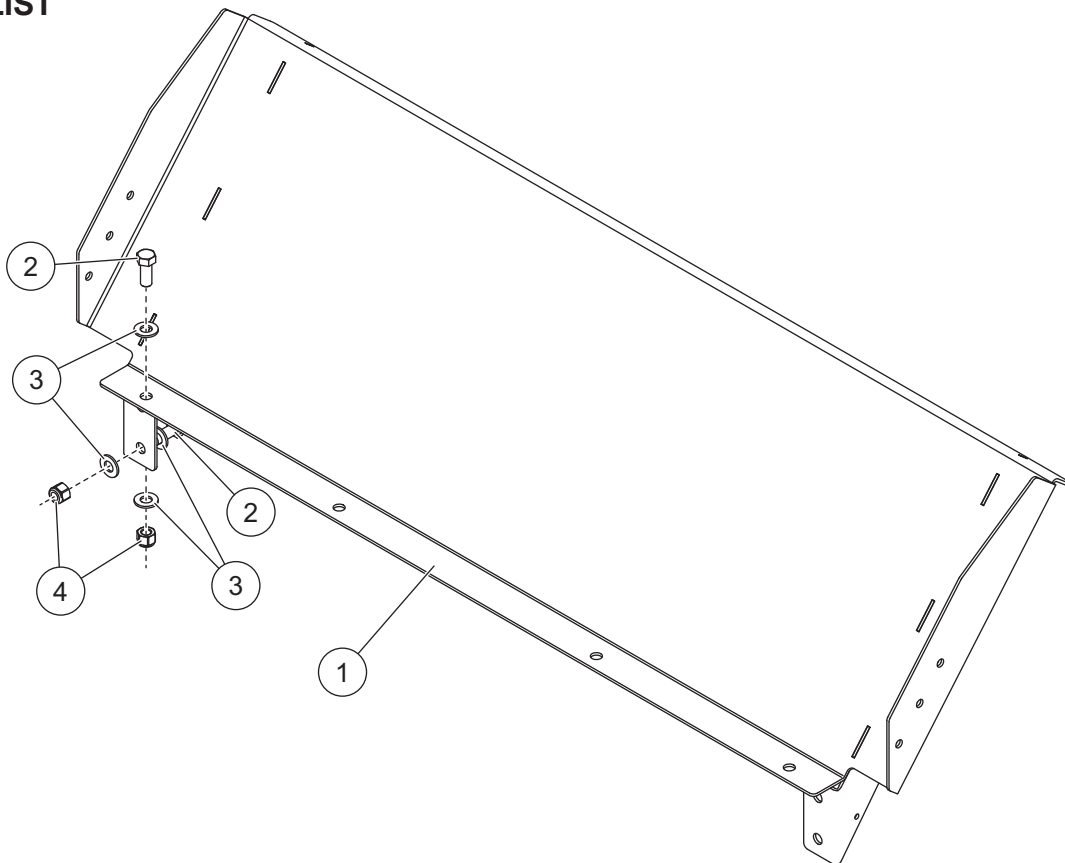


# Spill Guard Kits

## Stainless Steel Hopper Spreaders

**PARTS LIST**



81119 Spill Guard Kit – 70"							
Item	Part	Qty	Description	Item	Part	Qty	Description
1	79112	2	Spill Guard, 70"	ns	79114	1	Bolt Bag
<b>79114 Bolt Bag</b>							
2		20	1/2-13 x 1-1/4 Hex Cap Screw SS	4		20	1/2-13 Locknut SS
3		40	1/2 Flat Washer SS	ns	68595	1	Label – Information
ns = not shown				SS = Stainless Steel			

81120 Spill Guard Kit – 50" (Shown)							
Item	Part	Qty	Description	Item	Part	Qty	Description
1	79113	2	Spill Guard, 50"	ns	79115	1	Bolt Bag
<b>79115 Bolt Bag</b>							
2		16	1/2-13 x 1-1/4 Hex Cap Screw SS	4		16	1/2-13 Locknut SS
3		32	1/2 Flat Washer SS	ns	68595	1	Label – Information
ns = not shown				SS = Stainless Steel			

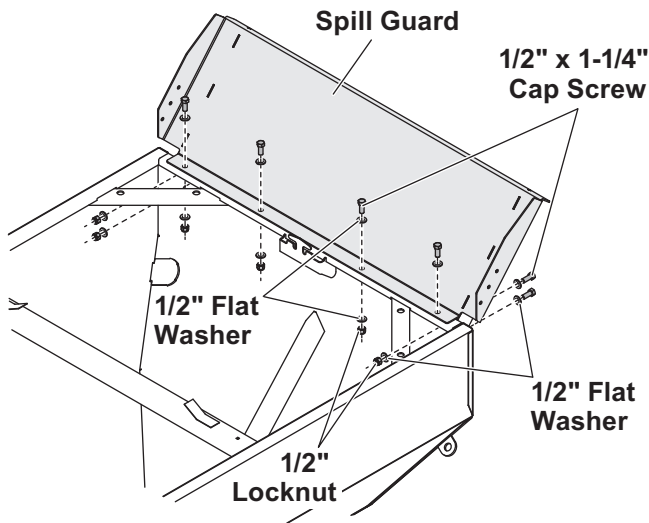
**INSTALLATION INSTRUCTIONS**

**⚠ WARNING**  
 Do not exceed GVWR or GAWR ratings as found on the driver-side vehicle door cornerpost.

**⚠ CAUTION**  
 Read this document before installing the Spill Guard Kit.

**⚠ CAUTION**  
 Use standard methods and practices when attaching spreader and installing accessories, including proper personal protective safety equipment.

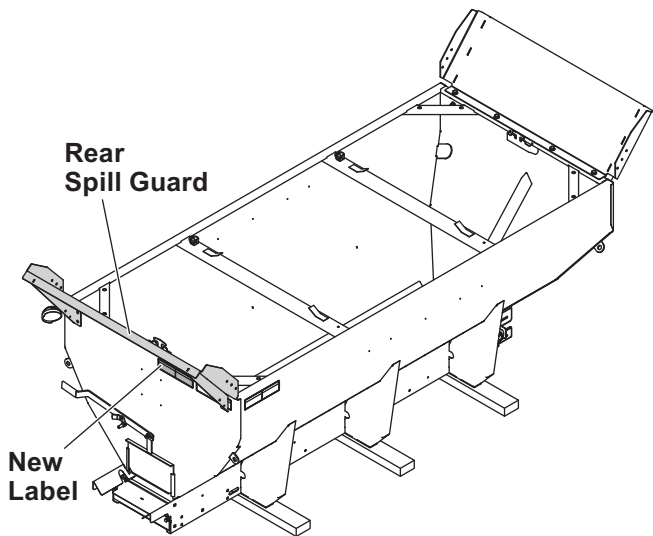
1. Park the vehicle on a smooth, level, hard surface, such as concrete. Turn the vehicle ignition OFF and remove the key.
2. Remove the hopper top screens.
3. Position one of the spill guards on the front of the hopper as shown below.



4. Mark the location of the mounting holes using the spill guard holes as a template.

**⚠ CAUTION**  
 Before drilling holes, check both sides of the material for any wires, fuel lines, fuel tanks, etc., that may be damaged by drilling.

5. Drill 17/32" holes at the locations marked in Step 4.
6. Fasten the spill guard using the supplied 1/2" x 1-1/4" cap screws, 1/2" flat washers, and 1/2" locknuts. Use thread lubricant to avoid galling.
7. Repeat Steps 3–6 for the rear spill guard.
8. Reinstall the top screens.
9. Install the supplied instruction label beside the existing label that is partially covered by the rear spill guard as shown below.



Copyright © 2018 Douglas Dynamics, LLC. All rights reserved. This material may not be reproduced or copied, in whole or in part, in any printed, mechanical, electronic, film, or other distribution and storage media, without the written consent of the company. Authorization to photocopy items for internal or personal use by the company's outlets or spreader owner is granted.

The company reserves the right under its product improvement policy to change construction or design details and furnish equipment when so altered without reference to illustrations or specifications used. This equipment manufacturer or the vehicle manufacturer may require or recommend optional equipment for spreaders. Do not exceed vehicle ratings with a spreader. The company offers a limited warranty for all spreaders and accessories. See separately printed page for this important information.

Printed in U.S.A.