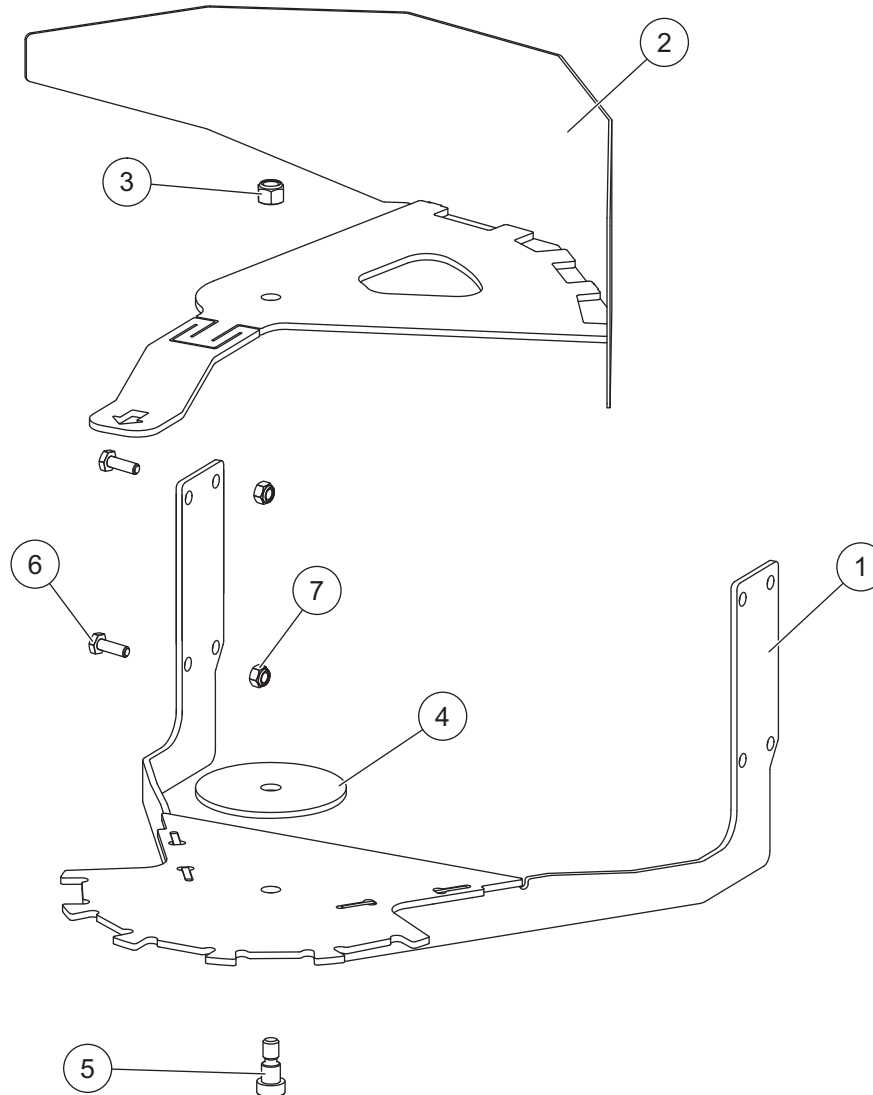


Shutter Deflector Kit

0.7 yd³ & 0.35 yd³ Stainless Steel Hopper Spreaders

PARTS LIST



83270 Shutter Deflector Kit							
Item	Part	Qty	Description	Item	Part	Qty	Description
1		1	Shutter Mount	5		1	5/16-18 x 3/8 x 3/8 Shoulder Bolt SS
2		1	Shutter	6		4	1/4-20 x 3/4 Hex Cap Screw SS
3		1	5/16-18 Hex Locknut GB SS	7		4	1/4-20 Hex Locknut SS
4		1	Plastic Washer				
		G = Grade				SS = Stainless Steel	
						ns = not shown	

INSTALLATION INSTRUCTIONS

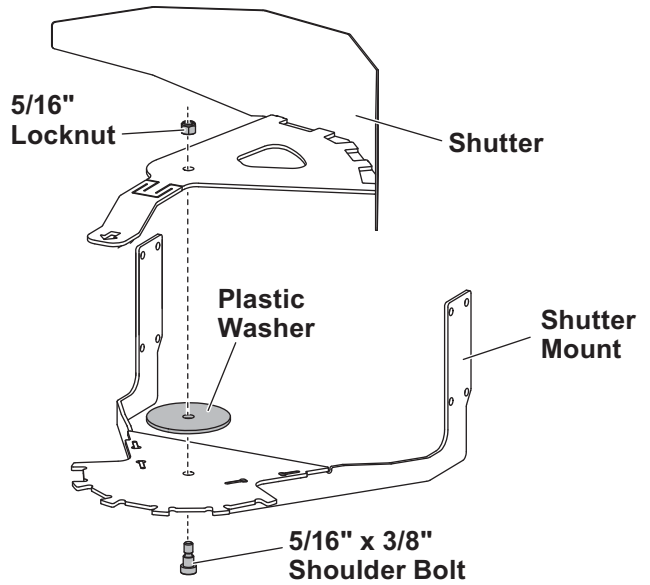
⚠ WARNING
 Do not exceed GVWR or GAWR ratings as found on the driver-side vehicle door cornerpost.

⚠ CAUTION
 Read this document before installing the shutter deflector kit.

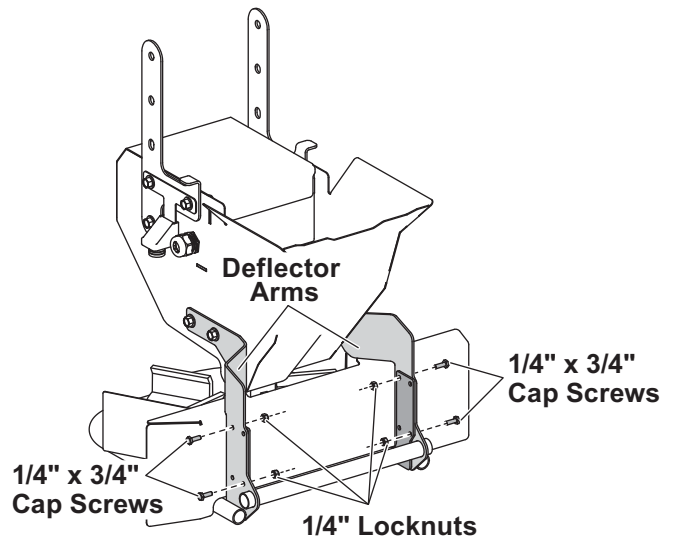
⚠ CAUTION
 Use standard methods and practices when attaching spreader and installing accessories, including proper personal protective safety equipment.

⚠ CAUTION
 See your sales outlet/website for specific vehicle application recommendations before installation. The online selection system has specific vehicle and snowplow requirements.

1. Park the vehicle on a smooth, level, hard surface, such as concrete. Turn the vehicle ignition to the "OFF" position and remove the key.
2. Flip up or remove the chute from the hopper.
3. Assemble the shutter using a 5/16" x 3/8" shoulder bolt, the plastic washer, and a 5/16" locknut as shown in the following illustration. Tighten fasteners.



4. Slide the shutter assembly in from the bottom between the deflector arms.
5. Use two 1/4" x 3/4" cap screws and 1/4" locknuts per side to attach the shutter assembly to the deflector.



6. Torque fasteners. Check and retighten fasteners periodically.

Copyright © 2020 Douglas Dynamics, LLC. All rights reserved. This material may not be reproduced or copied, in whole or in part, in any printed, mechanical, electronic, film, or other distribution and storage media, without the written consent of the company. Authorization to photocopy items for internal or personal use by the company's outlets or spreader owner is granted.

The company reserves the right under its product improvement policy to change construction or design details and furnish equipment when so altered without reference to illustrations or specifications used. This equipment manufacturer or the vehicle manufacturer may require or recommend optional equipment for spreaders. Do not exceed vehicle ratings with a spreader. The company offers a limited warranty for all spreaders and accessories. See separately printed page for this important information.

Printed in U.S.A.