

72530

Halogen H9/H11 Headlamps

Parts List and Installation Instructions

Refer to the literature in the plug-in harness kit
for complete wiring instructions.

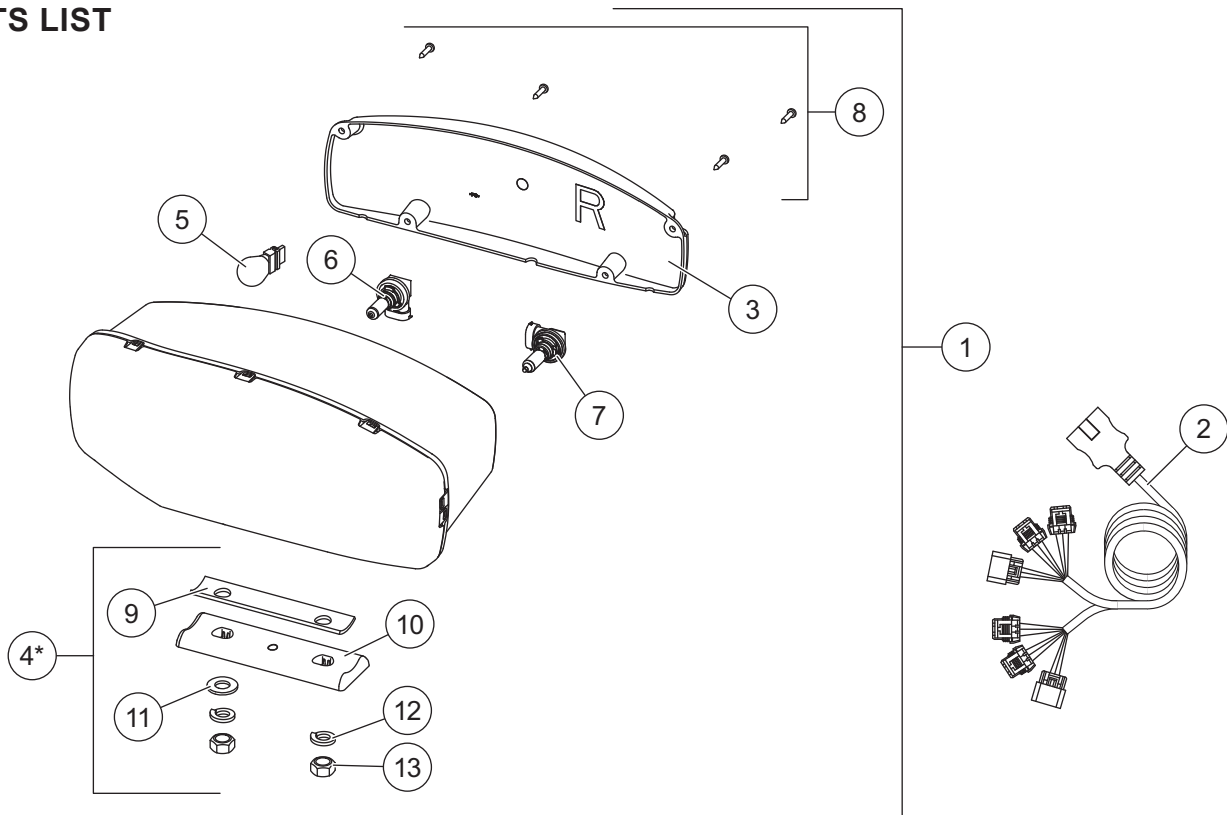
⚠ CAUTION

Read this document before installing the
headlamps.

⚠ CAUTION

See your sales outlet/website for specific
vehicle application recommendations before
installation. The online selection system has
specific vehicle and snowplow requirements.

PARTS LIST



* Includes cover screws (item 8).

38800 Headlamp Kit H9/H11 (pair)							
Item	Part	Qty	Description	Item	Part	Qty	Description
1	38802	1	Headlamp Service Kit H9/H11 – PS	2	38807	1	Harness Service Kit H9/H11
ns	38801	1	Headlamp Service Kit H9/H11 – DS				
Item 1	38801 / 38802 Headlamp Service Kit H9/H11 – PS/DS						
3	38803	1	Rear Cover Kit H9/H11 – PS	6	38811	1	Headlamp Bulb Service Kit H11
ns	38812	1	Rear Cover Kit H9/H11 – DS	7	38809	1	Headlamp Bulb Service Kit H9
4	38804	1	Mounting Hardware Kit H9/H11	8	38808	1	Cover Screws Service Kit H9/H11 (pkg of 4)
5		1	Park/Turn Bulb (trade no. 4157NAK)				
Item 2	38807 Harness Service Kit H9/H11						
		1	Plow Lighting Harness, 11-Pin H9/H11	ns	4	4	Cable Tie 8"
				ns	7	7	Cable Tie 15"
Item 4	38804 Mounting Hardware Kit H9/H11						
8	38808	1	Cover Screws Service Kit H9/H11	11		1	1/2 Flat Washer
9		1	Rubber Mounting Gasket	12		2	1/2 Spring Lock Washer
10		1	Plastic Swivel Cup	13		2	1/2 Hex Nut
90730 200A Fuse Kit							
ns	90729	1	200A Fuse	ns	29071	1	8" Cable Assembly
ns	95837	1	Fuse Holder				
Electrical Parts Bag							
ns	72168	1	Vehicle Battery Cable	ns	61548K	1	Plug Cover Kit (pkg of 2)
ns	28587	1	Vehicle Control Harness	ns	66130	1	Rubber Grommet
ns = not shown							

INSTALLATION INSTRUCTIONS

⚠ CAUTION

Read this document before installing the Halogen headlamp hardware mounting kit.

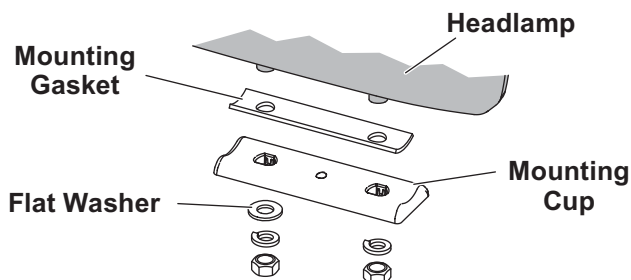
⚠ CAUTION

Use standard methods and practices when attaching snowplow and installing accessories, including proper personal protective safety equipment.

NOTE: If the headlamp attachment point has only one hole per side, consult your sales outlet before installing these headlamps.

HEADLAMP INSTALLATION

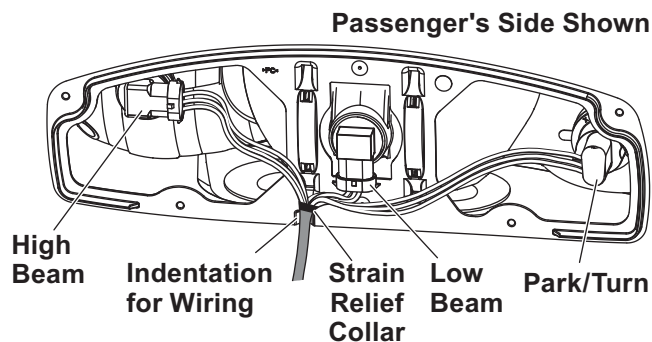
1. If applicable, remove the old headlamps from the snowplow. Install the headlamp extension bracket kit or modify the headlamp attachment point as recommended for that model of snowplow.
2. Place a mounting gasket on the curved side of the mounting cup. Slide the mounting cup and gasket onto the underside of the headlamp.



3. Insert the two headlamp posts into the holes in the snowplow's headlamp attachment point, making sure that the turn signal light is toward the outside.
4. Slide a flat washer onto the headlamp post inserted through the slotted hole, then install a lock washer and nut onto each headlamp post and hand tighten.

HARNES INSTALLATION

1. The short leg of the headlamp harness plugs into the driver-side headlamp and the long leg plugs into the passenger-side headlamp. Plug the harness connectors into the headlamp bulbs as shown. **Confirm that the black plug goes to the low beam (center) and the white/gray plug goes to the high beam.**



2. Fully install the park/turn bulb into the park/turn socket on the wiring harness. The bulb is fully installed when it clicks in place.
3. Insert and rotate the park/turn socket into the back of the headlamp.
4. To prevent chafing, make sure to route the wires through the indentation in the bottom edge of the headlamp housing.
5. Install the rear headlamp cover, making sure that the strain relief collar is above the indentation in the housing. Tighten the cover screws until snug.
6. If not previously installed on the snowplow, route the headlamp harness as instructed in the snowplow Installation Instructions.
7. Follow the Snowplow Headlamp Beam Aiming instructions (Lit. No. 27769). Fully tighten the headlamp fasteners to 22 ft-lb.

Copyright © 2020 Douglas Dynamics, LLC. All rights reserved. This material may not be reproduced or copied, in whole or in part, in any printed, mechanical, electronic, film, or other distribution and storage media, without the written consent of the company. Authorization to photocopy items for internal or personal use by the company's outlets or snowplow owner is granted.

The company reserves the right under its product improvement policy to change construction or design details and furnish equipment when so altered without reference to illustrations or specifications used. This equipment manufacturer or the vehicle manufacturer may require or recommend optional equipment for snow removal. Do not exceed vehicle ratings with a snowplow. The company offers a limited warranty for all snowplows and accessories. See separately printed page for this important information.

Printed in U.S.A.
