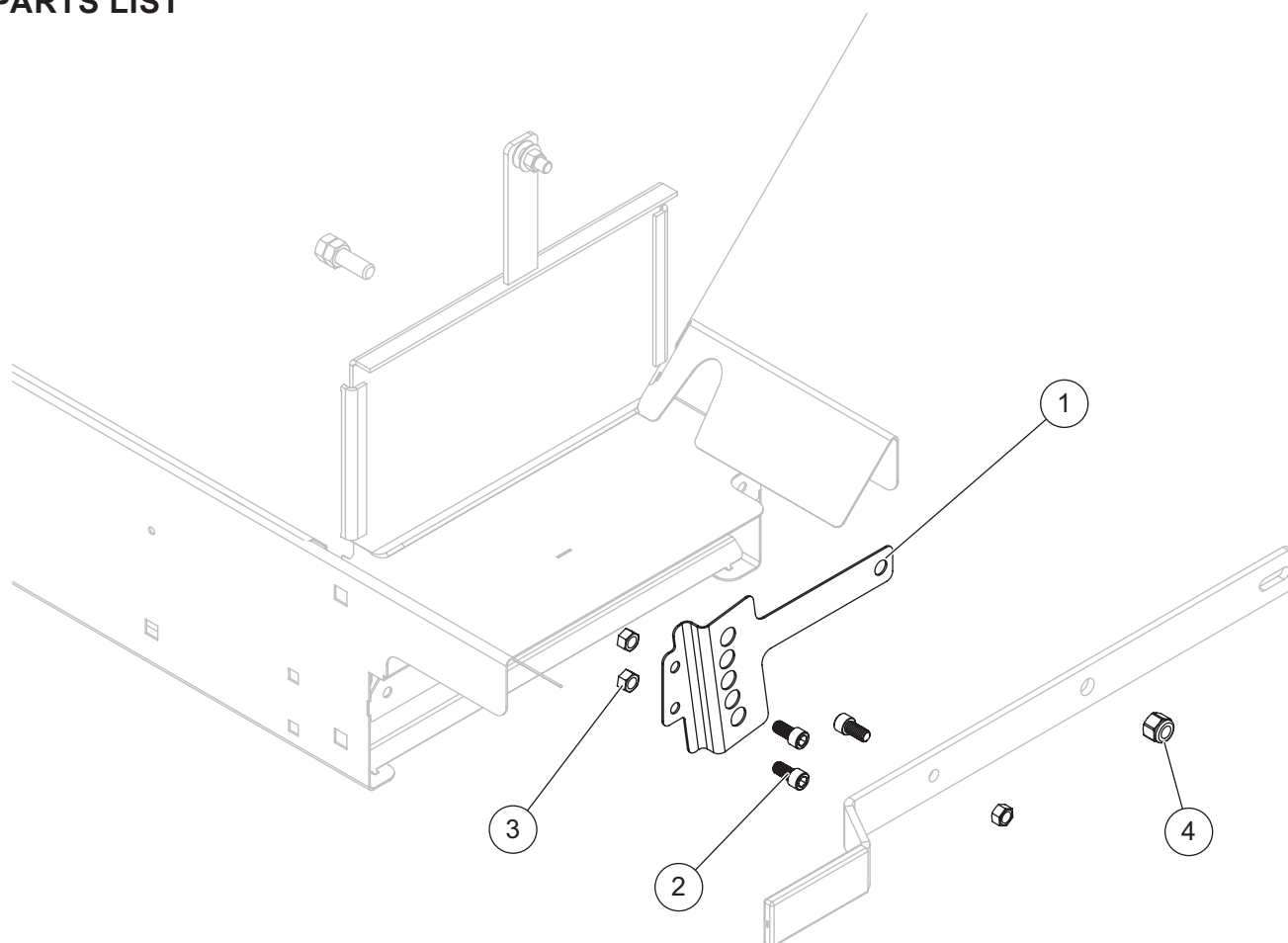


# Feed Gate Kit

## Stainless Steel Hopper Spreaders

**PARTS LIST**



90952 Feed Gate Kit							
Item	Part	Qty	Description	Item	Part	Qty	Description
1	90949	1	Locking Plate	3	91351	3	3/8-16 Locknut GB
2	90839	3	3/8-16 x 3/4 Socket-Head Cap Screw	4	95834	1	1/2-13 Locknut SS
G = Grade				SS = Stainless Steel			

**⚠ CAUTION**

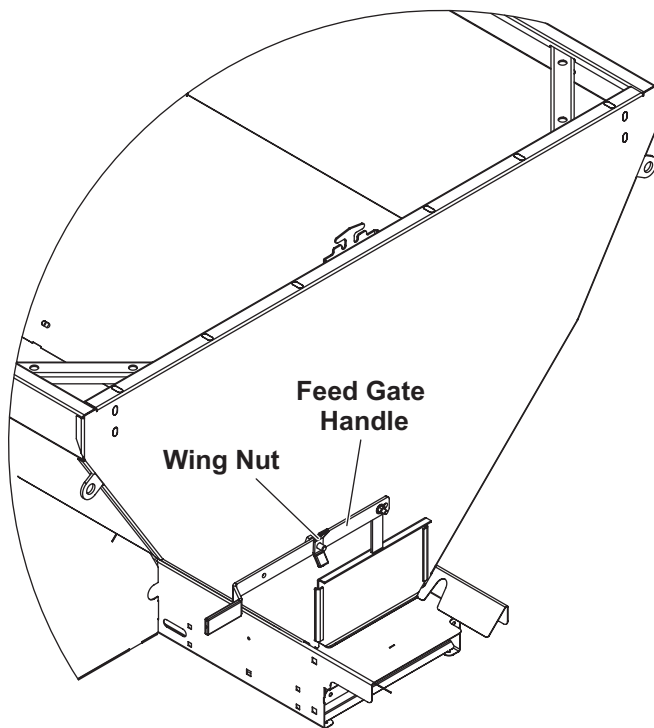
Read this document before installing the Feed Gate Kit.

**⚠ CAUTION**

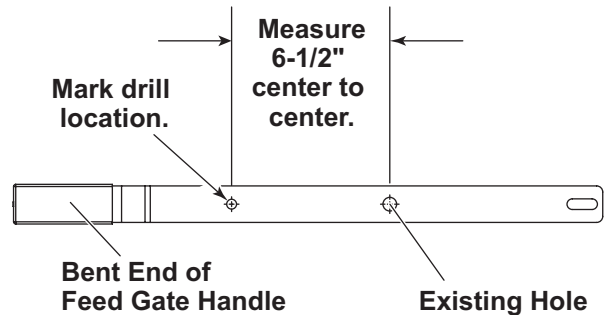
Use standard methods and practices when attaching spreader and installing accessories, including proper personal protective safety equipment.

### INSTALLATION INSTRUCTIONS

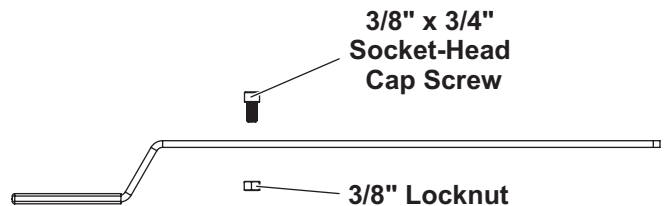
1. Park the vehicle on a smooth, level, hard surface, such as concrete. Turn the vehicle ignition to the "OFF" position and remove the key. Disconnect the wiring harness that provides power to the spreader.
2. Confirm that the feed gate is accessible and level with the ground.
3. Remove the wing nut and the feed gate handle.



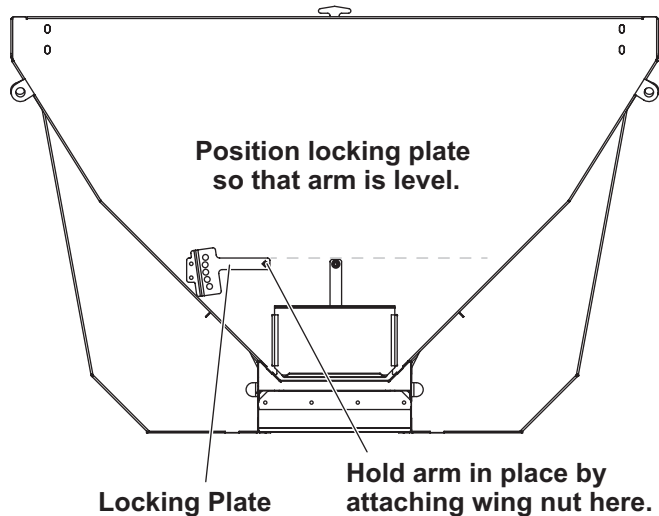
4. From the center of the existing hole in the feed gate handle, measure 6-1/2" toward the bent end and mark a location to drill.



5. Drill a 3/8" hole through the feed gate handle at the location marked in the previous step.
6. Install a 3/8" x 3/4" socket-head cap screw through the hole just drilled in the feed gate handle and secure with a 3/8" locknut (as shown) and tighten fasteners.

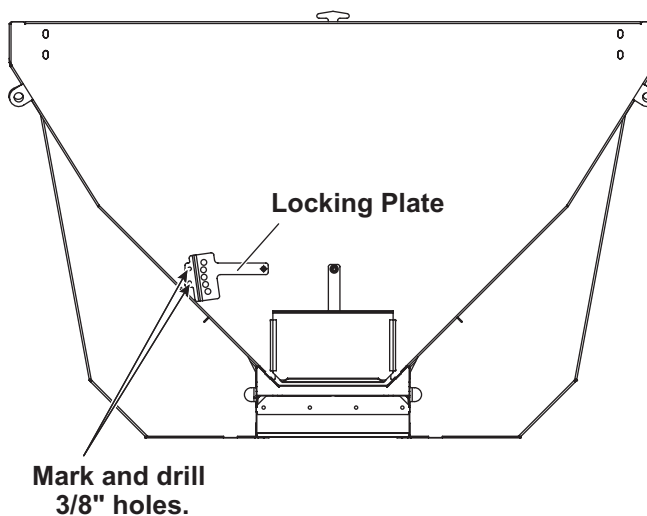


7. Install the locking plate onto the 1/2" cap screw protruding from the back of the hopper. Position the locking plate so that its arm is level and aligned as shown. Temporarily secure the arm in place by reinstalling the wing nut removed in Step 3.

**⚠ CAUTION**

Before drilling holes, check to be sure that no wiring or other components could be damaged.

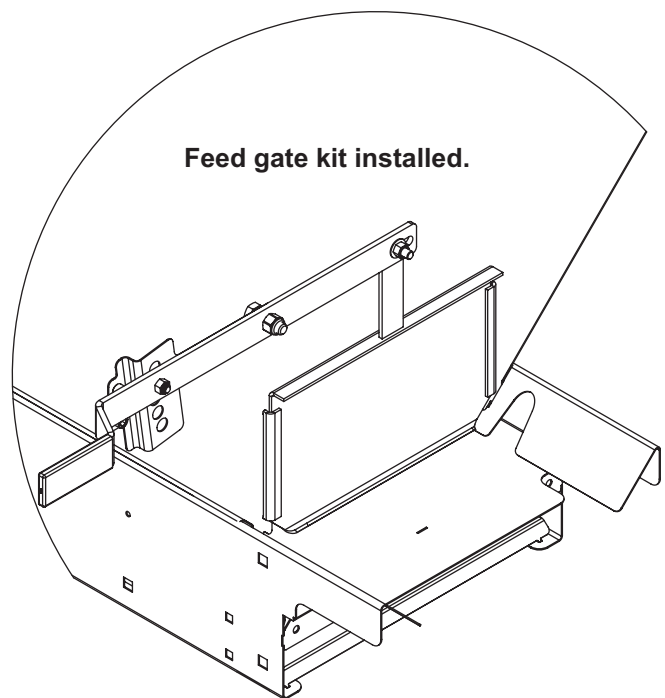
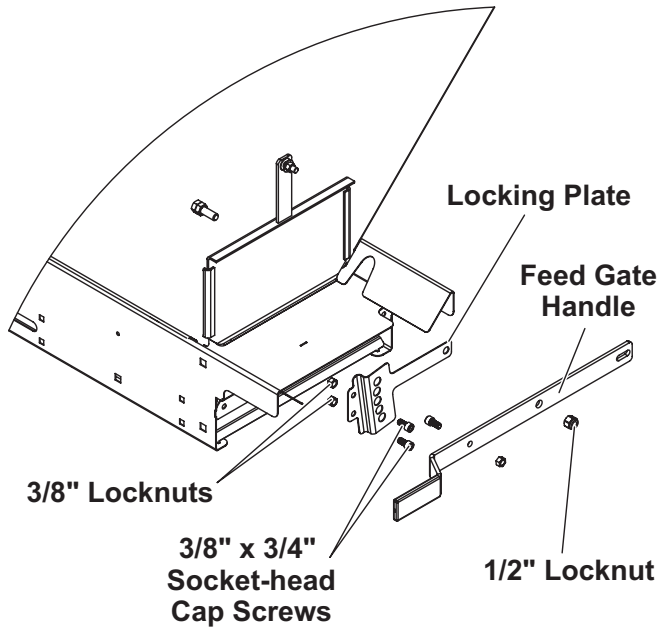
8. Using the two outer holes in the locking plate as guides, mark and drill two 3/8" holes through the hopper.



**NOTE:** Stainless steel is a durable material. For best results, use a sharp drill bit with proper lubrication.

9. Insert the remaining two 3/8" x 3/4" socket-head cap screws through the two outer holes in the locking plate and into the holes drilled in Step 8, and secure with 3/8" locknuts. Tighten fasteners.

Remove and discard the wing nut. Replace the feed gate handle removed in Step 3 and secure with a 1/2" locknut. Hand tighten the locknut, then back off 1/2 turn so that the handle can move freely.



Copyright © 2019 Douglas Dynamics, LLC. All rights reserved. This material may not be reproduced or copied, in whole or in part, in any printed, mechanical, electronic, film, or other distribution and storage media, without the written consent of the company. Authorization to photocopy items for internal or personal use by the company's outlets or spreader owner is granted.

The company reserves the right under its product improvement policy to change construction or design details and furnish equipment when so altered without reference to illustrations or specifications used. This equipment manufacturer or the vehicle manufacturer may require or recommend optional equipment for spreaders. Do not exceed vehicle ratings with a spreader. The company offers a limited warranty for all spreaders and accessories. See separately printed page for this important information.

Printed in U.S.A.