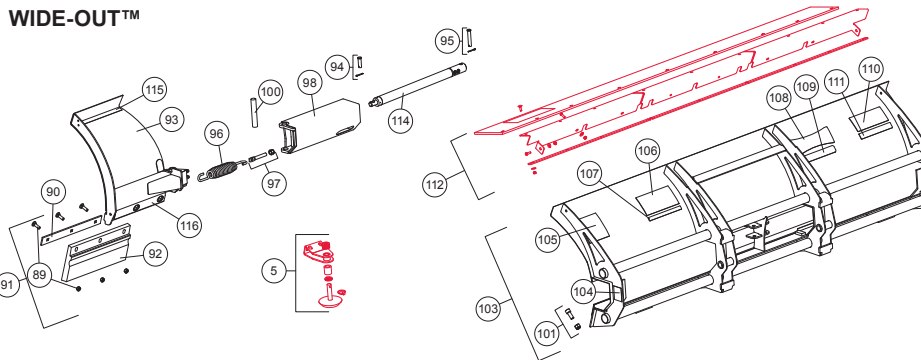
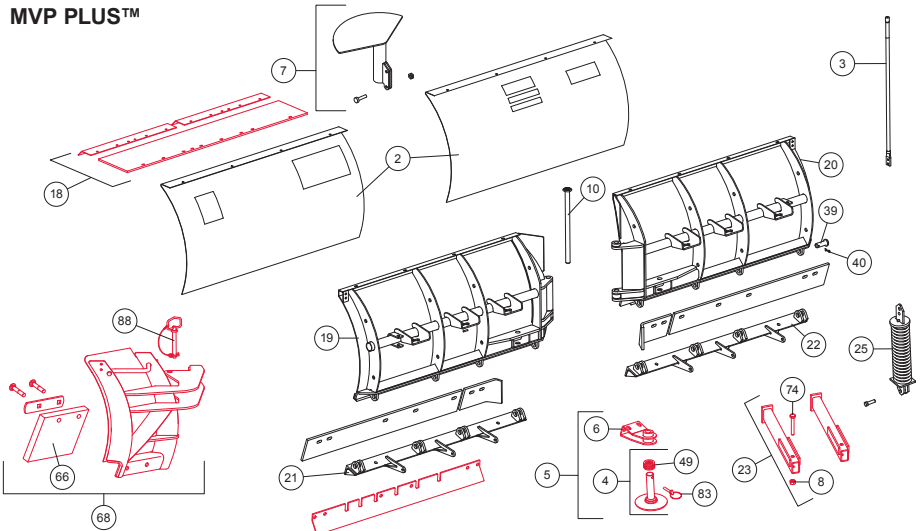
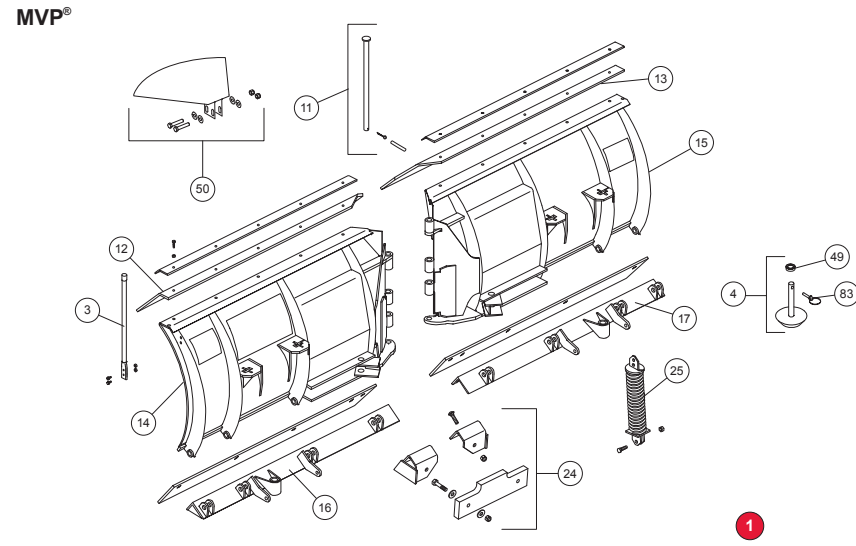


## BLADES



\* Does not include Retainer Bar (Item 2)  
\*\* Red outlined parts are optional accessories. \*\*

## Western Products

P.O. Box 245038 • Milwaukee, WI 53224-9538  
Use only genuine WESTERN® replacement parts.

Copyright © 2009 Douglas Dynamics, L.L.C. All rights reserved. This material may not be reproduced or copied, in whole or in part, in any printed, mechanical, electronic, film or other distribution and storage media, without the written consent of Western Products. Authorization to photocopy items for internal or personal use by Western Products outlets or snowplow owner is granted.

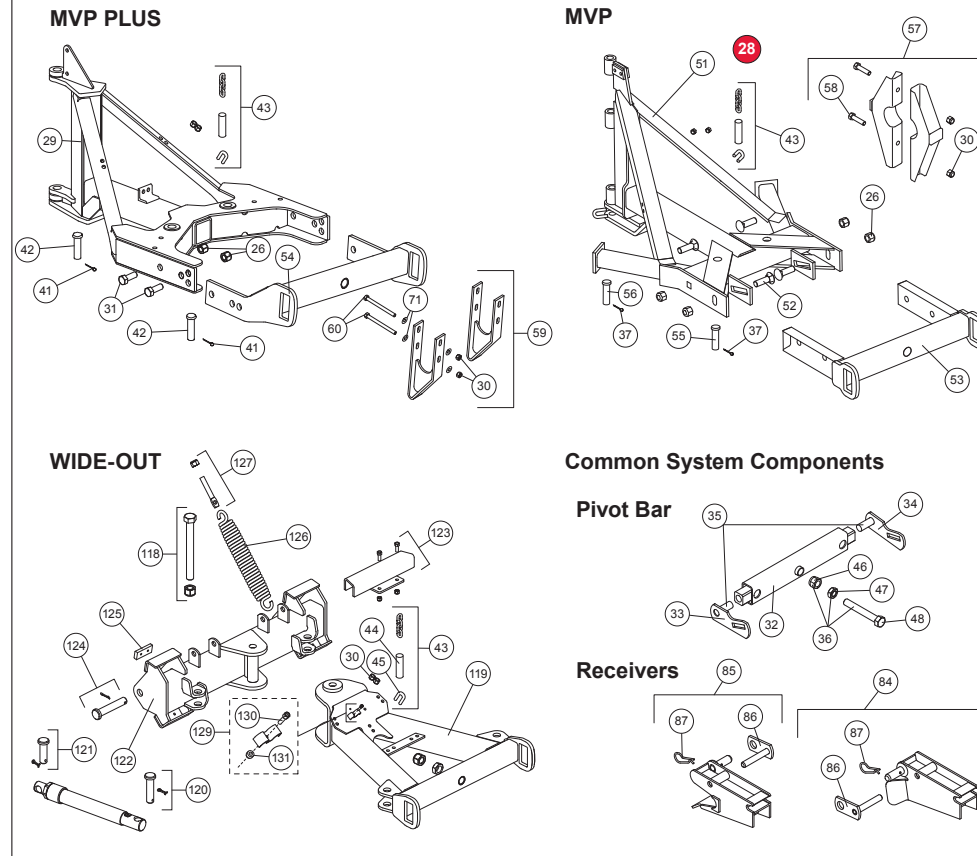
Western Products reserves the right under its product improvement policy to change construction or design details and furnish equipment when so altered without reference to illustrations or specifications used. Western Products or the vehicle manufacturer may require or recommend optional equipment for snow removal. Do not exceed vehicle ratings with a snowplow. Western Products offers a limited warranty for all snowplows and accessories. See separately printed page for this important information. The following are registered (®) or unregistered (™) trademarks of Douglas Dynamics, L.L.C.: CONTRACTOR GRADE™, MVP®, MVP PLUS™, ULTRAFINISH™, UltraMount®, WESTERN®, WIDE-OUT™.

Printed in U.S.A.



INTERACTIVE PARTS POSTER AVAILABLE AT [WWW.WESTERNPLOWS.COM](http://WWW.WESTERNPLOWS.COM)

## T-FRAME, A-FRAME, QUADRANT



### Common System Components

#### Pivot Bar

#### Receivers

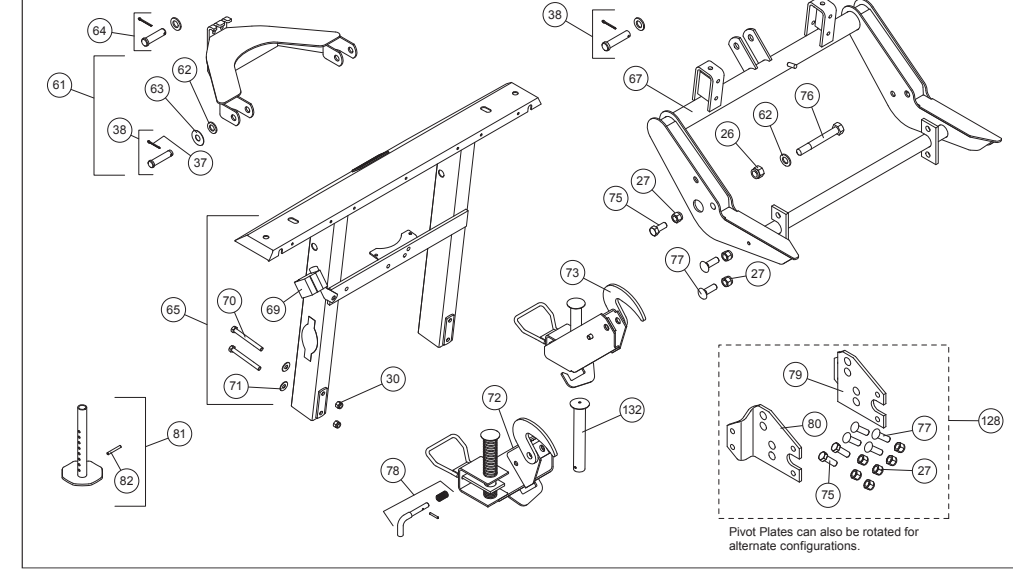
## ACCESSORIES

Size	Model	Blade	Back Drag Edges	Cutting Edge	
				3/8"	1/2"
8-1/2'	MVP with Carbide (Driver-Side)	---	---	62649	---
8-1/2'	MVP with Carbide (Passenger-Side)	---	---	63284	---
8-1/2'	MVP Kit with Carbide (Driver-Side and Center Flap Kit)	---	---	63540	---
8-1/2'	MVP without Carbide (Either Side)	---	---	21608	28407
8-1/2'	MVP Kit without Carbide (Driver-Side, Passenger-Side and Center Flap Kit)	---	---	64213	28409
9-1/2'	MVP (Either Side)	---	---	---	63678
9-1/2'	MVP Kit (Driver-Side, Passenger-Side and Center Flap Kit)	---	---	---	66420
7-1/2'	MVP PLUS	44281-2	44561-1	44284-1	---
8-1/2'	MVP PLUS	44282-2	44564-1	44285-1	---
9-1/2'	MVP PLUS	44283-2	---	44567-1	---
---	WIDE-OUT	52278	---	---	64775

## PARTS LIST

Item	Part	Description	Item	Part	Description
44475-1	7-1/2'	MVP PLUS Blade Assy	3	62595	24" Commercial Blade Guides
44485-1	8-1/2'	MVP PLUS Blade Assy	4	62637	Disc Shoe Assy
44495-1	9-1/2'	MVP PLUS Blade Assy	5	44277-1	Shoe Kit - Set of 2
44575-1	7-1/2'	Poly MVP PLUS Blade Assy	6	44728	Shoe Bracket
44585-1	8-1/2'	Poly MVP PLUS Blade Assy	7	44570	Center Snow Control Kit (7-1/2' & 8-1/2' MVPPP)
44595-1	9-1/2'	Poly MVP PLUS Blade Assy	7	44571	Center Snow Control Kit (9-1/2' MVPPP)
51810	---	WIDE-OUT Blade Assy	8	91335	1/2"-13 Hex Locknut GB
44715	7-1/2'	MVP PLUS Moldboard	9	98043	3/8"-16 x 1" Button Cap Screw
44716	8-1/2'	MVP PLUS Moldboard	10	44028	Main Pivot Pin
44717	9-1/2'	MVP PLUS Moldboard	11	62638	Pivot Pin Kit
44718	7-1/2'	Poly MVP PLUS Moldboard	12	62614	Rubber Deflector w/Logo (8-1/2' MVP)
44719	8-1/2'	Poly MVP PLUS Moldboard	12	63664	Rubber Deflector w/Logo (9-1/2' MVP)
44720	9-1/2'	Poly MVP PLUS Moldboard			

## LIFT FRAME ASSEMBLIES



Pivot Plates can also be rotated for alternate configurations.

## PARTS LIST

Item	Part	Description	Item	Part	Description
67	67556-1	Lower Lift Frame	67	67556-1	Lower Lift Frame
13	26586	Rubber Deflector (8-1/2' MVP)	68	44510-1	Blade Wing Extension Kit (MVPP 8-1/2' and 9-1/2' only)
14	63956	Blade Half Replacement DS (8-1/2' MVP)	69	61246	Cable Boot
15	63958	Blade Half Replacement DS (9-1/2' MVP)	70	67764	3/8-16 x 3-3/4 Hex Cap Screw G5
16	64029	Base Angle DS (8-1/2' MVP)	71	90315	3/8 Flat Washer
17	63960	Base Angle DS (9-1/2' MVP)	72	67845	Stand Assy DS
18	64030	Base Angle PS (8-1/2' MVP)	73	67846	Stand Assy PS
19	63961	Base Angle PS (9-1/2' MVP)	74	90109	1/2-13 x 4-1/2 Hex Cap Screw G5
20	44280	Deflector Kit (Universal)	75	90127	5/8-11 x 1-1/2 Hex Cap Screw G5
21	44730	Blade Half Replacement DS (7-1/2' MVPPP)	76	66451	3/4-10 x 6 Hex Cap Screw G5
22	44731	Blade Half Replacement DS (8-1/2' MVPPP)	77	5572	5/8-11 x 2 Carriage Bolt G5
23	44732	Blade Half Replacement DS (9-1/2' MVPPP)	78	67844	Stand Lock Pin Kit
24	44733	Blade Half Replacement PS (7-1/2' MVPPP)	79	67707	Pivot Plate A
25	44734	Blade Half Replacement PS (8-1/2' MVPPP)	80	67708	Pivot Plate B
26	44735	Blade Half Replacement PS (9-1/2' MVPPP)	81	67847	Stand Shoe Kit
27	44142	Base Angle DS (7-1/2' MVPPP)	82	67635	1/4 x 2 Roll Pin BP
28	44144	Base Angle DS (8-1/2' MVPPP)	83	93010K	7/16 x 1-3/4 Linch Pin (2 Pack)
29	44146	Base Angle DS (9-1/2' MVPPP)	84	67858	Receiver Kit DS
30	44143	Base Angle PS (7-1/2' MVPPP)	85	67859	Receiver Kit PS
31	44145	Base Angle PS (8-1/2' MVPPP)	86	67665	Receiver Pin
32	44147	Base Angle PS (9-1/2' MVPPP)	87	91965K	5/32 Hairpin Cotter
33	44473	Blade Stop Kit (MVPP)	88	67921	Hitch Pin 5/8 x 4.75
34	62636	MVP Center Flap Kit	89	50642	Bolt Kit, Urethane Edge
35	21452	Removable Spring Assy	90	50644	Retainer Bar
36	91338	3/4-10 Hex Locknut GB	91	50626	Kit, Urethane Edge Assy
37	91337	5/8-11 Hex Locknut GB	92	50645	Urethane Edge
38	64036	T-Frame (MVP)	93	50649	DS Blade Wing, WIDEOUT
39	44546-1	T-Frame (MVPPP)	ns	50650	PS Blade Wing, WIDEOUT
40	91333	3/8-16 Hex Locknut GB	94	50651	5/8 x 2 Pin Kit
41	90286	3/4-10 x 2 Hex Cap Screw G5	95	50653	5/8 x 3 Pin Kit
42	67842	Pivot Bar Kit	96	50654	Wing Spring
43	67974	Pivot Pin DS	97	66421	Eyebolt Kit
44	67977	Pivot Pin PS	98	50658	DS Blade Slidebox, WIDEOUT
45	66812	Pivot Pin Kit	ns	50659	PS Blade Slidebox, WIDEOUT
46	67855	Pivot Bolt Kit	100	50660	Wing Pin
47	91911K	5/32 x 1-1/2 Cotter Pin	101	50661	Stop Bolt Kit
48	93063K	3/4 x 3-1/4 Clevis Pin Kit	102	64775	Cutting Edge Kit
49	27227	1 x 2-3/4 Clevis Pin	103	50667	WIDE-OUT Blade
50	90607	1/4 x 1-3/4 Cotter Pin	104	29593	Label, Multiple Pinch Points
51	90601	1/4 x 1-1/2 Cotter Pin	105	59900	Label, Information (Warning)
52	22260	1 x 4-3/4 Clevis Pin	106	67796	Label, Identification
53	49033	Replacement Chain Assy	107	50577	Label, Patent Information
54	65508	Plastic Tube	108	50617	Label, WIDE-OUT ID
55	90571	3/8-16 x 1-1/2 U-Bolt	109	28404	Label, Identity ULTRAFINISH™
56	91340	1"-8 Hex Locknut GB	110	44451	Label, Identity WESTERN® 8.31
57	67748	1"-8 Hex Jam Nut G5	111	50603	Label 8"-10" WIDE-OUT
58	67552	1-8 x 7 Hex Cap Screw G5	112	52280	Deflector Kit, WIDEOUT
59	91192	Round Flat Washer - Special	114	B60347	Hydraulic Cylinder, Slide Box
60	63952	Center Deflector Assy	ns	B60373	Combo Seal Kit, Cylinder B60374
61	63740	Front T-Frame	115	50639	Wear Strip - Wing Top
62	63913	3/4-10 x 2-1/2 Carriage Bolt	116	50638	Wear Strip - Wing Bottom
63	63745	Rear T-Frame	ns	50618	Label, WIDE-OUT Wings
64	44557-1	Pushbeam (MVPP)	ns	40986	Label, Identity - CONTRACTOR GRADE®
65	93077K	1 x 4 Rivet	118	50668	Kit, Pivot Bolt
66	6817	1 x 6 Pivot Pin	119	50670	Kit, A-Frame
67	64031	Stacking Stop Kit (MVP)	120	50672	Pin Kit, Base End
68	66439	3/8-16 x 1-1/2 Hex Cap Screw G5	121	50674	Pin Kit, Rod End
69	44727	Stacking Stop Kit (MVPP)	122	50675	Quadrant Assy, WIDEOUT
70	44413	3/8-16 x 4-1/2 Hex Cap Screw G5	123	50676	Kit, Stacking Stop
71	67850-1	Lift Arm Assy	124	50677	Pin Kit
72	91147	3/4 Flat Washer	125	63976	Kit, Bumper
73	67727	Round Flat Washer - Special	126	23039	Trip Spring
74	64617	3/4 x 3 Clevis Pin Kit	127	66421	Eyebolt Kit
75	44545	Upper Lift Frame Assy (MVPP)	128	67843	Pivot Plate Service Kit
76	67853	Upper Lift Frame Assy (MVP)	129	49479	Hose Bracket Kit
77	44508	Cutting Edge Blade Wing	130	44880	1/4-20 x 1-1/4 Socket Cap Screw G5
78	91331	1/4-20 Hex Locknut GB	131	91331	1/4-20 Hex Locknut GB
79	67682	Stand Plunger	132	67682	Stand Plunger