



Straight Blade Service Parts for Hydraulic Assemblies and Lighting Assemblies



PARTS LIST

Table of Contents

| | |
|---|---|
| Hydraulic Unit | 1 |
| Motor Manufacturer Identification and Service Parts | 3 |
| Ram Components | 4 |
| Hydraulic System | 5 |
| Bolt Bag and O-Ring Kit Components | 6 |
| Snowplow Lights and Vehicle Components | 7 |
| Abbreviations | 8 |

FloStat® Hydraulic Kit Parts List

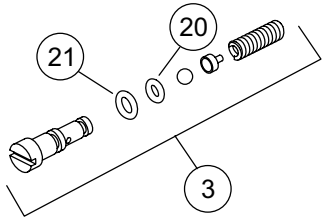
| 56588 & 63999 FloStat HYDRAULIC KITS | | | |
|--------------------------------------|----------------------------------|-------------------------------|--------------------|
| Part | Description | Qty | |
| | | PRO-PLOW® & Standard 56588 | PRO PLUS® 63999 |
| 56544 | HYDRAULIC UNIT – FloStat | 1 | 1 |
| 56538K | RAM ASSEMBLY 1-1/2 X 8 KIT | 1 | 1 |
| 56614 | RAM ASSEMBLY 1-1/2 X 10 KIT | 2 | |
| 64148 | RAM ASSEMBLY 1-1/2 X 12 KIT | | 2 |
| 21294 | PLOW BATTERY CABLE | 1 | 1 |
| 61169 | VEHICLE BATTERY CABLE | 1 | 1 |
| 22511 | BATTERY CABLE 22" RED | 1 | 1 |
| 61246 | CABLE BOOT | 1 | 1 |
| 56616 | HOSE, 1/4 X 42 W/FJIC ENDS | 2 | 2 |
| 56617 | HOSE, 1/4 X 16 W/FJIC ENDS | 1 | 1 |
| 63125 | BOLT BAG ASSY LARGE – See page 6 | 1 | 1 |

For a list of abbreviations, see page 8.

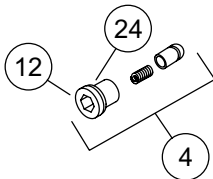
PARTS LIST

FloStat® Hydraulic Unit Parts Diagram

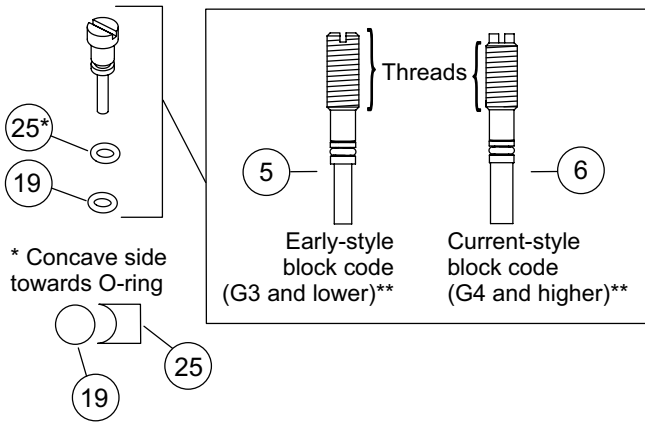
Assembly A RELIEF VALVE KIT



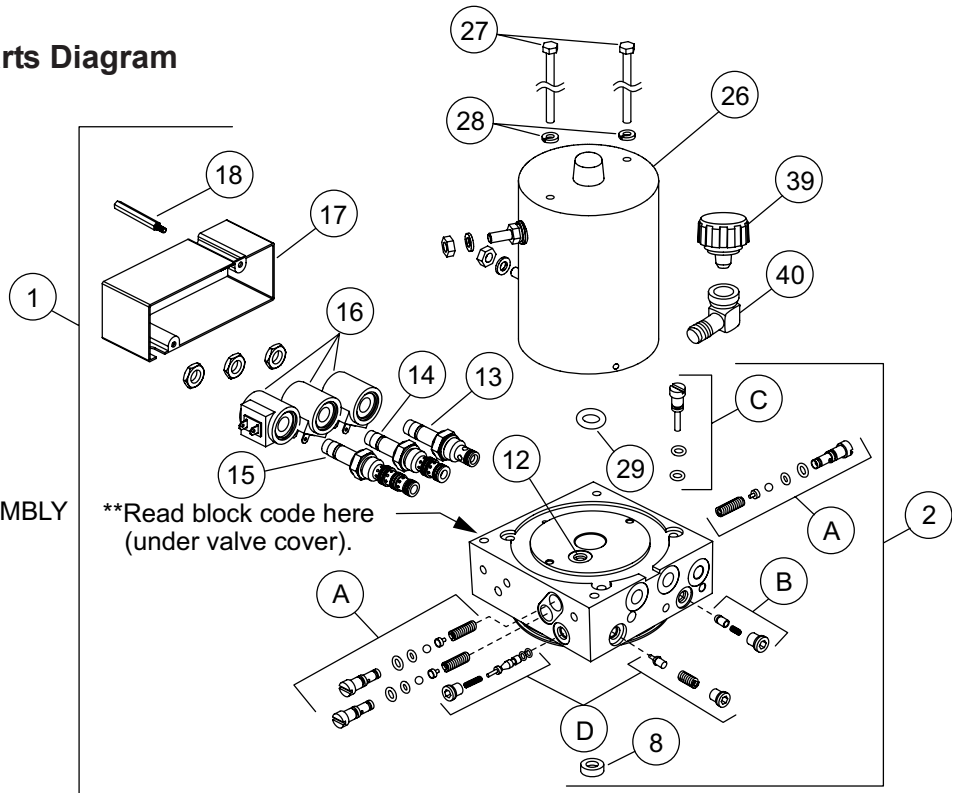
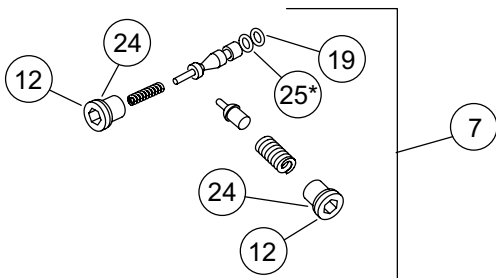
Assembly B BYPASS CHECK VALVE ASSEMBLY



Assembly C QUILL ASSEMBLY



Assembly D POPPET CHECK VALVE KIT



PARTS LIST

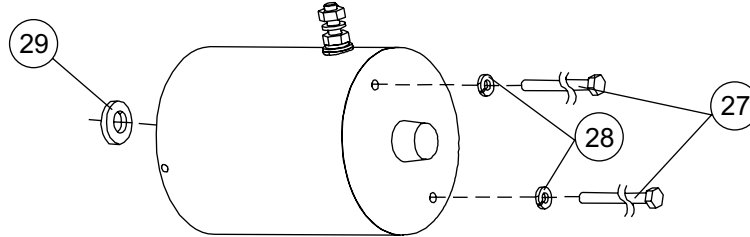
| 56544 HYDRAULIC UNIT – FloStat® | | | |
|--|---------|-------|--|
| Item | Part | Qty | Description |
| 1 | 56608 | 1 | VALVE MANIFOLD ASSY FS |
| 2 | 56610 | 1 | MANIFOLD ASSY FS |
| 3 | 49138K | 1-1/2 | RELIEF VALVE KIT – 2 SETS |
| 4 | 56507 | 1 | BYPASS CHECK VALVE ASSEMBLY |
| 5 | 66509 | 1 | QUILL ASSY |
| 6 | 56662 | 1 | QUILL ASSY |
| 7 | 49226K | 1 | POPPET CHECK VALVE KIT |
| 8 | 66515 | 1 | PUMP SHAFT SEAL |
| 10 | 66607 | 4 | 10-24X5/16 MACHINE SCREW |
| 12 | 92960 | 4 | 3/8-24 HX SO O-RING BOSS PLUG |
| 13 | 49227K | 1 | CARTRIDGE 20 W/JAM NUT |
| 14 | 66608 | 1 | CARTRIDGE 31 W/JAM NUT |
| 15 | 49229K | 1 | CARTRIDGE 40 W/JAM NUT |
| 16 | 49230K | 3 | COIL W/SPADE TERMINALS |
| 17 | 21394 | 1 | COVER ASSY |
| 18 | 56580 | 2 | SCREW, STANDOFF ZYC |
| 19 | 25622 | 2 | O-RING – 006 |
| 20 | 55371 | 3 | O-RING – 008 |
| 21 | 25731 | 3 | O-RING – 010 |
| 22 | 56274 | 1 | O-RING – 013 |
| 23 | 66519 | 1 | O-RING 2 – 250 |
| 24 | 26784 | 4 | O-RING –903 |
| 25 | 56315 | 2 | BACK-UP RING – 006 |
| 26 | 21500 | 1 | MOTOR ASSY 4-1/2" – FS |
| 27 | – | 2 | HEX CAP SCREW – See page 3 |
| 28 | – | 2 | SPRING LOCK WASHER – See page 3 |
| 29 | – | 1 | FIBER THRUST WASHER – See page 3 |
| 30 | 21830 | 1 | RESERVOIR KIT |
| 31 | 92079 | 1 | PLUG 3/8 NPTF SQ |
| 32 | 92095 | 1 | PLUG 1/4 NPTF HX SO THREAD SEAL |
| 33 | 73897 | 1 | MAGNET |
| 34 | 21501 | 1 | HYD PUMP KIT – FS |
| 35 | 66763 | 1 | INLET FITTING/FILTER KIT |
| 36 | 56789 | 1 | SUCTION FILTER KIT |
| 37 | 90073 | 5 | 5/16-18X2-1/4 HEX CAP SCREW G5 |
| 39 | 21727-2 | 1 | BREATHER, PRESSURE CONTROL |
| 40 | 21726 | 1 | 3/8 NPTFX90 STREET ELBOW BRASS |
| 41 | 66405 | 1 | RETURN SCREEN ASSY |
| 42 | – | 1 | RETAINER CLIP |
| 43 | 56416 | 1 | O-RING – 014 |
| 44 | 28479 | 1 | INLET FITTING KIT |
| NS | – | 1 | BRUSH KIT – See page 3 |
| NS | 56657 | 1 | O-RING & BACK-UP RING KIT – SOL – See page 6 |
| NS | 49258 | 1 | SEAL KIT – CARTRIDGE 20 |
| NS | 49259 | 1 | SEAL KIT – CARTRIDGE 30, 31, 33, 40, AND 43 |

For a list of abbreviations, see page 8.

PARTS LIST

Motor Manufacturer Identification and Service Parts

Photos show terminal positions and end caps for brand identification.
(Motors shown with flanges. Flange not used in UltraMount® application.)



| Item | Part | Qty | Description |
|------|-------|-----|-------------------------------------|
| NS | 56620 | 1 | BRUSH KIT – BOSCH 2 TERMINAL WP |
| 27 | 21508 | 2 | 1/4-20X6-1/4 HEX CAP SCREW G5 |
| 28 | 91201 | 2 | 1/4 SPRING LOCK WASHER |
| 29 | 21535 | 1 | 5/8 FIBER THRUST WASHER (drive end) |

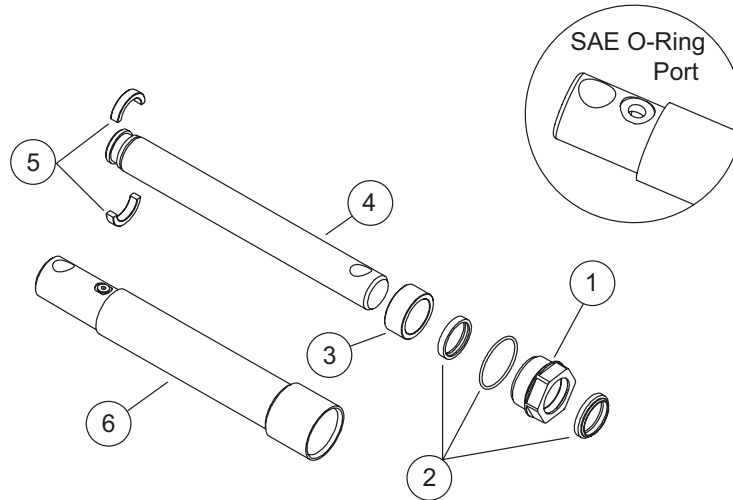
| Item | Part | Qty | Description |
|---------|-------|-----|---|
| NS | 56638 | 1 | END CAP W/ O-RING KIT |
| NS | 56622 | 1 | BRUSH KIT – PRESTOLITE 2 |
| 27 & 28 | 56621 | 1 | THRU-BOLT KIT – PRESTOLITE 2 (Includes cap screws and special washers) |
| 29 | 56641 | 1 | THRUST WASHER KIT – PRESTOLITE (Includes retaining ring for early production) |

For a list of abbreviations, see page 8.

PARTS LIST

Ram Components

Ram Equipped w/ O-Ring Port/Gland Nut

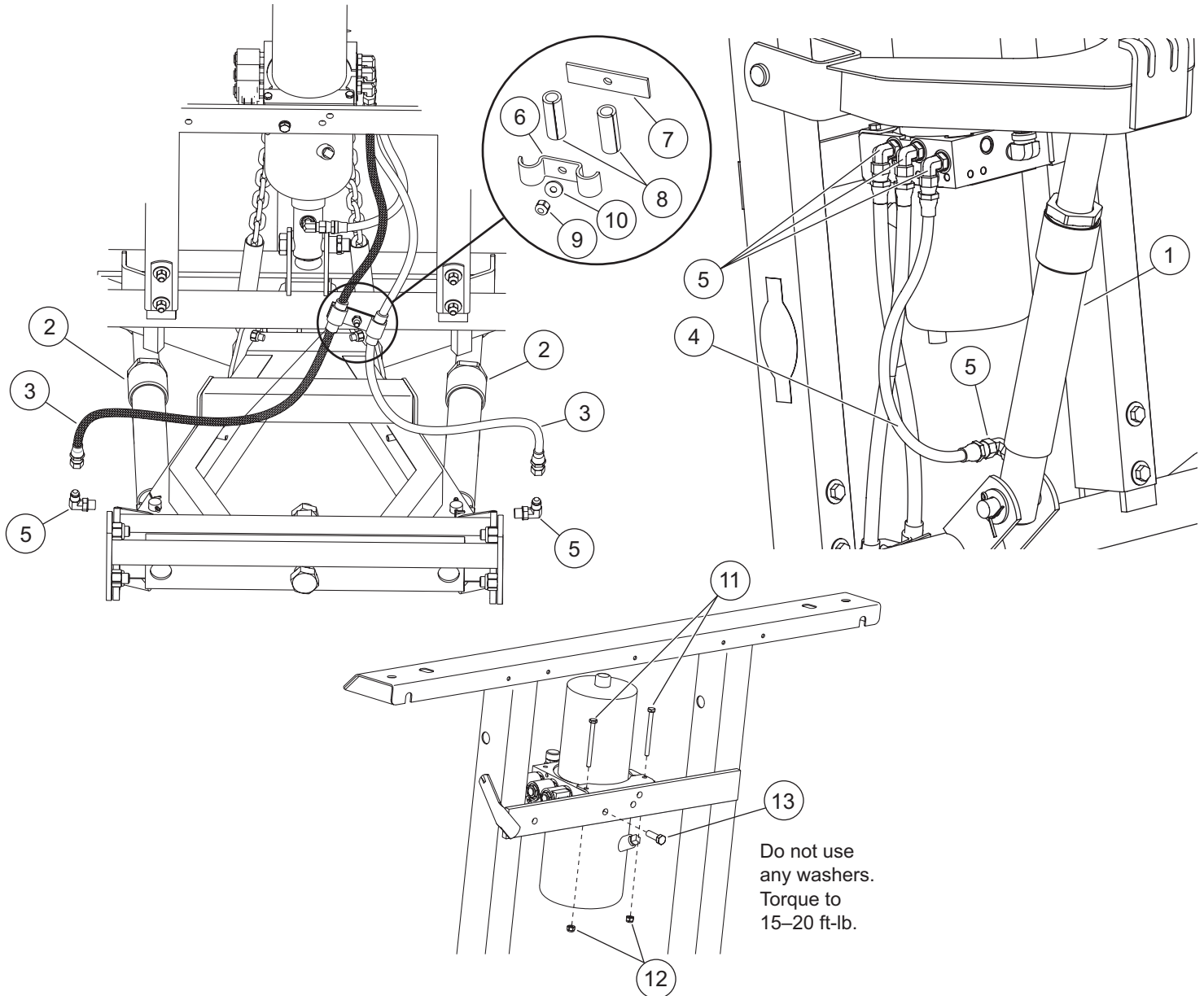


| RAM ASSEMBLY PARTS LIST | | | | | |
|-------------------------|-------------------------------|-----|---|---|---|
| Item | Description | Qty | Part | | |
| | | | RAMS W/ O-RING/GLAND NUT | | |
| | | | 56538K RAM ASSEMBLY 1-1/2 X 8 KIT | 56614 RAM ASSEMBLY 1-1/2 X 10 KIT | 64148 RAM ASSEMBLY 1-1/2 X 12 KIT |
| 1 | GLAND NUT ASSY – POLYPAK SEAL | 1 | 56555 | 56555 | 56555 |
| 2 | SEAL KIT W/POLYPAK SEAL | 1 | 56556 | 56556 | 56556 |
| 3 | SPACER | 1 | 56537 | 56537 | 56537 |
| 4 | PLUNGER | 1 | 56534 | 56584 | 56604 |
| 5 | SPLIT BEARING 1-1/2" | 2 | 62290 | 62290 | 62290 |
| 6 | CYLINDER | 1 | 56536 | 56583 | 56605 |

For a list of abbreviations, see page 8.

PARTS LIST

FloStat® Hydraulic System Parts Diagram



FloStat® HYDRAULIC SYSTEM PARTS LIST

| Item | Part | Qty | Description | Item | Part | Qty | Description |
|------|-------|-----|---|------|-------|-----|-------------------------------|
| 1 | - | 1 | RAM ASSEMBLY 1-1/2 x 8 - See page 4 | 6 | 56589 | 1 | HOSE CLAMP, DOUBLE |
| 2 | - | 2 | RAM ASSEMBLY 1-1/2 x 10 (Std, PRO-PLOW®) RAM ASSEMBLY 1-1/2 x 12 (PRO PLUS®) - See page 4 | 7 | 56594 | 1 | CLAMP BASE |
| 3 | 56616 | 2 | HOSE KIT, 1/4X42 W/ F-JIC ENDS | 8 | 56593 | 2 | SLEEVE |
| 4 | 56617 | 1 | HOSE KIT, 1/4 X 16 W/FJIC ENDS | 9 | 91332 | 1 | 5/16-18 HEX LOCK NUT GB |
| 5 | 56615 | 6 | ELBOW KIT, 90 DEG-6 MO-RING/MJIC | 10 | 63925 | 1 | 3/8 FLAT WASHER |
| | | | | 11 | 90010 | 2 | 1/4-20X2-3/4 HEX CAP SCREW G5 |
| | | | | 12 | 91331 | 2 | 1/4-20 HEX LOCK NUT GB |
| | | | | 13 | 90039 | 1 | 3/8-16X1 HEX CAP SCREW G5 |

For a list of abbreviations, see page 8.

PARTS LIST

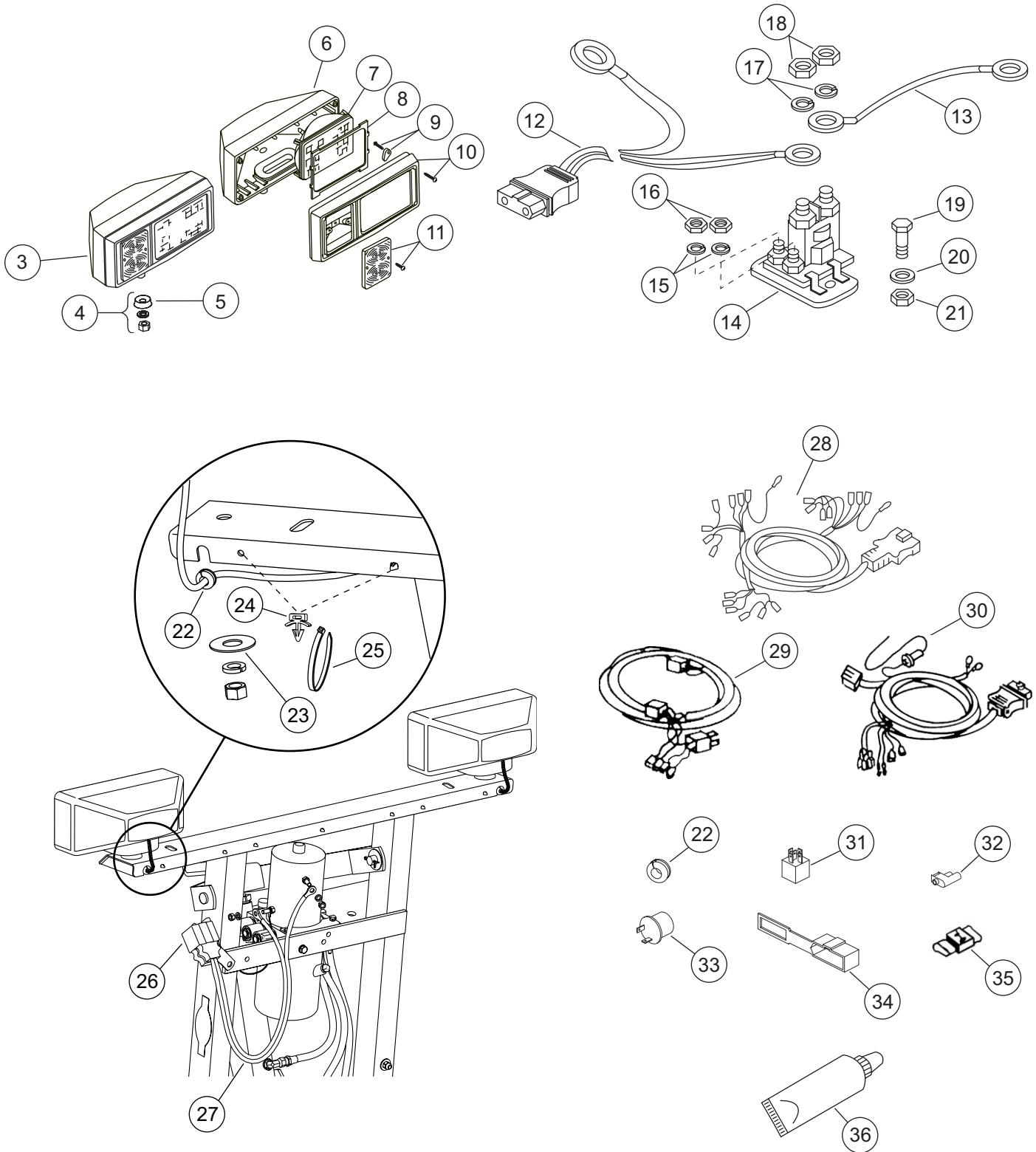
Bolt Bag and O-Ring Kit Components

| 63125 BOLT BAG ASSY LARGE | | | | | |
|--|-----|--------------------------------|-------|-----|---------------------------------|
| Part | Qty | Description | Part | Qty | Description |
| 56615 | 6 | ELBOW, 90 DEG-6 M O-RING/M JIC | 56595 | 7 | ANCHOR, CABLE TIE |
| 56099 | 1 | DIELECTRIC GREASE TUBE | 56589 | 1 | HOSE CLAMP, DOUBLE |
| 56596 | 1 | BOLT BAG, SMALL | 56594 | 1 | CLAMP BASE |
| 56580 | 2 | SCREW, STANDOFF ZYC | 56593 | 2 | SLEEVE |
| 90010 | 2 | 1/4-20X2-3/4 HEX CAP SCREW G5 | 56558 | 2 | 1/2 FLAT WASHER SPECIAL |
| 91331 | 2 | 1/4-20 HEX LOCK NUT GB | 66130 | 2 | RUBBER GROMMET |
| 90039 | 1 | 3/8-16X1 HEX CAP SCREW G5 | 90313 | 1 | 5/16 FLAT WASHER |
| 91332 | 1 | 5/16-18 HEX LOCK NUT GB | 21726 | 1 | 3/8NPTFX90 STREET ELBOW BRASS |
| 59223 | 8 | CABLE TIE | | | |
| 56596 BOLT BAG, SMALL | | | | | |
| Part | Qty | Description | Part | Qty | Description |
| 90461 | 2 | 1/4-20X3/4 HEX CAP SCREW G5 | 66130 | 2 | RUBBER GROMMET |
| 90311 | 2 | 1/4 FLAT WASHER | 59114 | 1 | SELF STRIP WIRE CONNECTOR |
| 91202 | 2 | 5/16 SPRING LOCK WASHER | 92842 | 2 | 5/16-24 HEX JAM NUT G5 |
| 91242 | 2 | 10 SPRING LOCK WASHER | 91402 | 2 | 10-32 HEX MACHINE SCREW NUT |
| 91331 | 2 | 1/4-20 HEX LOCK NUT GB | | | |
| 56657 O-RING & BACK-UP RING KIT – SOL | | | | | |
| Part | Qty | Description | Part | Qty | Description |
| 25622 | 2 | O-RING – 006 | 56416 | 1 | O-RING – 014 |
| 56315 | 2 | BACK UP RING – 006 | 25620 | 1 | O-RING – 115 |
| 55371 | 5 | O-RING – 008, 90 DUROMETER | 25618 | 1 | O-RING – 216 |
| 66628 | 4 | BACK UP RING – 008 | 66028 | 1 | O-RING – 226 |
| 25731 | 9 | O-RING – 010 | 66519 | 1 | O-RING 2 – 250 |
| 66627 | 4 | O-RING – 011 | 26784 | 4 | O-RING – 903 |
| 25730 | 2 | O-RING – 012 | 56569 | 4 | O-RING – 906 |
| 56274 | 1 | O-RING – 013 | 56776 | 4 | O-RING – 008, 70 DUROMETER, RED |

For a list of abbreviations, see page 8.

PARTS LIST

Snowplow Lights and Vehicle Components Parts Diagram



PARTS LIST

PLOW LIGHTS AND VEHICLE COMPONENTS PARTS LIST

| Item | Part | Qty | Description | Item | Part | Qty | Description |
|------|--------|-----|--|------|--------|-----|---|
| NS | 61543 | 1 | HEADLAMP PAIR (Without Plow Harness) | 22 | 66130 | 2 | RUBBER GROMMET |
| NS | 61541 | 1 | HEADLAMP DR | 23 | 56558 | 2 | 1/2 FLAT WASHER SPECIAL |
| 3 | 61542 | 1 | HEADLAMP CU | 24 | 56595 | 7 | ANCHOR, CABLE TIE |
| 4 | 49151 | 1 | SWIVEL AND HARDWARE ASSY | 25 | 59223 | 16 | CABLE TIE |
| 5 | 49012 | 1 | HEADLAMP SWIVEL | 26 | 61246 | 1 | CABLE BOOT |
| 6 | 49298 | 1 | HEADLAMP HOUSING ASSY (Fits DS or PS) | 27 | 21294 | 1 | PLOW BATTERY CABLE |
| 7 | 49297 | 1 | REPLACEMENT SEALED BEAM (2E1) | 28 | 62503 | 1 | PLOW HARNESS KIT 7-PIN |
| 8 | 49210 | 1 | HEADLAMP GASKETS (1 Pair) | | 61438 | 1 | PLOW HARNESS KIT 9-PIN |
| 9 | 49201 | 1 | RETAINING FINGER & FASTENER (4 Ea.) | | 61558 | 1 | PLOW HARNESS KIT 12-PIN U |
| 10 | 49203 | 1 | BEZEL W/FASTENERS (DS or PS) | 29 | * | 1 | PLUG-IN HARNESS |
| 11 | 49202 | 1 | PARK/TURN LENS W/FASTENERS | 30 | 62502 | 1 | VEHICLE HARNESS KIT 7-PIN |
| 12 | 61169 | 1 | VEHICLE BATTERY CABLE | | 61437 | 1 | VEHICLE HARNESS KIT 9-PIN |
| 13 | 22511 | 1 | BATTERY CABLE 22" RED | | 61557 | 1 | VEHICLE HARNESS KIT 12-PIN |
| 14 | 56131K | 1 | MOTOR RELAY KIT | 31 | 61535K | | RELAY SPDT |
| 15 | 91242 | 2 | 10 SPRING LOCK WASHER | 32 | 59224 | 3 | BULLET RECEPTACLE CONNECTOR |
| 16 | 91402 | 2 | 10-32 HEX MACHINE SCREW NUT | 33 | 60109 | 1 | FLASHER HD |
| 17 | 91202 | 2 | 5/16 SPRING LOCK WASHER | 34 | 61548 | 1 | PLUG COVER |
| 18 | 92842 | 2 | 5/16-24 HEX JAM NUT G5 | 35 | 59114 | 1 | SELF STRIP WIRE CONNECTOR |
| 19 | 90461 | 2 | 1/4-20X3/4 HEX CAP SCREW G5 | 36 | 49326 | 1 | DIELECTRIC GREASE TUBE (2 Oz.) |
| 20 | 90311 | 2 | 1/4 FLAT WASHER | | 56099 | 1 | DIELECTRIC GREASE TUBE (.25 Oz.) |
| 21 | 91331 | 2 | 1/4-20 HEX LOCK NUT GB | NS | | 2 | PARK/TURN SIGNAL BULB (Trade No. 1157) |
| | | | | NS | 49362 | 1 | PARK/TURN SOCKET KIT |

* See mount electrical installation instructions for harness part numbers for your vehicle.

ABBREVIATIONS

| | | | | | |
|------|---------------------------|------|------------------------------|-----|----------------------|
| ASSY | Assembly | HYD | Hydraulic | OD | Outside Diameter |
| BZP | Black Zinc Phosphate | ID | Inside Diameter | PS | Passenger Side |
| CU | Curb (Side) | II | Installation Instructions | PT | Prevailing Torque |
| DEG | Degree | JIC | Joint Industry Conference | SL | Slotted |
| DR | Driver (Side) | LK | Lock | SO | Socket Head |
| DS | Driver Side | M | Male | SOL | Solenoid |
| ELL | Elbow | MOD | Modular | SP | Spring |
| F | Female | MS | Machine Screw | SQ | Square |
| FL | Flat | NAR | Narrow | W/ | With |
| FS | FloStat® Hydraulic System | NS | Not Shown | W/O | Without |
| G | Grade | NPT | National Pipe Thread | ZYC | Zinc Yellow Chromate |
| HD | Heavy Duty | NPTF | National Pipe Thread (Fluid) | | |
| HX | Hex | NYIS | Nylon Insert | | |



WESTERN PRODUCTS
P.O. BOX 245038
MILWAUKEE, WI 53224-9538

 A DIVISION OF DOUGLAS DYNAMICS, L.L.C.

Copyright © 2004 Douglas Dynamics, L.L.C. All rights reserved. This material may not be reproduced or copied, in whole or in part, in any printed, mechanical, electronic, film or other distribution and storage media, without the written consent of Western Products. Authorization to photocopy items for internal or personal use by Western Products outlets or snowplow owner is granted.

Western Products reserves the right under its product improvement policy to change construction or design details and furnish equipment when so altered without reference to illustrations or specifications used. Western Products and the vehicle manufacturer may require and/or recommend optional equipment for snow removal. Do not exceed vehicle ratings with a snowplow. Western Products offers a limited warranty on all snowplows and accessories. See separately printed page for this important information. The following are registered (®) trademarks of Douglas Dynamics, L.L.C: FloStat®, PRO-PLOW®, PRO PLUS®, UltraMount® and WESTERN®.