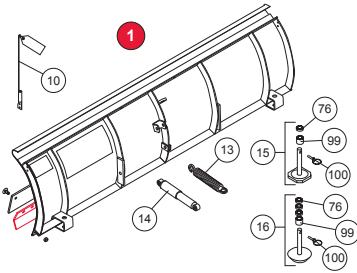
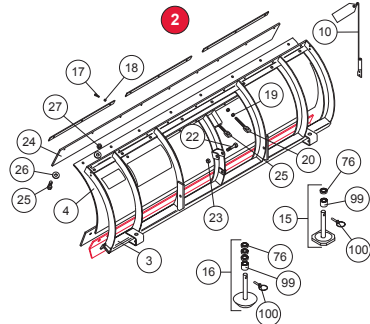


BLADES

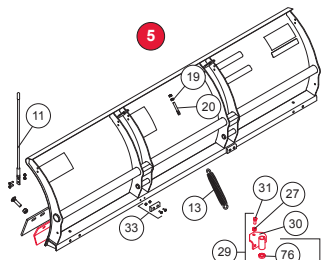
STEEL



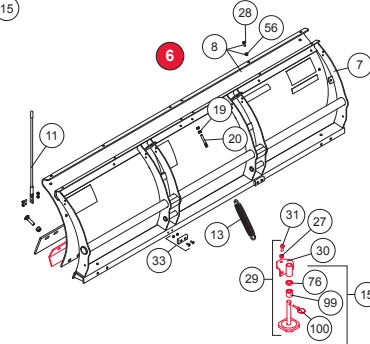
POLY



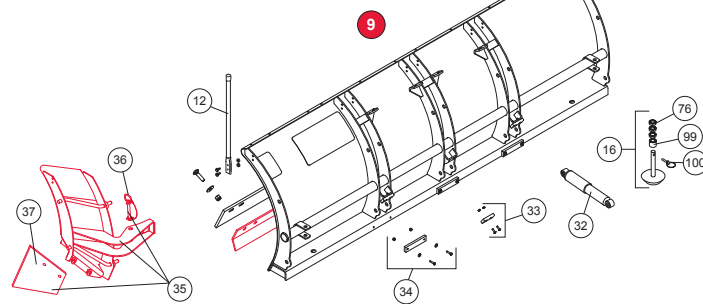
STEEL MIDWEIGHT™



POLY MIDWEIGHT



PRO PLUS®



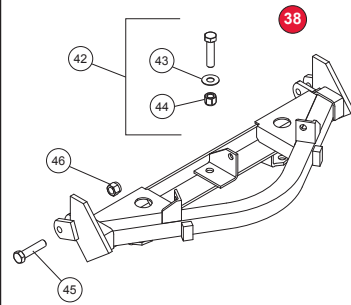
** Red outlined parts are optional accessories. **



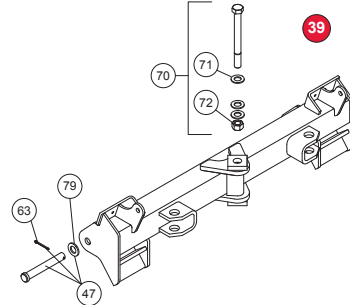
INTERACTIVE PARTS POSTER AVAILABLE AT WWW.WESTERNPLOWS.COM

QUADRANTS

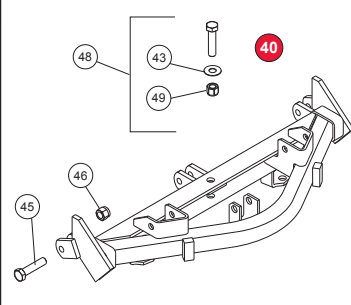
STANDARD



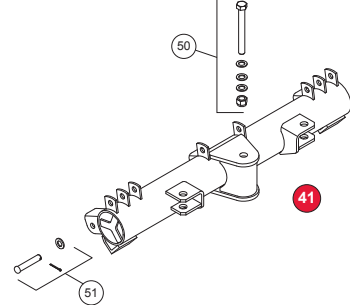
MIDWEIGHT



PRO-PLOW®

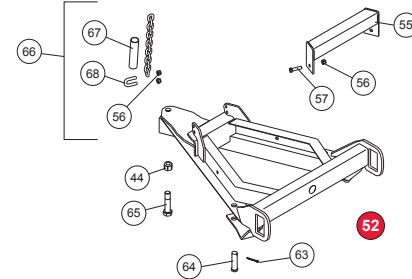


PRO PLUS

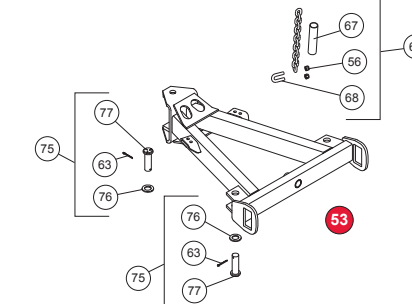


A-FRAMES

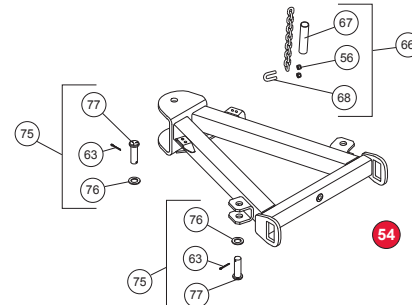
STANDARD & PRO-PLOW



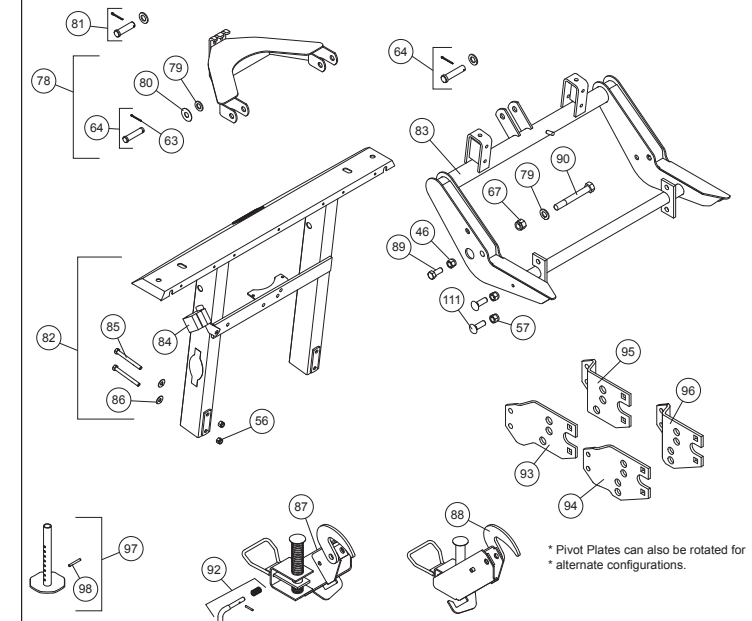
MIDWEIGHT



PRO PLUS



LIFT FRAME ASSEMBLIES



* Pivot Plates can also be rotated for alternate configurations.

PARTS LIST

Item	Part	Description	Item	Part	Description
---	---	7-1/2" Standard Blade Assy	46	91337	5/8"-11 Hex Locknut GB
60381	---	7-1/2" PRO-PLOW Blade Assy	47	28593	3/4" x 5-3/8" Clevis Pin Kit
1	60390	8" PRO-PLOW Blade Assy	48	67856	Nose Plate Bolt Kit
60308	---	8-1/2" PRO-PLOW Blade Assy	49	63574	3/4"-10 Hex Flange Locknut GF
---	---	9" PRO-PLOW Blade Assy	50	63978	Pivot Bolt Kit
---	---	7-1/2" Poly Standard Blade Assy w/Deflector	51	95335	3/4" x 4" Clevis Pin Kit
2	62400	7-1/2" POLY PRO-PLOW® Blade Assy w/Deflector	52	66888	A-Frame (S and SY)
62450	---	8" POLY PRO-PLOW Blade Assy w/Deflector	53	67854	A-Frame (P and PY)
62111	---	7-1/2" Poly Standard Blade Frame	54	66920	A-Frame (PP)
3	62350	7-1/2" POLY PRO-PLOW Blade Frame	55	67676	Stacking Stop
62415	---	8" POLY PRO-PLOW Blade Frame	56	91333	3/8"-16 Hex Locknut GB
49313	---	7-1/2" Poly Standard Moldboard	57	66456	3/8"-16 x 1-1/4" Hex Cap Screw G5
4	49322	7-1/2" POLY PRO-PLOW Moldboard	58	67842	Pivot Bar Kit
49327	---	8" POLY PRO-PLOW Moldboard	59	67974	Pivot Pin DS
5	64340	7-1/2" MIDWEIGHT Blade Assy	60	67977	Pivot Pin PS
6	64330	7-1/2" Poly MIDWEIGHT Blade Assy	7	64333	7-1/2" Poly MIDWEIGHT Blade Frame
7	64333	7-1/2" Poly MIDWEIGHT Blade Frame	8	28597	7-1/2" Poly MIDWEIGHT Moldboard
8	28597	7-1/2" Poly MIDWEIGHT Moldboard	62	67855	Pivot Bolt Kit
64750	---	7-1/2" PRO PLUS Blade Assy	63	91911K	5/32" x 1-1/2" Cotter Pin
66980	---	8" PRO PLUS Blade Assy	64	93063K	3/4" x 3-1/4" Clevis Pin Kit
66974	---	8-1/2" PRO PLUS Blade Assy	65	90161	3/4"-10 x 4" Hex Cap Screw G5
66901	---	9" PRO PLUS Blade Assy	66	49033	Replacement Chain Assy
10	59700	Blade Guide Assy	67	65508	Plastic Tube
11	62265	Blade Guide Kit	68	90571	3/8"-16 x 1-1/2" U-Bolt ZYC
12	62595	24" Commercial Blade Guides	69	91340	1"-8 Hex Locknut GB
13	23039	Trip Spring	70	28590	Pivot Bolt Kit
14	60338	Shock Absorber	71	64375	7/8" Flat Washer
15	49067	Disc Shoe Assy (S, SY and M)	72	64363	7/8"-9 Hex Locknut GB
16	49071	Disc Shoe Assy (P, PY and PP)	73	67748	1"-8 Hex Jam Nut G5
17	90048	5/16"-18 x 1-1/4" Hex Cap Screw G5	74	67552	1"-8 x 7" Hex Cap Screw G5
18	91332	5/16"-18 Hex Locknut GB	75	63973	Ram Pin Kit
19	91416	5/8"-11 Hex Nut G5	76	91192	Round Flat Washer - Special
20	90493K	5/8"-11 x 6" Eyebolt (Long)	77	93074	1" x 3-1/4" Clevis Pin G5 ZYC
21	66421	5/8"-11 x 4" Eyebolt Kit	78	67850-1	Lift Arm Assy
22	66450	3/4"-10 x 3" Hex Cap Screw G5	79	91147	3/4" Flat Washer
23	91339	3/4"-10 Hex Jam Locknut GB	80	67727	Round Flat Washer - Special
62311	---	Rubber Deflector (7-1/2" SY)	81	64617	3/4" x 3" Clevis Pin Kit
24	62396	Rubber Deflector (7-1/2" PY)	82	67853	Upper Lift Frame Assy
62402	---	Rubber Deflector (8" PY)	83	67903	Lower Lift Frame Assy (S, SY and M)
25	90210	1/2"-13 x 1-1/2" Hex Cap Screw G5	84	67556-1	Lower Lift Frame Assy (P, PY and PP)
26	91105	1/2" Flat Washer	85	61246	Cable Boot
27	91335	1/2"-13 Hex Locknut GB	86	67764	3/8"-16 x 3-3/4" Hex Cap Screw G5
28	98043	3/8"-16 x 1" Button Cap Screw	87	90315	3/8" Flat Washer
29	64392	Disc Shoe Kit	88	67845	Stand Assy DS
30	64388	Shoe Bracket	89	67846	Stand Assy PS
31	90575	1/2"-13 x 1-1/4" Hex Cap Screw G5	90	90127	5/8"-11 x 1-1/2" Hex Cap Screw G5
32	63979	Shock Absorber Kit	91	66451	3/4"-10 x 6" Hex Cap Screw G5
33	63976	Push Stop Kit	92	5572	5/8"-11 x 2" Carriage Bolt G5
34	63977	Trip Stop Kit	93	67844	Stand Lock Pin Kit
64410	---	PRO PLUS Blade Wing Kit (Pair)	94	64378	Pivot Plate A (M)
35	67922	PRO PLUS DS Blade Wing Kit	95	67707	Pivot Plate A (All other blades)
67923	---	PRO PLUS PS Blade Wing Kit	96	64379	Pivot Plate B (M)
36	67921	5/8" x 4-3/4" Hitch Pin	97	67708	Pivot Plate B (All other blades)
37	67919	PRO PLUS Blade Wing Cutting Edge	98	67847	Stand Shoe Kit
38	66887	Quadrant (S and SY)	99	67635	1/4" x 2" Roll Pin BP
39	28591	Quadrant (M)	100	60045	Spacer
40	67848	Quadrant (P and PY)	101	93010K	7/16" x 1-3/4" Linch Pin (2 Pack)
41	66930	Quadrant (PP)	102	67858	Receiver Kit DS
42	66889	Nose Plate Bolt Kit	103	67859	Receiver Kit PS
43	63575	3/4" Hardened Flat Washer	104	67665	Receiver Pin
44	91338	3/4"-10 Hex Locknut GB	105	91965K	5/32" Hairpin Cotter
45	90132	5/8"-11 x 3" Hex Cap Screw G5			

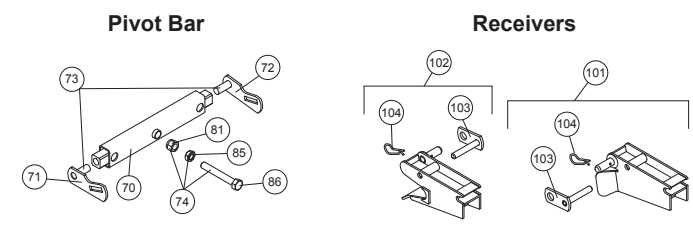
ACCESSORY BACK DRAG EDGES

Size	Model	Blade	Back Drag Edge	Bolt Kit (if required)
7-1/2"	All Blades		64758	64183
8"	PRO-PLOW (Steel & Poly) & PRO PLUS		66892	64183
8-1/2"	PRO-PLOW (Steel Only) & PRO PLUS		66999	64183
9"	PRO-PLOW (Steel Only) & PRO PLUS		66991	64183

CUTTING EDGES

Size	Model	Blade	Material Thickness	
			3/8"	1/2"
7-1/2"	Standard		49088	---
7-1/2"	Poly Standard		49312	---
7-1/2"	POLY PRO-PLOW		49312	49350
8"	POLY PRO-PLOW		49328	49351
7-1/2"	PRO-PLOW		49088	49346
8"	PRO-PLOW		49089	49347
8-1/2"	PRO-PLOW		49086	49348
9"	PRO-PLOW		49251	49349
7-1/2"	MIDWEIGHT (Steel or Poly)		28594	---
7-1/2"	PRO PLUS		---	64775
8"	PRO PLUS		---	63980
8-1/2"	PRO PLUS		---	63985
9"	PRO PLUS		---	63990

COMMON SYSTEM COMPONENTS



Western Products
PO Box 245038 • Milwaukee, WI 53224-9538
Use only genuine WESTERN® replacement parts.

Copyright © 2009 Douglas Dynamics, L.L.C. All rights reserved. This material may not be reproduced or copied, in whole or in part, in any printed, mechanical, electronic, film or other distribution and storage media, without the written consent of Western Products. Authorization to photocopy items for internal or personal use by Western Products outlets or snowplow owner is granted.

Western Products reserves the right under its product improvement policy to change construction or design details and furnish equipment when so altered without reference to illustrations or specifications used. Western Products or the vehicle manufacturer may require or recommend optional equipment for snow removal. Do not exceed vehicle ratings with a snowplow. Western Products offers a limited warranty for all snowplows and accessories. See separately printed page for this important information. The following are registered (®) or unregistered (™) trademarks of Douglas Dynamics, L.L.C.: MIDWEIGHT™, POLY PRO-PLOW®, PRO-PLOW®, PRO PLUS®, UltraMount®, WESTERN®.

Printed in U.S.A.