



WESTERN PRODUCTS  
P.O. BOX 245038  
MILWAUKEE, WI 53224-9538

 A DIVISION OF DOUGLAS DYNAMICS, L.L.C.

## **SPORT UTILITY BLADE PARTS LIST**

October 15, 2003

# **Sport Utility Blade**

**Blade No. 61300**

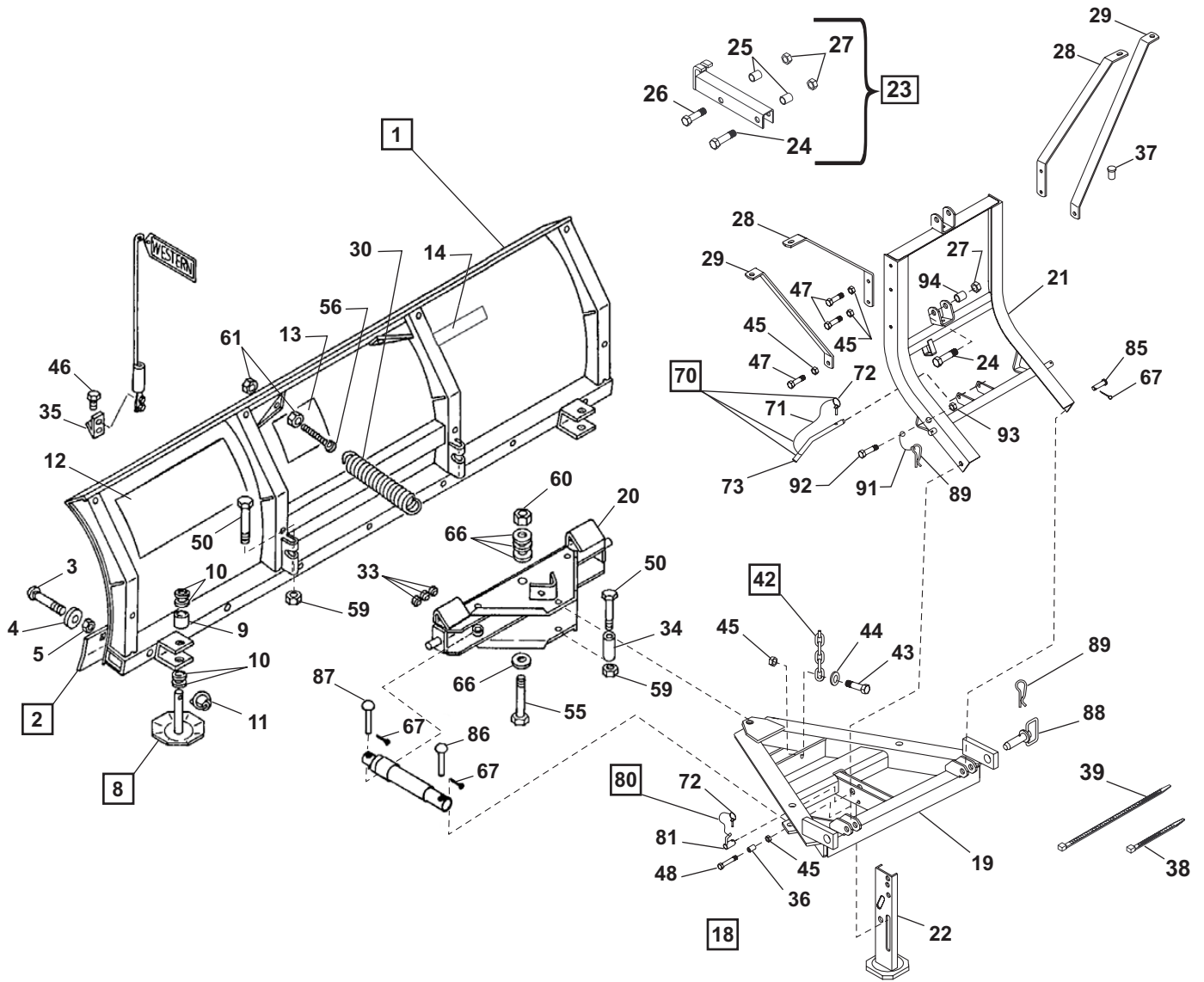
**A, Q, & L Box No. 61930**

**Hydraulics Box No. 56355**

**Headlamp Kit No. 61540 or 61550**

# Sport/Utility Blade Assembly - Blade No. 61300

## PARTS DIAGRAM



# Sport/Utility Blade Assembly - Blade No. 61300

## PARTS LIST

ITEM	PART NO.	QTY.	DESCRIPTION	ITEM	PART NO.	QTY.	DESCRIPTION
1	61300	1	6-1/2 FT. BLADE ASSY SU	87	.93061K	2	RIVET 3/4" X 4-1/8" G5 ZP
2	.49264	1	CUTTING EDGE ASSY - 6-1/2" SU	88	.93028K	2	HITCH PIN 1" X 3-1/2"
3	.90229	7	7/16-14X3-1/2 CB G5 ZP	89	.91965K	4	HAIRPIN COTTER 5/32"
4	.91104	7	7/16 PLAIN WASHER TY A STD ZP	91	.63563	2	LANYARD .05 X 6
5	.91334	7	7/16-14 PT HX LK NUT NYIS ZP	92	.63571	2	1/4-20 X 3/4" WLF SCREW ZYC
8	.49266	2	DISC SHOE ASSY SU	93	.63572	2	1/4" WLF NUT ZYC
9	.60045	1	SPACER	94	.63212	1	SPACER .758 ID X 1.0 OD X .69 LG
10	.91109	13	WASHER - SPECIAL ZYC				
11	.93010K	1	LINCH PIN 7/16" X 1-3/4"				
12	.61740	1	LABEL - INFORMATION (Link Arm Style)	.61929	1	PARTS BAG ASSY (61930)	
13	.59900	1	LABEL - INFORMATION (WARNING)	.61579	1	BOLT BAG (A,Q & L COMMON)	
14	.28404	1	LABEL - IDENTITY, ULTRAFINISH™				
18	61930	1	A,Q & L ASSY U SU				
19	.61896	1	A-FRAME U SU (Link Arm Style)				
20	.61270	1	QUADRANT SU				
21	.61903	1	LIFT FRAME U S (Link Arm Style)				
22	.61353	1	STAND				
23	.49277	1	LIFT CHANNEL KIT U				
24	.63208	1	3/4-10X3-3/4 HX CS G5 ZYC SPL				
25	.63211	2	SPACER .758 ID X 1.0 OD X .5 LG				
26	.63207	1	3/4X3-1/4 HX CS G5 ZYC SPL				
27	.91339	2	3/4-10 PT HX JAM LK NUT NYIS ZYC				
28	.63583	2	LIGHT BRACKET TOP SHORT				
29	.63584	2	LIGHT BRACKET BOTTOM SHORT				
30	.23039	2	TRIP SPRING				
33	.61095	6	BUMPER - NO. FLX-750 1.0 DIA				
34	.63215	1	BUSHING - STOP				
35	.61287	2	BLADE GUIDE BRACKET				
36	.61487	1	SPACER. 56 OD X. 39 ID X .965 LG				
37	.61482	2	VINYL CAP 1/2 X 1/2				
38	.59223	4	CABLE TIE				
39	.61536	3	CABLE TIE - LONG				
42	.49033	1	REPLACEMENT CHAIN ASSY				
43	.90061	1	3/8-16X1-1/2 HX CS G5 ZP				
44	.91137	1	3/8 PLAIN WASHER TY A SAE ZP				
45	.91333	1	3/8-16 PT HX LK NUT NYIS ZYC				
46	.91040	2	5/16-18X1 HX FLG SCREW G5 ZYC				
47	.90040	6	3/8-16X1-1/4 HX CS G5 ZYC				
48	.90043	1	3/8-16X2 HX CS G5 ZYC				
50	.90110	3	1/2-13X5 HX CS G5 ZP				
24	.63208	1	3/4-10X3-3/4 HX CS G5 ZYC				
55	.90189	1	3/4-10X6 HX CS G5 ZP				
61	.91416	2	5/8-11 HX NUT ZYC				
56	.90490K	2	5/8-11X4 EYEBOLT G2 ZYC				
45	.91333	7	3/8-16 PT HX LK NUT NYIS ZYC				
59	.91335	3	1/2-13 PT HX LK NUT NYIS ZYC				
60	.91338	1	3/4-10 PT HX LK NUT NYIS ZYC				
27	.91339	1	3/4-10 PT HX JAM LK NUT NYIS ZYC				
66	.91147	4	3/4 PLAIN WASHER TY A SAE ZYC				
67	.91911	6	5/32X1-1/2 COTTER PIN ZYC				
70	.63565	1	STAND PIN ASSY				
71	.63564	1	LANYARD .05 X 11 (with crimps)				
72	.93042K	1	LINCH PIN ASSY 3/16"				
73	.93033K	1	PIN 1/2" X 5.5"				
80	.63566	1	LOCK PIN ASSY				
81	.93034K	1	STAND LOCK PIN 5/8" X 2"				
72	.93042K	1	LINCH PIN ASSY 3/16"				
85	.93040	2	PIN, CLEVIS 5/8 X 2.25 STEEL ZYC				
86	.93063K	2	RIVET 3/4" X 3-1/2"				

Parts listed above may be found in one of the following:

.61929	1	PARTS BAG ASSY (61930)
.61579	1	BOLT BAG (A,Q & L COMMON)

Service Parts Kit

61941K	1	UNIMOUNT® RETAINER PIN KIT (Includes items 72 & 89, quantities as shown.)
--------	---	--

### Abbreviations

A,Q&L	A-Frame, Quadrant & Lift
ASSY	Assembly
CB	Carriage Bolt
CS	Cap Screw
DIA	Diameter
FLG	Flange
G	Grade
HX	Hex
ID	Inside Diameter
LG	Long
LK	Lock
NYIS	Nylon Insert
OD	Outside Diameter
PT	Prevailing Torque
S	Standard Plow
SAE	Society of Automotive Engineers
STD	Standard
SU	Sport/Utility
TY	Type
U	UniMount® System
WLF	Whiz-Lock Flange
ZP	Zinc Plate
ZYC	Zinc Yellow Chromate



WESTERN PRODUCTS  
P.O. BOX 245038  
MILWAUKEE, WI 53224-9538

 A DIVISION OF DOUGLAS DYNAMICS, L.L.C.

Copyright© 2003 Douglas Dynamics, L.L.C. All rights reserved. This material may not be reproduced or copied, in whole or in part, in any printed, mechanical, electronic, film or other distribution and storage media, without the written consent of Western Products. Authorization to photocopy items for internal or personal use by Western Products outlets or snowplow owner is granted.

Western Products reserves the right under its product improvement policy to change construction or design details and furnish equipment when so altered without reference to illustrations or specifications used. Western Products and the vehicle manufacturer may require and/or recommend optional equipment for snow removal. Do not exceed vehicle ratings with a snowplow. Western Products offers a limited warranty for all snowplows and accessories. See separately printed page for this important information. The following are registered (®) or unregistered (™) trademarks of Douglas Dynamics, L.L.C: ULTRAFINISH™, UniMount® and WESTERN®.