



WESTERN PRODUCTS  
P.O. BOX 245038  
MILWAUKEE, WI 53224-9538



 A DIVISION OF DOUGLAS DYNAMICS, L.L.C.

## STANDARD STEEL BLADE PARTS LIST

June 15, 2002

# Standard Steel Blade Assembly

Blade No. 60120, 60125, or 60018

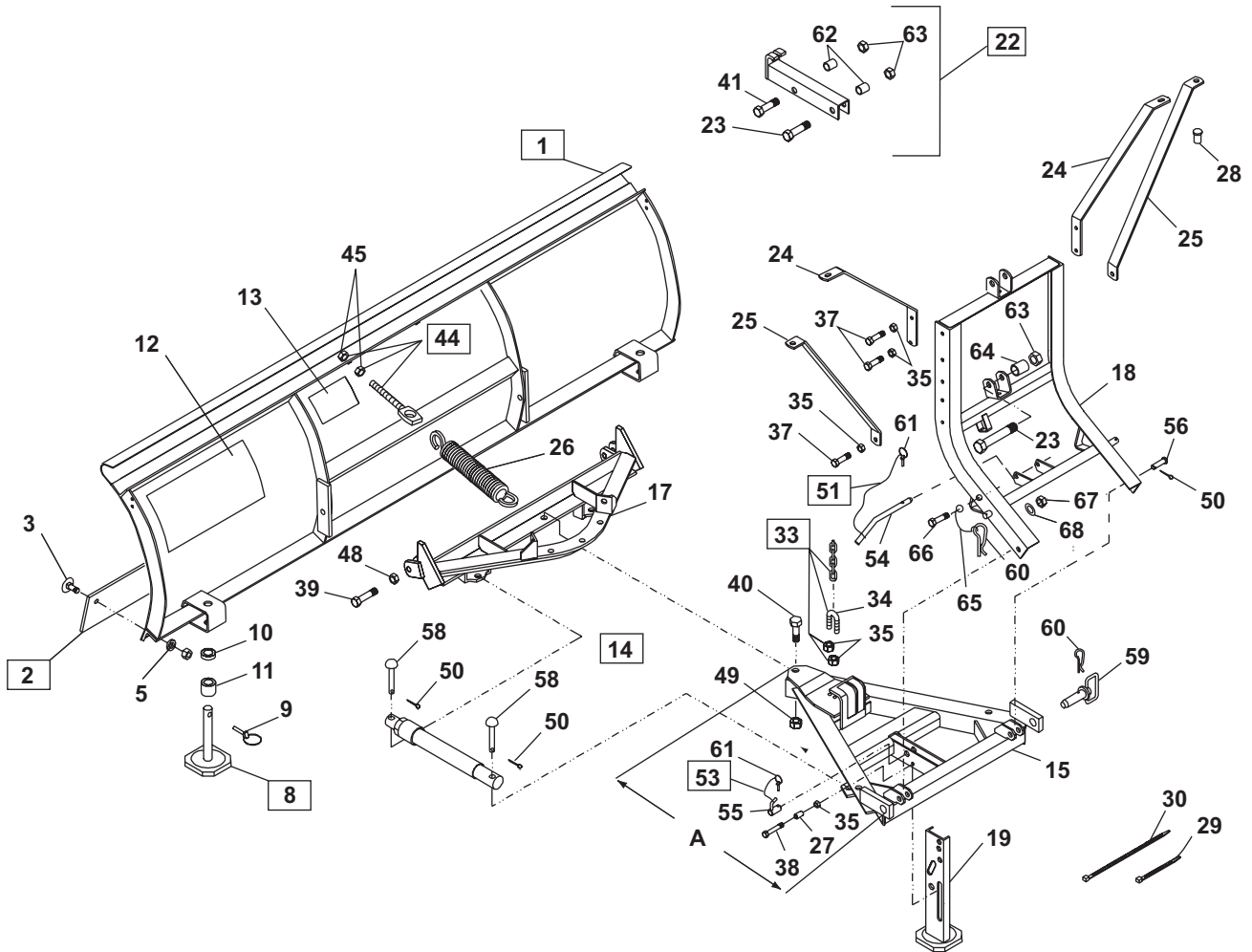
**A, Q, & L Box No. 61720**

**Hydraulics Box No. 56365**

**Headlamp Kit No. 61540 or 61550**

# Standard Steel Blade Assembly - Blade No. 60120, 60125, or 60018

## PARTS DIAGRAM



# Standard Steel Blade Assembly - Blade No. 60120, 60125, or 60018

## PARTS LIST

ITEM	PART NO.	QTY.	DESCRIPTION	ITEM	PART NO.	QTY.	DESCRIPTION
1	60120	1	6-1/2 FT. BLADE ASSY STD	35	. 91333	7	3/8-16 PT HX LK NUT NYIS ZYC
	60125	1	7 FT. BLADE ASSY STD	48	. 91337	2	5/8-11 PT HX LK NUT NYIS ZYC
	60018	1	7-1/2 FT. BLADE ASSY STD	49	. 91338	4	3/4-10 PT HX LK NUT NYIS ZYC
2	. 49066	1	CUTTING EDGE ASSY 6-1/2' S	50	. 91911	6	5/32X1-1/2 COTTER PIN ZYC
	. 49070	1	CUTTING EDGE ASSY 7' S	51	. 63585	1	STAND PIN ASSY
	. 49076	1	CUTTING EDGE ASSY 7-1/2' S	54	. . 93033K	1	PIN 1/2" X 5.5"
3	. . 90238	8	1/2-13X1-3/4 CB G8 BPO 6-1/2' 7' 7-1/2'	61	. . 93042K	1	LINCH PIN 3/16"
5	. . 91335	8	1/2-13 HX NUT NYIS ZYC 6-1/2' 7' 7-1/2'	53	. 63586	1	LOCK PIN ASSY
8	. 49067	2	DISC SHOE ASSY C & S	61	. . 93042K	1	LINCH PIN 3/16"
	. 49071	2	HD DISC SHOE ASSY P TP S	55	. . 93034K	1	STAND LOCK PIN 5/8" X 2"
	(Optional Service Part May Replace 49067)			56	. 93040	2	PIN, CLEVIS 5/8"X2.25"STEEL ZYC
	Includes Items No. 8, 9, 10 & 11.			58	. 93063K	4	RIVET 3/4" X 3-1/2"
9	. . 93010K	1	LINCH PIN 7/16" X 1-3/4"	59	. 93028K	2	HITCH PIN 1" X 3-1/2"
10	. . 91109	19	WASHER - SPECIAL	60	. 91965K	4	HAIRPIN COTTER 5/32"
11	. . 60045	1	SPACER	61	. 93042K	2	LINCH PIN 3/16" X 1-3/16"
12	. 61740	1	LABEL - INFORMATION (Link Arm Style)	64	. 63212	1	SPACER .758 X 10 OD X .69 LG
13	. 59900	1	LABEL - INFORMATION (Warning)	65	. 63563	2	LANYARD .05 X 6
14	61720	1	A,Q & L ASSY U S	66	. 63571	2	1/4-20 X 3/4 WLF SCREW ZYC
15	. 61891	1	A-FRAME U S (Dim. "A" = 28-5/8")*	67	. 91331	2	1/4-20 PT HX LK NUT NYIS ZYC
	. 61345	1	A-FRAME U P (Dim. "A" = 31-5/8")*	68	. 90331	2	1/4 FLAT WASHER
17	. 60036	1	QUADRANT S	<b>Parts listed above may be found in one of the following:</b>			
18	. 61903	1	LIFT FRAME U S (Side Angle Mat'l. = 1/4")*	. 61579	1	BOLT BAG (A,Q & L COMMON)	
	. 61362	1	LIFT FRAME U P (Side Angle Mat'l. = 3/8")*	. 61719	1	PARTS BAG ASSY (61720)	
19	. 61353	1	STAND	<b>Service Parts Kit</b>			
22	. 49277	1	LIFT CHANNEL KIT U	61941K	1	UNIMOUNT® RETAINER PIN KIT	
23	. . 63208	2	3/4-10X3-3/4 HX CS G5 ZYC SPL	(Includes items 60 & 61, quantities as shown)			
41	. . 63207	1	3/4-10X3-1/4 HX CS G5 ZYC SPL				
62	. . 63211	2	SPACER .758 ID X 1.0 OD X .5 LG				
63	. . 91339	2	3/4-10 PT HX JAM LK NUT NYIS ZYC				
24	. 63532	2	LIGHT BRACKET TOP SHORT				
25	. 63533	2	LIGHT BRACKET BOTTOM SHORT				
26	. 23039	2	TRIP SPRING				
27	. 61487	1	SPACER.56 ODX.083WX.96/.97L ZYC				
28	. 61482	2	VINYL CAP				
29	. 59223	4	CABLE TIE				
30	. 61536	3	CABLE TIE - LONG				
33	. 49033	1	REPLACEMENT CHAIN ASSY				
34	. . 90496	1	3/8-16 X 1-1/2 U-BOLT				
35	. . 91333	2	3/8-16 PT HX LK NUT NYIS ZYC				
37	. 90040	6	3/8-16X1-1/4 HX CS G5 ZYC				
38	. 90043	1	3/8-16X2 HX CS G5 ZYC				
39	. 90132	2	5/8-11X3 HX CS G5 ZYC				
40	. 90155	1	3/4-10X2-1/2 HX CS G5 ZYC				
23	. 90159	1	3/4-10X3-1/2 HX CS G5 ZYC				
44	. 90493K	2	EYEBOLT W/2-#91416 NUTS				
45	. . 91416	2	5/8-11 HX NUT ZYC				

Abbreviations			
A,Q,&L	A-Frame, Quadrant & Lift Frame	NYIS	Nylon Insert
ASSY	Assembly	OD	Outside Diameter
BPO	Black Phosphate & Oil	P	PRO-PLOW
CB	Carriage Bolt	PT	Prevailing Torque
C	Compact Plow	PY	PRO-PLOW Poly
CS	Cap Screw	S	Standard Plow
FLG	Flange	SP	Spring
FT	Foot	SPL	Special
G	Grade	STD	Standard
HD	Heavy Duty	TP	TRI-PLOW
HX	Hex	U	UniMount® System
ID	Inside Diameter	W/	With
LG	Long	WLF	Whiz-Lock Flange
LK	Lock	ZYC	Zinc Yellow Chromate

\*A-frames MUST be paired with correct Lift Frame: 61891 with 61903; and 61345 with 61362.

Indented part numbers are included in the assembly under which they are listed.  
Quantities shown are included with the assembly.



WESTERN PRODUCTS  
P.O. BOX 245038  
MILWAUKEE, WI 53224-9538

 A DIVISION OF DOUGLAS DYNAMICS, L.L.C.

Copyright © 2002 Douglas Dynamics, L.L.C. All rights reserved. This material may not be reproduced or copied, in whole or in part, in any printed, mechanical, electronic, film or other distribution and storage media, without the written consent of Western Products. Authorization to photocopy items for internal or personal use by Western Products outlets is granted.

Western Products reserves the right under its Product Improvement Policy to change construction or design details and furnish equipment when so altered without reference to illustrations or specifications used herein. Western Products and the vehicle manufacturer may require and/or recommend optional equipment for snow removal. Western Products offers a limited warranty on all snowplows and accessories. See separately printed page for this important information. The following are registered® trademarks of Douglas Dynamics, L.L.C: UniMount® and WESTERN®.