



WIDE-OUT™ SNOWPLOW

Installation Instructions

⚠ CAUTION

Read this document before installing the snowplow.

⚠ CAUTION

See your WESTERN® outlet/Web site for specific vehicle application recommendations before installation. The Selection List has specific vehicle and snowplow requirements.

SAFETY

SAFETY DEFINITIONS

⚠ WARNING

Indicates a potentially hazardous situation that, if not avoided, could result in death or serious personal injury.

⚠ CAUTION

Indicates a potentially hazardous situation that, if not avoided, may result in minor or moderate injury. It may also be used to alert against unsafe practices.

NOTE: Indicates a situation or action that can lead to damage to your snowplow and vehicle or other property. Other useful information can also be described.

WARNING/CAUTION AND INSTRUCTION LABELS

Become familiar with and inform users about the warning labels on the back of the blade and the instruction label on the headgear.

NOTE: If labels are missing or cannot be read, see your sales outlet.

Warning and Caution Label



WARNING

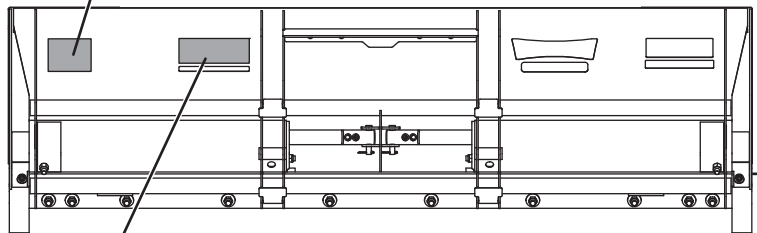
LOWER BLADE WHEN VEHICLE IS PARKED.
DO NOT EXCEED GVWR OR GAWR INCLUDING BLADE AND BALLAST.
REMOVE BLADE ASSEMBLY BEFORE PLACING VEHICLE ON HOIST.



CAUTION

READ OWNER'S MANUAL BEFORE OPERATING OR SERVICING SNOWPLOW.
TRANSPORT SPEED SHOULD NOT EXCEED 45 MPH. FURTHER REDUCE SPEED UNDER ADVERSE TRAVEL CONDITIONS.
PLOWING SPEED SHOULD NOT EXCEED 10 MPH.
SEE YOUR SALES OUTLET/WEB SITE FOR SPECIFIC VEHICLE APPLICATION RECOMMENDATIONS.

59900



Instruction Label

UltraMount[®] INSTRUCTIONS

MOUNTING PLOW (ON)

Read Owner's Manual for complete instructions.

STEP 1

After seating plow horns in receiver brackets, pull Handle up; Shoe will lift off the ground.

STEP 2

Pull and hold Lock Pin out; then rotate Handle UP and release Lock Pin. It must lock into UPPER hole. Stand Hook must grip Receiver Pin.

STEP 3

Plug in electrical connections. Repeat steps 1 and 2 on other side of plow.

STEP 3

Push down top of Shoe; Shoe will be on the ground. Repeat steps 2 and 3 on other side of plow. Back vehicle away.

STEP 2

Pull and hold Lock Pin out; then rotate Handle DOWN and release Lock Pin. It must lock into LOWER hole.

STEP 1

After lowering blade and turning control off, disconnect electrical connections.

REMOVING PLOW (OFF)

Read Owner's Manual for complete instructions.

67796

Multiple Pinch Points Label



WIDE-OUT™ Blades Only
(both sides)

SAFETY

SAFETY PRECAUTIONS

Improper installation and operation could cause personal injury and/or equipment and property damage. Read and understand labels and the Owner's Manual before installing, operating or making adjustments.

⚠ WARNING

Lower blade when vehicle is parked. Temperature changes could change hydraulic pressure, causing the blade to drop unexpectedly or damaging hydraulic components. Failure to do this could result in serious personal injury.

⚠ WARNING

The driver shall keep bystanders clear of the blade when it is being raised, lowered or angled. Do not stand between the vehicle and the blade or within 8 feet of a moving blade. A moving or falling blade could cause personal injury.

⚠ WARNING

Keep hands and feet clear of the blade and A-frame when mounting or removing the snowplow. Moving or falling assemblies could cause personal injury.

⚠ WARNING

Do not exceed GVWR or GAWR including blade and ballast. The rating label is found on driver-side vehicle door cornerpost.

⚠ WARNING

To prevent accidental movement of the blade, always turn the control OFF whenever the snowplow is not in use. The power indicator light will turn OFF.

⚠ WARNING

Remove blade assembly before placing vehicle on hoist.

⚠ CAUTION

Assembling a hose to the incorrect wing ram port can result in permanent damage to the ram.

⚠ CAUTION

Refer to the current Selection List for minimum vehicle recommendations and ballast requirements.

HYDRAULIC SAFETY

⚠ WARNING

Hydraulic fluid under pressure can cause skin injection injury. If you are injured by hydraulic fluid, get medical attention immediately.

- Always inspect hydraulic components and hoses before using. Replace any damaged or worn parts immediately.
- If you suspect a hose leak, DO NOT use your hand to locate it. Use a piece of cardboard or wood.

FUSES

The WESTERN® electrical and hydraulic systems contain several blade-style automotive fuses. If a problem should occur and fuse replacement is necessary, the replacement fuse must be of the same type and amperage rating as the original. Installing a fuse with a higher rating can damage the system and could start a fire. Fuse Replacement, including fuse ratings and locations, is located in the Maintenance Section of the Owner's Manual.

PERSONAL SAFETY

- Remove ignition key and put the vehicle in park or in gear to prevent others from starting the vehicle during installation or service.
- Wear only snug-fitting clothing while working on your vehicle or snowplow.
- Do not wear jewelry or a necktie, and secure long hair.
- Wear safety goggles to protect your eyes from battery acid, gasoline, dirt and dust.
- Avoid touching hot surfaces such as the engine, radiator, hoses and exhaust pipes.
- Always have a fire extinguisher rated BC handy, for flammable liquids and electrical fires.

SAFETY

FIRE AND EXPLOSION

⚠ WARNING

Gasoline is highly flammable and gasoline vapor is explosive. Never smoke while working on vehicle. Keep all open flames away from gasoline tank and lines. Wipe up any spilled gasoline immediately.

Be careful when using gasoline. Do not use gasoline to clean parts. Store only in approved containers away from sources of heat or flame.

CELL PHONES

A driver's first responsibility is the safe operation of the vehicle. The most important thing you can do to prevent a crash is to avoid distractions and pay attention to the road. Wait until it is safe to operate Mobile Communication Equipment such as cell phones or two-way radios.

VENTILATION

⚠ WARNING

Vehicle exhaust contains lethal fumes. Breathing these fumes, even in low concentrations, can cause death. Never operate a vehicle in an enclosed area without venting exhaust to the outside.

BATTERY SAFETY

⚠ CAUTION

Batteries normally produce explosive gases which can cause personal injury. Therefore, do not allow flames, sparks or lit tobacco to come near the battery. When charging or working near a battery, always cover your face and protect your eyes, and also provide ventilation.




Batteries contain sulfuric acid which burns skin, eyes and clothing.

Disconnect the battery before removing or replacing any electrical components.

TORQUE CHART

⚠ CAUTION

Read instructions before assembling. Fasteners should be finger tight until instructed to tighten according to torque chart. Use standard methods and practices when attaching snowplow including proper personal protective safety equipment.

Recommended Fastener Torque Chart (ft-lb)			
Size	 SAE Grade 2	 SAE Grade 5	 SAE Grade 8
1/4-20	6	9	13
5/16-18	11	18	28
3/8-16	19	31	46
3/8-24	24	46	68
7/16-14	30	50	75
1/2-13	45	75	115
9/16-12	66	110	165
5/8-11	93	150	225
3/4-10	150	250	370
7/8-9	150	378	591
1-8	220	583	893
Metric Grade 8.8 (ft-lb)			
Size	Torque	Size	Torque
M 6	7	M 12	60
M 8	17	M 14	95
M 10	35	M 16	155
These torque values apply to fasteners except those noted in the instruction.			

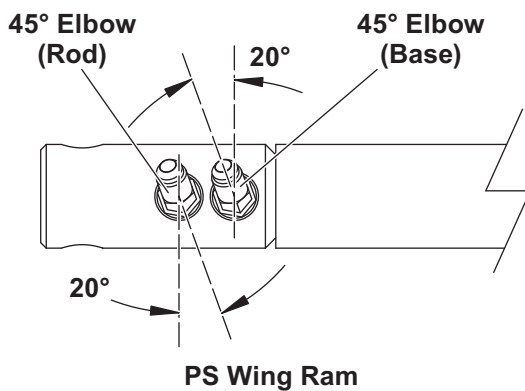
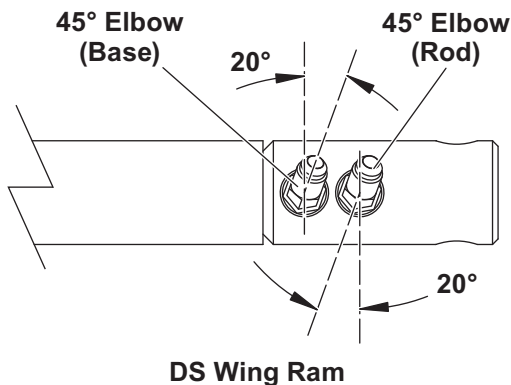
INSTALLATION INSTRUCTIONS

BLADE TO A-FRAME

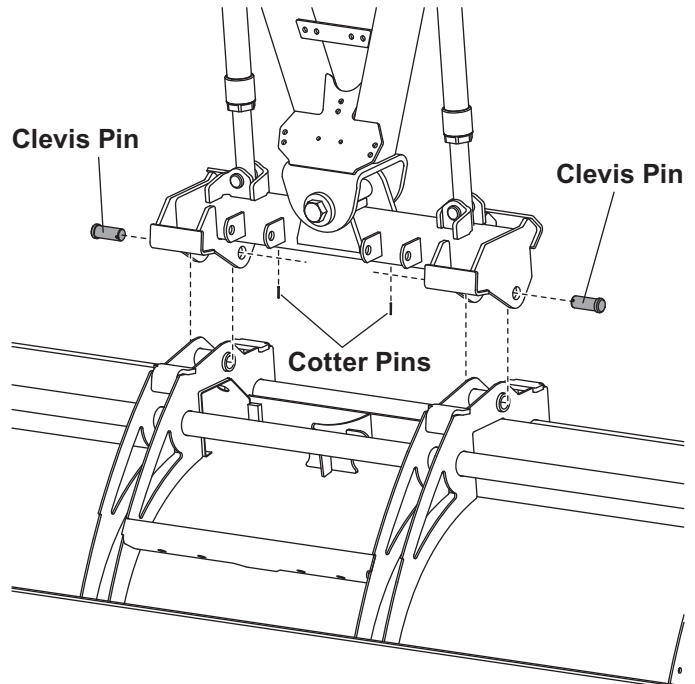
1. Remove the headlamp box and small parts box from carton. Remove carton wall sleeve by sliding it up and over box contents. Remove and discard the four corner tubes and place sleeve flat on the floor. Remove the lift frame and power unit assembly from the box and place it on the carton sleeve. Remove the A-frame and quadrant assembly and place it on the carton sleeve.

Install the wing cylinder hydraulic fittings, as shown below.

For blades built after March 2, 2010, these fittings are pre-installed and the cylinders are pre-filled with hydraulic fluid. The build date can be found in the first six digits of the serial number, located in the upper right corner on the back of the blade (YYMMDD: YY = 2-digit year, MM = 2-digit month, DD = 2-digit day).

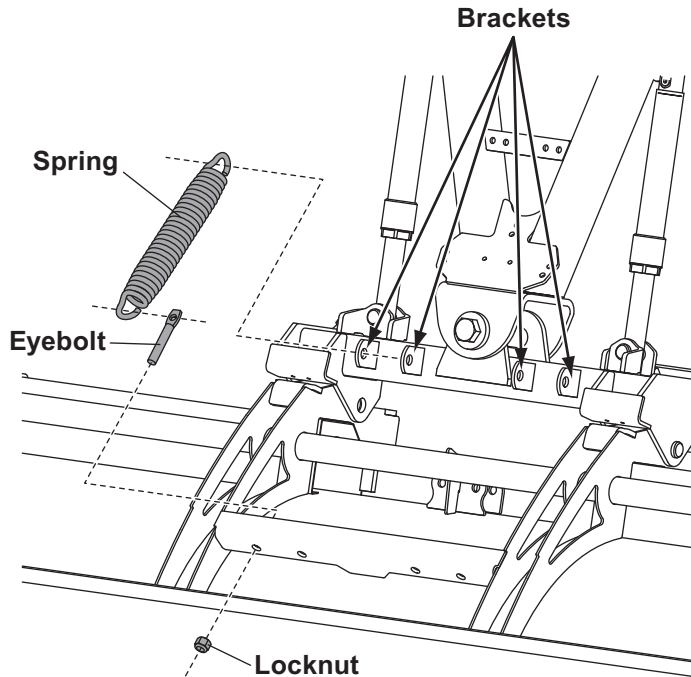


2. Place some cardboard or wood on the floor where blade will be assembled. Remove the blade from the pallet and place it face down. Position the A-frame and quadrant assembly on the blade, aligning the quadrant pivot holes with the blade pivot holes. Insert two 1" x 5-1/2" clevis pins from the outside. Secure the quadrant to the blade by installing 1/4" x 1-1/2" cotter pins in the two clevis pins.



INSTALLATION INSTRUCTIONS

- Hook a spring to each of the quadrant brackets indicated in the diagram. Hook an eyebolt to the other end of each trip spring.



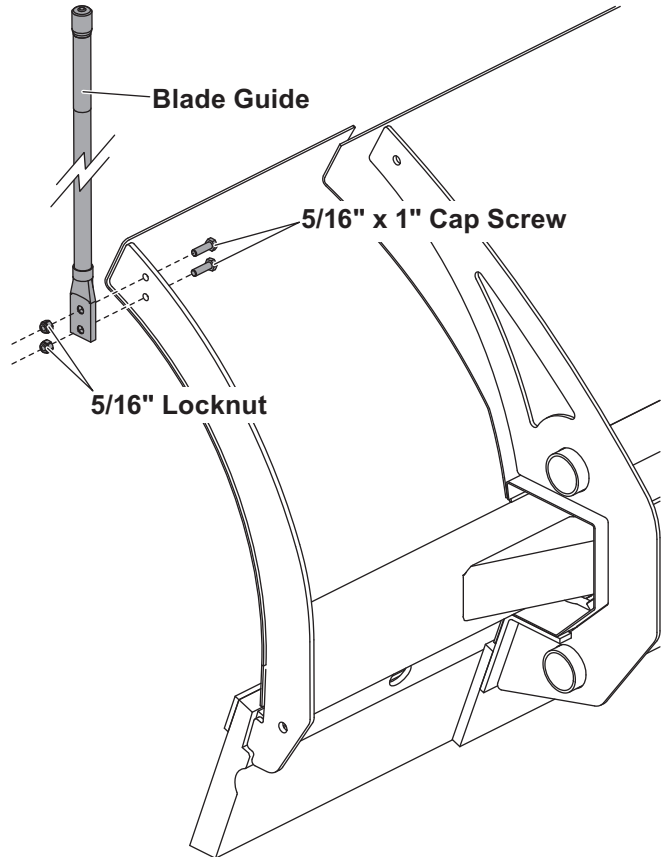
- Push the threaded ends of the eyebolts through the four holes in the spring bar on the blade. Attach a 5/8" locknut to each eyebolt.

⚠ CAUTION

Overtightening springs will not increase blade trip force and can damage the springs.

- Tighten the locknuts until the coils of the trip springs begin to separate (a piece of paper should pass between the second and third coils).

- Stand the blade and A-frame upright and support in a level position using block under the main A-frame tube. Install the blade guides.



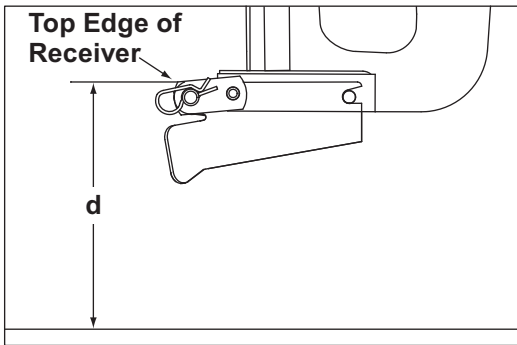
INSTALLATION INSTRUCTIONS

PIVOT PLATES TO PIVOT BAR

IMPORTANT! Before assembling the pivot plates to the ends of the pivot bar, the pivot plate orientation and pivot hole position must be determined using the following procedure.

Before measuring the vehicle mount height, the vehicle mount and receiver brackets must be installed, ballast must be installed if required, and the vehicle must be parked on a level surface.

1. Measure the distance "d" from the ground to the top edge of the receiver bracket. Measure both sides and determine average value "d".



2. Use dimension "d" from Step 1 and the following chart to determine the proper pivot plate mounting position and pivot hole selection.

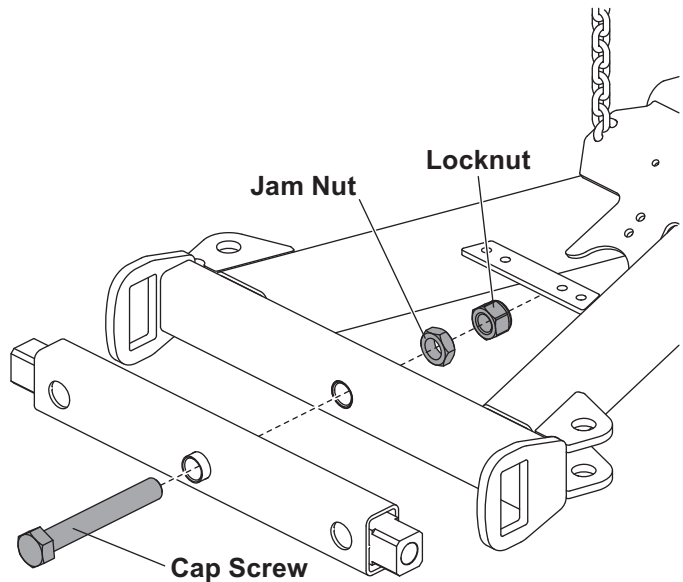
Pivot Plate Configuration Chart		
Dimension "d"	Configuration	Stacking Stop
13.0" – 14.5"	1	No
14.5" – 16.0"	2	No
16.0" – 17.5"	3	Yes
17.5" – 19.0"	4	Yes

3. Assemble the pivot plates to the ends of the pivot bar, using the appropriate plate orientation and hole position for the configuration determined in Step 2.

There are two pivot plates (A and B) which are mirror images of each other. They can be turned upside down and switched from one side of the pivot bar to the other to provide two different mounting positions.

In each pivot plate mounting position, the pivot bar pins may be installed through one of the two lower holes in the pivot plates. This provides four different height adjustment positions. For all configurations, the pivot pins must be positioned with the notches in the pivot pins facing up and the slots in the pivot pins aligned with the bottom holes at the rear of the pivot plates. Note that the pivot bar pins are never installed in either of the two upper holes in the pivot plates.

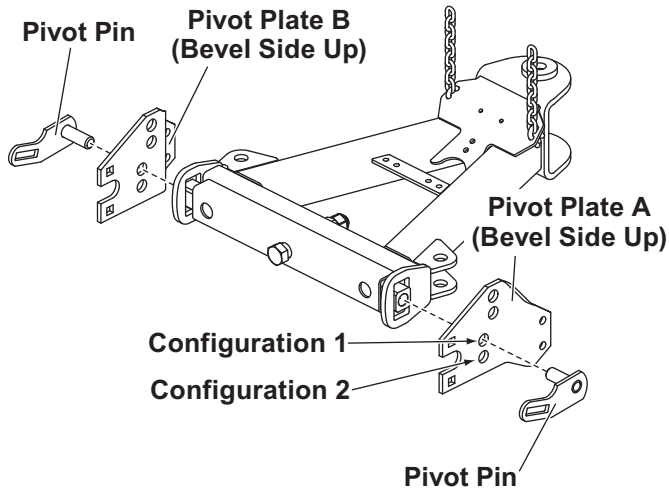
4. **IMPORTANT!** The fasteners securing the pivot bar to the pushbeam are installed from the factory, but are not fully tightened. Tighten the 1" jam nut to 25 ft-lb, then loosen it 1/16 turn. Hold the 1" cap screw and jam nut to prevent rotation, and securely tighten the 1" locknut according to the torque chart.



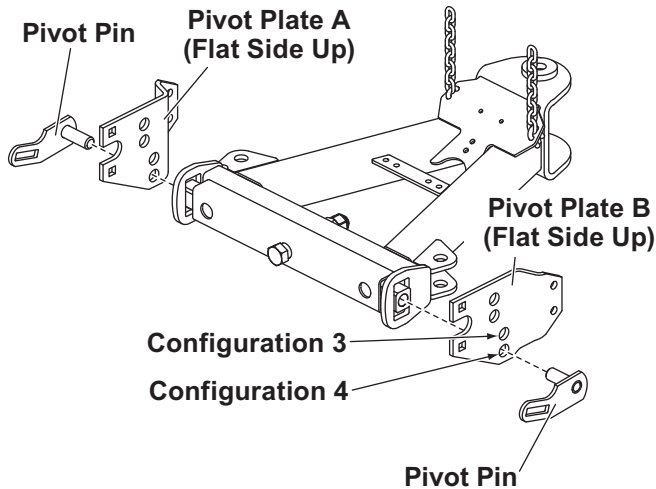
NOTE: When properly adjusted, the pivot bar should pivot freely without any looseness.

INSTALLATION INSTRUCTIONS

Pivot Plate Mounting and Hole Positions for Configurations 1 and 2



Pivot Plate Mounting and Hole Positions for Configurations 3 and 4

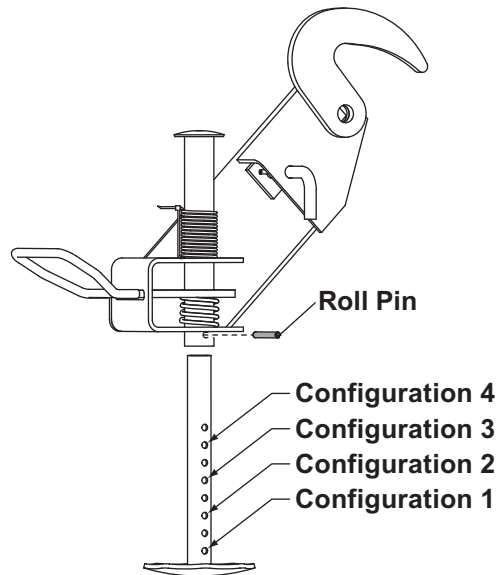


STAND SHOE

Initial stand shoe height adjustment is based on height configuration chart. A final adjustment of stand shoe will be made after attaching snowplow to vehicle.

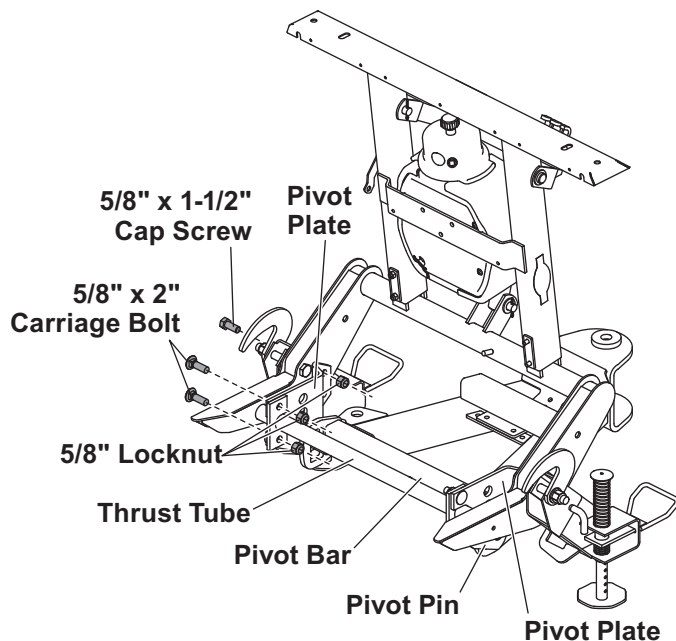
1. Slide the stand shoe into the stand tube and align the 1/4" hole in the stand tube with the 1/4" hole in the stand shoe determined from the height configuration chart and illustration below.
2. Insert 1/4" roll pin.
3. Do not cut the spring tie until after final stand shoe adjustment.
4. Remove receivers from lift frame.

Pivot Plate Configuration Chart		
Dimension "d"	Configuration	Stacking Stop
13.0" – 14.5"	1	No
14.5" – 16.0"	2	No
16.0" – 17.5"	3	Yes
17.5" – 19.0"	4	Yes



INSTALLATION INSTRUCTIONS

PIVOT PLATES TO LIFT FRAME

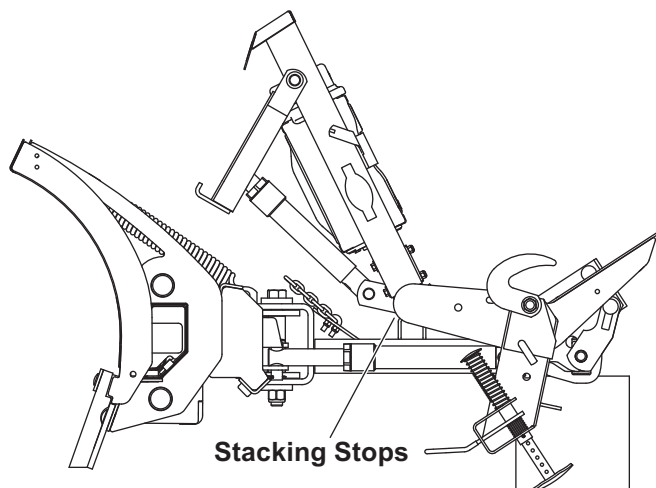


The bottom bolt passes first through the slot in the pivot pin, then through the pivot plate and attaching lug. Retain using locknuts (hand tighten only). Repeat on other side.

3. Rotate the stand assembly downward until clearance hole is visible. Insert one 5/8" x 1-1/2" cap screw through the clearance hole in lower lift frame and the top hole in the front of the pivot plate. Retain with a locknut. Repeat on other side.
4. Tighten all fasteners according to torque chart.
5. If the snowplow is going to be assembled using configurations 1 or 2, the stacking stops must be removed from the A-frame.

Refer to figure above for steps below.

1. Place the lift frame assembly on top of the A-frame assembly so the lift frame is tipped forward and resting on the stacking stops. Position the lift frame outside the pivot plates with the notch in the pivot plates around the thrust tube on the lower lift frame and align 5/8" mounting holes (3 per side).
2. Insert two 5/8" x 2" carriage bolts from the outside into the rear holes of the pivot plate. The top bolt passes through the pivot plate and attaching lug.



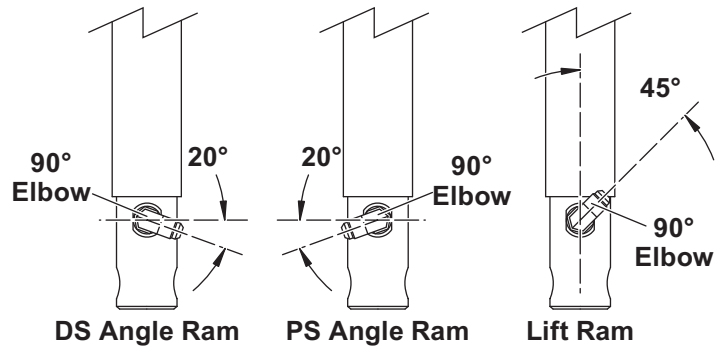
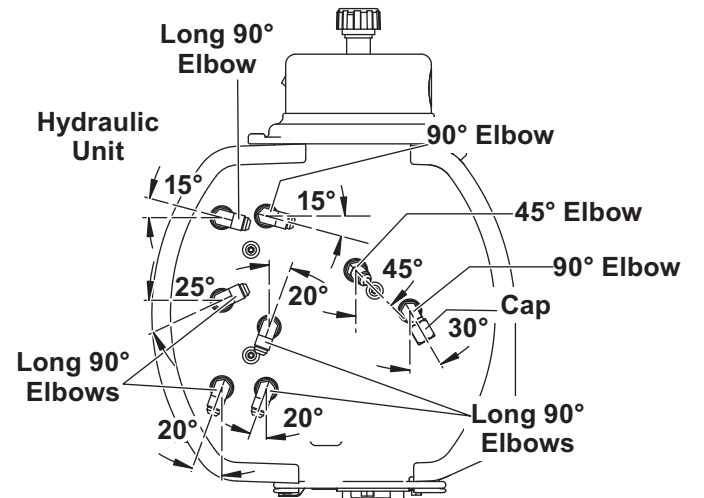
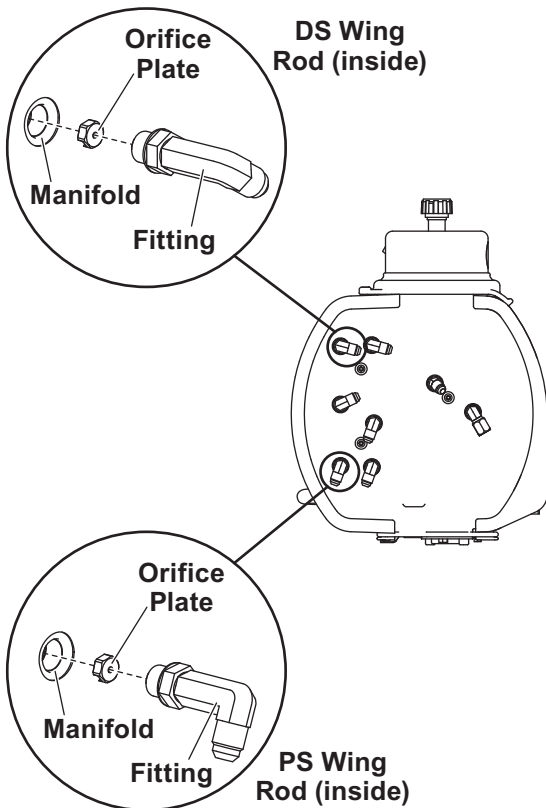
INSTALLATION INSTRUCTIONS

HYDRAULIC FITTINGS

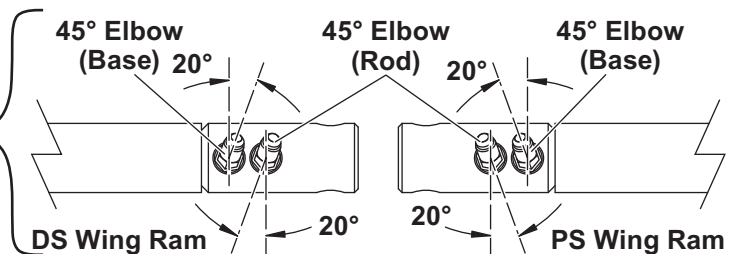
Do not use thread sealant/tape on hoses and fittings. This could damage the product. Install all fittings into rams and hydraulic unit using the following procedure and fitting orientation illustrations:

1. Remove the plug from the ram or manifold port. Use a rag to catch residual fluid when removing manifold plugs.
2. Turn the jam nut on the fitting as far back as possible.
3. Lubricate the O-ring with clean hydraulic fluid.

4. Install the hexagonal orifice plate under each wing rod fitting as shown below. The slot in the orifice plate must face the manifold. Installing the orifice plates backwards will cause blade wings to "chatter" when retracting.
5. Screw the fitting into the port by hand as far as it will go. The washer should contact the port face and the shoulder of the jam nut threads.
6. Unscrew the fitting to the proper position, no more than one full turn.
7. Use one wrench to hold the fitting body in position and tighten the jam nut with another wrench until the washer again contacts the port face. Tighten 1/8–1/4 turn to lock fitting in place.



For blades built after March 2, 2010, these fittings are pre-installed and the cylinders are pre-filled with hydraulic fluid. The build date can be found in the first six digits of the serial number, located in the upper right corner on the back of the blade (YYMMDD: YY = 2-digit year, MM = 2-digit month, DD = 2-digit day).



INSTALLATION INSTRUCTIONS

HYDRAULIC HOSES

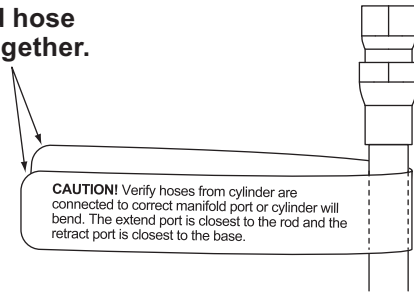
Do not use thread sealant/tape on hoses and fittings. This could damage product.

1. Apply the caution label around each wing ram hose near the wing ram fitting, as shown below.

CAUTION! Verify hoses from cylinder are connected to correct manifold port or cylinder will bend. The extend port is closest to the rod and the retract port is closest to the base.

CAUTION

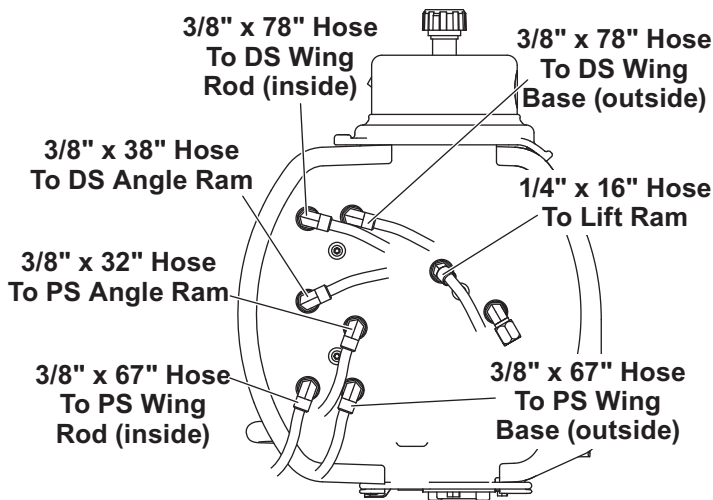
Wrap label around hose and press ends together.



⚠ CAUTION

Assembling a hose to the incorrect wing ram port can result in permanent damage to the ram.

2. Use the hose routing configuration that matches the pivot plate configuration of your snowplow.

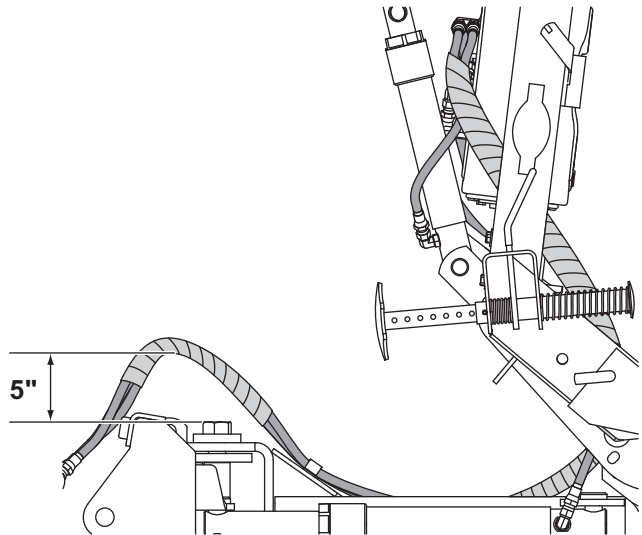


Attach all hoses to fittings, routing the hoses as shown.

For blades built after March 2, 2010, remove and discard the fitting caps from the blade extension cylinders prior to attaching hoses. The build date can be found in the first six digits of the serial number, located in the upper right corner on the back of the blade (YYMMDD: YY = 2-digit year, MM = 2-digit month, DD = 2-digit day).

Assemble the wing ram hoses **under** the A-frame crossbar and through the clamps between the lift chains. Leave hoses and clamps finger tight at this time.

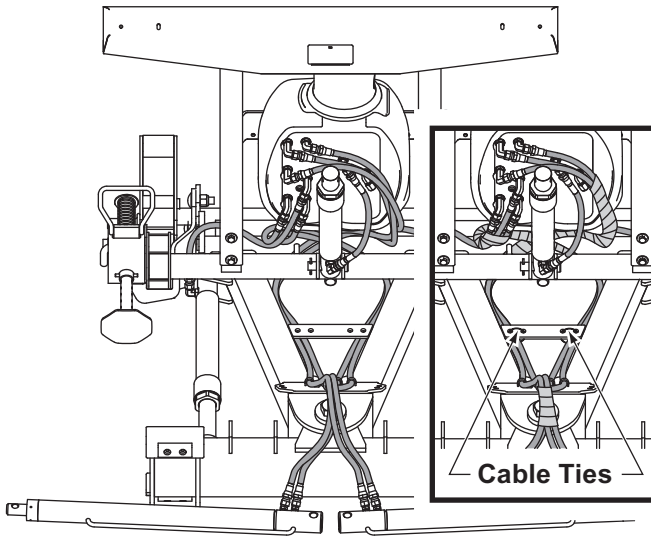
3. For all configurations, leave a service loop at least 5" above the blade pivot bolt.



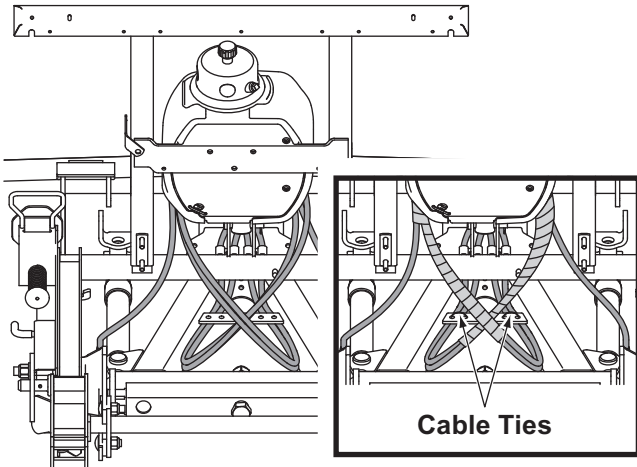
NOTE: Service loop must be at least 5" above blade pivot bolt to allow for tripping of the blade.

INSTALLATION INSTRUCTIONS

Pivot Plate Configurations 1 and 2

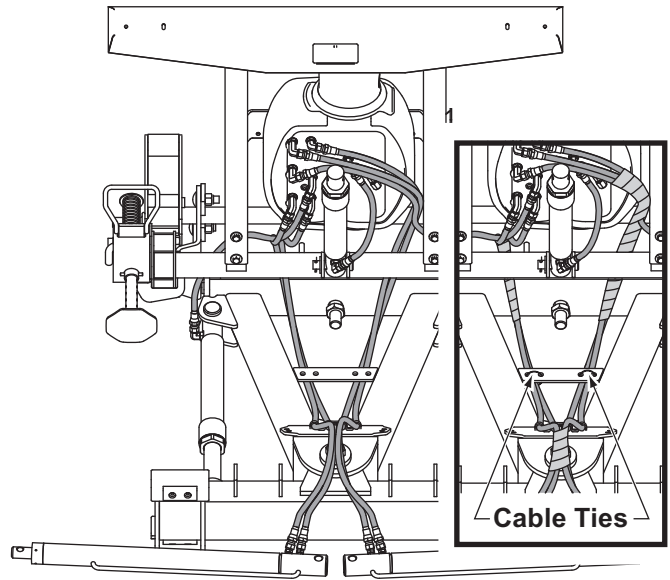


Front

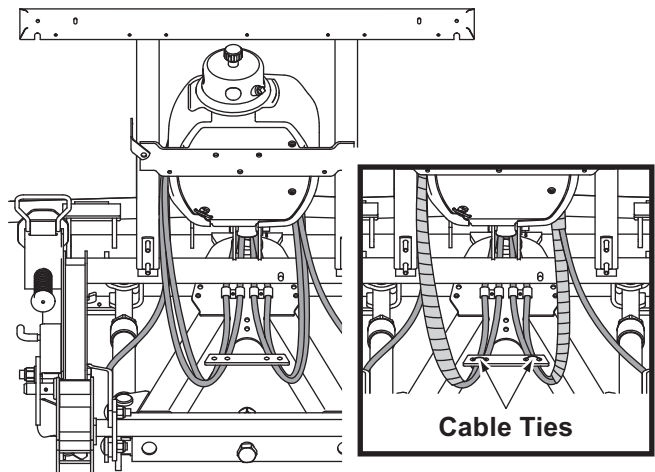


Rear

Pivot Plate Configurations 3 and 4



Front



Rear

4. Apply two protective hose wraps to each group of hoses from the front of the hydraulic unit around and down to the A-frame, breaking out the angle ram hoses behind the lift frame. Use remaining hose wrap to group the wing ram hoses into the service loop between the lift chains.

NOTE: Service loop must be at least 5" above blade pivot bolt to allow for tripping of the blade.

5. Using a wrench to hold the hose end in position, tighten all hose fittings 1/8–1/4 turn past finger tight. Tighten the hose clamps and use cable ties to secure the hoses to sides of the A-frame crossbar.

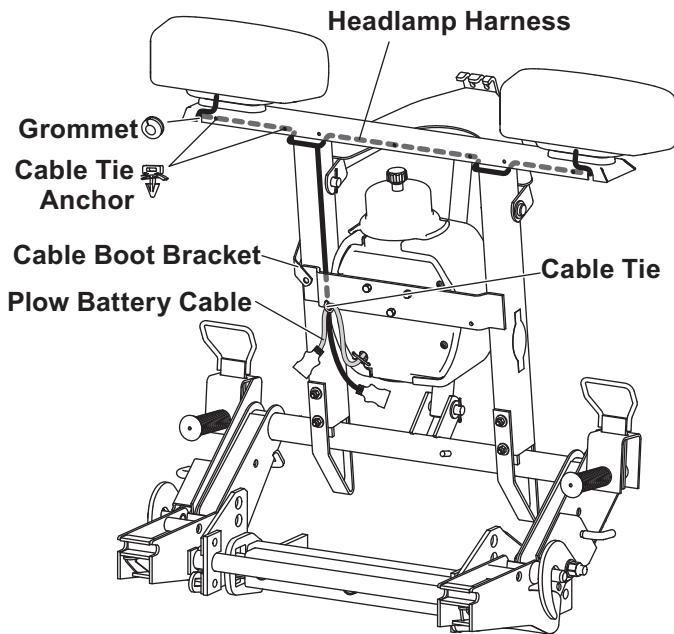
INSTALLATION INSTRUCTIONS

HEADLAMPS

⚠ WARNING

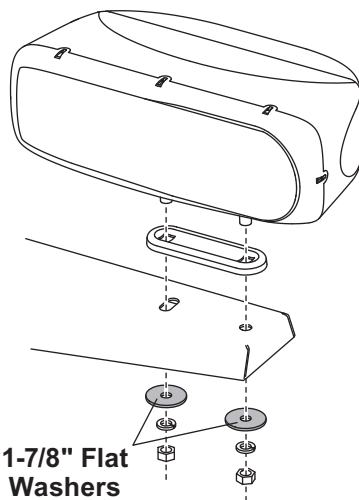
Your vehicle must be equipped with snowplow headlamps and directional lights.

Headlamps, hardware and instructions are found in the headlamp box. Additional hardware (four 1-7/8" flat washers) are found in the loose parts box.



Refer to figure above for the following instructions.

1. With the wire harness behind the lift frame, attach the headlamps to the hole and slot in the headlamp channel by following the instructions included with the headlamps. Install 1-7/8" flat washers between the headlamp channel and the lock washers.



2. Insert seven cable tie anchors into 1/4" holes on the rear of headlamp channel from inside channel, with the locking tabs horizontal.

3. Install a split rubber grommet on each headlamp wire 3" from headlamp and insert grommet and wire into slot on rear of channel.
4. Route the wires underneath the channel, behind the vertical supports, and down along the inside of the driver-side vertical support, securing the wires to the anchors with cable ties.
5. Attach the harness to the front of the hydraulic unit cross member at the driver-side vertical support with a cable tie through the hole in the cross member.
6. Secure harnesses and the battery cable to the lift frame using cable ties, as shown in illustration.
7. Install the cable boot onto the upper lift frame bracket.

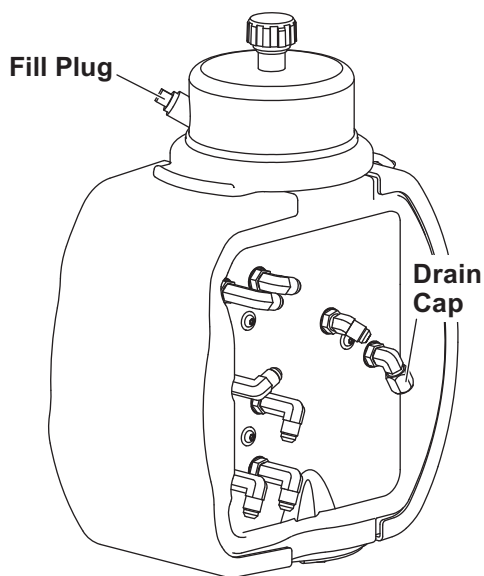
OPERATIONAL TEST AND FINAL ADJUSTMENTS

FILLING HYDRAULIC UNIT

⚠ WARNING

Keep 8' clear of the blade when it is being raised, lowered or angled. Do not stand between the vehicle and blade or directly in front of the blade. If the blade hits or drops on you, you could be seriously injured.

1. Attach the snowplow to the vehicle according to the instructions on the back of the blade.
2. With snowplow wings and lift ram fully retracted, fill the reservoir with WESTERN® High Performance Hydraulic Fluid to -40°F (-40°C), or other fluid conforming to Military Specification MIL-H-5606A, such as Mobil Aero HFA or Shell AeroShell® Fluid 4. Replace fill plug.



NOTE: Add fluid only when all rams are retracted.

⚠ WARNING

To prevent accidental movement of the blade, always turn the control OFF whenever the snowplow is not in use. The power indicator light will turn OFF.

⚠ CAUTION

DO NOT raise blade at this time as this may cause pump cavitation.

3. Turn the control ON and completely extend and retract the driver-side wing several times. Repeat for the passenger side. With the wings and lift ram fully retracted, turn the control OFF.

⚠ CAUTION

Do not mix different types of hydraulic fluid. Some fluids are not compatible and may cause performance problems and product damage.

4. Fill the reservoir with hydraulic fluid. Replace the fill plug.

NOTE: Remove fill plug slowly to relieve any pressure in reservoir.

5. Turn the control ON and angle the blade fully left and right several times. Raise and lower the snowplow several times. Activate the control FLOAT function and manually collapse lift ram all the way after each lowering of the blade. With the wings and lift ram fully retracted, turn control OFF.
6. Fill reservoir to the top of the fill hole and replace the fill plug.

FLUID CAPACITY

- FloStat® Unit Reservoir 1-3/4 quarts
- FloStat System Total 2-3/8 to 2-3/4 quarts

OPERATIONAL TEST AND FINAL ADJUSTMENTS

BLADE DROP SPEED ADJUSTMENT

⚠ WARNING

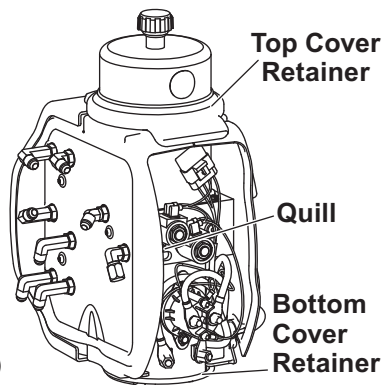
Keep 8' clear of the blade drop zone when it is being raised, lowered or angled. Do not stand between the vehicle and blade or directly in front of blade. If the blade hits you or drops on you, you could be seriously injured.

The quill in the valve manifold adjusts the blade drop speed.

1. Lower the blade to the ground before making an adjustment.

2. Turn the quill IN (clockwise) to decrease the drop speed. Turn the quill OUT

(counterclockwise) to increase the drop speed.



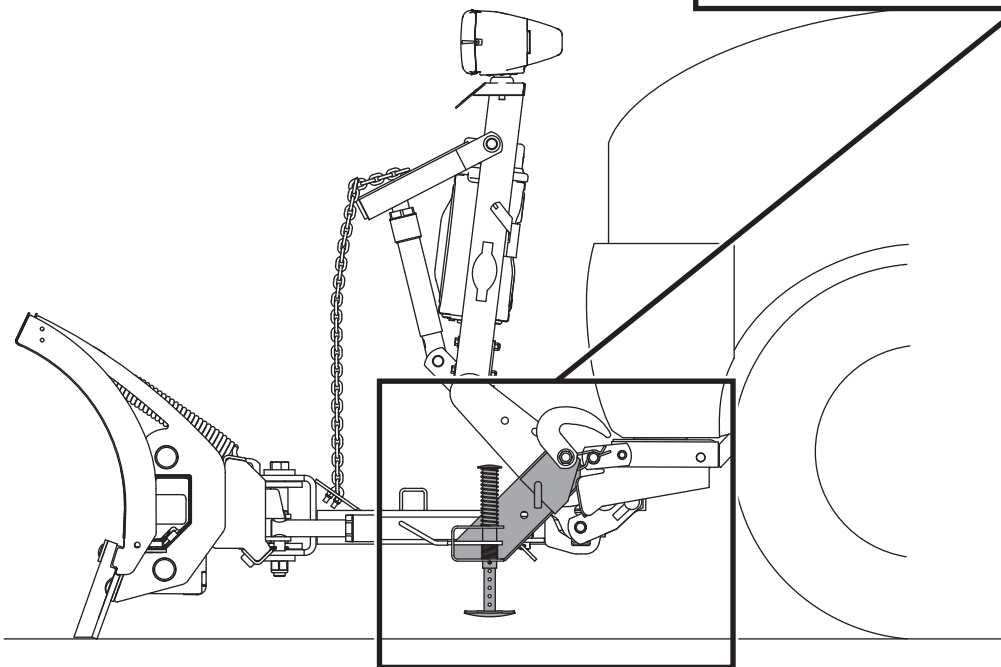
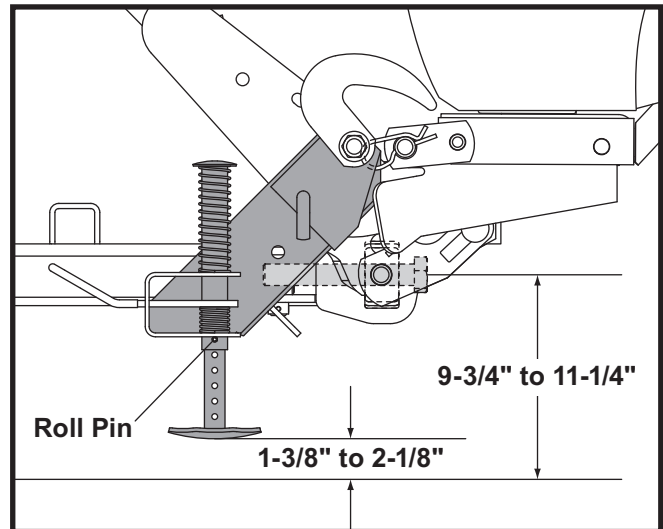
NOTE: To access the quill on the WIDE-OUT™ hydraulic unit, raise top cover retainer, remove bottom cover retainer and remove side cover.

3. Stand 8' clear of the blade drop zone when checking adjustment.
4. On the WIDE-OUT unit, replace the cover and reinstall the O-ring and top cover seal.

OPERATIONAL TEST AND FINAL ADJUSTMENTS

FINAL INSPECTION AND ADJUSTMENT

1. Attach snowplow to the vehicle mount. With snowplow lowered to the ground and on level pavement, measure the dimension from the ground to the center of the pivot bar cap screw. This dimension must be 9-3/4" to 11-1/4".
2. With the snowplow attached and on the ground, place the stand arm in the lower position with the lock pin engaged and with the stand shoe fully retracted in the "UP" position. Measure the distance from the ground to the bottom of the stand shoe. This distance should be 1-3/8" to 2-1/8". The stand can be adjusted to achieve this dimension by removing the roll pin and selecting the proper hole in the stand stem. When the stand height is correct, cut and remove the spring tie.
3. Final lift chain link adjustment must be made after the snowplow is assembled with the proper pivot plate position. On a level surface with the snowplow on the ground and the lift ram fully collapsed, attach the chains to the lift arm hooks in the tightest possible link. This adjustment will provide for optimum transport height, blade float and stacking stop clearance. When chain tension is correct, the A-frame will not contact the lift frame when the blade is fully raised.
4. Fully raise the blade and verify that it does not block the headlamp beams. If the blade blocks the headlamp beams, lower the blade to the ground, collapse the lift ram and lengthen each chain by one link. Repeat this process, lengthening the chains by one link each time, until the blade does not block the headlamp beams.
5. Fully angle the blade in both directions in raised and lowered positions. Adjust hose fittings, wraps and clamps so hoses do not contact vehicle bumper, have no sharp bends and are wrapped at contact points with the lift and A-frames and between the lift chains. Verify the service loop for blade tripping is at least 5" above the blade pivot bolt.



OPERATIONAL TEST AND FINAL ADJUSTMENTS

VEHICLE LIGHTING CHECK

1. Verify the operation of all vehicle front lighting prior to connecting the snowplow harness.
2. Check the operation of the snowplow lights with snowplow mounted to vehicle and all harnesses connected.

Turn signals and parking lamps

Parking lamps ON:

- Both vehicle and snowplow parking lamps should be ON at the same time.

Driver-side turn signal ON:

- Both vehicle and snowplow driver-side turn signal lamps should flash at the same time.

Passenger-side turn signal ON:

- Both vehicle and snowplow passenger-side turn signal lamps should flash at the same time.

Headlamps

Move vehicle headlamp switch to the "ON" position. Connecting and disconnecting the snowplow lighting harness plug should switch the lights between vehicle and snowplow as follows:

Snowplow lighting harness DISCONNECTED:

- Vehicle headlamps should be ON.
- Snowplow headlamps should be OFF.

Snowplow lighting harness CONNECTED:

- Snowplow headlamps should be ON.
- Vehicle headlamps should be OFF.

Dimmer switch should toggle headlamps between high and low beams. The high beam indicator on the dash should light when headlamps are placed in high beam.

Daytime Running Lamps (DRLs)

An operational check of the vehicle and snowplow DRLs will depend on the vehicle model, vehicle DRL system and type of Isolation Module installed. Due to the variations in the OEM DRL systems and the different Isolation Module

options available, checking the functionality of the snowplow DRLs will depend on the type of module installed on the vehicle.

With headlamp switch OFF, activate the vehicle DRLs.

Snowplow lighting harness DISCONNECTED:

- Vehicle DRLs should be ON.
- Snowplow headlamps should be OFF.

Snowplow lighting harness CONNECTED and vehicle in DRL mode:

- Check snowplow DRL function per the type of Isolation Module installed.

Refer to the Mechanic's Guide for information on the Isolation Module DRL functions.

Hand-Held Control

The snowplow plugs **do** need to be connected to the vehicle harness connectors. The control power indicator light should light whenever the control ON/OFF switch and the ignition (key) switches are both in the "ON" position.

3. Connect all snowplow and vehicle harnesses. Raise the snowplow and aim snowplow headlamps according to the Snowplow Headlamp Beam Aiming instructions included with the headlamps and any state or local regulations.
4. Check aim of vehicle headlamps with snowplow removed.

CAUTION

On 2-plug electrical systems, plug covers shall be used whenever snowplow is disconnected. Vehicle Battery Cable is 12-volt unfused source.

5. When the snowplow is removed from the vehicle, install plug covers on the vehicle battery cable and lighting harness. Insert the snowplow battery cable and lighting harness into the cable boot on the snowplow.

OPERATIONAL TEST AND FINAL ADJUSTMENTS

OWNER'S MANUAL PACKET

If the completed snowplow will be delivered immediately, the Owner's Manual should be reviewed with and given to the purchaser according to the snowplow checklist.

If the snowplow is completed prior to delivery to the purchaser, attach the Owner's Manual Packet to the electrical cable of the cab control for safekeeping.



Western Products
PO Box 245038
Milwaukee, WI 53224-9538
www.westernplows.com

 A DIVISION OF DOUGLAS DYNAMICS, L.L.C.

Western Products reserves the right under its product improvement policy to change construction or design details and furnish equipment when so altered without reference to illustrations or specifications used. Western Products or the vehicle manufacturer may require or recommend optional equipment for snow removal. Do not exceed vehicle ratings with a snowplow. Western Products offers a limited warranty for all snowplows and accessories. See separately printed page for this important information. The following are registered (®) or unregistered (™) trademarks of Douglas Dynamics, L.L.C.: FloStat®, UltraMount®, WESTERN®, WIDE-OUT™.

Printed in U.S.A.