



Hopper and Drive Components

Striker™ Hopper Spreader
with Electric Motors

#99030, 99031, 99035, 99039

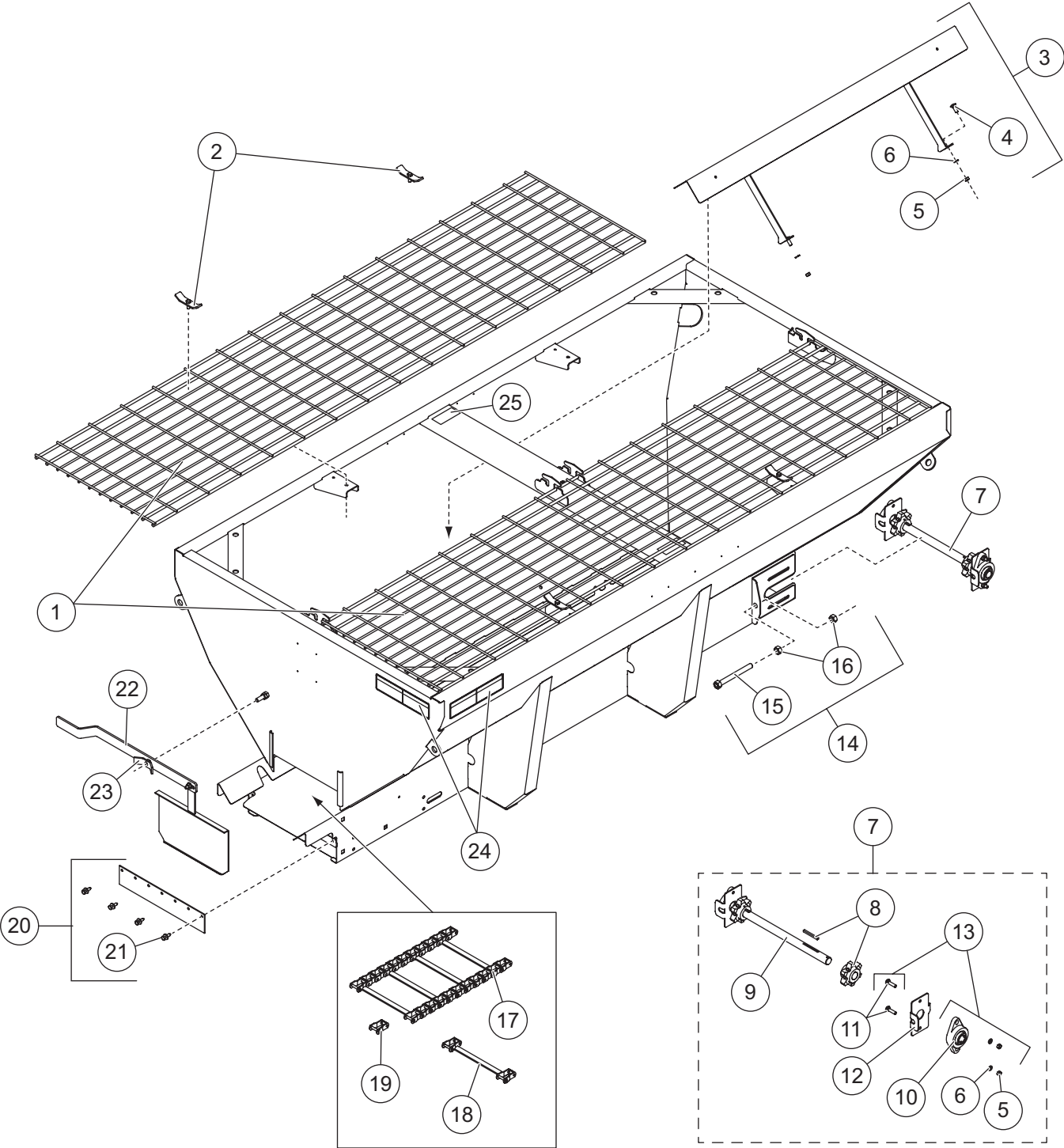
Parts List



This Parts List is for WESTERN® Striker Hopper Spreaders with serial numbers beginning with 150515 and higher.

Striker™ HOPPER SPREADER

HOPPER COMPONENTS



Striker™ HOPPER SPREADER

Hopper Components							
Item	Part	Qty	Description	Item	Part	Qty	Description
1	99515	2	Top Screen – 7'	14	99073	2	Tensioner Bolt Kit
	99516	2	Top Screen – 8'	15		1	5/8-11 x 6 Take-Up Bolt
	99517	2	Top Screen – 9' Narrow	16		2	5/8-11 Hex Nut
	99518	2	Top Screen – 9' Wide	17	94898	1	Pintle Chain (108 Links) – 7' & 8' Hoppers
2	96038	4	Wing Bolt, Top Screen	18	68474	1	Pintle Chain (123 Links) – 9' Hopper
ns	99777	2	Rubber Grip, Wing Bolt (pkg. of 2)	68492		1	Conveyor Repair Bar w/Pins & Cotters
3	99482	1	Inverted V Kit – 7' & 8' Hoppers	19	68475	1	Conveyor Repair Link w/Pins & Cotters
ns	99119	1	Inverted V Kit – 9' Hopper	20	78266	1	Wiper Replacement Kit
4		4*	3/8-16 x 1 Carriage Bolt SS	21	99079	1	Rivet Kit, Steel Hopper Wiper
5		8†	3/8-16 Hex Nut SS	22	99083	1	Feed Gate Assembly w/Wing Nut
6		8†	3/8 Lock Washer SS	ns	99523	1	Rubber Grip, Feed Gate Handle
7	99480	1	Idler Shaft Assembly Kit	23	65218	1	1/2-13 Wing Nut G5
8	99479	2	6-Tooth Sprocket Assembly	24	68584	2	Label – Warning/Caution, Spreaders
9	94351	1	Idler Shaft	25	67272	2	Label – Caution, Do Not Lift
10	94536	2	Bearing 1.125 ID 2-Bolt Flange	ns	68790	1	Ratchet Straps Kit (4 straps)
11		4	3/8-16 x 1-1/2 Carriage Bolt SS				
12	99765	2	Bearing Alignment Plate				
13	94953	2	Spreader Bearing Kit				
Item 7				99480 Idler Shaft Assembly Kit			
5		2	3/8-16 Hex Nut SS	10	94536	2	Bearing 1.125 ID 2-Bolt Flange
6		2	3/8 Lock Washer SS	11		4	3/8-16 x 1-1/2 Carriage Bolt SS
8	99479	2	6-Tooth Sprocket Assembly	12	99765	2	Bearing Alignment Plate
9	94351	1	Idler Shaft				
Item 13				94953 Spreader Bearing Kit			
5		2	3/8-16 Hex Nut SS	10	94536	1	Bearing 1.125 ID 2-Bolt Flange
6		2	3/8 Lock Washer SS	11		2	3/8-16 x 1-1/2 Carriage Bolt SS
SS = Stainless Steel			ns = not shown			G = Grade	

* Qty 6 for 9' hopper.

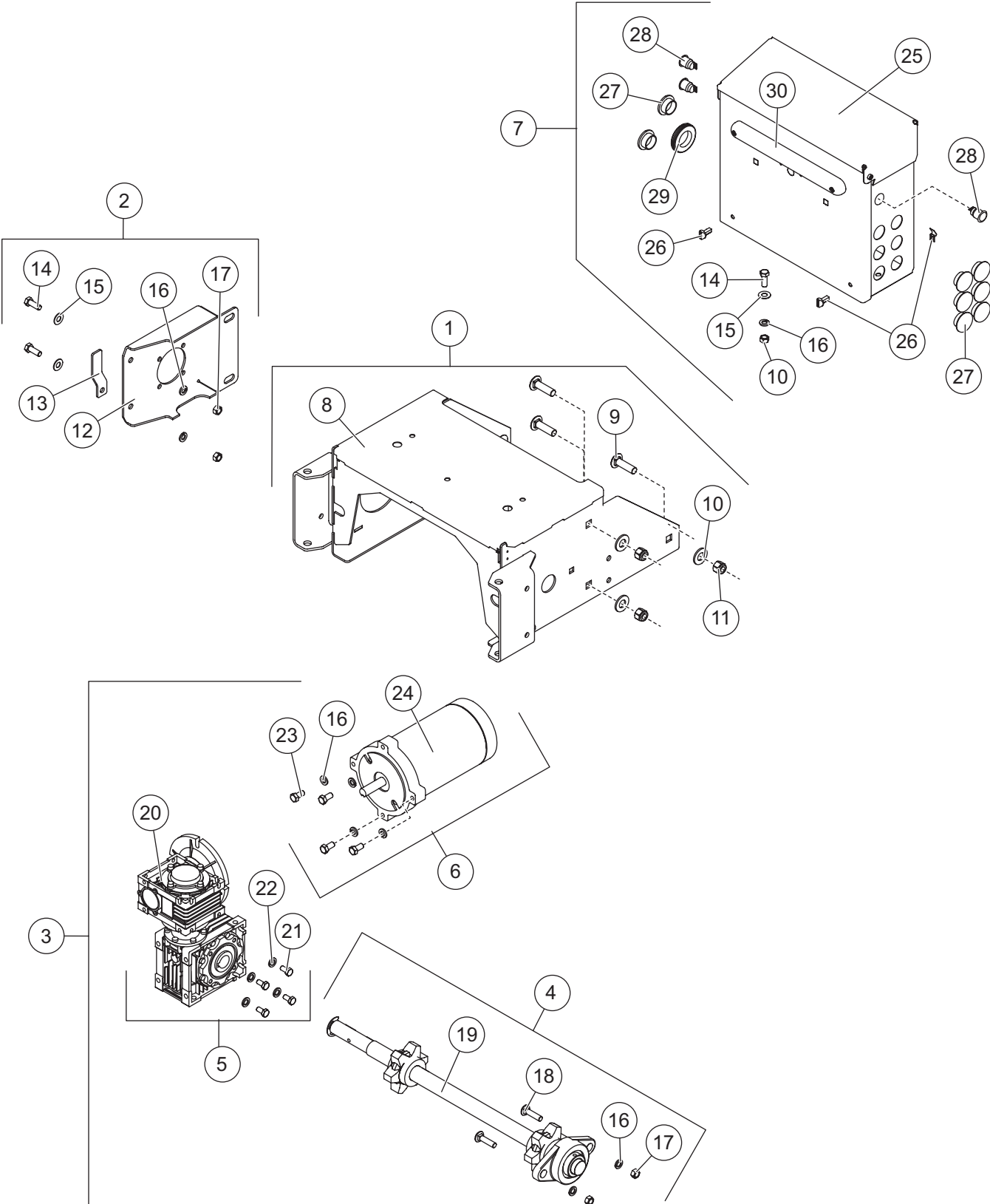
† Qty 10 for 9' hopper.



Steel Hopper Logo Plates w/Rivets							
Item	Part	Qty	Description	Application			
				7' (1.5 cu yd)	8' (2.0 cu yd)	9' (3.0 cu yd)	9' (4.5 cu yd)
26	96562	2	Side Logo Plate – Small	■	■		■
	96564	2	Side Logo Plate – Large			■	
27	96561	1	Rear Logo Plate – Small	■	■		
	96563	1	Rear Logo Plate – Large			■	■

Striker™ HOPPER SPREADER

CONVEYOR DRIVE COMPONENTS



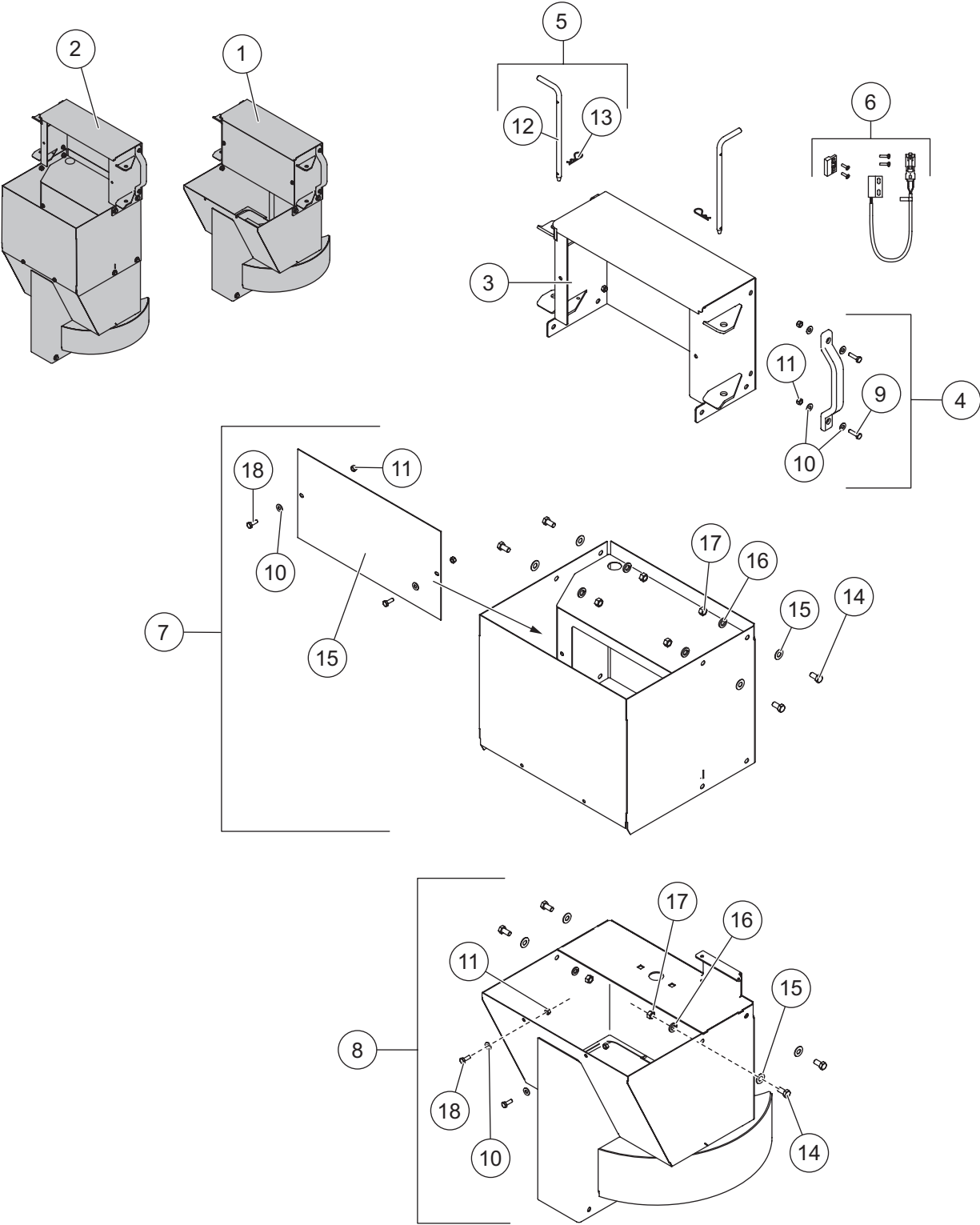
Striker™ HOPPER SPREADER

Conveyor Drive Components							
Item	Part	Qty	Description	Item	Part	Qty	Description
1	99092	1	Electric Power Group Mount Kit	5	99087	1	Gear Box Kit
2	99089	1	Gear Box Bracket Kit*	6	99085	1	Conveyor Motor Kit
3	99091	1	Electric Conveyor Drive Kit	7	99077	1	Electrical Box Assembly
4	99094	1	Drive Shaft Kit, Electric	ns	99744	1	Label Kit, SH Electrical Control Box
Item 1 99092 Electric Power Group Mount Kit							
8	99569	1	Electric Power Group Mount	10		6	1/2 Flat Washer SS
9		6	1/2-13 x 1-3/4 Carriage Bolt SS	11		6	1/2-13 Locknut SS
Item 2 99089 Gear Box Bracket Kit*							
12		1	Gear Box Bracket	15		2	3/8 Flat Washer SS
13		1	Cable Boot Stand	16		4	3/8 Lock Washer SS
ns	99775	1	Cable Boot – 8-pin	17		2	3/8-16 Hex Nut SS
14		2	3/8-16 x 1 Hex Cap Screw SS				
Item 3 99091 Electric Conveyor Drive Kit							
4	99094	1	Drive Shaft Kit, Electric	6	99085	1	Conveyor Motor Kit
5	99087	1	Gear Box Kit				
Item 4 99094 Drive Shaft Kit							
16		2	3/8 Lock Washer SS	18		2	3/8-16 x 1-1/2 Carriage Bolt SS
17		2	3/8-16 Hex Nut SS	19		1	Drive Shaft Assembly
Item 5 99087 Gear Box Kit							
20	99067	1	Gear Box 10 x 10 x 2X Worm Gear	22		4	M8 Lock Washer SS
21		4	M8 x 1.25 x 16 Hex Cap Screw SS				
Item 6 99085 Conveyor Motor Kit							
16		2	3/8 Lock Washer SS	24		1	Motor 1/2 hp NEMA 56C
23		4	3/8-16 x 3/4 Hex Cap Screw SS				
Item 7 99077 Electrical Box Assembly							
10		6	1/2 Flat Washer SS	26	99570	1	Electrical Box Latch Kit (pkg of 2)
14		2	3/8-16 x 1 Hex Cap Screw SS	27	99195	8	Break-Through Plug
15		2	3/8 Flat Washer SS	28	99254	3	Switch, Push Button
16		2	3/8 Lock Washer SS	29		1	0.25 Grommet
25	99696	1	Electrical Box	30	99080	1	CHMSL Kit
SS = Stainless Steel G = Grade							

* 99089 Kit also contains 2 each of items 9, 10, and 11.

Striker™ HOPPER SPREADER

CHUTE ASSEMBLY



Striker™ HOPPER SPREADER

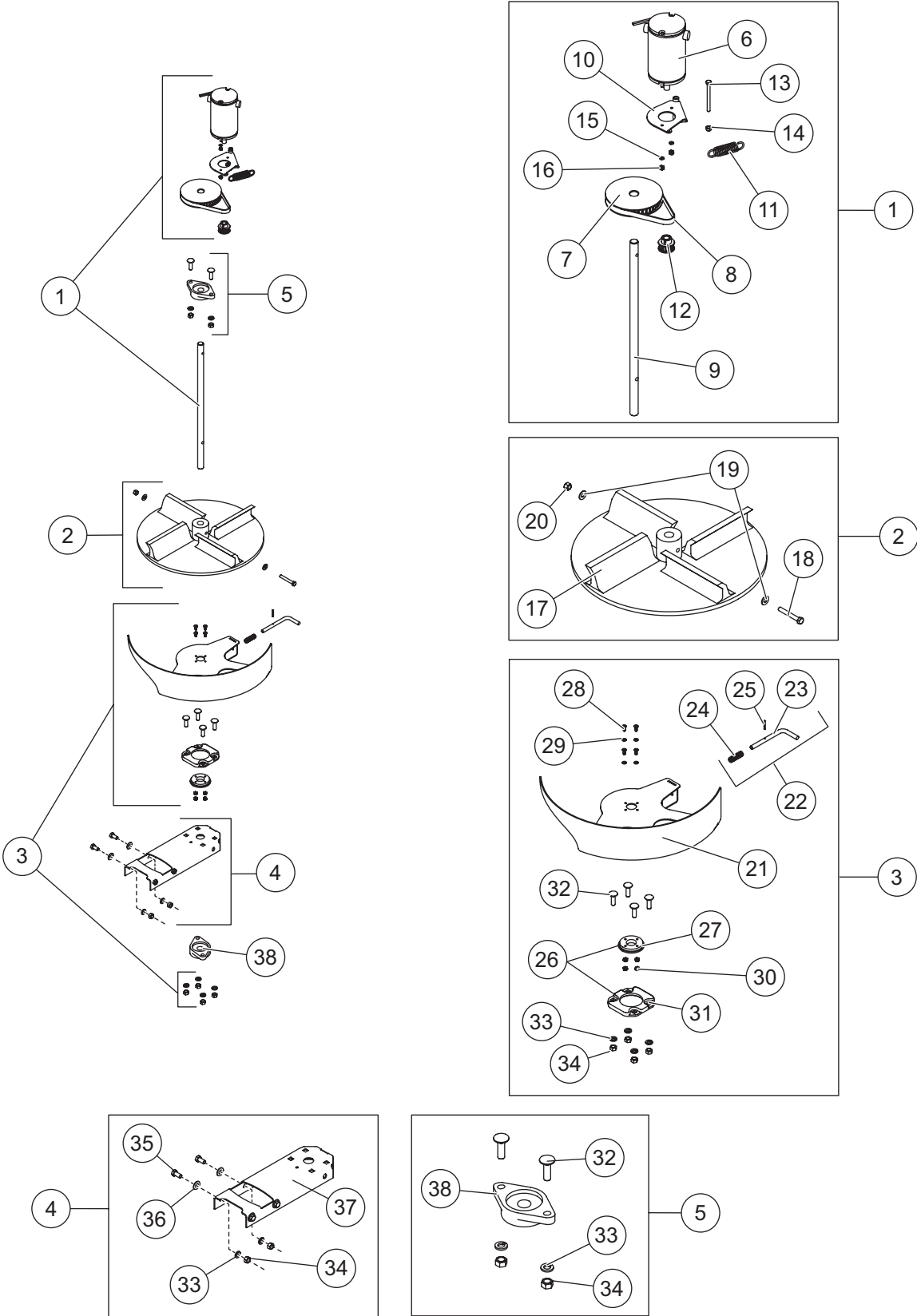
Chute Assembly							
Item	Part	Qty	Description	Item	Part	Qty	Description
1	99096	1	Short Chute Assembly – Complete*	5	99613	1	Chute Attachment Kit
2	99132	1	Long Chute Assembly – Complete*	6	99568	1	Magnetic Chute Interlock Kit
3	96386	1	Chute Upper Section	7	99139	1	Chute Middle Section Kit†
4	99098	2	Handle Kit	8	99137	1	Chute Lower Section Kit
Item 4				99098 Handle Kit			
9		2	1/4-20 x 1-1/4 Hex Cap Screw SS	11		2	1/4-20 Locknut GB SS
10		4	1/4 Flat Washer SS				
Item 5				99613 Chute Attachment Kit			
12		2	3/8 x 8-1/4 Chute Pin	13		2	3/32 x 2-1/4 Cotter Pin
Item 7				99139 Chute Middle Section/Extension Kit†			
10		2	1/4 Flat Washer SS	16		4	3/8 Lock Washer SS
11		2	1/4-20 Locknut GB SS	17		4	3/8-16 Hex Nut SS
14		4	3/8-16 x 3/4 Hex Cap Screw SS	18		2	1/4-20 x 3/4 Hex Cap Screw
15		4	3/8 Flat Washer SS	19		1	Chute Motor Cover
Item 8				99137 Chute Lower Section Kit			
4		2	1/4 Flat Washer SS	14		4	3/8 Lock Washer SS
5		2	1/4-20 Locknut GB SS	15		4	3/8-16 Hex Nut SS
12		4	3/8-16 x 3/4 Hex Cap Screw SS	16		2	1/4-20 x 3/4 Hex Cap Screw SS
13		4	3/8 Flat Washer SS				
SS = Stainless Steel				ns = not shown			

* Includes spinner and shutter assemblies shown on following page.

† Not used in the 99132 short chute assembly.

Striker™ HOPPER SPREADER

SPINNER DRIVE & SHUTTER ASSEMBLIES



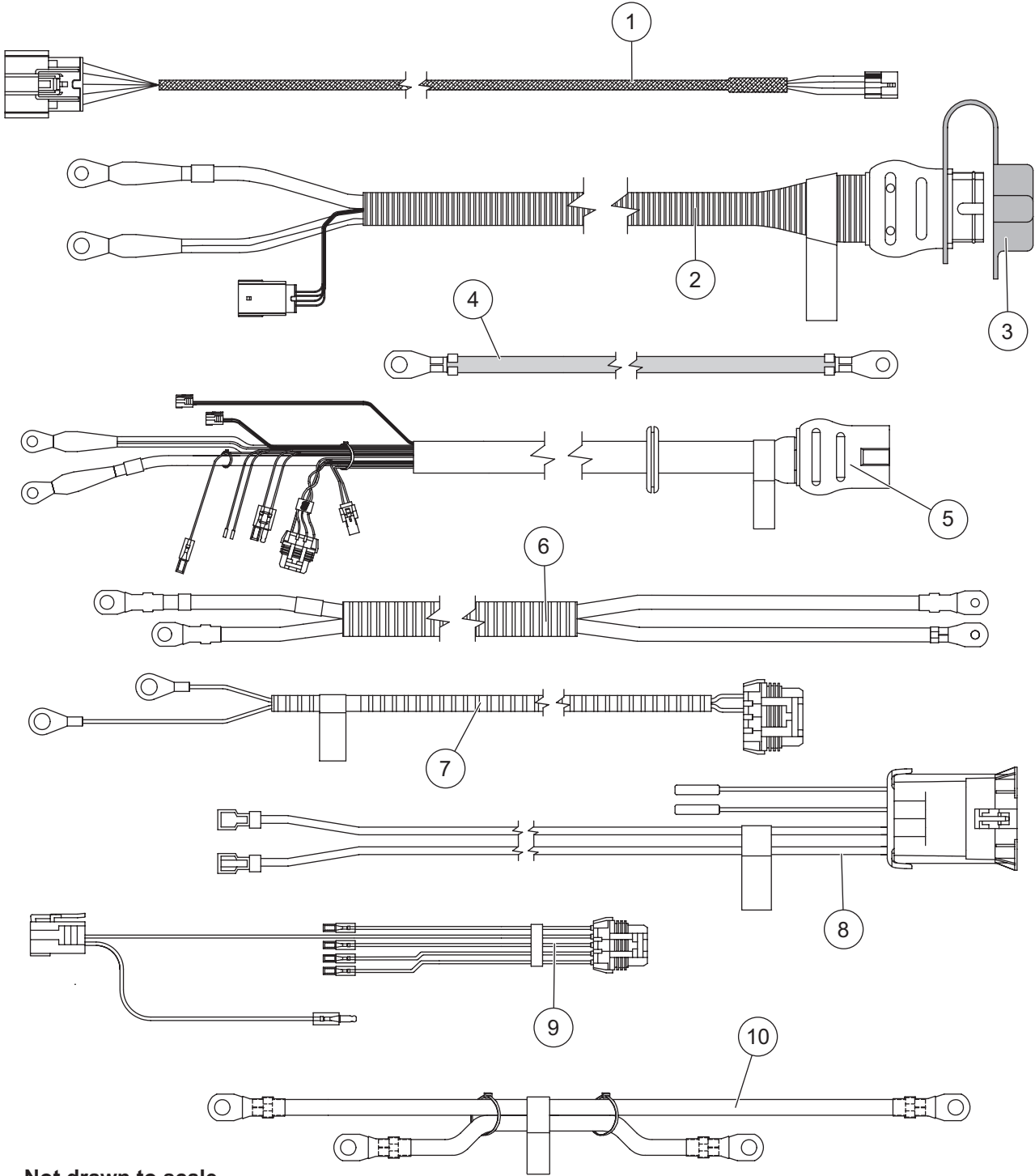
Striker™ HOPPER SPREADER

Spinner Drive & Shutter Assemblies							
Item	Part	Qty	Description	Item	Part	Qty	Description
1	96506	1	Chute Drive Service Kit	4	96392	1	Shutter Bearing Support Kit
2	99485	1	Poly Spinner Kit	5	96501	2	Bearing Kit
3	99135	1	Shutter Replacement Kit				
Item 1				99133 Chute Drive Service Kit			
6	93100	1	Motor 12V 1/3 hp	12	99510	1	10-Tooth Pulley, Drive Gear
7	78066	1	40-Tooth Cogged Belt Pulley 3/4 Bore	ns	99614	1	Bolt Bag, Chute Service Kit
8	M1355	1	Spinner Drive Belt	13		1	1/4-20 x 3 Hex Cap Screw SS
9	99228	1	Spinner Shaft	14		1	1/4-20 Locknut GB SS
10		1	Spinner Motor Tensioner Plate	15		2	#10 Flat Washer SS
11	99776	1	Tension Spring SS	16		2	#10-32 Locknut GB SS
Item 2				99485 Poly Spinner Kit			
17		1	Spinner, Black Poly – CW Rotation	19		2	5/16 Flat Washer SS
18		1	5/16-18 x 2-1/4 Hex Cap Screw SS	20		1	5/16-18 Locknut GB SS
Item 3				99135 Shutter Replacement Kit			
21		1	Shutter Assembly, Steel Hopper	29		4	#10 Flat Washer SS
22	96505	1	Shutter Lock Pin Kit	30		4	10-32 Locknut SS
23		1	Shutter Lock Pin	31		1	Shutter Bearing – Outer
24		1	Spring, Chute Lock Assembly	32		4	3/8-16 x 1-1/4 Carriage Bolt Short Square Neck
25		1	1/8 x 3/4 Roll Pin	33		4	3/8 Lock Washer SS
26	96504	1	Shutter Bearing Kit	34		4	3/8-16 Hex Nut SS
27		1	Shutter Bearing – Inner	ns	99615	1	Bolt Bag, Shutter Replacement Kit*
28		4	10-32 1/2 #2 Pan-Head SS				
Item 4				96392 Shutter Bearing Support Kit			
ns	96529	1	Bolt Bag, Shutter Bearing Support Kit	35		4	3/8-16 x 3/4 Hex Cap Screw SS
33		4	3/8 Lock Washer SS	36		4	3/8 Flat Washer SS
34		4	3/8-16 Hex Nut SS	37		1	Chute Lower Bearing Support
Item 5				96501 Bearing Kit			
32		4	3/8-16 x 1-1/4 Carriage Bolt Short Square Neck	34		4	3/8-16 Hex Nut SS
33		4	3/8 Lock Washer SS	38	96167	1	Pillow Block Bearing 3/4 Bore
SS = Stainless Steel				ns = not shown		G = Grade	

* Includes item 31.

Striker™ HOPPER SPREADER

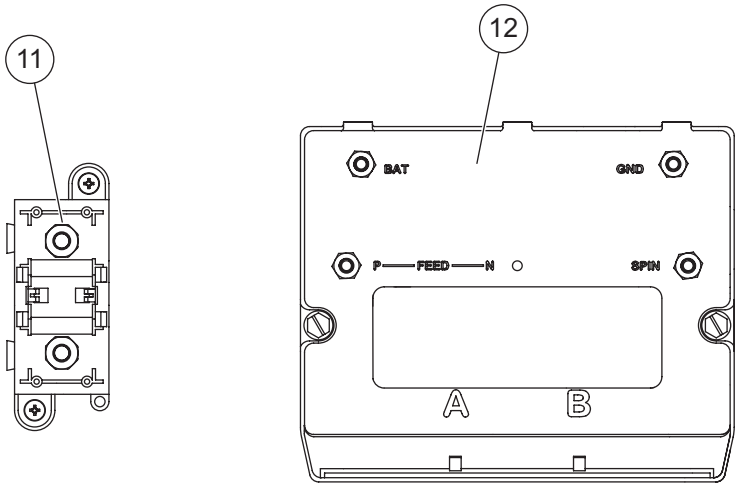
ELECTRICAL COMPONENTS



Not drawn to scale.

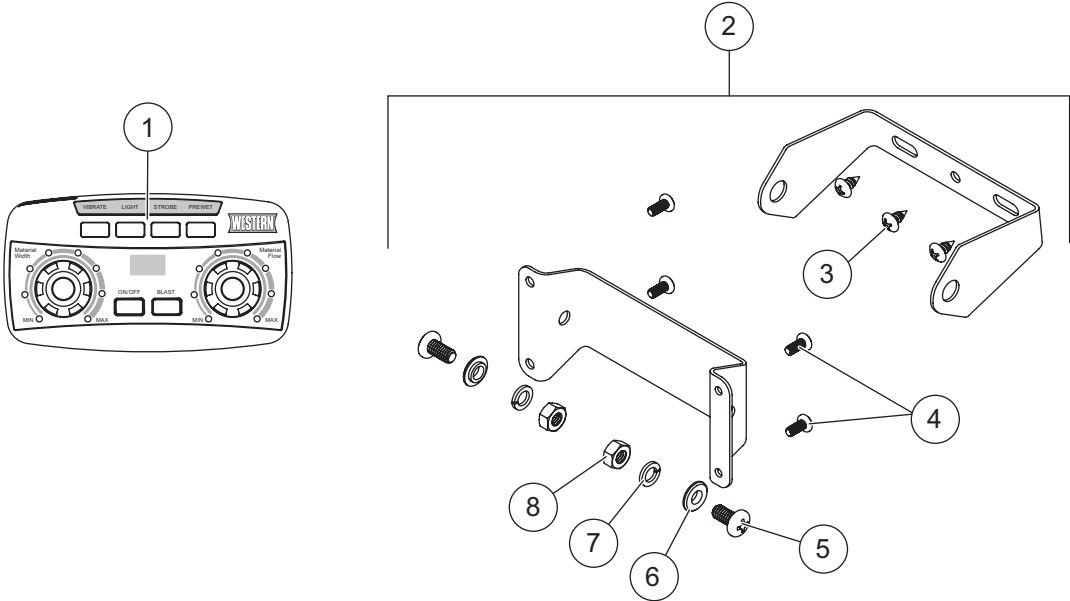
Striker™ HOPPER SPREADER

Electrical Components							
Item	Part	Qty	Description	Item	Part	Qty	Description
1	69902	1	Vehicle Control Harness	8	78105	1	Cable Assembly – Chute Spinner Motor
2	76057	1	Vehicle Harness Assembly	9	69939	1	10-Pin Connector w/Switch
3	99759	1	Plug Cover	10	78385	1	Cable – Module to Isolated Stud Block
4	22511K	1	Battery Cable 22" – Red	11	95837	1	Isolated Stud Block
5	69906	1	Hopper Harness Assembly	12	52380	1	4-Post Isolation Module
6	78103	1	Conveyor Motor Cable	ns	99772	1	Motor Terminal Cover Kit (pkg of 2)
7	78361	1	Cable Assembly – Module to Spinner				
SS = Stainless Steel				G = Grade			



Striker™ HOPPER SPREADER

CAB CONTROL



99534 Cab Control Kit							
Item	Part	Qty	Description	Item	Part	Qty	Description
1	99774	1	Cab Control 2-Knob	5		2	1/4-20 x 1/2 Pan Head Machine Screw SS – Black
2	52345	1	Cab Control Bracket Kit	6		2	1/4 Shoulder Washer SS – Black
3		3	#10 x 3/8 Pan Head Tapping Screw SS	7		2	1/4 Lock Washer SS
4		4	#8 x 3/8 Pan Head Machine Screw	8		2	1/4-20 Hex Nut G5 – Black
SS = Stainless Steel				G = Grade			

Striker™ HOPPER SPREADER

ACCESSORIES

Accessories					
Item	Part	Description	Item	Part	Description
	99139	Chute Middle Section/Extension Kit		99504	Vibrator Kit
	99686	License Plate Light Kit		99488	Hopper Side Extension Kit
	99505	Primary Work Light Kit		92532	Truck Mount Kit, 2 Bars – 7' & 8' Hoppers
	99732	Secondary Work Light Kit		92533	Truck Mount Kit, 3 Bars – 9' Hoppers
	99494	Strobe Light Kit		99690	Hold-Down Kit (chains & turnbuckles)

Striker™ HOPPER SPREADER

Copyright © 2016 Douglas Dynamics, LLC. All rights reserved. This material may not be reproduced or copied, in whole or in part, in any printed, mechanical, electronic, film or other distribution and storage media, without the written consent of Western Products. Authorization to photocopy items for internal or personal use by Western Products outlets or spreader owner is granted.

Western Products reserves the right under its product improvement policy to change construction or design details and furnish equipment when so altered without reference to illustrations or specifications used. Western Products or the vehicle manufacturer may require or recommend optional equipment for spreaders. Do not exceed vehicle ratings with a spreader. Western Products offers a limited warranty for all spreaders and accessories. See separately printed page for this important information. The following are registered (®) or unregistered (™) trademarks of Douglas Dynamics, LLC: Striker™, WESTERN®.

Printed in U.S.A.
