



# HOPPER SPREADER COMPONENTS

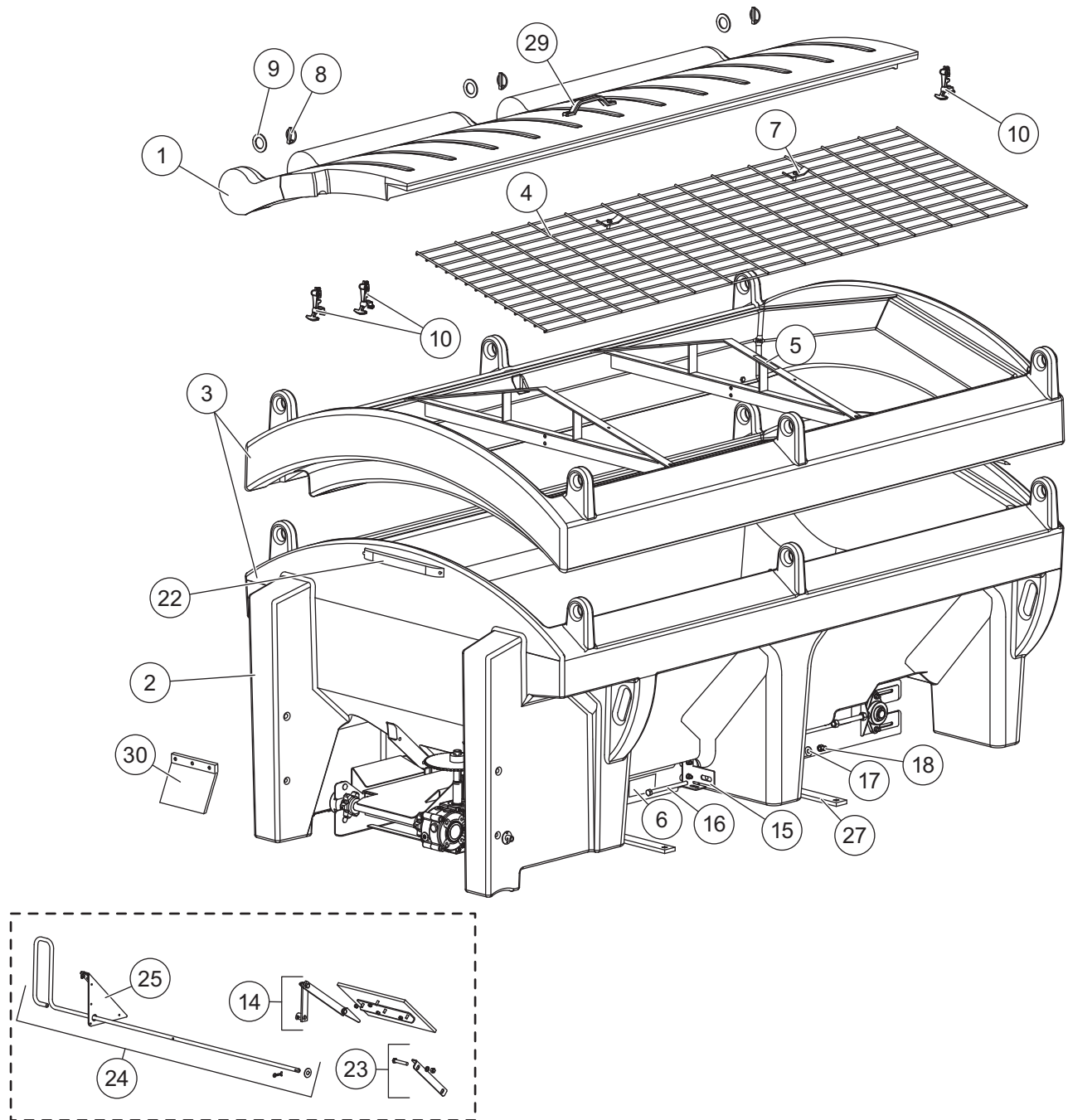
## Tornado™ Hopper Spreader

### Parts List

This Parts List is for WESTERN® Tornado Hopper Spreaders with serial numbers beginning with 0905 and higher.

# Tornado™ HOPPER SPREADER

## HOPPER COMPONENTS

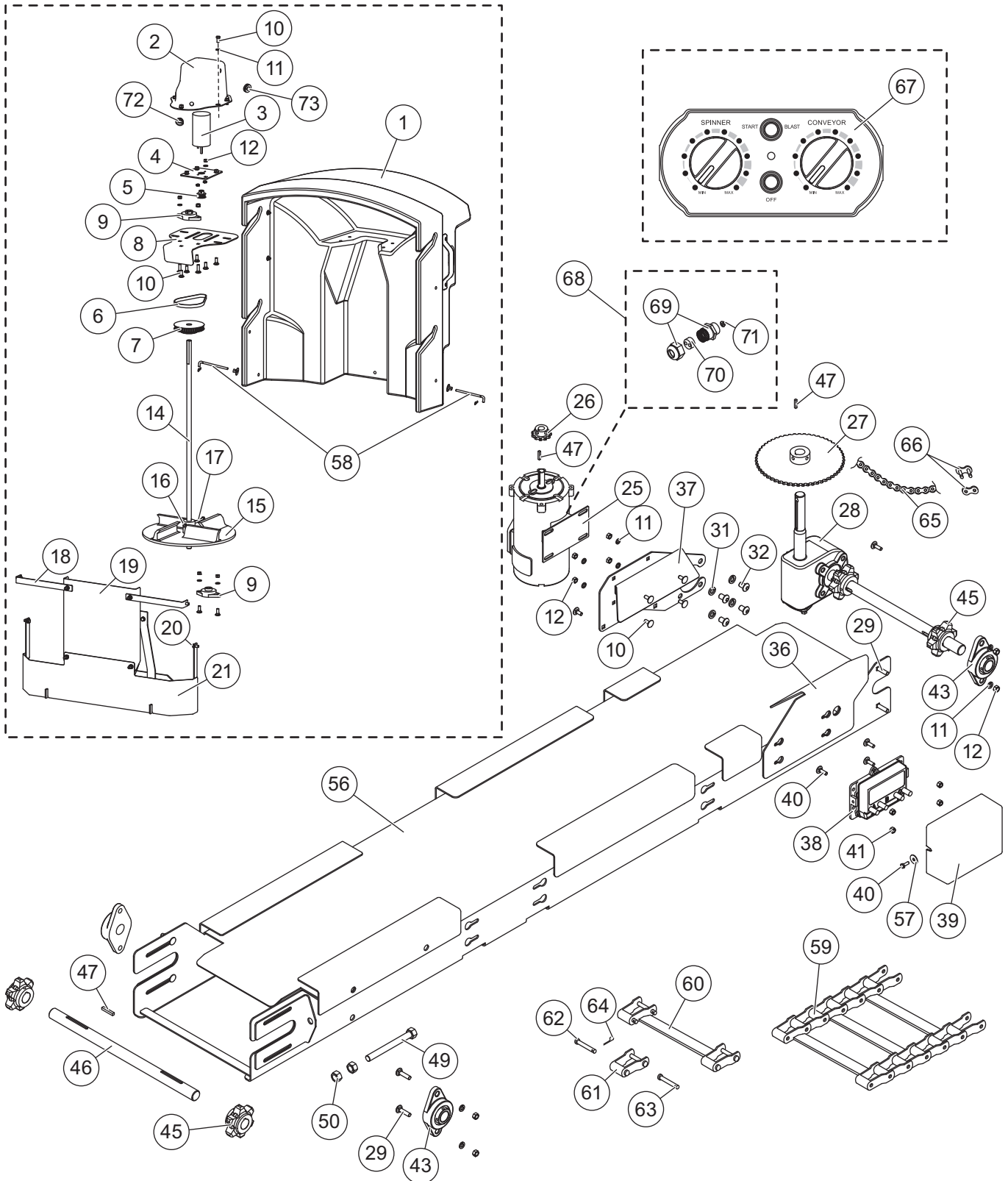


# Tornado™ HOPPER SPREADER

Hopper Components							
Item	Part	Qty	Description	Item	Part	Qty	Description
1	78018	1	Poly Hopper Lid Left 7' (DS)	15	78119	3	Hopper Mounting Bracket Right
	78019	1	Poly Hopper Lid Left 8' (DS)	ns	78133	3	Hopper Mounting Bracket Left
ns	78020	1	Poly Hopper Lid Right 7' (PS)	16	78203	4	1/2-13 x 7-1/2 Hex Cap Screw SS
	78021	1	Poly Hopper Lid Right 8' (PS)	17	68109	4	1/2 Flat Washer SS
2	78009	1	Poly Hopper Body 7'	18	95834	4	1/2-13 Hex Locknut SS
	78012	1	Poly Hopper Body 8'	ns	90375	8	3/8-16 x 1 Carriage Bolt SS
3	78112	1	Poly Hopper 8' w/Collar	ns	91282	8	3/8 Lock Washer SS
4	78115	1	Top Screen, 7' (Painted)	ns	91431	8	3/8-16 Hex Nut SS
	78116	1	Top Screen, 8' (Painted)	22	78048	1	CHMSL Kit (w/Fasteners)
5	78117	2	Top Screen Brace with Label (67272) Poly Hopper	23	78083	2	Feed Gate Guide (1) w/Fasteners Kit (Incl. 94495 [2], 78047, 91350 [2])
6	67272	2	Label – Information (Caution)	24	78094	1	Feed Gate Handle Kit (Incl. Item 17, 78029, 90601 [2])
7	96038	4	Wing Bolt	25	78098	1	Feed Gate Detent Bracket (Incl. 78028 w/Fasteners)
8	93010	6	Linchpin	ns	66438	4	3/8-16 x 1-1/2 Hex Cap Screw
9	78097	6	Washer 2.5 OD X 1.53 ID SS	27	78109	2	Mounting Bar (Incl. Items 17 [2], 18 [2], 78056, 90380 [2])
10	65224	3	Strap, Rubber Hold Down Assembly	ns	78096	6	3/8 x 2 Lag Bolt (2.5 cu yd Unit Only)
ns	61246	1	Cable Boot	29	78191	2	Lid Handle Kit
ns	8289	1	Boot Bracket	30	78177	1	Sprocket Shield Kit
ns	96375	1	3/8 x 1 Sheet Metal Screw				
14	78118	1	Feed Gate Assembly Kit Poly Hopper (Incl. 78093, 90601)				
ns = not shown		SS = Stainless Steel			G = Grade		

# Tornado™ HOPPER SPREADER

## DRIVE COMPONENTS



# Tornado™ HOPPER SPREADER

Drive Components							
Item	Part	Qty	Description	Item	Part	Qty	Description
1	78022	1	Chute Cover	45	65909	4	Drive Sprocket Machining 6T
2	78099	1	Chute Motor Cover	46	94351	1	Idler Shaft
3	P3035	1	Motor 12V DC 1/3 HP	47	65174	6	Machine Key 0.250 sq x 1.500 lg
4	78125	1	Chute Motor Mounting Plate Kit (Incl. Items 10 [4], 11 [4], 12 [4], 68511 [2], 78068)	49	65609	2	5/8-11 x 6 Take-Up Bolt SS
5	78106	1	10-Tooth Cogged Belt Pulley	50	91435	4	5/8-11 Hex Nut
6	M1355	1	Gear Belt	56	78192	1	Sill, 7'
7	78066	1	40-Tooth Cogged Belt Pulley 3/4 Bore	78193	2	Sill, 8'	
8	78126	1	Chute Motor Base Plate Kit (Incl. Items 11 [4], 20 [4], 78065)	57	67155	2	5/16 Flat Washer SS
9	96167	2	Pillow Block Bearing 3/4 Bore	58	78031	1	Chute Attachment Pin Bag
10	90375	28	3/8-16 x 1 Carriage Bolt SS	59	78076	1	Pintle Chain, 99 Links
11	91282	39	3/8 Lock Washer SS	94898	1	Pintle Chain, 108 Links	
12	91431	34	3/8-16 Hex Nut SS	60	68492	AR	Conveyor Repair Bar w/Pins
14	78067	1	Spinner Shaft	61	68475	AR	Conveyor Repair Link w/Pins
15	94424	1	Spinner Poly	62	65186	AR	Conveyor Chain Pin, Teardrop Shoulder w/Cotter
16	91430	1	5/16-18 Hex Nut SS	63	68459	AR	Conveyor Chain Pin, Stepped
17	94495	1	5/16-18 x 2-1/4 Hex Cap Screw SS	64	91897	AR	3/32 x 1/2 Cotter Pin
18	78128	2	Deflector Bracket	65	78075	1	#40 Chain with Master Link
19	78129	1	Deflector	66	95894	AR	#40 Chain Master Link
20	90376	5	3/8-16 x 3/4 Hex Cap Screw SS	67	78102	1	Cab Control
21	78130	1	Spinner Guard (Incl. 78058)	68	78201	1	Seal Kit
25	95755-1	1	Motor 1/2 HC 12V DC	69	78166	1	Strain Relief Liquid Tight
26	95777	1	Sprocket, #40 x 11T x 5/8	70	78173	1	Silicone Bushing
27	78057	1	Sprocket, #40 x 55T x 1	71	78190	1	3/4 Locknut SS
28	95567	1	Gear Case 20:1	72	78107	1	Cap Plug for Motor Cover
29	68345	10	3/8-16 x 1-1/2 Carriage Bolt SS	73	66130	1	Grommet
31	91284	4	1/2 Lock Washer Spring SS	ns	78199	1	CHMSL Harness Kit
32	68360	4	1/2-13 x 3/4 Button Cap Screw	ns	29217	1	Vehicle Power Cable
36	78131	1	Chain Guard DS Rear	ns	28585	1	Spreader Power Cable
37	78132	1	Chain Guard PS Rear	ns	29221	1	Vehicle-Side Control Harness
38	78178	1	Control Module – Dual Motor	ns	78103	1	Wiring – Module to Motor
39	78108	1	Module Cover	ns	78104	1	Wiring – Module to Spinner Connector
40	90556	4	5/16-18 x 1 Carriage Bolt	ns	78105	1	Wiring – Spinner Connector to Spinner Motor
41	91350	4	5/16-18 Hex Locknut GB SS	ns	95836	1	Fuse, 100 Amp
43	94536	3	Bearing, Flange 2 Bolt 1.125	ns	95837	1	Fuse Holder
				ns	22511	1	22" Battery Cable
Accessories							
ns	78197	1	License Plate Light Kit	ns	78195	1	Vibrator Kit
ns	78198	1	Work Light Kit	ns	78196	1	Truck Mounting Kit
ns	78120	1	Inverted Vee Kit 8' Models	ns	78150	1	Inverted Vee Kit 7' Models
ns	78204	1	Vehicle-Side Harness Kit				
ns = not shown		SS = Stainless Steel		AR = As Required		G = Grade	

# Tornado™ HOPPER SPREADER

---

Copyright © 2009 Douglas Dynamics, L.L.C. All rights reserved. This material may not be reproduced or copied, in whole or in part, in any printed, mechanical, electronic, film or other distribution and storage media, without the written consent of Western Products. Authorization to photocopy items for internal or personal use by Western Products outlets or spreader owner is granted.

Western Products reserves the right under its product improvement policy to change construction or design details and furnish equipment when so altered without reference to illustrations or specifications used. Western Products or the vehicle manufacturer may require or recommend optional equipment for spreaders. Do not exceed vehicle ratings with a spreader. Western Products offers a limited warranty for all spreaders and accessories. See separately printed page for this important information. The following are registered (®) or unregistered (™) trademarks of Douglas Dynamics, L.L.C.: Tornado™, WESTERN®.

**Printed in U.S.A.**

---