



UltraMount
A DIVISION OF DOUGLAS DYNAMICS, L.L.C.

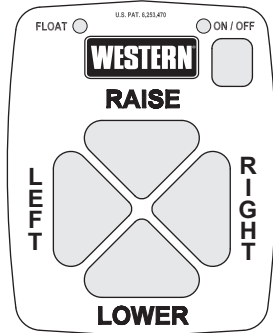
Western Products
PO Box 245038
Milwaukee, WI 53224-9538
www.westernplows.com

56462 & 56369

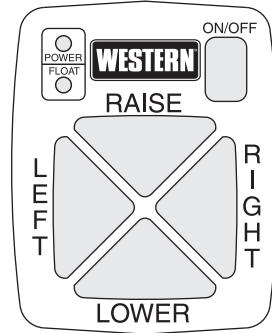
CabCommand HAND-HELD & JOYSTICK CONTROLS

Parts List

PARTS LIST

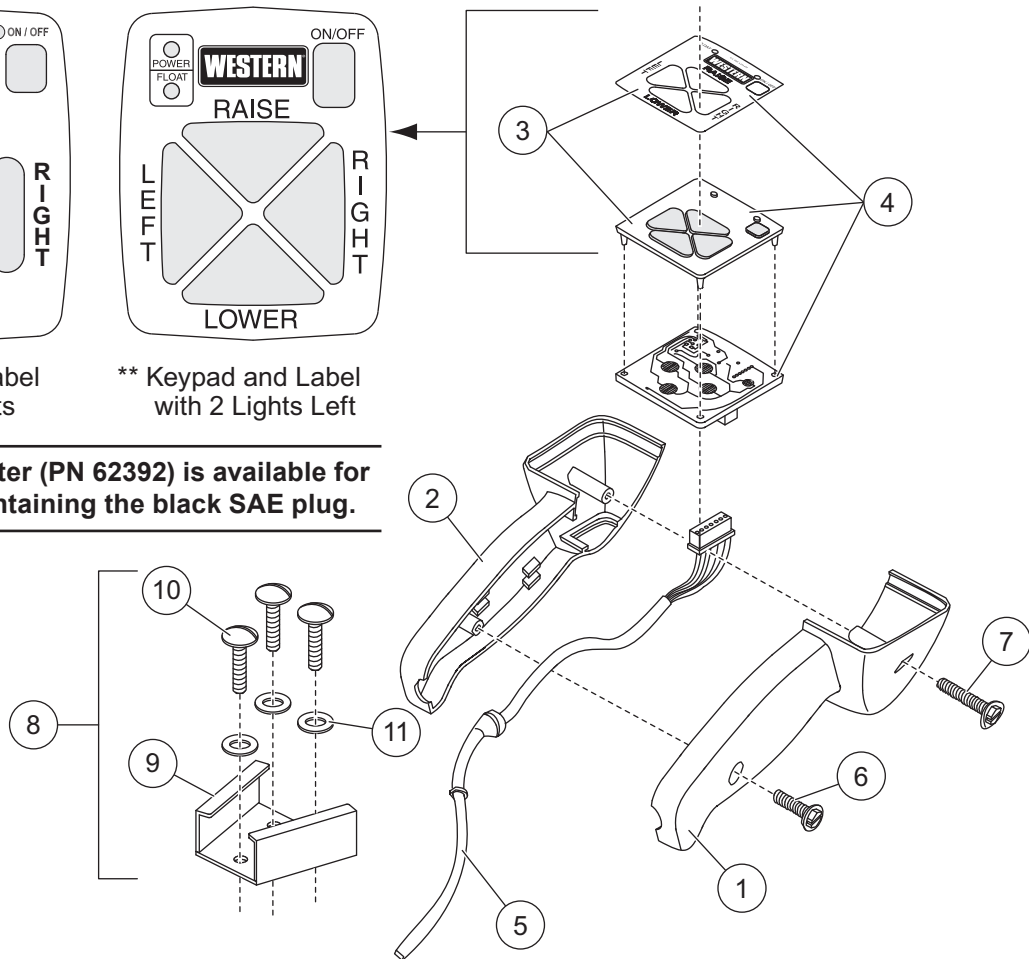


* Keypad and Label with Split Lights



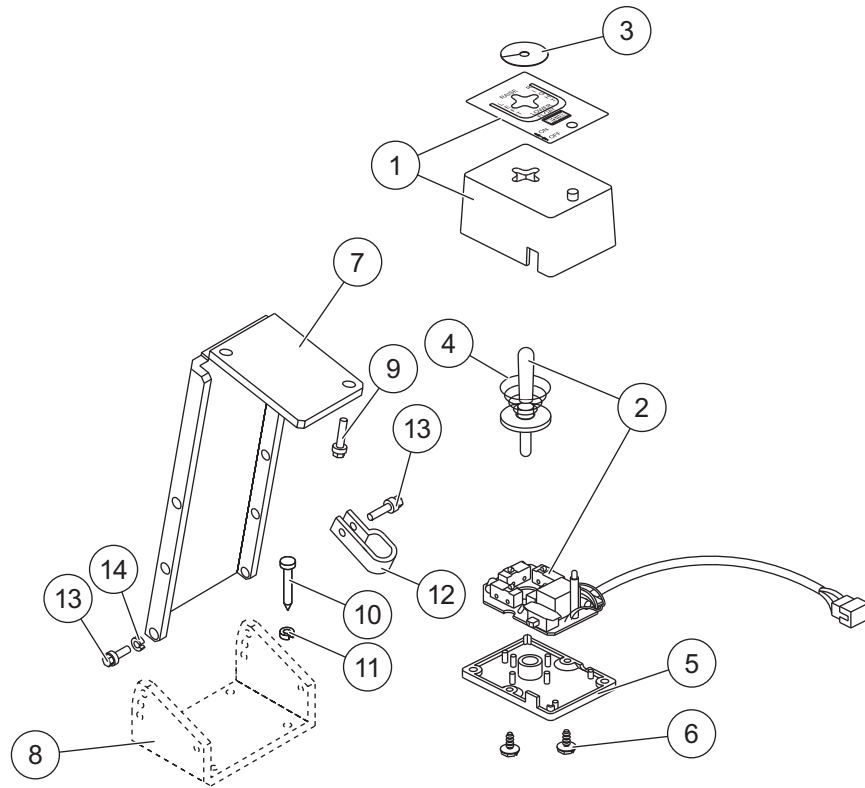
** Keypad and Label with 2 Lights Left

NOTE: An adapter (PN 62392) is available for the harness containing the black SAE plug.



| 56462 CabCommand Hand-Held Control | | | | | | | |
|---|-------|-----|--|------|-------|-----|---|
| Item | Part | Qty | Description | Item | Part | Qty | Description |
| 1 | 96456 | 1 | Control Body – Right | 5 | 96437 | 1 | Harness, Straight Blade 6-Pin White Connector |
| 2 | 96457 | 1 | Control Body – Left | 6 | 93173 | 1 | 8-18 x 3/4 Tapping Screw |
| 3 | 96442 | 1 | Keypad w/Label (Split Lights)* | 7 | 93174 | 1 | 8-18 x 1-1/4 Tapping Screw |
| | 56450 | 1 | Keypad w/Label (2 Lights Left)** | 8 | 64312 | 1 | Parts Bag, Control Bracket |
| 4 | 56472 | 1 | PCB Assembly w/Keypad & Label | | | | |
| 64312 Parts Bag, Control Bracket | | | | | | | |
| 9 | 56436 | 1 | Control Bracket | 11 | 91230 | 3 | 6 Spring Lock Washer |
| 10 | 80135 | 3 | 6-32 x 1 Tapping Screw | | | | |
| Parts Not Included in Kit – Sold Separately | | | | | | | |
| ns | 80168 | 1 | SFE-6 Fuse (5-Pack) | ns | 56468 | 1 | SFE-6 Long Spring, Black Holder |
| ns | 56469 | 1 | SFE-6 Short Spring, White/Black Holder | ns | 56423 | 1 | Label – SFE-6 Fuse |

ns = not shown



NOTE: An adapter (PN 62392) is available for the harness containing the black SAE plug.

| 56369 Solenoid Control (Style 2) | | | | | | | |
|----------------------------------|-------|-----|--|------|-------|-----|--------------------------|
| Item | Part | Qty | Description | Item | Part | Qty | Description |
| 1 | 49286 | 1 | Body w/Label & Lens | 5 | 56199 | 1 | Base |
| 2 | 49283 | 1 | PC Board & Lever Assembly Molex (Style 2) White | 6 | 93153 | 2 | 6-19 x 3/8 Tapping Screw |
| 3 | 56283 | 1 | Shield | 7 | 56308 | 1 | Control Bracket |
| 4 | 55923 | 1 | Spring – Conical | 8 | 56080 | 1 | Dash Bracket |
| | | | | ns | 56631 | 1 | Parts Bag |
| 56631 Parts Bag | | | | | | | |
| 9 | 93154 | 2 | 8-18 x 5/8 Tapping Screw | 12 | 55381 | 1 | Cable Clamp |
| 10 | 90388 | 4 | 10-16 x 1 Tapping Screw | 13 | 93157 | 5 | 8-32 x 3/8 Tapping Screw |
| 11 | 91242 | 4 | 10 Spring Lock Washer | 14 | 91231 | 4 | 8 Spring Lock Washer |
| ns = not shown | | | | | | | |

Copyright © 2009 Douglas Dynamics, L.L.C. All rights reserved. This material may not be reproduced or copied, in whole or in part, in any printed, mechanical, electronic, film or other distribution and storage media, without the written consent of Western Products. Authorization to photocopy items for internal or personal use by Western Products outlets or snowplow owner is granted.

Western Products reserves the right under its product improvement policy to change construction or design details and furnish equipment when so altered without reference to illustrations or specifications used. Western Products or the vehicle manufacturer may require or recommend optional equipment for snow removal. Do not exceed vehicle ratings with a snowplow. Western Products offers a limited warranty for all snowplows and accessories. See separately printed page for this important information. The following are registered (®) trademarks of Douglas Dynamics, L.L.C.: UltraMount®, WESTERN®.

Printed in U.S.A.