

63883-2

MOUNT KIT

Dodge Ram 2500/3500

2003 - 09

Installation Instructions

⚠ CAUTION

Read this document before installing the snowplow.

⚠ CAUTION

See your sales outlet/website for specific vehicle application recommendations before installation. The online selection system has specific vehicle and snowplow requirements.

SAFETY DEFINITIONS

⚠ WARNING
 Indicates a potentially hazardous situation that, if not avoided, could result in death or serious personal injury.

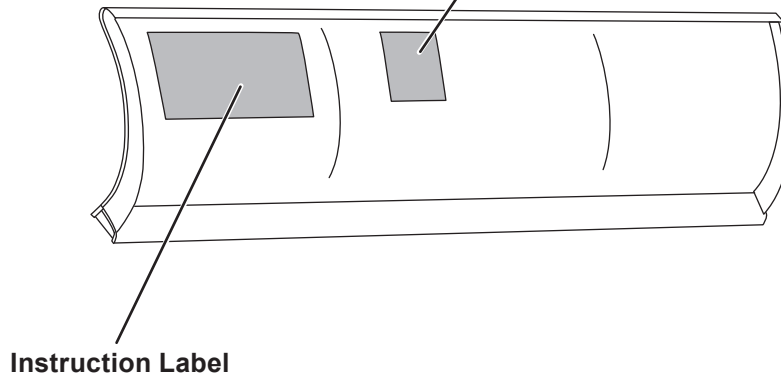
⚠ CAUTION
 Indicates a potentially hazardous situation that, if not avoided, may result in minor or moderate injury. It may also be used to alert against unsafe practices.

NOTE: Indicates a situation or action that can lead to damage to your snowplow and vehicle or other property. Other useful information can also be described.







WARNING/CAUTION AND INSTRUCTION LABELS

Become familiar with and inform users about the warning/caution and instruction labels on the back of the blade.

NOTE: If labels are missing or cannot be read, see your sales outlet.



Warning/Caution Label

| | |
|--|---|
| ⚠ WARNING | |
|  | Lower blade when vehicle is parked. |
|  | Do not exceed GVWR or GAWR including blade and ballast. |
| ⚠ CAUTION | |
|  | Read Owner's Manual before operating or servicing snowplow. |
|  | Transport speed should not exceed 45 mph (72 km/h). Further reduce speed under adverse travel conditions. |
|  | Plowing speed should not exceed 10 mph (16 km/h). |
|  | See your sales outlet/Web site for specific vehicle application recommendations. |

SAFETY PRECAUTIONS

Improper installation and operation could cause personal injury and/or equipment and property damage. Read and understand labels and the Owner's Manual before installing, operating, or making adjustments.

⚠ WARNING

Lower the blade when vehicle is parked. Temperature changes could change hydraulic pressure, causing the blade to drop unexpectedly or damaging hydraulic components. Failure to do this could result in serious personal injury.

⚠ WARNING

The driver shall keep bystanders clear of the blade when it is being raised, lowered, or angled. Do not stand between the vehicle and the blade or within 8 feet of a moving blade. A moving or falling blade could cause personal injury.

⚠ WARNING

Keep hands and feet clear of the blade and A-frame when mounting or removing the snowplow. Moving or falling assemblies could cause personal injury.

⚠ WARNING

Do not exceed GVWR or GAWR including the blade and ballast. The rating label is found on the driver-side vehicle door cornerpost.

⚠ WARNING

To prevent accidental movement of the blade, always turn the control OFF whenever the snowplow is not in use. The power indicator light will turn OFF.

⚠ WARNING

Remove blade assembly before placing vehicle on hoist.

⚠ CAUTION

Refer to the online selection system for minimum vehicle recommendations and ballast requirements.

PERSONAL SAFETY

- Remove ignition key and put the vehicle in park or in gear to prevent others from starting the vehicle during installation or service.
- Wear only snug-fitting clothing while working on your vehicle or snowplow.
- Do not wear jewelry or a necktie, and secure long hair.
- Wear safety goggles to protect your eyes from battery acid, gasoline, dirt, and dust.
- Avoid touching hot surfaces such as the engine, radiator, hoses, and exhaust pipes.
- Always have a fire extinguisher rated BC handy, for flammable liquids and electrical fires.

FIRE AND EXPLOSION

⚠ WARNING

Gasoline is highly flammable and gasoline vapor is explosive. Never smoke while working on vehicle. Keep all open flames away from gasoline tank and lines. Wipe up any spilled gasoline immediately.

Be careful when using gasoline. Do not use gasoline to clean parts. Store only in approved containers away from sources of heat or flame.

CELL PHONES

A driver's first responsibility is the safe operation of the vehicle. The most important thing you can do to prevent a crash is to avoid distractions and pay attention to the road. Wait until it is safe to operate Mobile Communication Equipment such as cell phones, text messaging devices, pagers, or two-way radios.

VENTILATION

⚠ WARNING

Vehicle exhaust contains lethal fumes. Breathing these fumes, even in low concentrations, can cause death. Never operate a vehicle in an enclosed area without venting exhaust to the outside.

NOISE

Airborne noise emission during use is below 70 dB(A) for the snowplow operator.





VIBRATION





Operating snowplow vibration does not exceed 2.5 m/s² to the hand-arm or 0.5 m/s² to the whole body.

TORQUE CHART

⚠ CAUTION

Read instructions before assembling. Fasteners should be finger tight until instructed to tighten according to the torque chart. Use standard methods and practices when attaching snowplow, including proper personal protective safety equipment.

| Recommended Fastener Torque Chart | | | | | |
|---|---|---|---------|---|---|
| Inch Fasteners Grade 5 and Grade 8 | | | | | |
| Size | Torque (ft-lb) | | Size | Torque (ft-lb) | |
| |  Grade 5 |  Grade 8 | |  Grade 5 |  Grade 8 |
| 1/4-20 | 8.4 | 11.9 | 9/16-12 | 109 | 154 |
| 1/4-28 | 9.7 | 13.7 | 9/16-18 | 121 | 171 |
| 5/16-18 | 17.4 | 24.6 | 5/8-11 | 150 | 212 |
| 5/16-24 | 19.2 | 27.3 | 5/8-18 | 170 | 240 |
| 3/8-16 | 30.8 | 43.6 | 3/4-10 | 269 | 376 |
| 3/8-24 | 35.0 | 49.4 | 3/4-16 | 297 | 420 |
| 7/16-14 | 49.4 | 69.8 | 7/8-9 | 429 | 606 |
| 7/16-20 | 55.2 | 77.9 | 7/8-14 | 474 | 669 |
| 1/2-13 | 75.3 | 106.4 | 1-8 | 644 | 909 |
| 1/2-20 | 85.0 | 120.0 | 1-12 | 704 | 995 |

| Metric Fasteners Class 8.8 and 10.9 | | | | | |
|--|---|--|------------|---|--|
| Size | Torque (ft-lb) | | Size | Torque (ft-lb) | |
| |  Class 8.8 |  Class 10.9 | |  Class 8.8 |  Class 10.9 |
| M6 x 1.00 | 7.7 | 11.1 | M20 x 2.50 | 325 | 450 |
| M8 x 1.25 | 19.5 | 26.9 | M22 x 2.50 | 428 | 613 |
| M10 x 1.50 | 38.5 | 53.3 | M24 x 3.00 | 562 | 778 |
| M12 x 1.75 | 67 | 93 | M27 x 3.00 | 796 | 1139 |
| M14 x 2.00 | 107 | 148 | M30 x 3.50 | 1117 | 1545 |
| M16 x 2.00 | 167 | 231 | M33 x 3.50 | 1468 | 2101 |
| M18 x 2.50 | 222 | 318 | M36 x 4.00 | 1952 | 2701 |

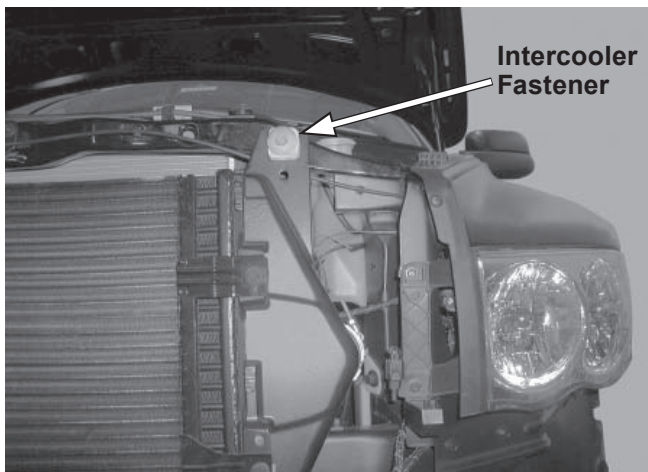
These torque values apply to fasteners except those noted in the instructions.

INSTALLATION INSTRUCTIONS

NOTE: For easier assembly and installation, vehicle and all snowplow components should be on a smooth, level, hard surface, such as concrete.

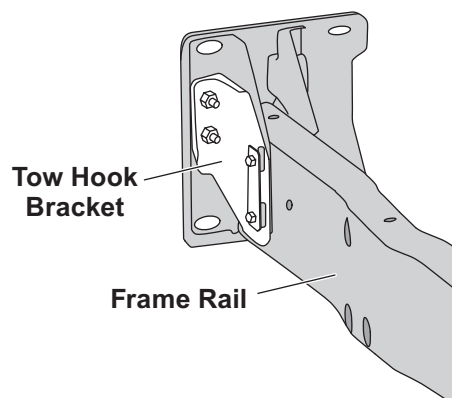
1. Remove the bumper from the bumper brackets. Retain the fasteners.
2. Remove the bumper brackets from the frame.

Diesel and V10 applications: On these applications you must first remove the top two intercooler fasteners. Then push intercooler up and out to provide clearance for removing the bumper bracket bolt assembly.

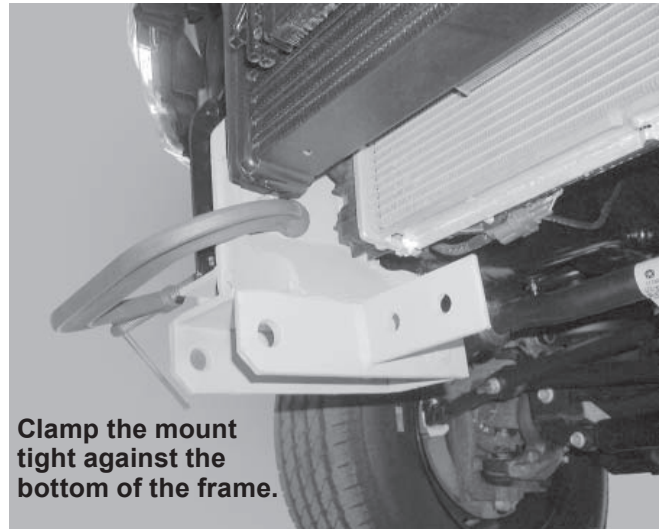


Retain the fasteners.

Vehicles equipped with tow hooks will need the tow hooks and tow hook brackets removed. These cannot be reinstalled with the snowplow mount. Retain the tow hooks, brackets, and fasteners for reinstallation if the mount is removed.



3. Install the mount by holding the front portion of the mount in place and securing with the previously removed bumper bracket bolt assembly. Clamp the rear portion of the mount into position on the truck frame, making sure the mount is tight against the bottom of the frame.



⚠ CAUTION

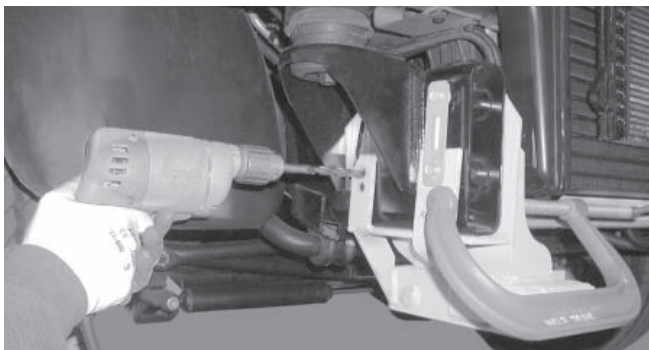
Before drilling any holes, check both sides of the material for any wires, fuel lines, fuel tanks, etc., that may be damaged by drilling.

- Use the three holes in the mount as guides to drill three 17/32" diameter holes: one through the bottom, one through the inner wall, and one through the outer wall of the truck frame (using the lower hole in the tab as a guide).

Diesel and V10 applications: On these applications, use the outer top rear hole in the mount as a guide to drill from the outside of the frame through the inside of the frame.

Pull up and forward on the bottom tab of the frame spacer, allowing enough room to install the cap screws with handles. Insert three 1/2" x 1-1/2" cap screws with handles and two 1/2" hardened flat washers past the opening in the front frame spacer and into the truck frame. (Do not put a washer on the fastener that goes through the bottom of the frame.) Fasten with three 1/2" locknuts. Hand tighten the fasteners. Bend or cut off the handles on the cap screws to prevent contact with the bumper bracket.

Place the frame spacer back into its original position.

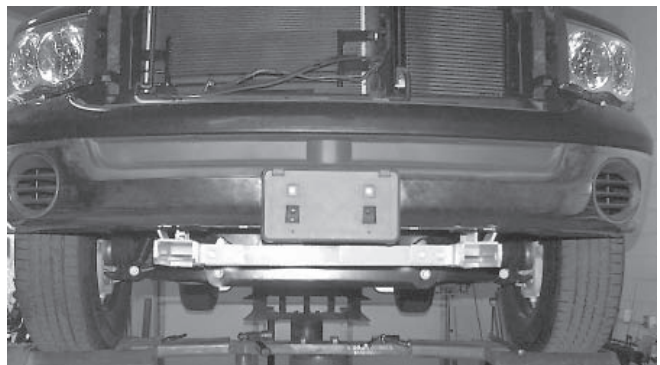


- Install the other mount as described in Steps 1–4.

- Install the cross bar using four 1/2" x 1-1/2" cap screws and 1/2" locknuts. Hand tighten the fasteners.

Measure the distance between the U-brackets. The distance should be 30-7/16" ± 1/8" from center to center. Take a second measurement farther back on the mount to ensure that the brackets are parallel.

- Remove or notch the air dam to allow sufficient clearance for the mounts and mounting of the blade assembly.



- Remove the bolt assembly from the front of the mount. Reattach the bumper brackets using the bolt assembly, being sure to install assembly from the inside of the frame. Verify that the bumper brackets are between the frame and the mount tabs.
- Reattach the bumper to bumper brackets using the existing hardware.
- Tighten all fasteners according to the torque chart.

NOTE: After five to ten hours of snowplow usage, retorque all mount assembly fasteners.

The company reserves the right under its product improvement policy to change construction or design details and furnish equipment when so altered without reference to illustrations or specifications used. This equipment manufacturer or the vehicle manufacturer may require or recommend optional equipment for snow removal. Do not exceed vehicle ratings with a snowplow. The company offers a limited warranty for all snowplows and accessories. See separately printed page for this important information.

Printed in U.S.A.