



33559

MOUNT KIT

Chevy/GMC C4500/5500 4X4

2005 - 09

Installation Instructions

⚠ CAUTION

Read this document before installing the snowplow.

⚠ CAUTION

See your WESTERN® outlet/Web site for specific vehicle application recommendations before installation. The Selection List has specific vehicle and snowplow requirements.

SAFETY

SAFETY DEFINITIONS

⚠ WARNING

Indicates a potentially hazardous situation that, if not avoided, could result in death or serious personal injury.

⚠ CAUTION

Indicates a potentially hazardous situation that, if not avoided, may result in minor or moderate injury. It may also be used to alert against unsafe practices.

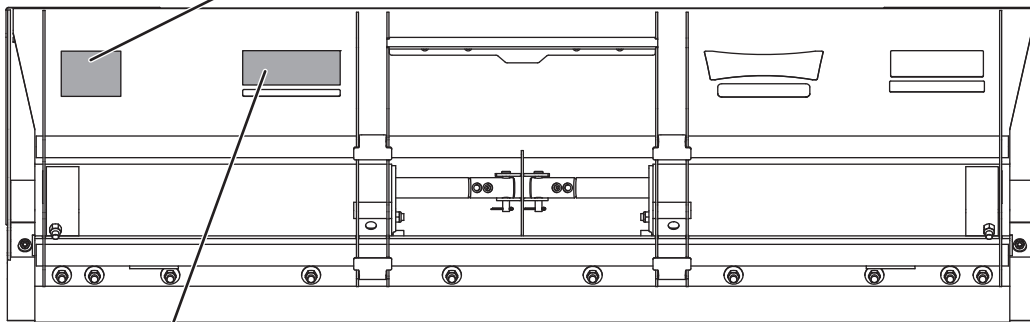
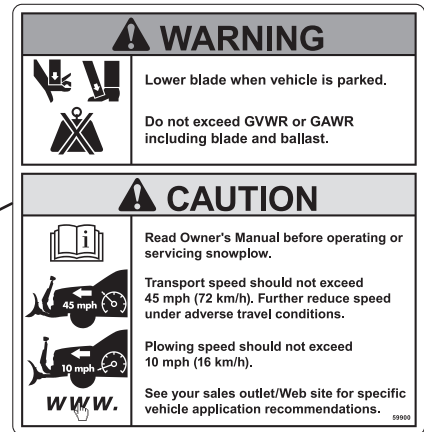
NOTE: Indicates a situation or action that can lead to damage to your snowplow and vehicle or other property. Other useful information can also be described.

WARNING/CAUTION & INSTRUCTION LABELS

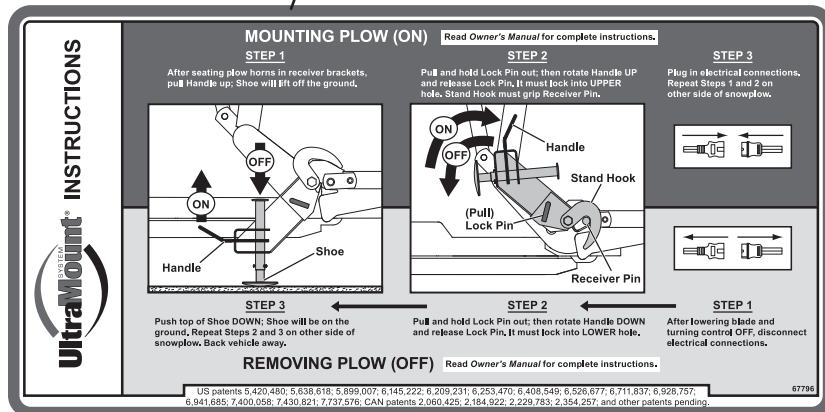
Become familiar with and inform users about the warning/caution and instructions labels on the back of the blade.

NOTE: If labels are missing or cannot be read, see your sales outlet.

Warning/ Caution Label



Instruction Label



Multiple Pinch Points Label



WIDE-OUT™ Blades Only (both sides)

SAFETY

SAFETY PRECAUTIONS

Improper installation and operation could cause personal injury and/or equipment and property damage. Read and understand labels and the Owner's Manual before installing, operating or making adjustments.

⚠ WARNING

Lower the blade when the vehicle is parked. Temperature changes could change hydraulic pressure, causing the blade to drop unexpectedly or damaging hydraulic components. Failure to do this could result in serious personal injury.

⚠ WARNING

The driver shall keep bystanders clear of the blade when it is being raised, lowered or angled. Do not stand between the vehicle and the blade or within 8 feet of a moving blade. A moving or falling blade could cause personal injury.

⚠ WARNING

Keep hands and feet clear of the blade and A-frame when mounting or removing the snowplow. Moving or falling assemblies could cause personal injury.

⚠ WARNING

Do not exceed GVWR or GAWR including the blade and ballast. The rating label is found on the driver-side vehicle door cornerpost.

⚠ WARNING

To prevent accidental movement of the blade, always turn the control OFF whenever the snowplow is not in use. The power indicator light will turn OFF.

⚠ WARNING

Remove blade assembly before placing vehicle on hoist.

⚠ CAUTION

Refer to the Selection List for minimum vehicle recommendations and ballast requirements.

PERSONAL SAFETY

- Remove ignition key and put the vehicle in park or in gear to prevent others from starting the vehicle during installation or service.
- Wear only snug-fitting clothing while working on your vehicle or snowplow.
- Do not wear jewelry or a necktie, and secure long hair.
- Wear safety goggles to protect your eyes from battery acid, gasoline, dirt and dust.
- Avoid touching hot surfaces such as the engine, radiator, hoses and exhaust pipes.
- Always have a fire extinguisher rated BC handy, for flammable liquids and electrical fires.

FIRE AND EXPLOSION

⚠ WARNING

Gasoline is highly flammable and gasoline vapor is explosive. Never smoke while working on vehicle. Keep all open flames away from gasoline tanks and lines. Wipe up any spilled gasoline immediately.

Be careful when using gasoline. Do not use gasoline to clean parts. Store only in approved containers away from sources of heat or flame.

CELL PHONES

A driver's first responsibility is the safe operation of the vehicle. The most important thing you can do to prevent a crash is to avoid distractions and pay attention to the road. Wait until it is safe to operate Mobile Communication Equipment such as cell phones, text messaging devices, pagers or two-way radios.

VENTILATION

⚠ WARNING

Vehicle exhaust contains lethal fumes. Breathing these fumes, even in low concentrations, can cause death. Never operate a vehicle in an enclosed area without venting exhaust to the outside.

SAFETY

NOISE

Airborne noise emission during use is below 70 dB(A) for the snowplow operator.




VIBRATION

Operating snowplow vibration does not exceed 2.5 m/s² to the hand-arm or 0.5 m/s² to the whole body.

TORQUE CHART

CAUTION

Read instructions before assembling. Fasteners should be finger tight until instructed to tighten according to the torque chart. Use standard methods and practices when attaching snowplow, including proper personal protective safety equipment.

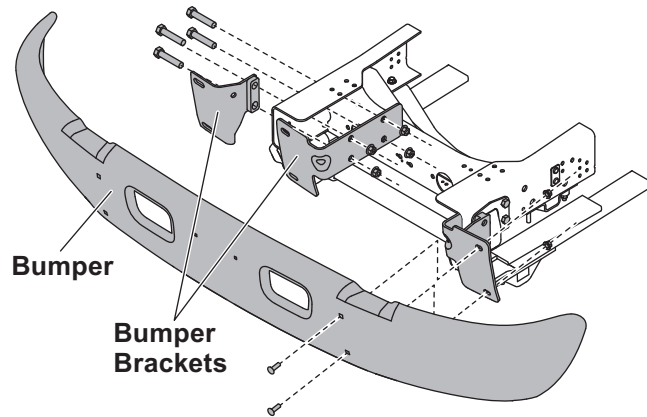
Recommended Fastener Torque Chart (ft-lb)			
Size	Torque		
	 SAE Grade 2	 SAE Grade 5	 SAE Grade 8
1/4-20	6	9	13
5/16-18	11	18	28
3/8-16	19	31	46
3/8-24	24	46	68
7/16-14	30	50	75
1/2-13	45	75	115
9/16-12	66	110	165
5/8-11	93	150	225
3/4-10	150	250	370
7/8-9	150	378	591
1-8	220	583	893
Metric Grade 8.8 (ft-lb)			
Size	Torque	Size	Torque
M 6	7	M 12	60
M 8	17	M 14	95
M 10	35	M 16	155
These torque values apply to fasteners except those noted in the instruction.			

MOUNT INSTALLATION

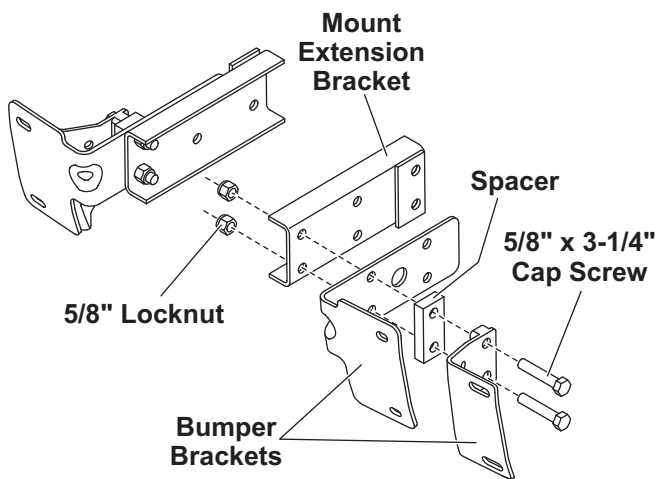
INSTALLATION INSTRUCTIONS

NOTE: For easier assembly and installation, vehicle and all snowplow components should be on a smooth, level, hard surface, such as concrete.

1. Remove the bumper from the bumper brackets. Retain bumper and fasteners.

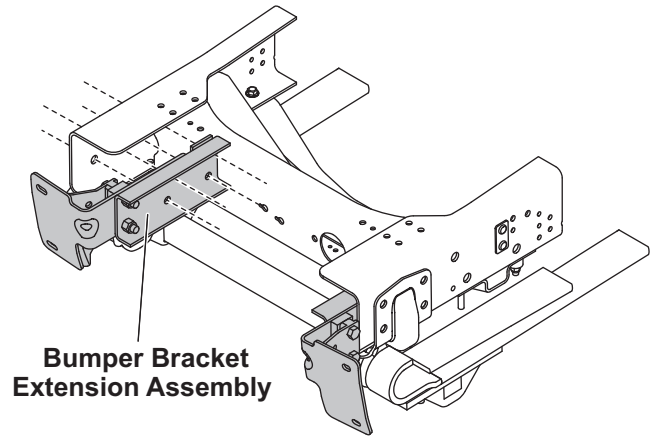


2. Remove the bumper brackets from the frame. If applicable, remove tow hooks. The tow hooks cannot be used with the mounts installed. Retain the tow hooks and fasteners for reinstallation if the snowplow is removed.

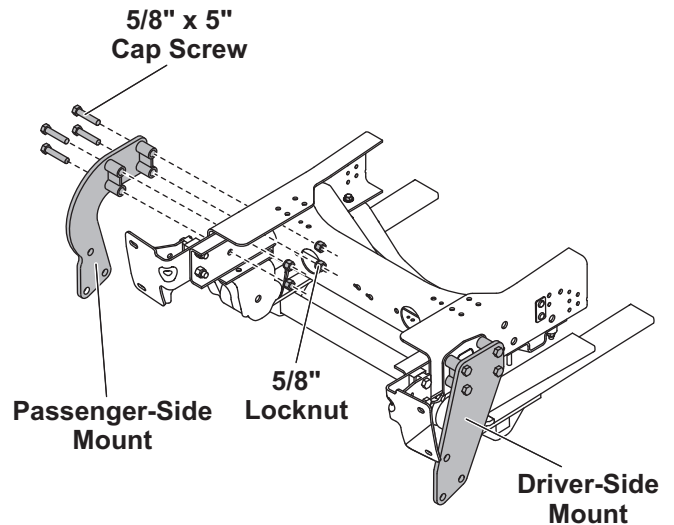


3. Attach the bumper brackets, with a spacer between them, to the mount extension bracket using 5/8" x 3-1/4" cap screws and 5/8" locknuts. Hand tighten.

4. Align the bumper bracket extension assemblies with the frame as shown.

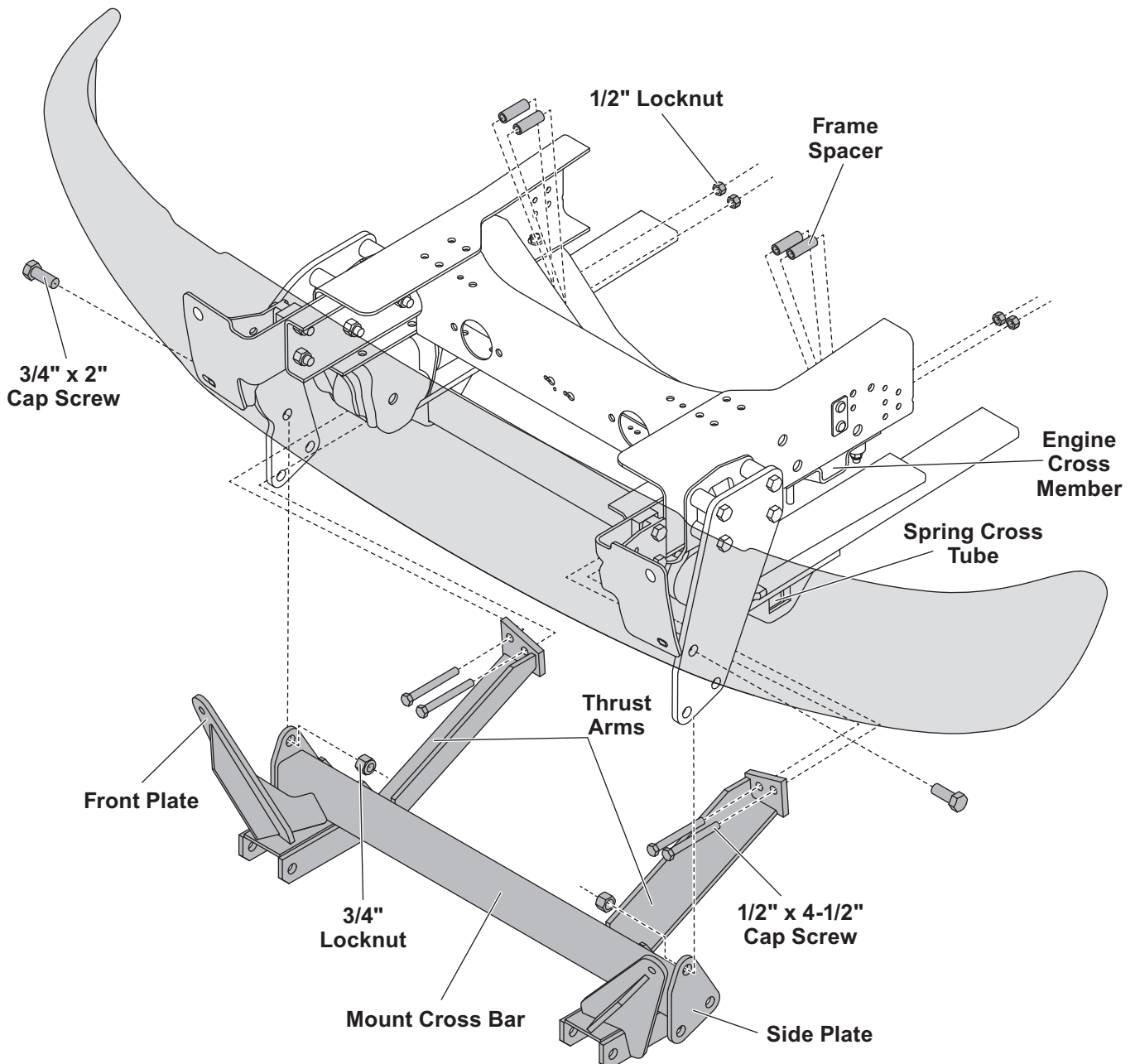


5. Install the driver-side mount by inserting four 5/8" x 5" cap screws through the mount, vehicle frame and bumper bracket extension assembly. Attach a 5/8" locknut to each cap screw and hand tighten. Repeat for the passenger's side.



MOUNT INSTALLATION

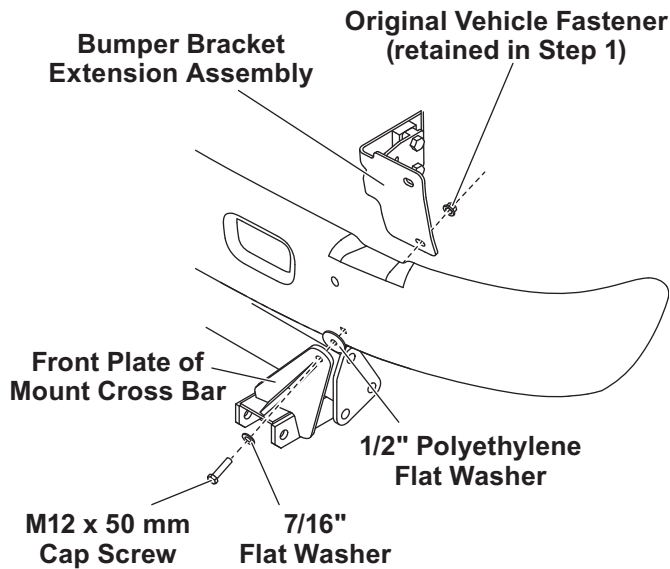
- Using the fasteners retained in Step 1, loosely attach the bumper to the bumper brackets by the top holes only.
- Rest the thrust arms of the mount cross bar on the spring cross tube. Lift the front of the cross bar so that the holes in the side plates of the mount cross bar line up with the three holes in each mount. Insert a $3/4"$ x $2"$ cap screw into the top hole on each side to attach the cross bar to the mounts. Place a $3/4"$ locknut on each cap screw and hand tighten.
- Align the holes in the thrust arms with the holes in the engine cross member. Drop a frame spacer into the engine cross member from above, then insert a $1/2"$ x $4-1/2"$ cap screw into a hole in one of the thrust arms, feeding it through the engine cross member and the frame spacer. Place a $1/2"$ locknut onto the cap screw and hand tighten. Repeat for the other three holes in the thrust arms.



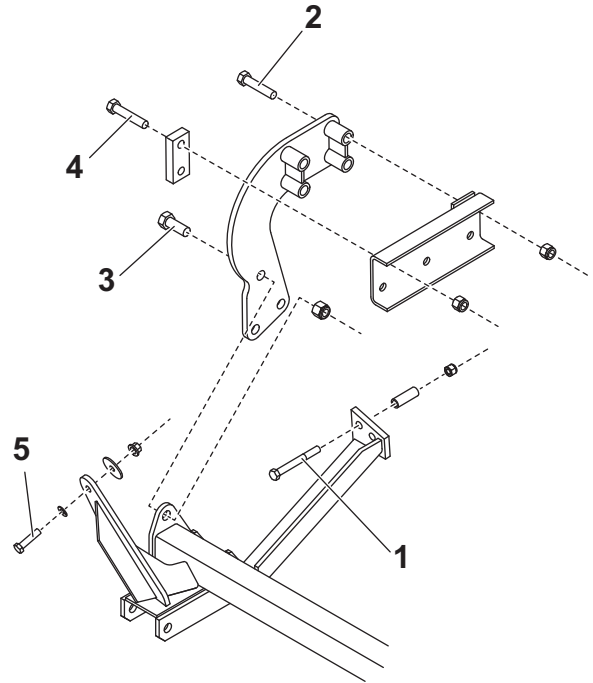
MOUNT INSTALLATION

9. Finish attaching the mount cross bar to the mounts using the remaining four 3/4" x 2" cap screws and 3/4" locknuts. Hand tighten.

10. To finish attaching the bumper, place a 7/16" flat washer on each M12 x 50 mm cap screw. Insert one of the cap screws into the front plate of the mount cross bar. Slide a 1/2" polyethylene flat washer between the front plate and the bumper, then push the cap screw through the washer, the bumper and the bumper brackets. Place one of the remaining locknuts retained in Step 1 onto the cap screw and hand tighten. Repeat for the other side.



11. Tighten fasteners according to the torque chart, in the order indicated below.



NOTE: After five to ten hours of snowplow usage, retorque all mount assembly fasteners.



Western Products
PO Box 245038
Milwaukee, WI 53224-9538
www.westernplows.com

 A DIVISION OF DOUGLAS DYNAMICS, L.L.C.

Western Products reserves the right under its product improvement policy to change construction or design details and furnish equipment when so altered without reference to illustrations or specifications used. Western Products or the vehicle manufacturer may require or recommend optional equipment for snow removal. Do not exceed vehicle ratings with a snowplow. Western Products offers a limited warranty for all snowplows and accessories. See separately printed page for this important information. The following are registered (®) or unregistered (™) trademarks of Douglas Dynamics, L.L.C.: UltraMount®, WESTERN®, WIDE-OUT™.

Printed in U.S.A.