



**WESTERN PRODUCTS**  
 7777 NORTH 73RD STREET  
 P.O. BOX 23045  
 MILWAUKEE, WISCONSIN 53223

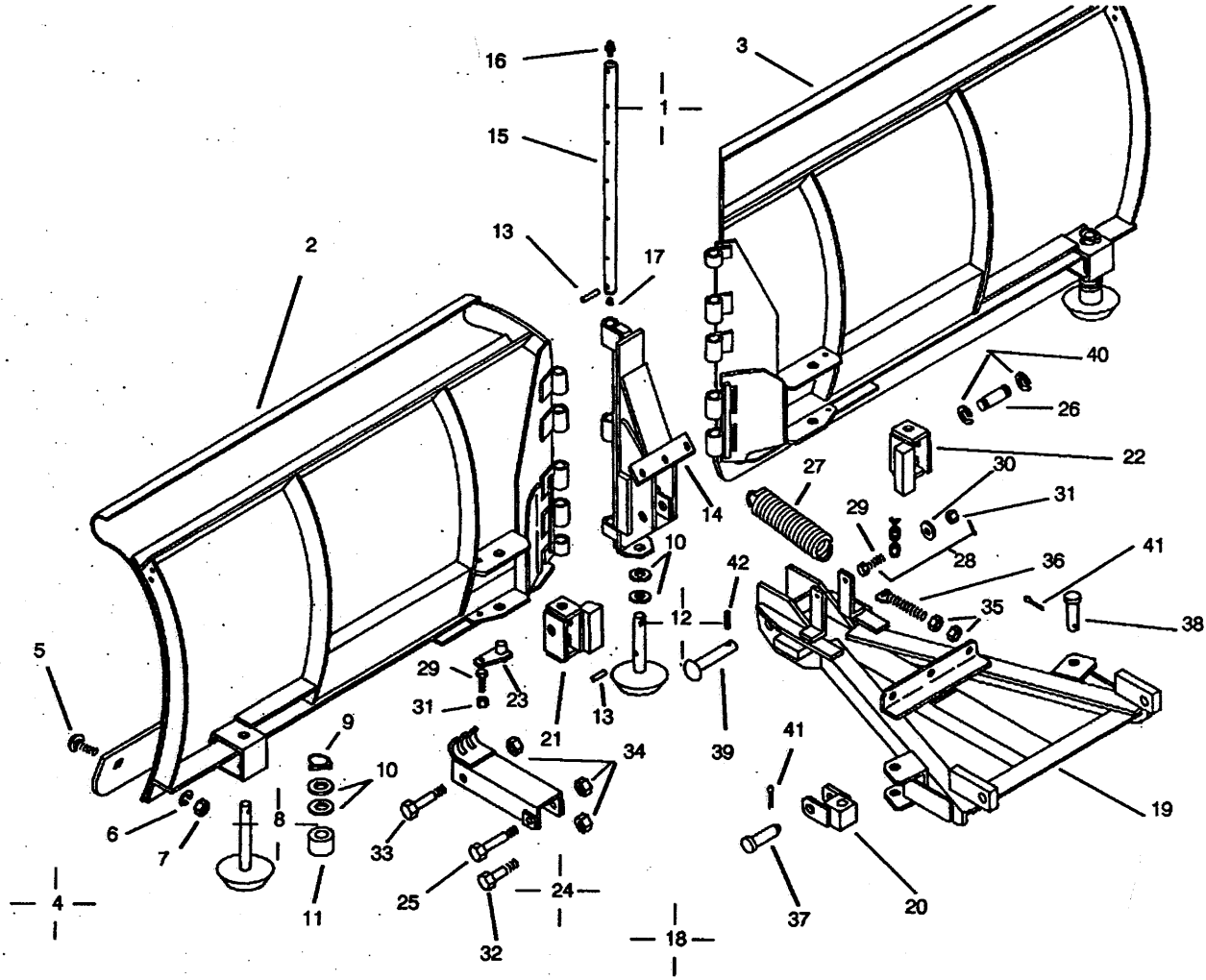


A DIVISION OF DOUGLAS DYNAMICS, INC.

**TRI-PLOW**

Blade, A-Frame,  
 and Lift Channel

**DIAGRAM AND PARTS LIST**



ITEM	PART NO.	QTY.	DESCRIPTION
1	60950	1	8-1/2 Ft. Blade & Mast Assembly - TRI-PLOW
2	61015	1	Blade Assembly - Driver Side - 8-1/2 Ft.
3	61005	1	Blade Assembly - Curb Side - 8-1/2 Ft.
4	49212	2	Cutting Edge Assembly 8-1/2 Ft. (1 Required for each blade half.)
5	90238	5	Carriage Bolt - 1/2"-13 x 1-3/4" Long - Grade 8
6	91205	5	Lock Washer - 1/2"
7	91415	5	Hex Nut - 1/2"-13
8	49071	2	Disc Shoe Assembly - Heavy Duty
9	93010	1	Linch Pin
10	91109	13	Flat Washer - 1" SAE
11	60045	1	Spacer
12	49213	1	Tri-plow Center Shoe Kit
10	91109	11	Flat Washer - 1" SAE
13	91882	1	Roll Pin - 1/4" x 1-1/4" Long - Coiled Type
14	60947	1	Mast
15	61016	1	Hinge Pin
16	92117	1	Grease Fitting
17	92071	1	Hex Socket Head Pipe Plug - 1/8" NPTF
13	91882	2	Roll Pin 1/4" x 1-1/4" Long - Coiled Type
18	60945	1	A-Frame Box Assembly - TRI-PLOW
19	60946	1	TRI-PLOW A-Frame
20	60974	2	U-Joint
21	60970	1	Pivot Yoke - Driver Side

ITEM	PART NO.	QTY.	DESCRIPTION
22	61062	1	Pivot Yoke - Curb Side
23	60977	4	Pin Unit
24	49215	1	Lift Channel Assembly
25	90160	1	Capscrew - 3/4"-10 x 4-1/2" Long - Grade 5
26	61018	2	Pin
27	23039	3	Trip Spring
28	49214	1	Replacement Chain Assembly - 72"
29	90061	2	Capscrew - 3/8"-16 x 1-1/2" Long - Grade 5
30		2	Flat Washer - 3/8"
31	91333	2	Locknut - 3/8"-16
29	90061	4	Capscrew - 3/8"-16 x 1-1/2" Long - Grade 5
32	90159	1	Capscrew - 3/4"-10 x 3-1/2" Long - Grade 5
33	90161	1	Capscrew - 3/4"-10 x 4" Long - Grade 5
31	91333	4	Locknut - 3/8"-16
34	91338	3	Locknut - 3/4"-10
35	91416	6	Hex Nut - 5/8"-11
36	90490	3	Eyebolt - 5/8"-11 x 4"
37	93079	2	Rivet - 1" x 3-1/2"
38	93077	2	Rivet - 1" x 4"
39	93080	1	Rivet - 1" x 5"
40	61019	4	Retaining Ring - External
41	91911	4	Cotter Pin - 5/32" x 1-1/2"
42	92005	1	Groove Pin - 3/16" X 1-3/4"