



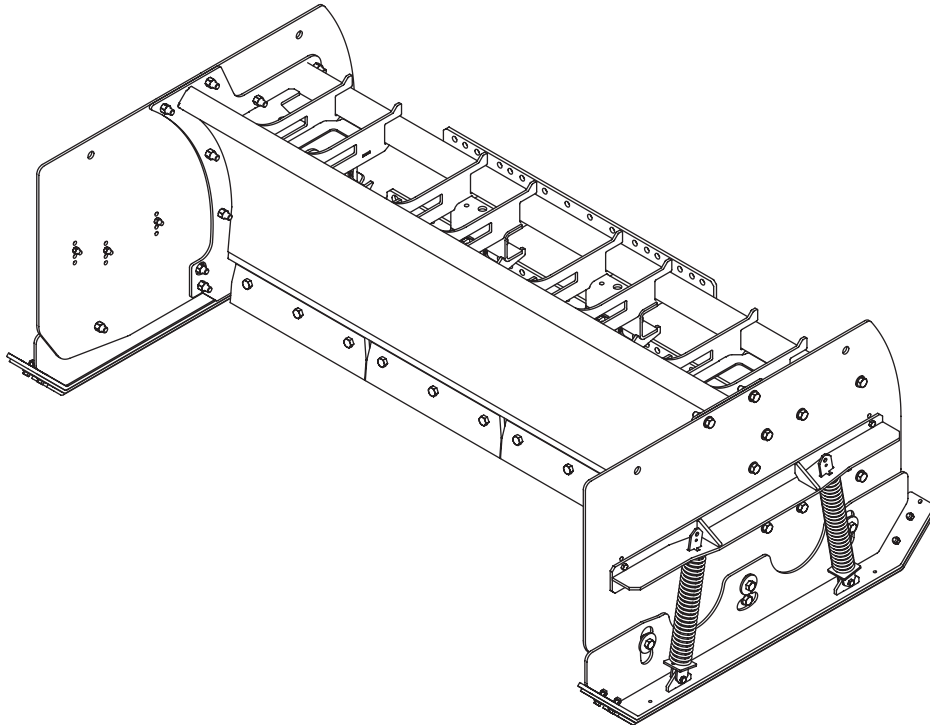
# ***PILE DRIVER™***

## **PILE DRIVER™ Snowplow**

**30708, 31616, 30710, 32016, 30712**

**TRACE™ Trip Edge Pusher Plow**

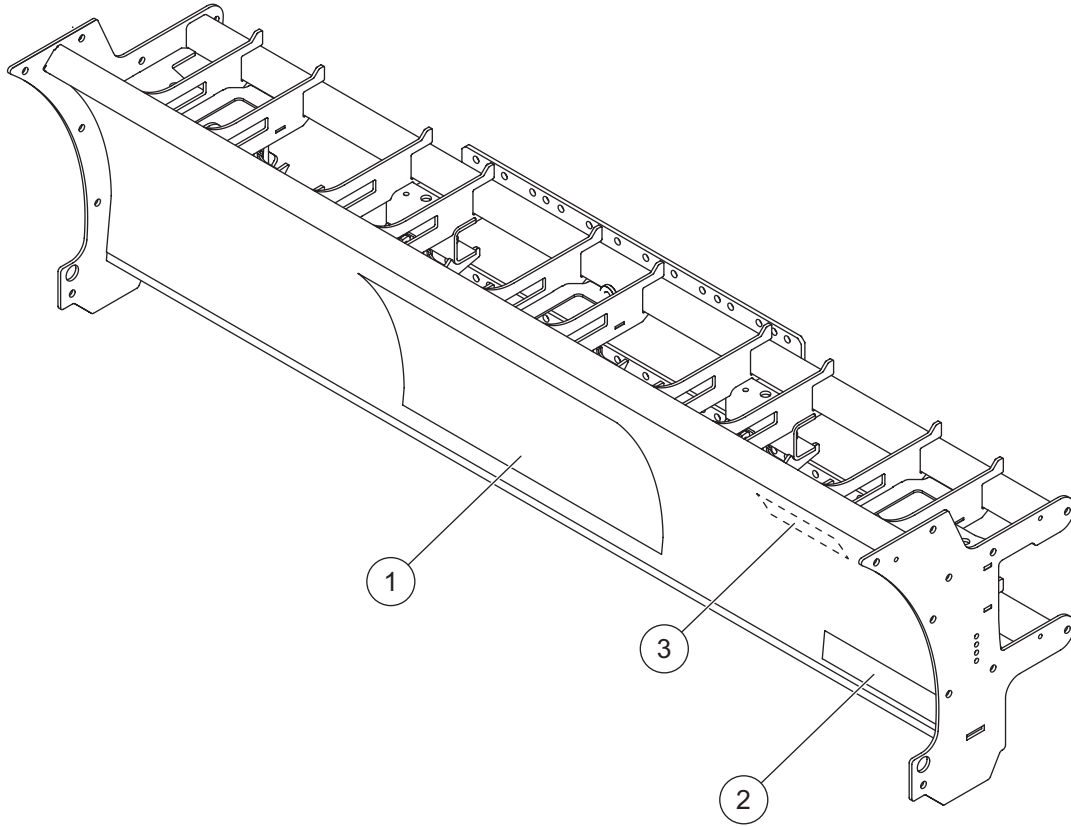
### **Parts List**



# PILE DRIVER™ BLADE

---

## Blade Components



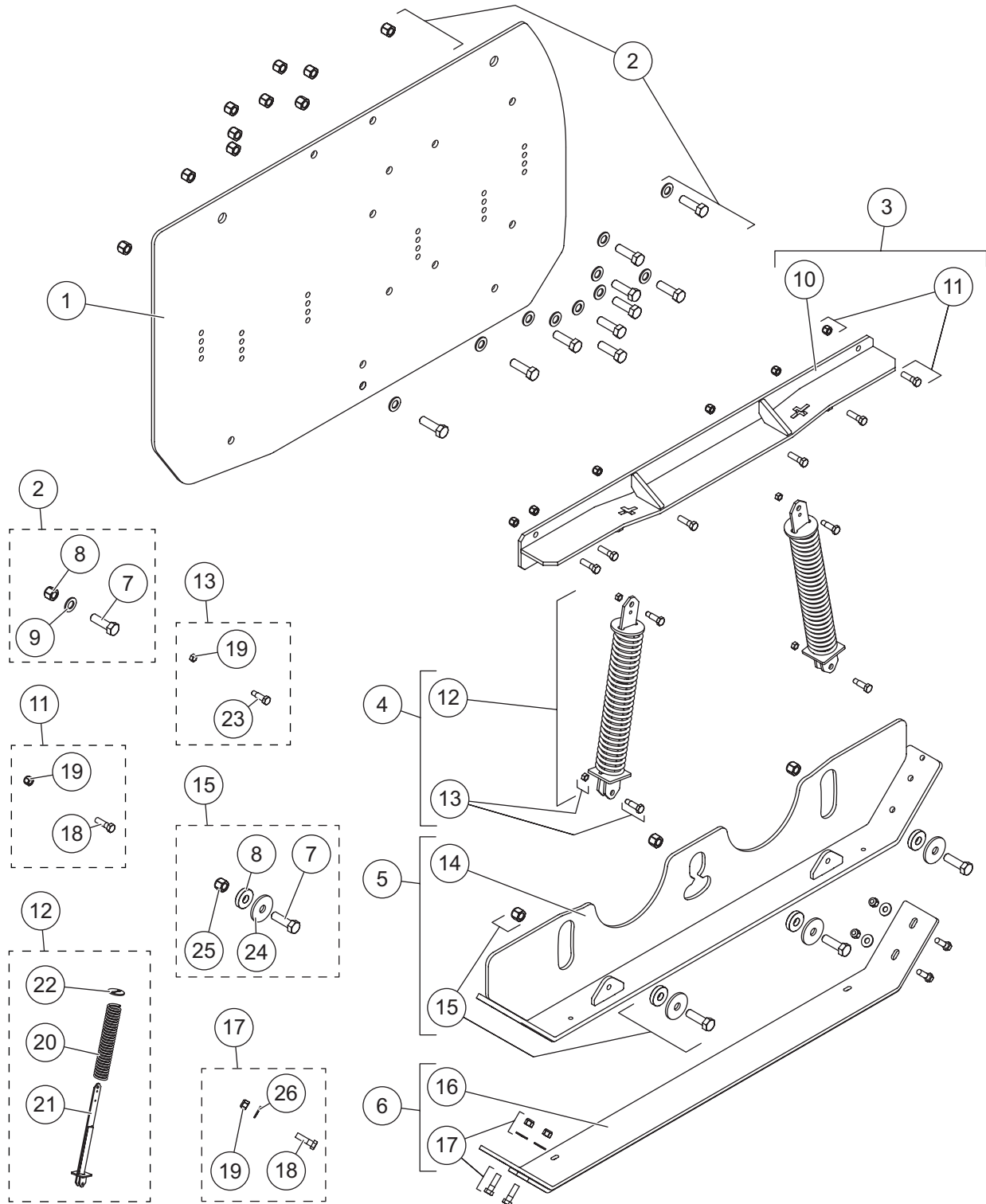
# PILE DRIVER™ BLADE

<b>Blades</b>			
<b>Length</b>	<b>Height</b>	<b>Pusher Plow Model</b>	<b>Blade Kit</b>
8'	30"	31616	81465
8'	36"	30708	81473
10'	30"	32016	81466
10'	36"	30710	81474
12'	42"	30712	81475

<b>30708/31616/30710/32016/30712 Blade Components</b>							
<b>Item</b>	<b>Part</b>	<b>Qty</b>	<b>Description</b>	<b>Item</b>	<b>Part</b>	<b>Qty</b>	<b>Description</b>
<b>81465 8' 30" Blade Kit</b>							
	81770	1	8' 30" Blade	2	31220	1	Label – Logo, TRACE™ White SM
1	31211	1	Label – Logo, PILE DRIVER SM	3	31225	1	Label – Logo, TRACE White Text
<b>81473 8' 36" Blade Kit</b>							
	81777	1	8' 36" Blade	2	31220	1	Label – Logo, TRACE White SM
1	31212	1	Label – Logo, PILE DRIVER MD	3	31225	1	Label – Logo, TRACE White Text
<b>81466 10' 30" Blade Kit</b>							
	81771	1	10' 30" Blade	2	31220	1	Label – Logo, TRACE White SM
1	31211	1	Label – Logo, PILE DRIVER SM	3	31225	1	Label – Logo, TRACE White Text
<b>81474 10' 36" Blade Kit</b>							
	81778	1	10' 36" Blade	2	31220	1	Label – Logo, TRACE White SM
1	31212	1	Label – Logo, PILE DRIVER MD	3	31225	1	Label – Logo, TRACE White Text
<b>81475 12' 42" Blade Kit</b>							
	81779	1	12' Blade	2	31221	1	Label – Logo, TRACE White LG
1	31213	1	Label – Logo, PILE DRIVER LG	3	31225	1	Label – Logo, TRACE White Text
ns = not shown							

# PILE DRIVER™ SIDE PLATES

## Side Plate Components



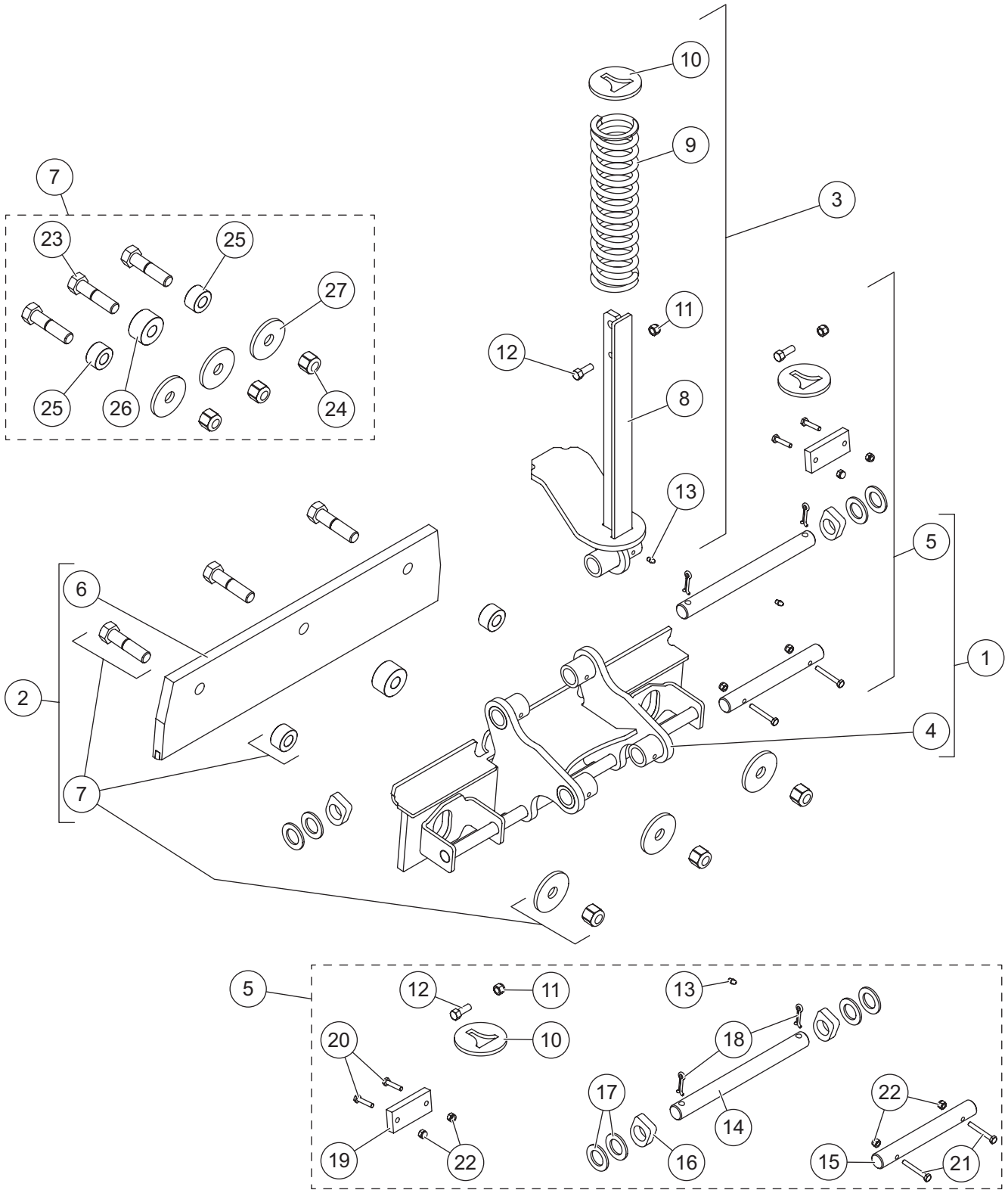
## PILE DRIVER™ SIDE PLATES

30708/31616/30710/32016 Side Plate Components				
Part	Description	Side Plate Part	Label Part	Label Description
81502	Side Plate Kit, 30" – DS	81784	31044	Label – Logo, WESTERN® LG
81505	Side Plate Kit, 36" – DS	81787	31044	Label – Logo, WESTERN LG
81508	Side Plate Kit, 42" – DS	81792	31044	Label – Logo, WESTERN LG
81591	Side Plate Kit, 30" – PS	81784	31044	Label – Logo, WESTERN LG
81594	Side Plate Kit, 36" – PS	81787	31044	Label – Logo, WESTERN LG
81596	Side Plate Kit, 42" – PS	81792	31044	Label – Logo, WESTERN LG

81502/81505/81508/81591/81594/81596 Side Plate Kits							
Item	Part	Qty	Description	Item	Part	Qty	Description
1		1	Side Plate	5	79968	1	Pivot Shoe Kit
2	81522	1	Bolt Bag – Side Plate	6	79823	1	Wear Shoe Kit
3	79957	1	Spring Bracket Kit	ns		1	Label – Logo, WESTERN
4	79962	2	Spring Kit with Bolts				
<b>Item 2 81522 Bolt Bag – Side Plate</b>							
7		10	3/4-10 x 2-1/2 Hex Cap Screw G5	9		10	3/4 Flat Washer, Type A Narrow
8		10	3/4-10 Hex Locknut GB				
<b>Item 3 79957 Spring Bracket Kit</b>							
10	83237	1	Side Spring Bracket	11	79958	1	Bolt Bag – Spring Bracket Kit
<b>Item 4 79962 Spring Kit with Bolts</b>							
12	81700	1	Spring Assembly Kit	13	79963	2	Bolt Bag – Spring Kit
<b>Item 5 79968 Pivot Shoe Kit</b>							
14	89442	1	Pivot Shoe	15	79971	1	Bolt Bag – Pivot Shoe Kit
<b>Item 6 79823 Wear Shoe Kit</b>							
16	86974	1	Wear Shoe	17	79824	1	Bolt Bag – Wear Shoe Kit
<b>Item 11 79958 Bolt Bag – Spring Bracket Kit</b>							
18		6	1/2-13 x 1-3/4 Hex Cap Screw G5	19		6	1/2-13 Hex Locknut GB
<b>Item 12 81700 Spring Assembly Kit</b>							
20	50572	1	Trip Spring – 42.5 lb/in	22	20191	1	Disc, Spring, Uncoated
21	81751	1	Spring Bar – Blk				
<b>Item 13 79963 Bolt Bag – Spring Kit</b>							
19		1	1/2-13 Hex Locknut GB	23		1	1/2-13 x 2 Hex Cap Screw G5
<b>Item 15 79971 Bolt Bag – Pivot Shoe Kit</b>							
7		3	3/4-10 x 2-1/2 Hex Cap Screw G5	24	86999	3	Stopper Plate
8		3	3/4-10 Hex Locknut GB	25	89446	3	Bushing, Spacer 2 x 0.78125 x 0.44
<b>Item 17 79824 Bolt Bag – Wear Shoe Kit</b>							
18		4	1/2-13 x 1-3/4 Hex Cap Screw G5	26		4	1/2 Flat Washer, Type B Regular
19		4	1/2-13 Hex Locknut GB				
ns = not shown							G = Grade

# TRACE™ TRIP EDGE

## TRACE Trip Edge Components



# TRACE™ TRIP EDGE

Length	Height	Pusher Plow	TRACE Trip Edge
		Model	Qty
8'	30"	31616	4
8'	36"	30708	4
10'	30"	32016	5
10'	36"	30710	5
12'	42"	30712	6

<b>30708/31616/30710/30712/32016 TRACE Trip Edge Components</b>							
Item	Part	Qty	Description	Item	Part	Qty	Description
1	79964*	1	TRACE Trip Edge Kit	3	79986†	1	TRACE Spring Bar Kit
2	79966†	1	TRACE Cutting Edge Kit				
<b>Item 1</b>				<b>79964* TRACE Trip Edge Kit</b>			
4	89984	1	Base Angle	5	79965	1	Bolt Bag – Trip Edge
<b>Item 2</b>				<b>79966† TRACE Cutting Edge Kit</b>			
6	87999	1	TRACE Cutting Edge with Inserts	7	79967	1	Bolt Bag – TRACE Cutting Edge
<b>Item 3</b>				<b>79986† TRACE Spring Bar Kit</b>			
8	89993	1	Spring Bar	11		1	3/8-16 Hex Locknut GB
9	5323	1	Trip Spring – 143 lb/in	12		1	3/8-16 x 1 Hex Cap Screw G5
10	89992	1	Spring Plate	13		1	Grease Fitting
<b>Item 5</b>				<b>79965 Bolt Bag – Trip Edge</b>			
10	89992	1	Spring Plate	17	91192	4	Flat Washer Special
11		1	3/8-16 Hex Locknut GB	18		2	1/4 x 1-1/2 Cotter Pin
12		1	3/8-16 x 1 Hex Cap Screw G5	19	89900	1	Spring Cartridge Guide
13		1	Grease Fitting	20		2	1/4-20 x 1-1/4 Hex Cap Screw G5
14	86989	1	1 x 11.125 Rod, Lower	21		2	1/4-20 x 2 Hex Cap Screw G8
15	89986	1	Pivot Pin, Lower	22		4	1/4-20 Hex Locknut GB
16	89985	2	Bearing Block				
<b>Item 7</b>				<b>79967 Bolt Bag – Cutting Edge</b>			
23		3	3/4-10 x 3 Hex Cap Screw G5	26	86998	1	Bushing, Edge, Large
24		3	3/4-10 Hex Locknut	27	86999	3	Stopper Plate
25	86997	2	Bushing, Edge, Small				
G = Grade							

\* Single trip edge per kit.

† Single cutting edge per kit.

‡ Single spring bar per kit.



Western Products  
PO Box 245038  
Milwaukee, WI 53224-9538  
[www.westernplows.com](http://www.westernplows.com)

 A DIVISION OF DOUGLAS DYNAMICS, LLC

Copyright © 2023 Douglas Dynamics, LLC. All rights reserved. This material may not be reproduced or copied, in whole or in part, in any printed, mechanical, electronic, film, or other distribution and storage media, without the written consent of Western Products. Authorization to photocopy items for internal or personal use by Western Products outlets or snowplow owner is granted.

Western Products reserves the right under its product improvement policy to change construction or design details and furnish equipment when so altered without reference to illustrations or specifications used. Western Products or the vehicle manufacturer may require or recommend optional equipment for snow removal. Do not exceed vehicle ratings with a snowplow. Western Products offers a limited warranty for all snowplows and accessories. See separately printed page for this important information. The following are registered (®) or unregistered (™) trademarks of Douglas Dynamics, LLC: PILE DRIVER™, TRACE™, WESTERN®.

**Printed in U.S.A.**